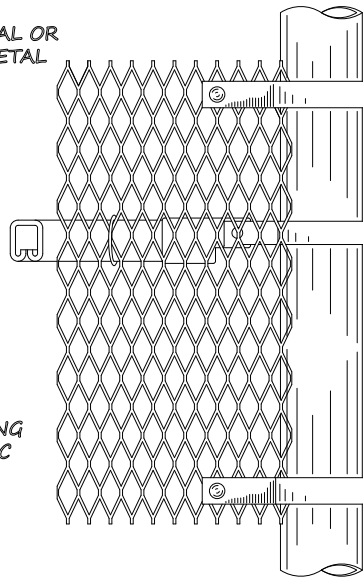
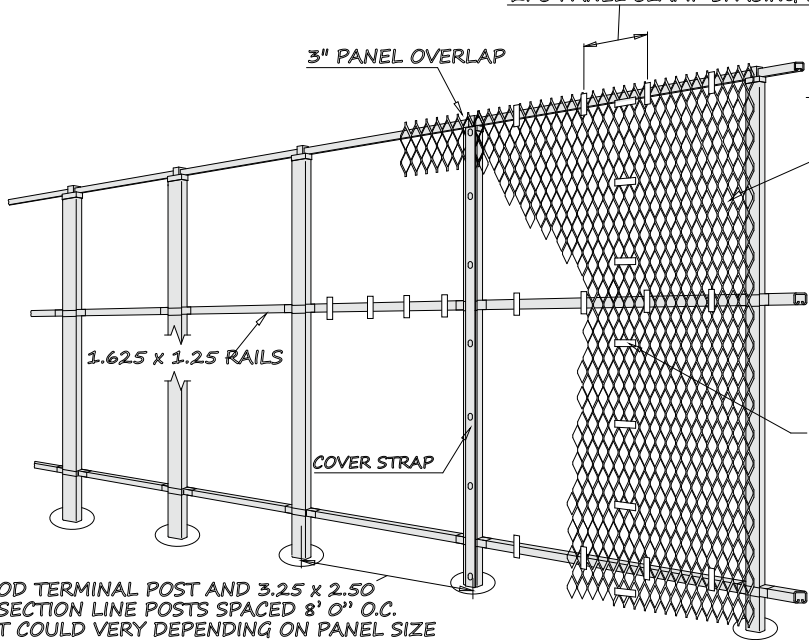


2PC PANEL CLAMP SPACING 12" TO 18"

3" PANEL OVERLAP

1"-7 EXPANDED METAL OR
3/4"-9 EXPANDED METAL
REVERSED DIAMOND



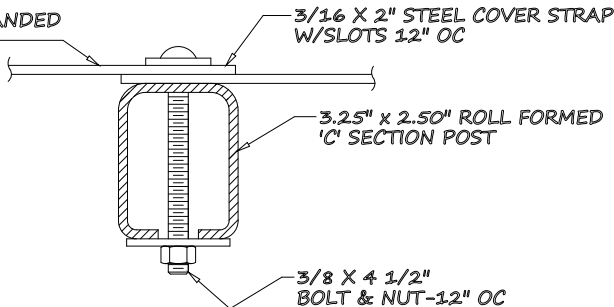
CORNER CONNECTION

4" OD TERMINAL POST AND 3.25 x 2.50
'C' SECTION LINE POSTS SPACED 8' 0" O.C.
BUT COULD VARY DEPENDING ON PANEL SIZE

3" OVERLAP ON EXPANDED
METAL PANELS

3/16 X 2" STEEL COVER STRAP
W/SLOTS 12" OC

3.25" x 2.50" ROLL FORMED
'C' SECTION POST



ITEM	QNTY	DESCRIPTION		MACHINING TOLERANCES		MATERIAL	
				UNDER 18"	18" AND OVER	± 1/32	± 1/16
SCALE	NONE	CHK'D BY	DTM	± 0.030	± 0.015	ALL MACHINED SURFACES 133	BREAK ALL SHARP EDGES
DWN BY	DTM08-10-17	APP'D BY		± 0.005	± 1/48		

SUPER 'C' - w/o BARB WIRE, ROUND TERM. COVER STRAPS (EXPANDED METAL)

CAD FILENAME:
FENCE 4-6
LAST PLOT DATE:
08/10/17

GREGORY
FENCE

4100 13th Street SW
Canton, Ohio 44710

REF. No.
DRWG No.

FENCE 4-6