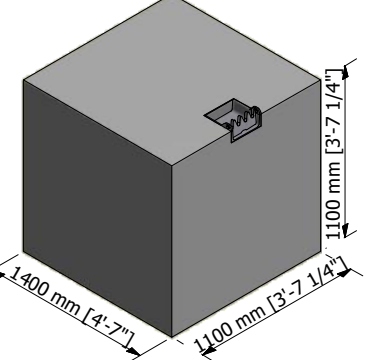


Concrete anchor (D-3017)

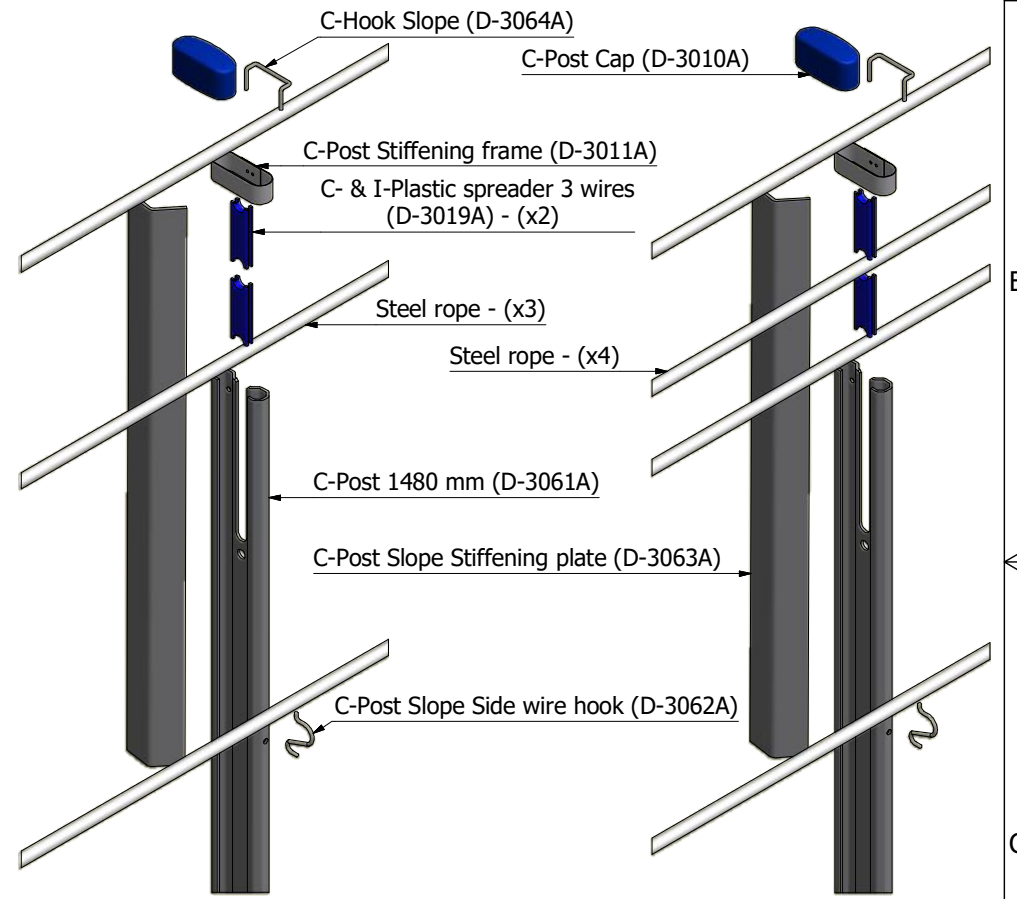


- End anchors can either be cast on site or prefabricated.
- Anchors are to be aligned with wire rope safety fence.
- Embedded wire fitting are to be placed at ground level, be placed horizontally at the side of the road and follow the slope of the road longitudinally.
- Backfilling around end anchors are to be done with gravel, which is vibrated.
- Anchors are to be well covered.

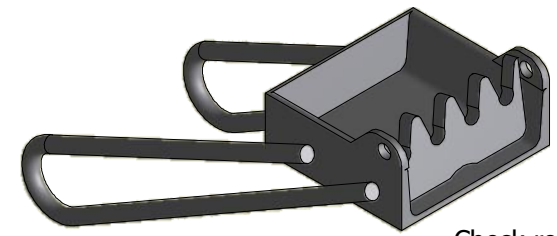
NCHRPS 350 4:1 Slope		
Post	Post distance	Working width
D-3061A	16 ft (4.88 m)	8.6 ft (2.6 m)

SAFENCE 3RC-Slope-10

SAFENCE 4RC-Slope-10



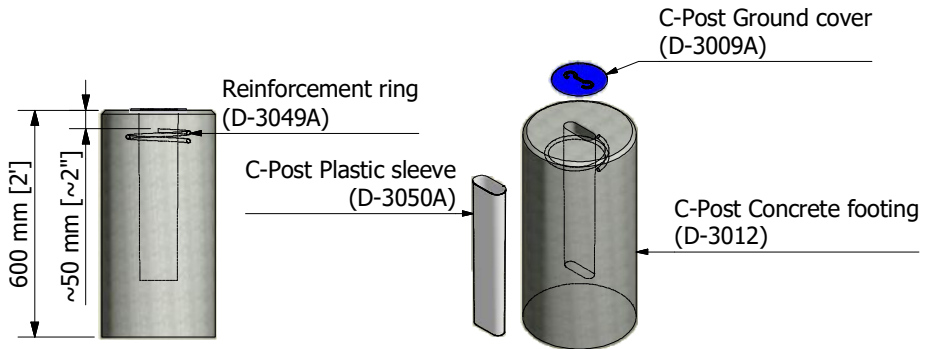
Anchor embed wire fitting (D-3018A)



Wire fitting (D-3023A)



Concrete footing

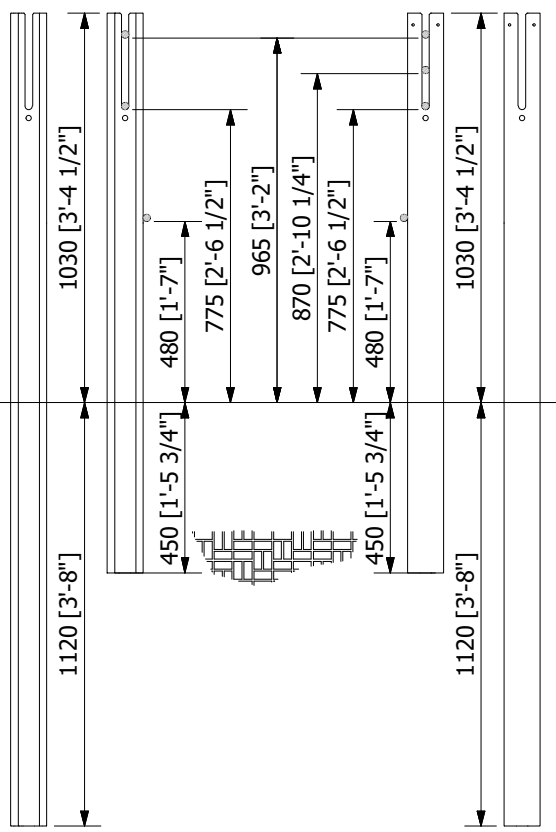


Footings casted on site implies a need of C-Plastic sleeve (D-3050A).

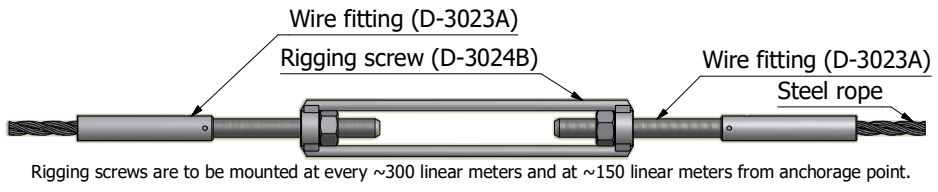
Check rope and Safety shackle (D-3028A)



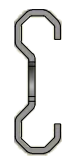
SAFENCE 3RC-Slope SAFENCE 4RC-Slope



Rigging screw assembly



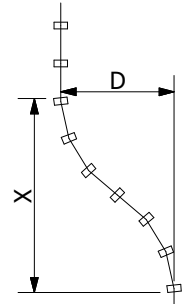
C-Post profile (D-3061A)



Tensioning table				
T [°C]	T [F]	[lbf]	[kp]	[kN]
-10	14	6 400	2 900	28,4
0	32	5 750	2 600	25,5
+10	50	5 050	2 300	22,5
+20	68	4 400	2 000	19,6
+30	86	3 750	1 700	16,7

Lateral movement

Lateral movement to bypass obstacles (bridge piers etc.) are to be conducted gradually to prevent wire rope fence posts from being exposed to very high transverse forces.



Mounting in horizontal curves:  
Mounting is not recommended in horizontal curves with a radius < 400 m. If needed please contact Safence, Inc.

Mounting in vertical curves:  
Mounting should not be executed in depressions with a radius < 1 200 m.

Lateral movement, D [m]:	0,5	1,0	1,5	2,0
Transition distance, X [m]:	40	50	60	70

Drawn RDS	Date 2012-05-02	Acceptance standard NCHRPS 350	Units mm [ft-in]	Sheet size A3
<b>Safence, Inc.</b> 1557 Ballard Way Seattle, Washington 98107 USA		Name SAFENCE 3RC-Slope-10, 4RC-Slope-10		
Drawing no. SRB-3003-imp		Type 4:1 Slope system for 3 and 4 cables	Rev	

Safence, Inc. accepts no liability for any changes made to enclosed drawings and documents of SAFENCE Wire Rope Safety Barrier system and terminal. These drawings are only to be used by State designers and engineers and may not be altered. Safence, Inc. is not responsible for any modifications or changes to the enclosed documents.