



G-STRUT®
4100 13th Street SW
Canton, Ohio 44710
330-477-4800
1-866-997-8788
Fax 330-477-0626
strut@gregorycorp.com
www.gstrut.com

1

PICTORIAL INDEX

2

CLAMPS

3

SADDLE / SUPPORTS

4

SWIVEL HANGERS

5

CLEVIS HANGERS

6

PIPE & RISER CLAMPS

7

ROLLER SUPPORTS & STRAPS

8

CLEVIS HANGER ACCESSORIES

9

FITTINGS & ACCESSORIES

10

CROSS REFERENCE

Table of Contents

Section i – Introduction

- Company Information 4
- Finishes 5
- Terms & Conditions 6
- Ordering Information 7

Section 1 - Pictorial Index..... 8

Section 2 – Clamps

- Beam Clamps 18
- Purlin Clamps 20
- Rod Clamps..... 21
- Pipe Alignment Guides 22
- Retaining Straps..... 27
- C-Clamps..... 29
- Malleable Beam Clamps 32
- Center Load Beam Clamps 33

Section 3 – Saddle/Supports

- Pipe Saddle Supports 40
- Threaded Base Stands..... 48
- Pipe Support Adjusters 49
- Wall Brackets..... 50

Section 4 – Swivel Hangers 53

Section 5 – Clevis Hangers..... 63

Section 6 – Pipe & Riser Clamps

- Riser Clamps..... 77
- Insulation Shields..... 86
- Felt Insulators 92
- Surge Restraint..... 94

Section 7 – Roller Supports & Straps

- Pipe Rollers 96
- J-Hook Straps 109
- Pipe Straps 110

Section 8 – Clevis Hanger Accessories 113

Section 9 – Fittings & Accessories 135

Section 10 – Cross Reference..... 149



The complete package...

in

Metal Framing Systems

Gregory Industries has been in operation for over 100 years...dedicated to the highest product standards and performance. Our company is unique among strut manufacturers in that we control the entire strut manufacturing process. At Gregory, we start with mill produced black hot-rolled steel master coils...slit the coils in preparation for processing...continuous pickle and galvanize on our own specialty line...roll form and in-line punch...and package and ship. At Gregory our philosophy is straightforward and simple:

***FURNISH THE BEST QUALITY PRODUCTS,
WITH THE BEST OF CUSTOMER SERVICE,
AND AT THE BEST POSSIBLE PRICE.***

Finishes

Comprehensive list of available coatings/material types for G-FORCE® PIPE HANGERS & SUPPORTS

Pre-Galvanizing:

A zinc coating is applied by hot-dipping the steel coil on Gregory's specialty continuous galvanizing line. The channel is roll-formed, cut and/or punched as specified in conformance to ASTM 1011 for hot-rolled steel and ASTM 653 for hot-dipped pre-galvanizing, with a G-90 coating (0.90 ounces of zinc per square foot of steel).

Hot-Dipped Galvanized:

The material is zinc coated after fabrication providing an extra heavy total product protection on all surfaces. The channel is pretreated, pickled, and then dipped into tanks of molten zinc, creating an electrolyzed bond. HDG provides superior corrosion resistance for highly corrosive exterior applications as compared to pre-galvanized material. **G-STRUT®** hot-dipped galvanized is in conformance with ASTM A-123 specification.

Galvannealed:

A zinc coating is applied by pre-galvanizing the steel coil on Gregory's specialty continuous galvanizing line. The coil then passes through an additional heat induction process, creating a matted gray finish with an all alloy coating the is designed for its paintability. Galvannealed **G-STRUT®** is easily painted post-installation without costly pre-treatment.

Powder Coat or Electro Deposition

Coating (Green):

Electro-deposition coating, or E-Coat, uses electricity to deposit a smooth, thin, uniform layer of epoxy resin coating on the surface of a metal part. Powder coating electrostatically applies a uniform dry polyester powder to the metal surface. Both methods utilize an "oven-baked" durable painted finish. **G-STRUT®** is also available in custom colors.

Electro-galvanized:

Electro-galvanized, or "zinc plated," combines the steel and .5 mils of zinc that form a bond by an electrolysis process. Electro-galvanizing is most commonly applied to **G-STRUT'S®** small fittings and hardware.

Aluminum:

G-STRUT® channel is available in extruded Aluminum Alloy suitable for a variety of applications.

Black/Plain:

A plain finish is pickled, hot-rolled carbon steel with a light oil finish. There is no protection against red rust.

Yellow Zinc Dichromate (Gold):

The pickled and oiled fabricated part is immersed in an Electro-zinc plated bath and sealed with a yellow zinc dichromate creating a protective, iridescent yellow finish.

PVC Coated:

A polyvinyl chloride (PVC) plastic coating is bonded to the channel or accessory by immersing the part in fluid PVC tanks. PVC can be applied over galvanized or plain steel without costly pre-treatment.

Stainless:

G-STRUT® channel is supplied in type 304 stainless steel. Type 316 stainless steel is also available upon request.

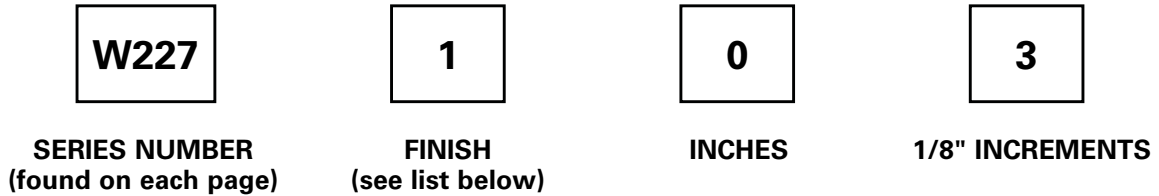
GREGORY INDUSTRIES TERMS AND CONDITIONS OF SALE

1. These terms and conditions ("TCA") shall, along with the quantities and price reflected in any material quote or order ("Quote") or ("Order"), constitute the complete understanding between Gregory Industries, Inc. ("Gregory") and Purchaser and shall supersede any and all prior terms and conditions, negotiations or other written and oral agreements. Unless specifically noted otherwise, in the event of any ambiguity between this TCA and any Order or Quote, the TCA shall govern.
2. This TCA shall be deemed accepted and agreed upon in full upon the either the written acceptance of the TCA, the receipt and acceptance of any goods delivered pursuant to the TCA or the payment for any goods shipped under the TCA whichever is the first to occur.
3. Gregory hereby excludes, rejects and disavows any and all non-conforming or differing terms, conditions or qualifications contained within any Purchaser order, quote or any other form of confirmatory memorandum, regardless of when or in what order such non-conforming or differing terms were delivered or offered to Gregory.
4. Each and every term set forth herein shall be deemed material and germane to the transaction. This TCA and any Order or Quote may not be modified by Purchaser in any respect and may only be modified by a writing signed by Gregory This TCA and any Quote or Order shall not be subject to either oral modification or modification by conduct.
5. All payments are due within 30 days of the date of invoice ("Net 30") unless an extended term is agreed upon in a writing signed by a Gregory authorized representative. All payments beyond Net 30 shall be subject to compounding interest charges of .75%/month. Gregory reserves the right to suspend all performance if payment is later than Net 30 and also reserves the right to accept late payments at its sole discretion. No acceptance of any payment later than Net 30 shall be deemed to waive any right or future rights that Gregory may otherwise have to cancel or suspend its future performance.
6. Any Quote shall expire and be deemed revoked 30 calendar days after delivery of the Quote, unless otherwise specified, if there is no act of acceptance as such is defined in paragraph 2 herein. Delivery shall be deemed made upon the transmission by Gregory, by any means, of a Quote.
7. Any Quote which is delivered to Gregory and accepted by Gregory may only be changed or altered with the express written consent of Gregory.
8. All prices quoted herein are subject to change at the sole discretion of Gregory based upon the prevailing steel and related supplies markets. Gregory shall provide purchaser three (3) business days' written notice of any such price change.
9. This agreement shall be deemed made in Stark County, Ohio and any dispute herein shall be governed by the laws of the state of Ohio and the venue for any action or proceeding arising in any respect between Gregory and Purchaser shall be in either the state or federal court situated in Stark County, Ohio. Should any portion of this paragraph be deemed unenforceable then only such portion deemed unenforceable shall be struck.
10. In the event that Gregory has to employ attorneys to either enforce its rights, defend its rights or to seek payment or any other remedy available at law or equity, then purchaser agrees to pay for all attorneys' fees and costs expended by Gregory in any such action regardless of the outcome.
11. This TCA and the underlying materials quote shall be subject to termination at the convenience of Gregory without any further obligation whatsoever on the part of Gregory
12. In the event of any breach or allegation of breach on the part of Gregory, the only damages for which Gregory may be held responsible shall be the cost of any cover (as defined by the Uniform Commercial Code) for a period of thirty (30) calendar days from the alleged date of breach. Gregory hereby disclaims and purchaser hereby waives any and all other damages whether arising under contract, tort or statute including but not limited to damages arising from alleged delay, non-delivery, lost profits, lost commercial expectancy, reputation or any other type or theory of damages.
13. Gregory reserves the right, at any point in time to request information concerning bonding, information related to mechanics' lien rights, or information related to the financial strength of purchaser. Such information shall, if requested by Gregory, shall be provided by purchaser within three (3) business days of any request. Failure to provide such information shall constitute a material breach.
14. Upon any act of breach, Gregory shall have the right to repossess product delivered, sue for all amounts due including attorneys fees as provided herein, suspend any further performance and or cancel any and all existing agreements without any further obligation by Gregory.
15. Gregory agrees to deliver the agreed product within the time specified in the Quote or Order or a soon as is commercially reasonable. Unless otherwise specifically noted, all deliveries are F.O.B. at Gregory loading docks. If shipped freight prepaid, the charge for freight will be added to the invoice. Risk of loss or damage shall be borne by purchaser and claims made directly with carrier.
16. **Gregory hereby disclaims any implied or express warranty or merchantability or fitness for an intended or any particular purpose. Gregory represents that the product shall reasonably conform to applicable federal and state specifications and Gregory will provide necessary material test reports representing such.**
17. Any and all claims for damaged, defective, nonconforming material or claims of shortages shall be made in writing to Gregory within 24 hours of delivery to Purchaser or such claims are deemed to be affirmatively waived.
18. Should any term or condition set forth herein be deemed by a court of competent jurisdiction to be unenforceable, then All other terms shall survive such ruling and shall be deemed to govern the parties' relationship.

G-FORCE® HANGER PART NUMBERING SYSTEM

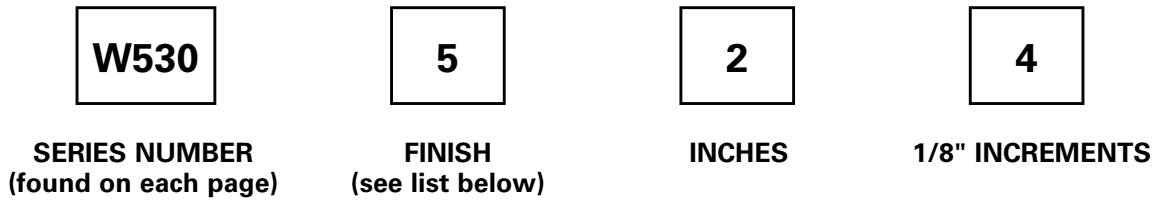
ORDERING and UNDERSTANDING PRODUCT CODES

[EXAMPLE PAGE]



EXAMPLE:

W227103 or Centered Load Beam Clamp, Plain 3/8" rod size

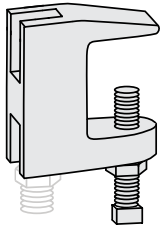


EXAMPLE:

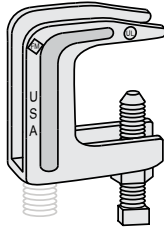
W530524 or Iron Pipe Riser Clamp, PVC Coated, 2-1/2" pipe size

AVAILABLE FINISH CODES:

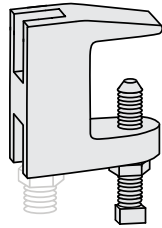
0. Stainless Steel (316)
1. Plain - Steel
2. Electro-Galvanized
3. Copper
4. Pre-Galvanized
5. PVC Coated
6. Yellow Chromate Galvanized
7. Fiberglass
8. Stainless Steel (304)
9. Hot Dipped Galvanized
10. Copper Finish with PVC Coating
11. Prime Painted
12. Pre-Galvanized with Felt
13. Plain with Felt
14. Electro-Galvanized with Felt
15. Electro-Galvanized with PVC



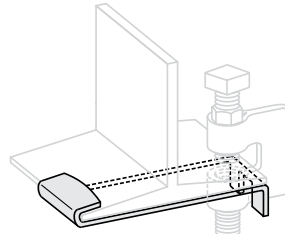
Series W100
UNIVERSAL
BEAM CLAMP
-MALLEABLE-
PAGE 18



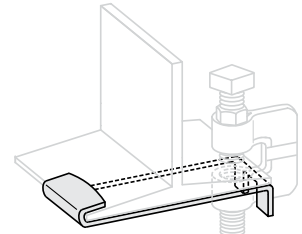
Series W105
SILVERHAWK
BEAM CLAMP
PAGE 20



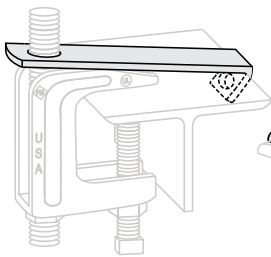
Series W110
WIDE THROAT
BEAM CLAMP
-MALLEABLE-
PAGE 19



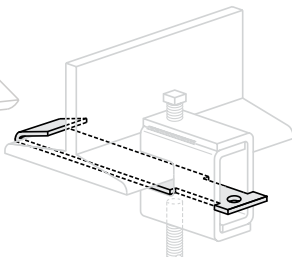
Series W115
RETAINING STRAP
PAGE 27



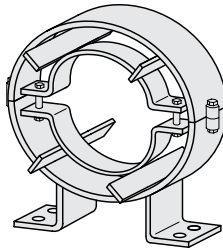
Series W116
RETAINING STRAP
PAGE 27



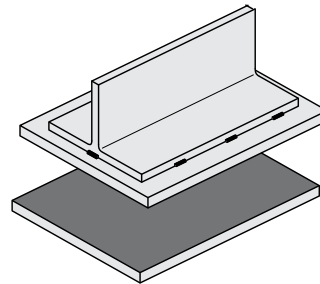
Series W117
RETAINING STRAP
PAGE 28



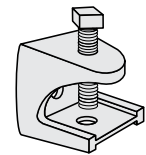
Series W118
RETAINING STRAP
PAGE 28



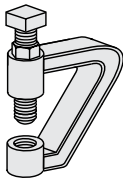
Series W120
PIPE ALIGNMENT GUIDE
PAGE 22 & 23



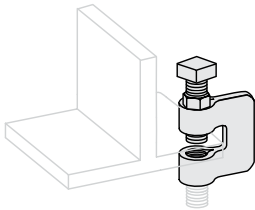
Series W121 - W127
PIPE SLIDE ASSEMBLY
PAGE 24-26



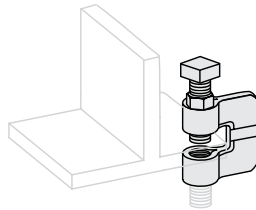
Series W130
ROD or INSULATOR
PAGE 21



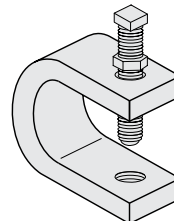
Series W140
PURLIN CLAMP
PAGE 20



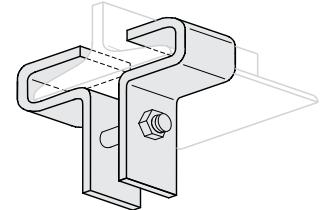
Series W200 & W201
STEEL C-CLAMP
PAGE 29



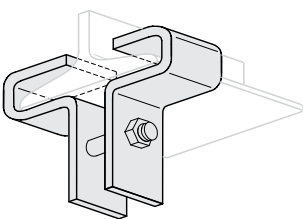
Series W210 - W211
MALLEABLE C-CLAMP
PAGE 30



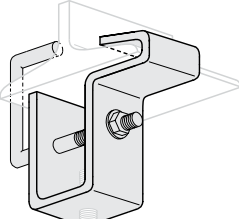
Series W215 - W217
SUPER STEEL C-CLAMP
PAGE 31



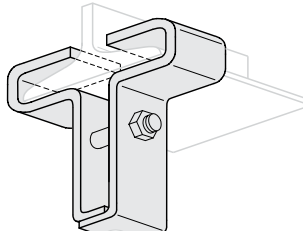
Series W220
CENTER LOAD BEAM CLAMP
-STANDARD DUTY-
PAGE 34 & 35



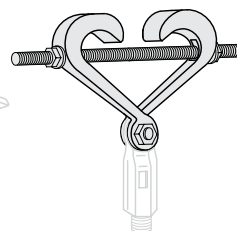
Series W225
CENTER LOAD
BEAM CLAMP
-HEAVY DUTY-
PAGE 36 & 37



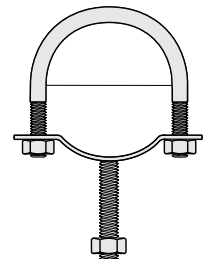
Series W226
ADJUSTABLE STEEL
BEAM CLAMP
PAGE 32



Series W227
STEEL CENTER LOAD
BEAM CLAMP
PAGE 33



Series W230
MALLEABLE BEAM CLAMP
PAGE 32



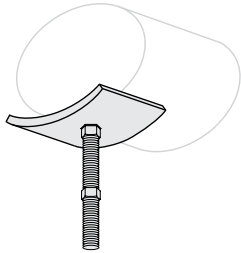
Series W240
PIPE SADDLE SUPPORT
PAGE 40

PICTORIAL INDEX

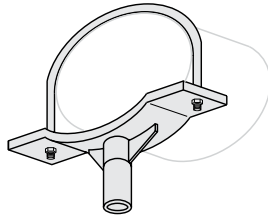
G-FORCE®

Section 1

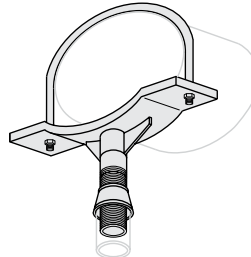
PICTORIAL
INDEX



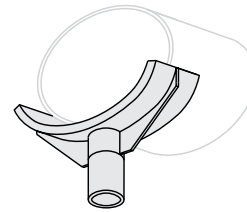
Series W245
PIPE SADDLE
SUPPORT
-WITH STUD-
PAGE 41



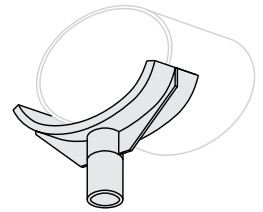
Series W250
HEAVY DUTY PIPE
SADDLE SUPPORT
-WITH U-BOLT-
PAGE 42



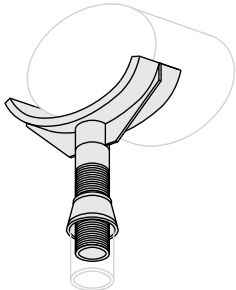
Series W255
ADJUSTABLE PIPE
SADDLE SUPPORT
-WITH U-BOLT-
PAGE 43



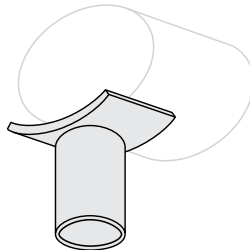
Series W260
HEAVY DUTY PIPE
SADDLE SUPPORT
PAGE 44



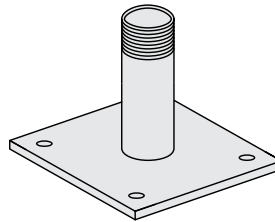
Series W261
HEAVY DUTY PIPE
SADDLE SUPPORT
PAGE 45



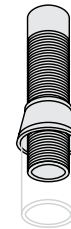
Series W265
ADJUSTABLE PIPE
SADDLE SUPPORT
PAGE 46



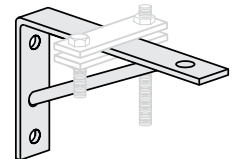
Series W270
PIPE SADDLE SUPPORT
-WITH COUPLING-
PAGE 47



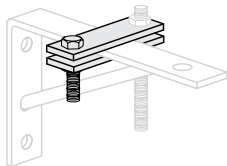
Series W275
THREADED BASE STAND
PAGE 48



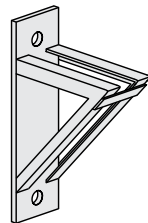
Series W276
PIPE SUPPORT ADJUSTER
PAGE 49



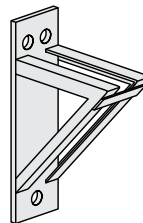
Series W280
LIGHT DUTY WALL BRACKET
PAGE 50



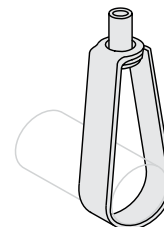
Series W281
WALL BRACKET CLIP
PAGE 50



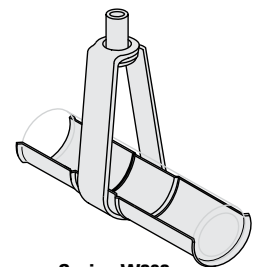
Series W290
MEDIUM DUTY
WALL BRACKET
PAGE 51



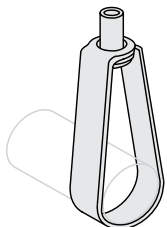
Series W291
HEAVY DUTY
WALL BRACKET
PAGE 52



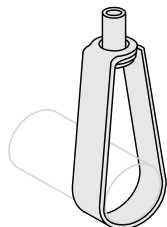
Series W300 & W302
IRON PIPE SWIVEL RING
PAGE 54



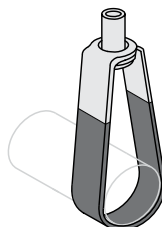
Series W303
IRON PIPE SWIVEL
RING HANDLER
-WITH SECURED INSULATION SHIELD-
PAGE 55



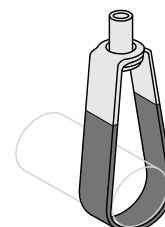
Series W305 - W307
IRON PIPE
SWIVEL RING
PAGE 56



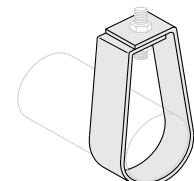
Series W310
COPPER TUBING
SWIVEL RING
PAGE 57



Series W320
IRON PIPE
SWIVEL RING
-PVC COATED-
PAGE 58

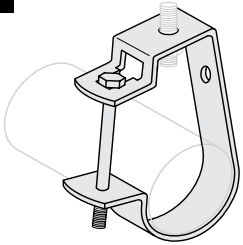


Series W325
COPPER TUBING
SWIVEL RING
-PVC COATED-
PAGE 59

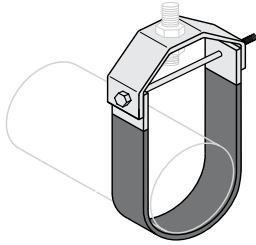


Series W330
STAINLESS STEEL
BAND HANGER
PAGE 60

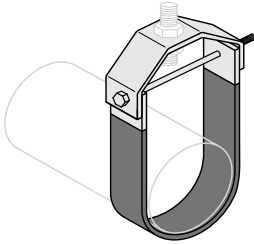
PICTORIAL INDEX



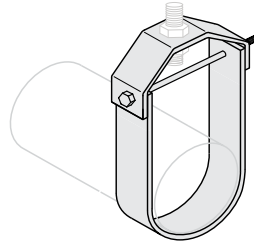
Series W340
CONDUIT J-TYPE
HANGER
PAGE 61



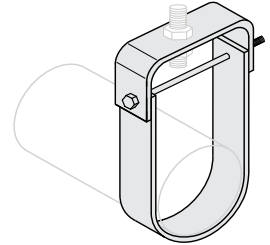
Series W400
STANDARD CLEVIS
HANGER
-PVC COATED-
PAGE 64



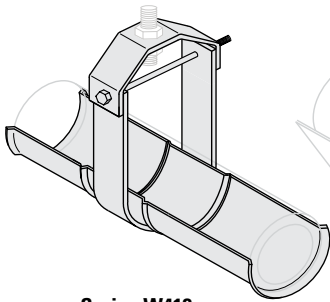
Series W405
COPPER CLEVIS
HANGER
-PVC COATED-
PAGE 65



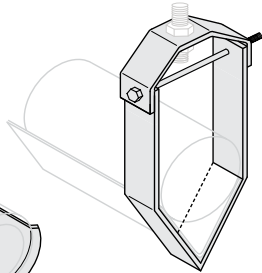
Series W410
STANDARD DUTY
CLEVIS HANGER
PAGE 66



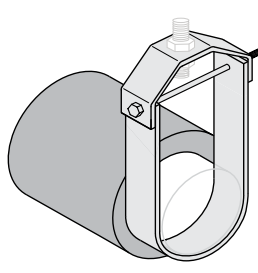
Series W411
STANDARD DUTY
CLEVIS HANGER
PAGE 67



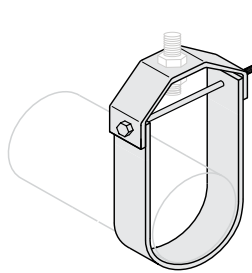
Series W412
CLEVIS HANGER
-WITH SECURED INSULATION SHIELD-
PAGE 68



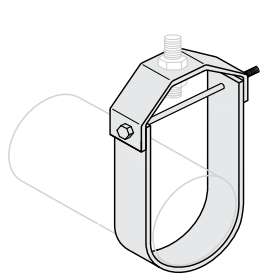
Series W413
PLASTIC PIPE
CLEVIS HANGER
PAGE 69



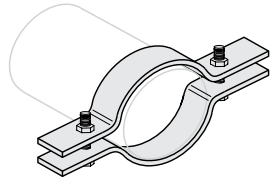
Series W415
STANDARD CLEVIS HANGER
-EXTENDED BOTTOM-
PAGE 70



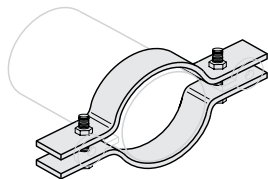
Series W420
LIGHT DUTY
CLEVIS HANGER
PAGE 71



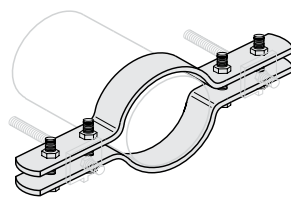
Series W430
COPPER CLEVIS HANGER
PAGE 72



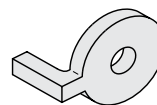
Series W500
IRON PIPE RISER CLAMP
PAGE 77



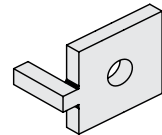
Series W501
TWO BOLT UNDERGROUND
PIPE CLAMP
PAGE 74



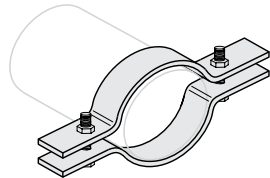
Series W502
FOUR BOLT UNDERGROUND
PIPE CLAMP
PAGE 75



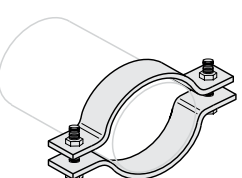
Series W503
UNDERGROUND
CLAMP WASHER
PAGE 76



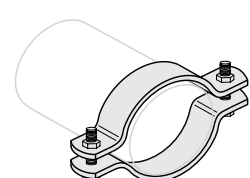
Series W504
UNDERGROUND
CLAMP WASHER
PAGE 76



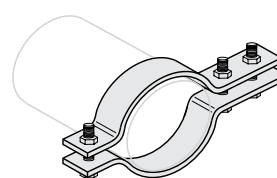
Series W505
COPPER TUBING
RISER CLAMP
PAGE 78



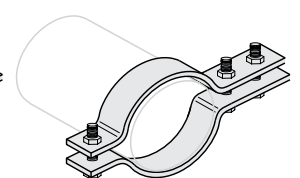
Series W510
SINGLE BOLT PIPE CLAMP
PAGE 79



Series W511
HEAVY DUTY PIPE CLAMP
PAGE 81



Series W520
DOUBLE BOLT PIPE CLAMP
PAGE 82



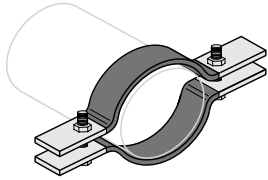
Series W521
DOUBLE BOLT PIPE CLAMP
PAGE 83

PICTORIAL INDEX

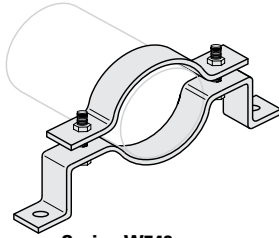
G-FORCE®

Section 1

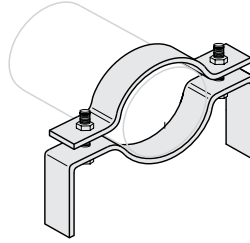
PICTORIAL
INDEX



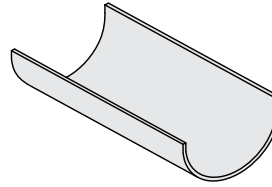
Series W530
IRON PIPE
RISER CLAMP
-PVC COATED-
PAGE 80



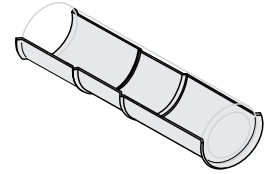
Series W540
OFFSET PIPE CLAMP
PAGE 84



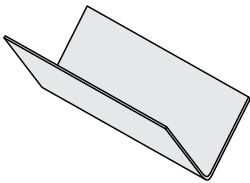
Series W550
EXTENDED PIPE CLAMP
PAGE 85



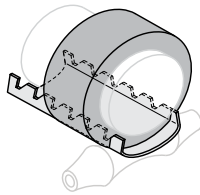
Series W560
INSULATION
PROTECTION SHIELD
PAGE 86



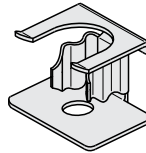
Series W561
SELF CENTERING
INSULATION SHIELD
PAGE 87



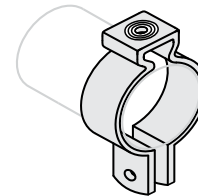
Series W562
PLASTIC PIPE
SUPPORT TROUGH
PAGE 88



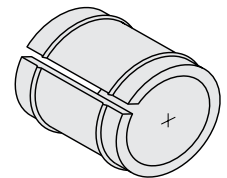
Series W570
PIPE COVERING
PROTECTION SADDLE
PAGE 88-91



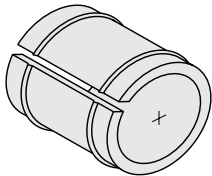
Series W580
SURGE RESTRAINT
PAGE 94



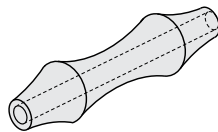
Series W581
SURGE RING HANGER
PAGE 94



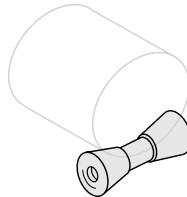
Series W585
I.S.P. FELT ISOLATOR
PAGE 92



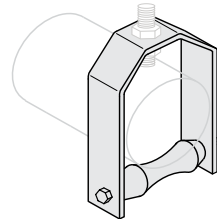
Series W586
COPPER TUBING
FELT ISOLATOR
PAGE 93



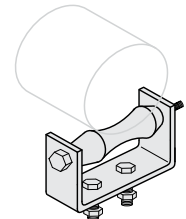
Series W600
CAST IRON PIPE ROLLER
PAGE 96



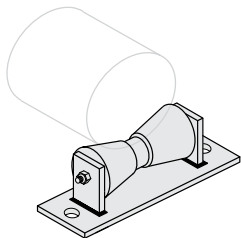
Series W601
SHORT PIPE ROLLER
PAGE 97



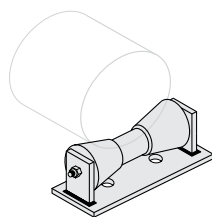
Series W610
ADJUSTABLE ROLLER
HANGER
PAGE 98



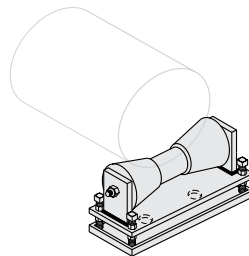
Series W620
CHAIR TYPE
ROLLER SUPPORT
PAGE 99



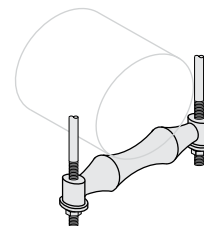
Series W621
PIPE ROLLER STAND
PAGE 100



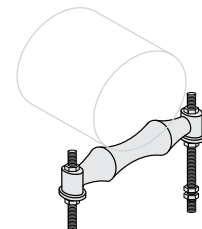
Series W622
PIPE ROLLER STAND
PAGE 101



Series W623
ADJUSTABLE PIPE
ROLLER STAND
-WITH BASE-
PAGE 102

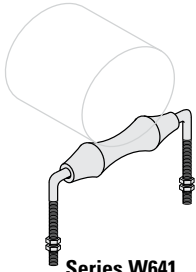


Series W630
TWO ROD TYPE
ROLLER STAND
PAGE 103



Series W640
ADJUSTABLE TYPE
ROLLER SUPPORT
PAGE 104

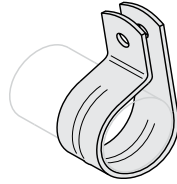
PICTORIAL INDEX



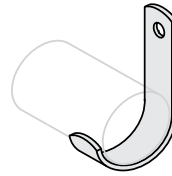
Series W641
ADJUSTABLE PIPE
ROLLER SUPPORT
PAGE 105



Series W642
ROLLER SOCKET
PAGE 106



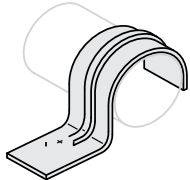
Series W650
CPVC ONE-HOLE WRAP
AROUND STRAP
PAGE 107



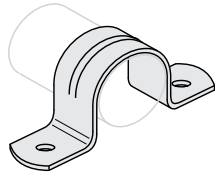
Series W651
RETURN LINE
STRAIGHT J-HOOK
PAGE 109



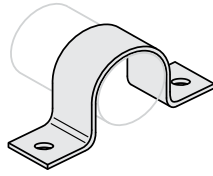
Series W652
RETURN LINE
OFFSET J-HOOK
PAGE 109



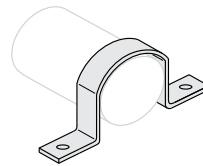
Series W655
ONE-HOLE CLIP
PAGE 110



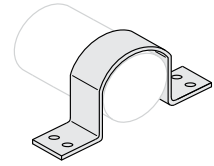
Series W660
TWO-HOLE CPVC STRAP
PAGE 107



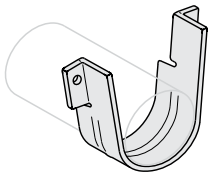
Series W665
TWO-HOLE PIPE STRAP
PAGE 110



Series W670
SHORT PIPE STRAP
PAGE 111



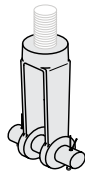
Series W671
SHORT PIPE STRAP
PAGE 111



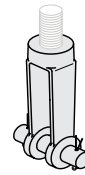
Series W680
CPVC TWO-HOLE 90°
SIDE MOUNT STRAP
PAGE 108



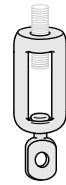
Series W700
FORGED STEEL CLEVIS
PAGE 114



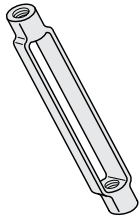
Series W701
FORGED STEEL CLEVIS
-RIGHT HAND THREAD-
PAGE 115



Series W702
FORGED STEEL CLEVIS
-LEFT HAND THREAD-
PAGE 116



Series W705
TURNBUCKLE ADJUSTER
PAGE 117



Series W710
TURNBUCKLE
PAGE 117



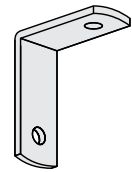
Series W715
FORGED STEEL WELDLESS
EYE NUT
PAGE 118



Series W720
MALLEABLE EYE SOCKET
PAGE 118



Series W725
SIDE BEAM CONNECTOR
PAGE 119



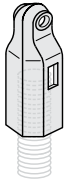
Series W728
REVERSIBLE ANGLE
BRACKET
PAGE 121

PICTORIAL INDEX

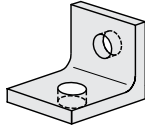
G-FORCE®

Section 1

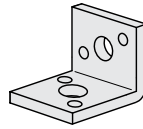
PICTORIAL
INDEX



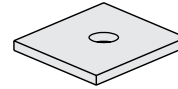
Series W730
EXTENSION PIECE
PAGE 119



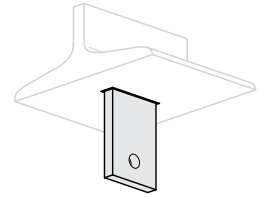
Series W735
STEEL SIDE BEAM
BRACKET
PAGE 120



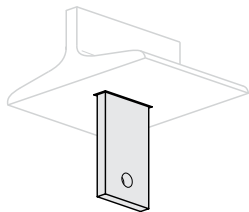
Series W736
REVERSIBLE STEEL SIDE
ANGLE BRACKET
PAGE 120



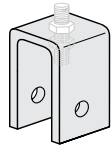
Series W737
SQUARE PLATE WASHER
PAGE 121



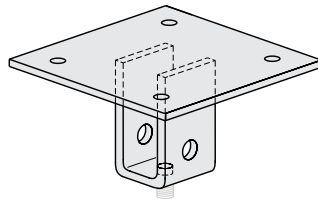
Series W738
WELDING LUG
-SHORT-
PAGE 124



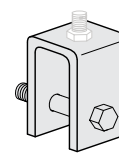
Series W739
WELDING LUG
-LONG-
PAGE 125



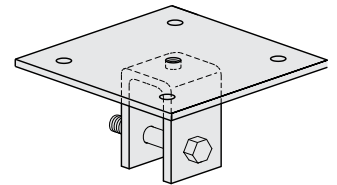
Series W740
WELDING ATTACHMENT
PAGE 126



Series W741
CONCRETE ROD
ATTACHMENT PLATE
PAGE 127



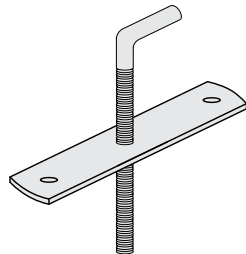
Series W745
WELDING ATTACHMENT
-WITH PIN-
PAGE 128



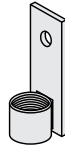
Series W746
CONCRETE CLEVIS PLATE
PAGE 129



Series W750
CEILING FLANGE
PAGE 122



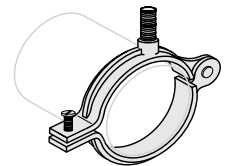
Series W751
ADJUSTABLE Q-DECK INSERT
PAGE 122



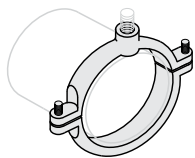
Series W752
SEISMIC BASE
PAGE 123



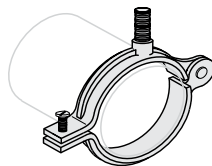
Series W755
VAN HANGER
PAGE 130



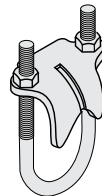
Series W760
HINGED SPLIT RING HANGER
PAGE 131



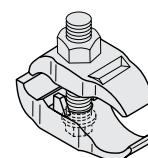
Series W761
EXTENSION SPLIT
CLAMP HANGER
PAGE 132



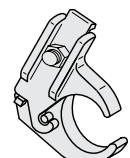
Series W765
COPPER SPLIT
RING HANGER
PAGE 130



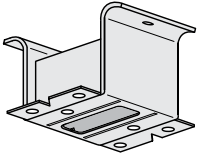
Series W770
RIGHT ANGLE CLAMP
PAGE 123



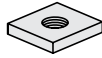
Series W780
PARALLEL CONDUIT
SUPPORT
PAGE 133



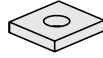
Series W785
EDGE TYPE CONDUIT
SUPPORT
PAGE 133



Series W790
SPOT CONCRETE INSERT
PAGE 134



Series W791
CONCRETE INSERT NUT
PAGE 134



Series W800
SQUARE WASHER
PAGE 136



Series W805 & W806
ROD COUPLING
PAGE 137



Series W810 & W811
HEX NUT
-STANDARD & HEAVY DUTY-
PAGE 137



Series W815
FLAT WASHER
PAGE 136



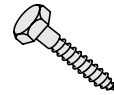
Series W816
LOCK WASHER
PAGE 136



Series W817
BEVEL WASHER
PAGE 137



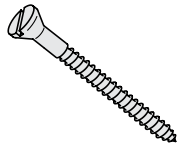
Series W818
FENDER WASHER
PAGE 136



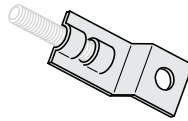
Series W820
LAG SCREW
PAGE 138



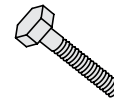
Series W821
FLAT END LAG SCREW
PAGE 138



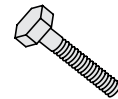
Series W825
WOOD DRIVE SCREW
PAGE 138



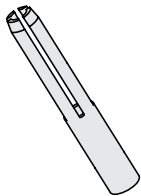
Series W830
OFFSET EYE SOCKET
PAGE 142



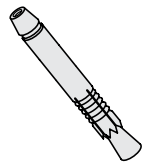
Series W835
HEX HEAD BOLT
-STANDARD DUTY-
PAGE 139



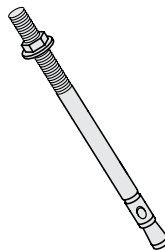
Series W836
HEX HEAD BOLT
-HEAVY DUTY-
PAGE 139



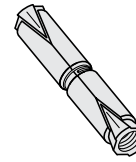
Series W840
ANCHOR DROP-IN
PAGE 140



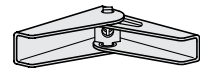
Series W841
SELF DRILLING
SNAP-OFF FLUSH
PAGE 141



Series W842
WEDGE ANCHOR
PAGE 140



Series W850
DOUBLE EXPANSION
SHIELD
PAGE 141



Series W855
WING TOGGLE
PAGE 141

PICTORIAL INDEX

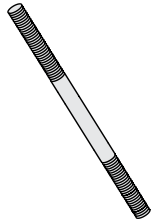
G-FORCE®

Section 1

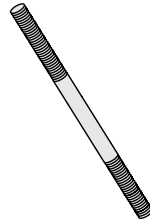
PICTORIAL
INDEX



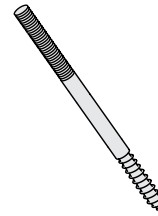
Series W860
THREADED ROD
PAGE 142



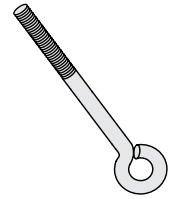
Series W863
MACHINE THREAD
HANGER ROD
-RIGHT HAND THREADS-
PAGE 139



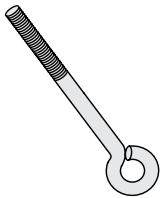
Series W864
MACHINE THREAD
HANGER ROD
-LEFT & RIGHT HAND THREADS-
PAGE 143



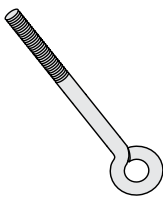
Series W865
COACH SCREW ROD
PAGE 147



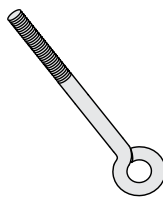
Series W866
EYE ROD
-RIGHT HAND THREADS-
PAGE 144



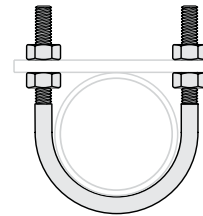
Series W867
EYE ROD
-LEFT HAND THREADS-
PAGE 144



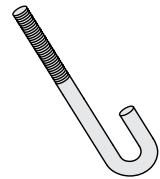
Series W868
WELDED EYE ROD
-RIGHT HAND THREADS-
PAGE 145



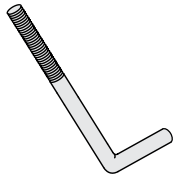
Series W869
WELDED EYE ROD
-LEFT HAND THREADS-
PAGE 145



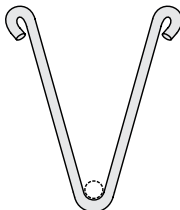
Series W870
U-BOLT
PAGE 146



Series W871
J-BEAM BOLT
PAGE 148



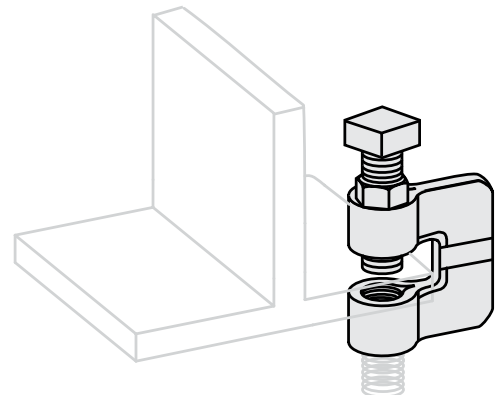
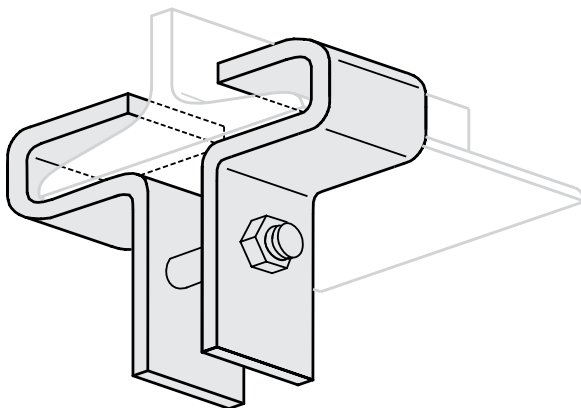
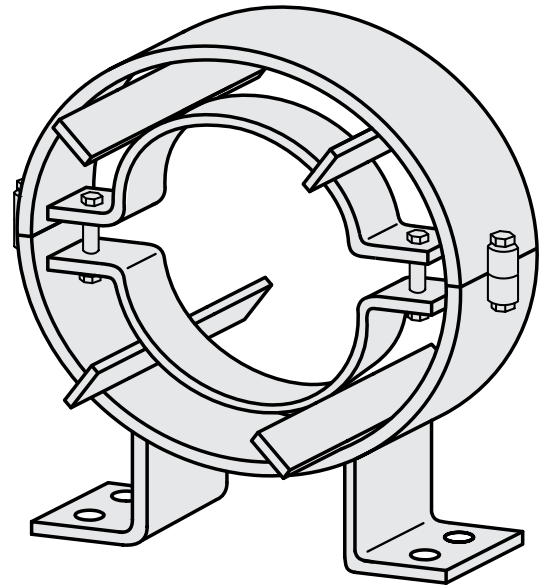
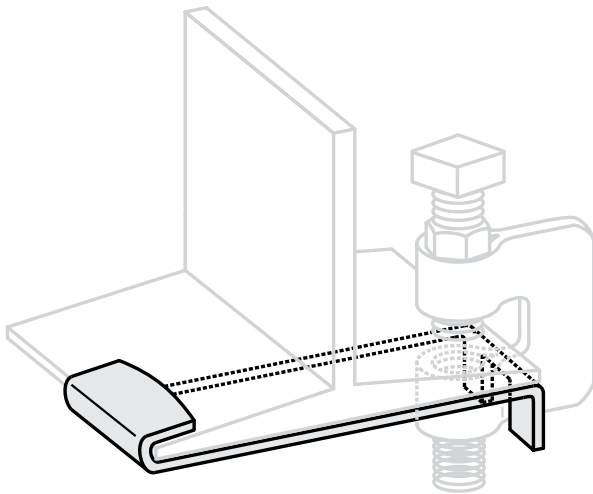
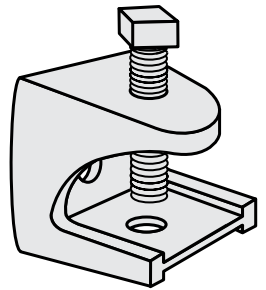
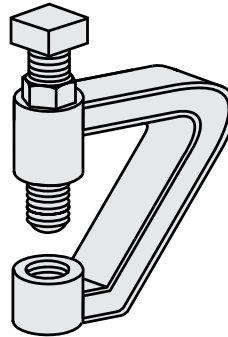
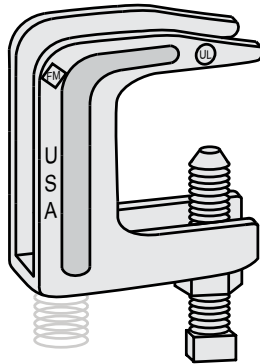
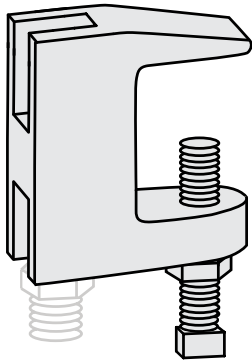
Series W872
ANCHOR BOLT
PAGE 148



Series W873
U-HOOK
PAGE 147

SECTION 2

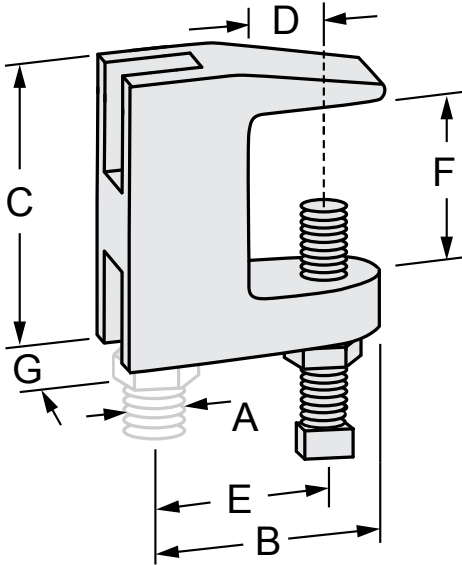
G-FORCE® CLAMPS



BEAM CLAMPS

UNIVERSAL BEAM CLAMP – SERIES W100

-MALLEABLE-



Follow maximum recommended set screw torque values per MSS-SP-69

Size Range: 3/8" through 7/8" rod sizes.

Material: Malleable iron casting with a hardened cup point set screw and lock nut.

Finish: Plain.

Ordering: Specify rod size; finish; and series #.

Approvals: UL Listed for top or bottom of Beam. Complies with Manufacturers Standardization Society SP-69 (Type 19 & 23). FM approved for NFPA 13, maximum rated pipe size.

Function: Recommended for attaching hanger rod to top or bottom flange of a beam or bar joist, where the thickness of a joist or flange does not exceed 3/4". The open back design permits rod adjustment.

Installation: Must install in an upright position.

Also Available In: 304 Stainless Steel, Electro-Galvanized.

PART #	ROD SIZE (A)	SIZE (B)	HIGH (C)	SIZE (D)	SIZE (E)	SIZE (F)	SIZE (G)	MAXIMUM RECOMMENDED LOAD(lbs.)	CARTON QTY.	LBS./100pcs
W100103	3/8	1"	1-1/2"	1/2"	1/2"	3/4"	7/8"	400	100	33
W100104	1/2	1"	1-1/2"	1/2"	1/2"	3/4"	7/8"	500	100	33
W100105	5/8	1-1/2"	1-1/2"	1/2"	1/2"	3/4"	1"	600	50	22
W100106	3/4	1-7/8"	1-3/4"	5/8"	5/8"	1"	1-1/4"	800	50	88
W100107	7/8	2"	1-3/4"	5/8"	5/8"	1"	1-1/4"	1200	25	79

All above beam clamps are plain steel. To order other finishes, change the 5th character in the Part # as seen below:

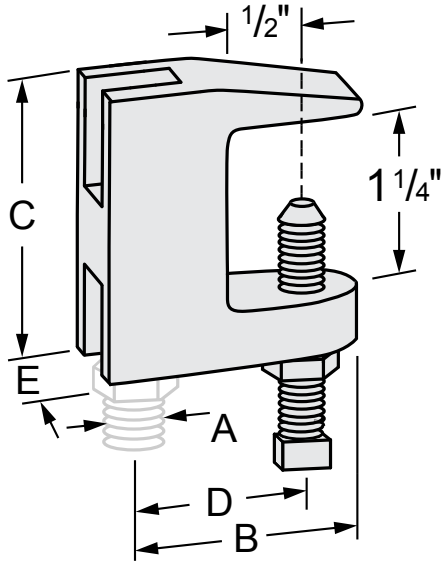
ELECTRO-GALVANIZED = 2
 STAINLESS STEEL (304) = 8

Example: **W100103** = STAINLESS STEEL
8

BEAM CLAMPS

WIDE THROAT BEAM CLAMP – SERIES W110

-MALLEABLE-



- Size Range:** 3/8" through 3/4" rod sizes.
- Material:** Malleable iron casting with a hardened cup point set screw and lock nut.
- Finish:** Plain.
- Ordering:** Specify rod size; finish; and series #.
- Approvals:** UL Listed for top or bottom of Beam. Complies with Manufacturers Standardization Society SP-69 (Type 19 & 23). FM approved for NFPA 13, maximum rated pipe size.
- Function:** Recommended for attaching hanger rod to top or bottom flange of a beam or bar joist construction. The open back design permits rod adjustment.
- Installation:** Must install in an upright position.
- Available In:** Electro-Galvanized.



Follow maximum recommended set screw torque values per MSS-SP-69

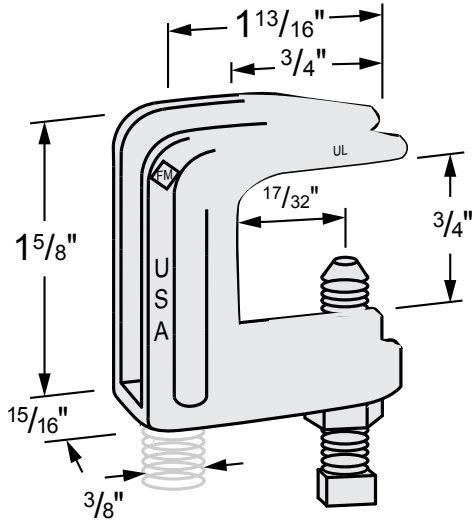
PART #	ROD SIZE (A)	SIZE (B)	HIGH (C)	SIZE (D)	SIZE (E)	MAXIMUM RECOMMENDED LOAD(lbs.)	CARTON QTY.	LBS./100pcs
W110103	3/8	1-5/8"	2"	1"	7/8"	400	50	28
W110104	1/2	1-5/8"	2"	1"	7/8"	500	50	34
W110105	5/8	1-3/4"	2-1/4"	1-1/4"	1"	600	50	66
W110106	3/4	1-7/8"	2-3/8"	1-3/8"	1-1/4"	800	50	83

All above beam clamps are plain steel. To order other finishes, change the 5th character in the Part # as seen below:
 ELECTRO-GALVANIZED = 2
 Example: **W110 1 03** = ELECTRO-GALV
 2

BEAM CLAMPS

CLAMPS

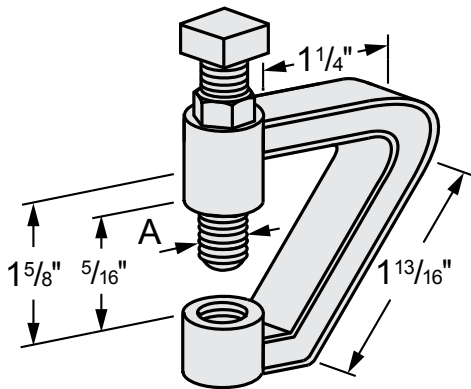
SILVERHAWK TOP BEAM CLAMP – SERIES W105



- Size Range:** 3/8" rod size
- Material:** Cold rolled, zinc plated corrosion-resistant steel. Included plated, hardened cup point set screw and lock nut.
- Finish:** Electro-Galvanized.
- Ordering:** Series #.
- Approvals:** Made in USA. Complies with Federal Specification W-W-H-171E and Manufacturers Standardization Society SP-69 (Type 19 & 23). FM approved for NFPA 13, 4" max rated pipe size.
- Function:** Unique counter balance design makes is simple to "spin" SILVERHAWK onto threaded rods for quicker, hassle-free installation. Open back shape provides visual verification.

PART #	ROD SIZE	CARTON QTY.	LBS./ 100pcs
W105203	3/8	100	20

PURLIN CLAMP – SERIES W140

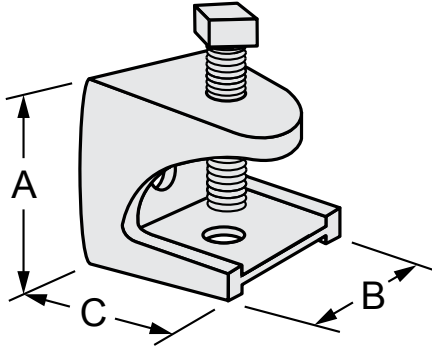


- Size Range:** 3/8" rod size
- Material:** Malleable iron casting with hardened cup point set screw and lock nut.
- Finish:** Plain & Electro-Galvanized.
- Ordering:** Specify rod size; finish; and series #.
- Function:** Designed for use with large-lip rolled steel purlins to eliminate the need to modify steel purlin for standard C-Clamp.

Follow maximim recommended set screw torque values per MSS-SP-69

PART #	FINISH	ROD SIZE (A)	MAX PIPE	MAXIMUM RECOMMENDED LOAD (lbs.)	CARTON QTY.	LBS./ 100pcs
W140103	PLAIN	3/8	4"	400	25	82
W140203	ELECTRO GALV	3/8	4"	400	25	82

ROD or INSULATOR – SERIES W130



- Size Range:** 1/4" and 3/8" rod size
- Material:** Malleable Iron with steel set screw.
- Finish:** Electro-Galvanized.
- Ordering:** Specify rod size; finish; and series #.
- Function:** Recommended for attaching rod or insulator to framework.
- Note:** Bottom and back holes are tapped.

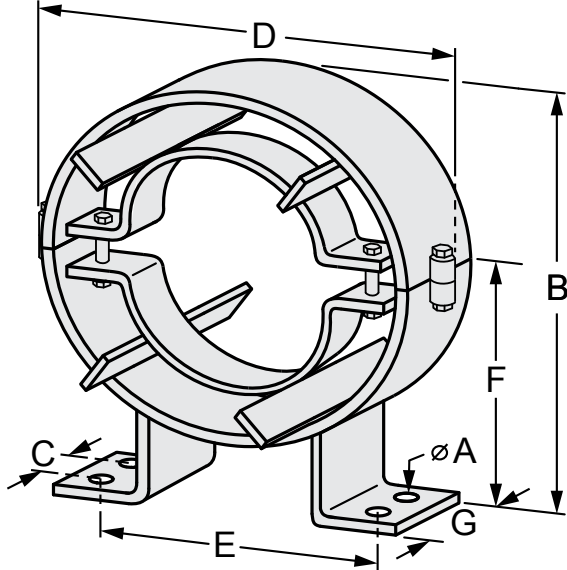
PART #	ROD SIZE	HIGH (A)	WIDE (B)	DEEP (C)	CARTON QTY.	LBS./ 100pcs
W130202	1/4	1-1/8"	1-3/8"	1-3/8"	25	25
W130203	3/8	1-3/16"	1-3/8"	1-3/8"	10	95
W130L203	3/8	2"	2"	2"	10	195

Note: "L" in the part # stands for Large Body

PIPE ALIGNMENT / ASSEMBLY

CLAMPS

PIPE ALIGNMENT GUIDE – SERIES W120



Material: Carbon steel.
Finish: Plain.
Ordering: Specify pipe size; guide size; insulation thickness; series #.
Function: Recommended for use in directing thermal expansion of insulated or non-insulated pipe in the direction permitted by expansion joints or loops.

PART #	GUIDE SIZE	PIPE SIZE	INSULATION THICKNESS	SIZE (B)	SIZE (C)	SIZE (D)	SIZE (E)	SIZE (F)	SIZE (G)	LBS./100pcs
W120110	1	1"	1"	5-3/4"	1-3/4"	5-7/8"	4-1/4"	3-1/2"	3"	60
W120120	2	1-1/4" to 2"	1"	6-3/4"	1-3/4"	7"	4-1/2"	4"	3"	80
W120121	2	1-1/4" to 2"	1-1/2"	6-3/4"	1-3/4"	7"	4-1/2"	4"	3"	80
W120130	3	2-1/2"	1"	7-5/8"	1-3/4"	8"	5-1/4"	4-3/8"	3"	100
W120131	3	1-1/4" to 2"	1-1/2"	7-5/8"	1-3/4"	8"	5-1/4"	4-3/8"	3"	100
W120132	3	1"	2"	7-5/8"	1-3/4"	8"	5-1/4"	4-3/8"	3"	100
W120140	4	3" to 4"	1"	9-1/2"	1-3/4"	10-3/8"	6-1/4"	5-1/4"	3"	130
W120141	4	2-1/2" to 3-1/2"	1-1/2"	9-1/2"	1-3/4"	10-3/8"	6-1/4"	5-1/4"	3"	130
W120142	4	1-1/4" to 2-1/2"	2"	9-1/2"	1-3/4"	10-3/8"	6-1/4"	5-1/4"	3"	130
W120143	4	1" to 2"	2-1/2"	9-1/2"	1-3/4"	10-3/8"	6-1/4"	5-1/4"	3"	130
W120144	4	1"	3"	9-1/2"	1-3/4"	10-3/8"	6-1/4"	5-1/4"	3"	130
W120150	5	5" to 6"	1"	11-5/8"	2-3/4"	12-1/2"	7-1/4"	6-1/4"	3"	200
W120151	5	4" to 5"	1-1/2"	11-5/8"	2-3/4"	12-1/2"	7-1/4"	6-1/4"	3"	200
W120152	5	3" to 4"	2"	11-5/8"	2-3/4"	12-1/2"	7-1/4"	6-1/4"	3"	200
W120153	5	2-1/2" to 3-1/2"	2-1/2"	11-5/8"	2-3/4"	12-1/2"	7-1/4"	6-1/4"	3"	200
W120154	5	1-1/4" to 2-1/2"	3"	11-5/8"	2-3/4"	12-1/2"	7-1/4"	6-1/4"	3"	200

PIPE ALIGNMENT / ASSEMBLY

G-FORCE®

Section 2

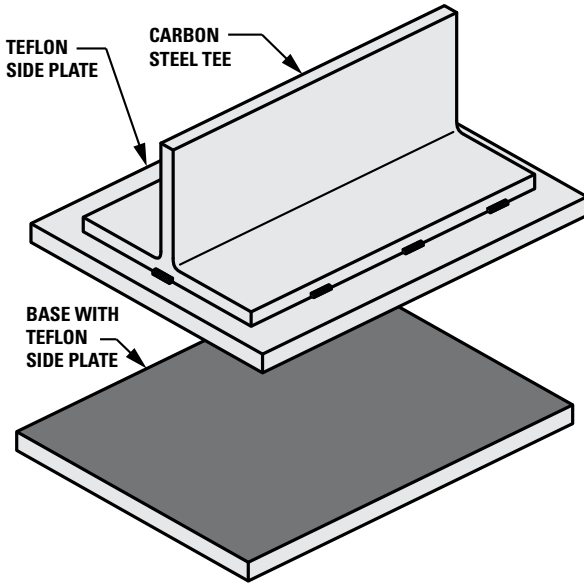
CLAMPS

W120155	5	1"	4"	11-5/8"	2-3/4"	12-1/2"	7-1/4"	6-1/4"	3"	200
W120160	6	6"	1-1/2"	13-5/8"	2-3/4"	14-1/2"	8-1/4"	7-1/4"	4"	225
W120161	6	5" to 6"	2"	13-5/8"	2-3/4"	14-1/2"	8-1/4"	7-1/4"	4"	225
W120162	6	4" to 5"	2-1/2"	13-5/8"	2-3/4"	14-1/2"	8-1/4"	7-1/4"	4"	225
W120163	6	3" to 4"	3"	13-5/8"	2-3/4"	14-1/2"	8-1/4"	7-1/4"	4"	225
W120164	6	1-1/4" to 2-1/2"	4"	13-5/8"	2-3/4"	14-1/2"	8-1/4"	7-1/4"	4"	225
W120170	7	8"	1-1/2"	15"	4"	15-3/4"	10"	8"	4"	400
W120171	7	8"	2"	15"	4"	15-3/4"	10"	8"	4"	400
W120172	7	6"	2-1/2"	15"	4"	15-3/4"	10"	8"	4"	400
W120173	7	5" to 6"	3"	15"	4"	15-3/4"	10"	8"	4"	400
W120174	7	3" to 4"	4"	15"	4"	15-3/4"	10"	8"	4"	400
W120180	8	10"	1-1/2"	17"	4"	17-3/4"	11"	9"	6"	450
W120181	8	10"	2"	17"	4"	17-3/4"	11"	9"	6"	450
W120182	8	8"	2-1/2"	17"	4"	17-3/4"	11"	9"	6"	450
W120183	8	8"	3"	17"	4"	17-3/4"	11"	9"	6"	450
W120184	8	5" to 6"	4"	17"	4"	17-3/4"	11"	9"	6"	450
W120190	9	12"	1-1/2"	18-3/4"	4"	20-1/8"	12"	9-3/4"	6"	550
W120191	9	12"	2"	18-3/4"	4"	20-1/8"	12"	9-3/4"	6"	550
W120192	9	10"	2-1/2"	18-3/4"	4"	20-1/8"	12"	9-3/4"	6"	550
W120193	9	10"	3"	18-3/4"	4"	20-1/8"	12"	9-3/4"	6"	550
W120194	9	8"	4"	18-3/4"	4"	20-1/8"	12"	9-3/4"	6"	550
W1201100	10	14"	2"	21-1/8"	4"	22-1/8"	11-1/2"	10-7/8"	6"	650
W1201101	10	12" to 14"	2-1/2"	21-1/8"	4"	22-1/8"	11-1/2"	10-7/8"	6"	650
W1201102	10	12"	3"	21-1/8"	4"	22-1/8"	11-1/2"	10-7/8"	6"	650
W1201103	10	10"	4"	21-1/8"	4"	22-1/8"	11-1/2"	10-7/8"	6"	650
W1201110	11	16"	2"	23-1/8"	6"	24-1/8"	14-1/2"	12-1/8"	8"	950
W1201111	11	16"	2-1/2"	23-1/8"	6"	24-1/8"	14-1/2"	12-1/8"	8"	950
W1201112	11	14"	3"	23-1/8"	6"	24-1/8"	14-1/2"	12-1/8"	8"	950
W1201113	11	12"	4"	23-1/8"	6"	24-1/8"	14-1/2"	12-1/8"	8"	950
W1201120	12	16"	3"	25"	6"	26-5/8"	15-1/2"	13"	8"	1115
W1201121	12	14" to 16"	4"	25"	6"	26-5/8"	15-1/2"	13"	8"	1115

PIPE ALIGNMENT / ASSEMBLY

PIPE SLIDE ASSEMBLY – SERIES W121 to W127

CLAMPS



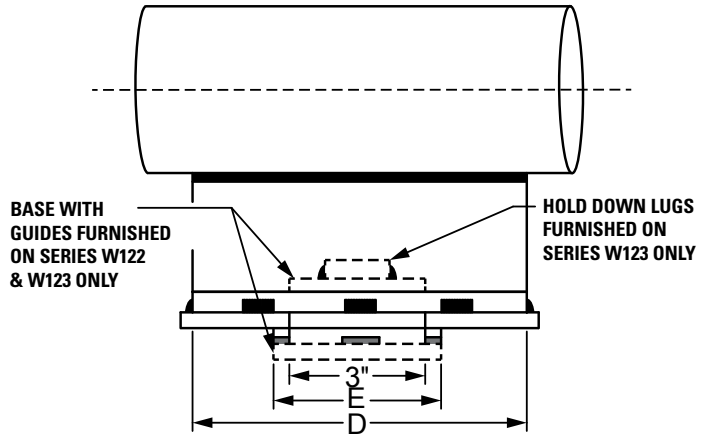
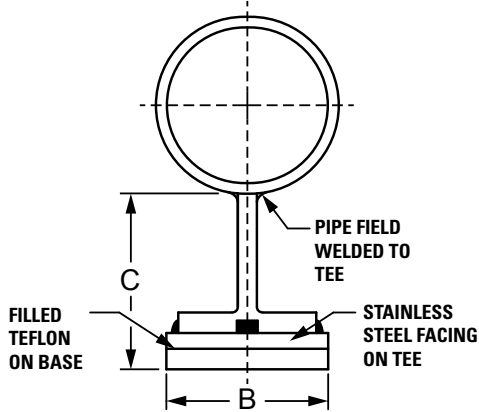
- Size Range:** From 0" to 8" & 10" to 24" pipe size.
- Material:** Carbon steel tee with teflon slide plate, carbon steel base with teflon slide plate.
- Finish:** Plain.
- Ordering:** Specify pipe size, type and travel #. (see factory for ordering part #'s).
- Approval:** Complies with Federal Specification A-A1192A (Type 35) and Manufacturers' Standardization Society SP-69 (Type 35).
- Function:** Designed for the support of piping where horizontal movement resulting from expansion and contraction takes place and where a low coefficient of friction (from .05 to .07 dependent on load) is desired. Maximum Temperature 750 F.
- Note:** Series W121, W122 and W123 provide for longitudinal movement only. Series W124, W125 and W126 provide for both longitudinal and transverse movement of pipe. Series W127 accommodates up to 5 inches of horizontal movement in any direction.

* NOTE: SEE PART #'s ON NEXT PAGE *

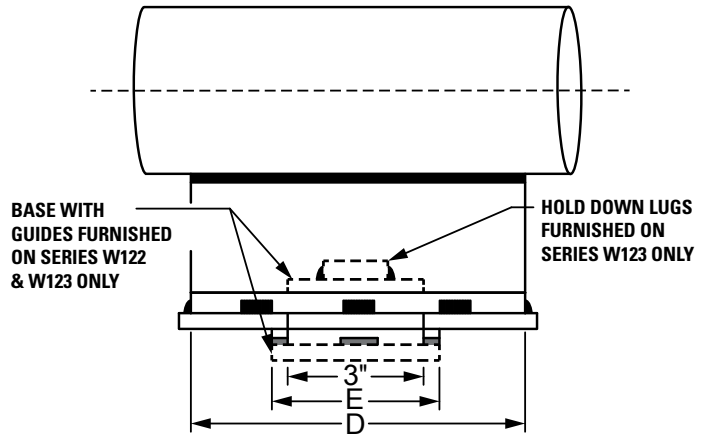
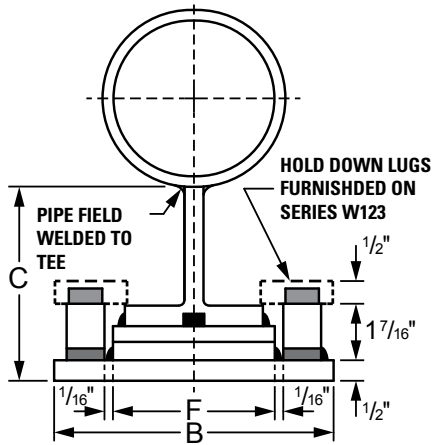
PIPE SIZE	TRAVEL	MAXIMUM RECOMMENDED LOAD(lbs.)	SIZE Ø (A)	SIZE (B) SERIES #				SIZE (C) SERIES #		
				W121 & W124	W122 & W123	W125 & W126	W127	W121 & W124	W122 & W123 & W125 & W126	W127
Up to 8	5	7000	3-15/16"	3-1/2"	6"	9-3/4"	5"	3-3/4"	4-1/4"	4-3/4"
	10		3-15/16"	3-1/2"	6"	9-3/4"	5"	3-3/4"	4-1/4"	4-3/4"
	15		3-15/16"	3-1/2"	6"	9-3/4"	5"	3-3/4"	4-1/4"	4-3/4"
	20		3-15/16"	3-1/2"	6"	9-3/4"	5"	3-3/4"	4-1/4"	4-3/4"
10 to 24	5	13500	5-7/16"	4-1/2"	7"	10-3/4"	6-1/2"	3-3/4"	4-1/4"	5-3/4"
	10		5-7/16"	4-1/2"	7"	10-3/4"	6-1/2"	3-3/4"	4-1/4"	5-3/4"
	15		5-7/16"	4-1/2"	7"	10-3/4"	6-1/2"	3-3/4"	4-1/4"	5-3/4"
	20		5-7/16"	4-1/2"	7"	10-3/4"	6-1/2"	3-3/4"	4-1/4"	5-3/4"

PIPE SIZE	TRAVEL	MAXIMUM RECOMMENDED LOAD(lbs.)	SIZE (D) SERIES #		SIZE (E)	SIZE (F) SERIES #		WEIGHT EACH (in LBS.) SERIES #						
			W121 & W126	W127		W121 & W123	W124 & W126	W121	W122	W123	W124	W125	W126	W127
Up to 8	5	7000	9"	10"	4"	3-1/2"	860 5-1/2"	9.5	14.5	15.5	11.0	18.0	19.6	27.0
	10		13-1/2"	10"	4"	3-1/2"	938 5-1/2"	13.5	18.5	19.5	15.7	22.6	24.3	27.0
	15		18"	10"	4"	3-1/2"	1150 5-1/2"	17.6	22.6	23.6	20.5	27.4	29.1	27.0
	20		27"	10"	4"	3-1/2"	2054 5-1/2"	21.6	26.6	27.6	25.5	32.1	33.8	27.0
10 to 24	5	13500	11"	11-1/2"	6"	4-1/2"	2315 6-1/2"	16.0	23.5	24.3	17.5	28.4	30.0	38.0
	10		16-1/2"	11-1/2"	6"	4-1/2"	3585 6-1/2"	21.4	38.9	29.7	23.6	34.5	36.0	38.0
	15		22"	11-1/2"	6"	4-1/2"	4678 6-1/2"	26.9	34.4	35.1	29.8	40.7	42.2	38.0
	20		33"	11-1/2"	6"	4-1/2"	7053 6-1/2"	32.2	39.8	40.5	35.9	46.8	48.3	38.0

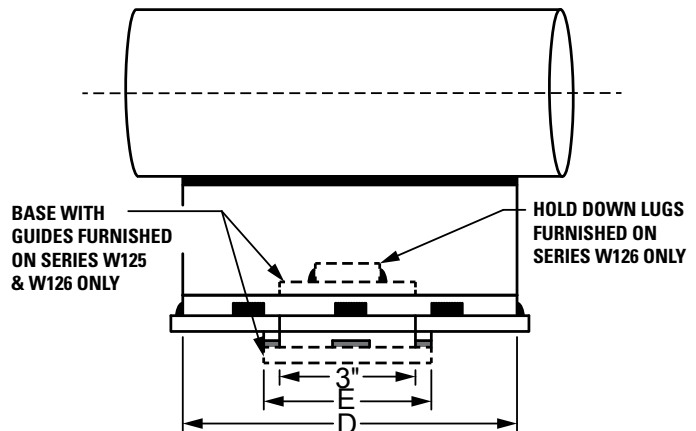
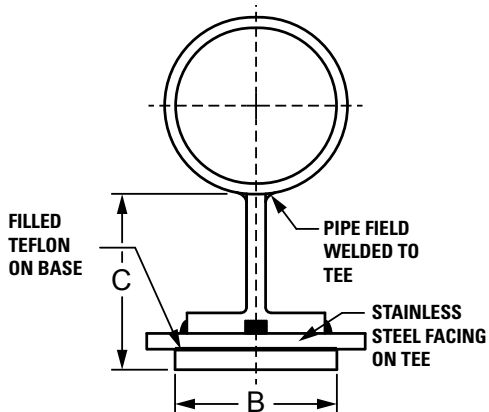
PIPE SLIDE ASSEMBLY – SERIES W121



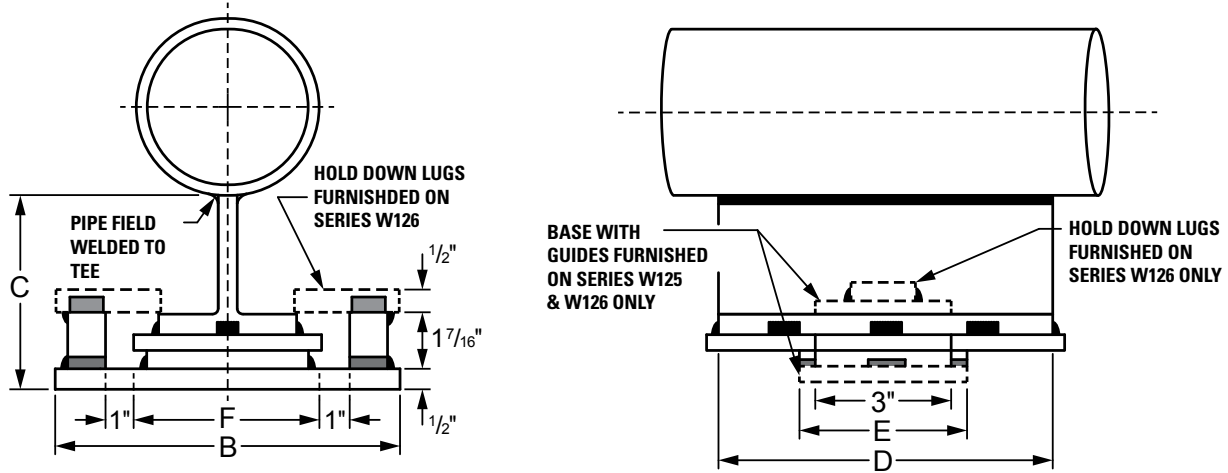
PIPE SLIDE ASSEMBLY – SERIES W122 & W123



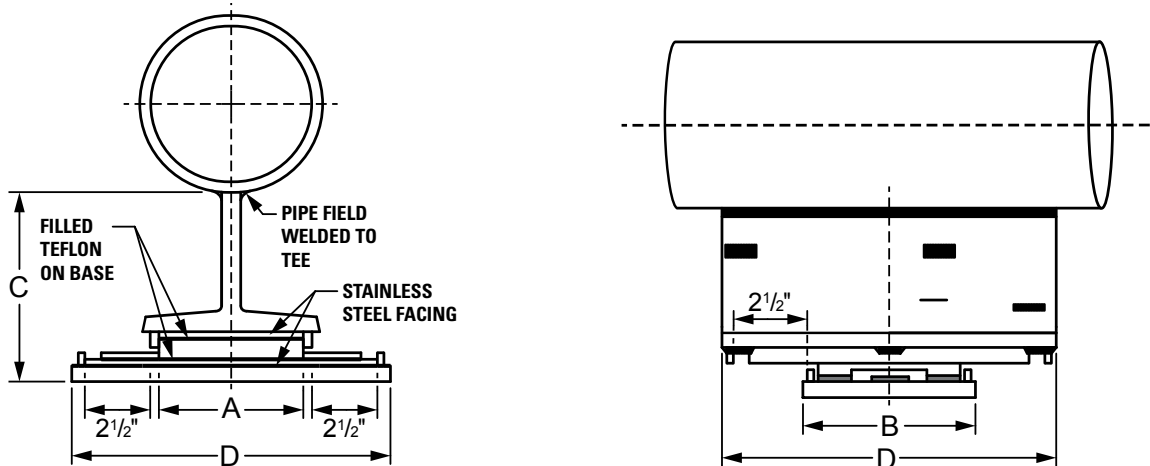
PIPE SLIDE ASSEMBLY – SERIES W124



PIPE SLIDE ASSEMBLY – SERIES W125 & W126



PIPE SLIDE ASSEMBLY – SERIES W127



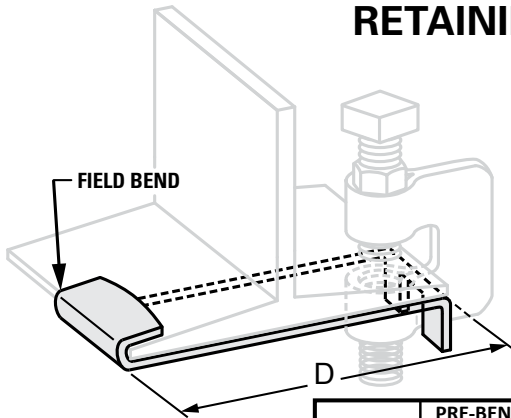
RETAINING STRAPS

G-FORCE®

Section 2

CLAMPS

RETAINING STRAP – SERIES W115



- Material:** Low Carbon Steel
- Finish:** Plain
- Ordering:** Specify rod size; finish; Length and series #.
- Function:** Designed to eliminate possible movement of the beam clamp due to vibration.
- Available In:** Electro-Galvanized, 304 & 316 Stainless Steel.
- Note:** Used with the Steel C-Clamp, W200 Series. Add 1 inch to beam flange width to determine length of strap.

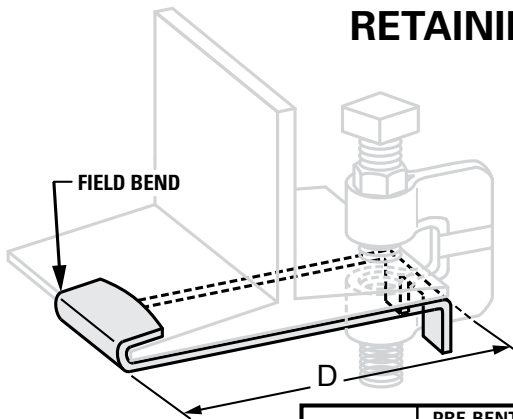
PART #	PRE-BENT STRAP LENGTH (D)	MATERIAL SIZE	LBS./100pcs
W115144	4-1/2"	11ga. x 1"	15
W115160	6"	11ga. x 1"	22
W115180	8"	11ga. x 1"	33
W1151100	10"	11ga. x 1"	36
W1151140	14"	11ga. x 1"	50

All above straps are plain steel. To order other finishes, change the 5th character in the Part # as seen below:

ELECTRO-GALVANIZED = 2
 STAINLESS STEEL (304) = 8
 STAINLESS STEEL (316) = 0

Example: **W115144** = ELECTRO-GALV
2

RETAINING STRAP – SERIES W116



- Material:** Low Carbon Steel
- Finish:** Plain
- Ordering:** Specify rod size; finish; Length and series #.
- Function:** Designed to eliminate possible movement of the beam clamp due to vibration.
- Available In:** Electro-Galvanized, 304 & 316 Stainless Steel.
- Note:** Used with the Steel C-Clamp, W210 Series. Add 1 inch to beam flange width to determine length of strap.

PART #	PRE-BENT STRAP LENGTH (D)	MATERIAL SIZE	LBS./100pcs
W116144	4-1/2"	11ga. x 1-1/4"	21
W116160	6"	11ga. x 1-1/4"	28
W116180	8"	11ga. x 1-1/4"	36
W1161100	10"	11ga. x 1-1/4"	45
W1161140	14"	11ga. x 1-1/4"	59

All above straps are plain steel. To order other finishes, change the 5th character in the Part # as seen below:

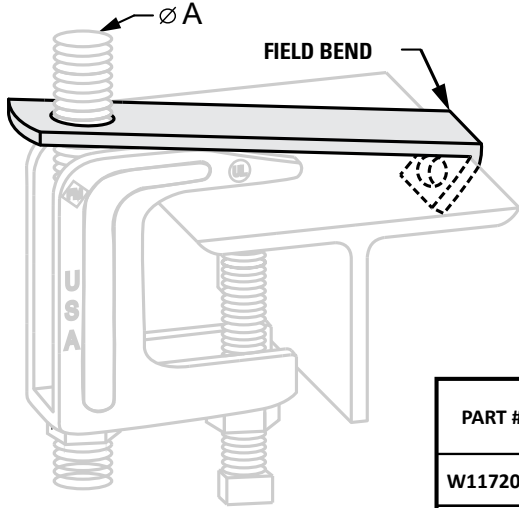
ELECTRO-GALVANIZED = 2
 STAINLESS STEEL (304) = 8
 STAINLESS STEEL (316) = 0

Example: **W116144** = ELECTRO-GALV
2

RETAINING STRAPS

CLAMPS

RETAINING STRAP – SERIES W117



Size Range: Strap is punched with 1/2" and 3/8" hole on same strap.

Material: Low Carbon Steel

Finish: Electro-Galvanized.

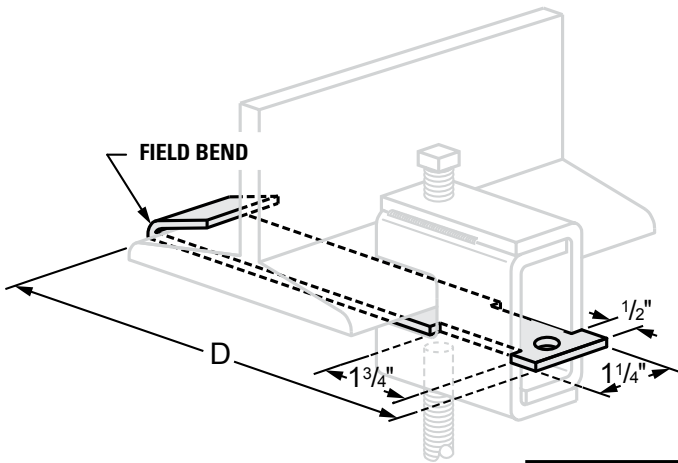
Ordering: Specify rod size, length, finish and series #.

Available In: 304 & 316 Stainless Steel

All retaining straps are electro-galvanized. To order other finishes, change the 5th character in the Part # as seen below:
 STAINLESS STEEL (304) = 8
 STAINLESS STEEL (316) = 0
 Example: **W117-2-03** = STAINLESS STEEL 8

PART #	ROD SIZE (A)	MATERIAL SIZE	WEIGHT EACH (in lbs.)				
			TOTAL PRE-BENT LENGTH OF STRAP (inches)				
			4-1/2"	6"	8"	10"	14"
W117203	3/8"	14ga. x 1"	.15	.21	.28	.35	.49
W117204	1/2"	14ga. x 1"	.15	.21	.28	.35	.49
W117205	5/8"	14ga. x 1-1/4"	.20	.26	.35	.44	.62
W117206	3/4"	14ga. x 1-1/4"	.20	.26	.35	.44	.62
W117207	7/8"	14ga x 2"	.31	.42	.56	.70	.98

RETAINING STRAP – SERIES W118



Size Range: 3/4" Max. Flange Thickness

Material: Low Carbon Steel

Finish: Electro-Galvanized.

Ordering: Specify length, flange width, finish and series #.

Function: For use with G410 and G411 Series beam clamps.

Available In: Hot Dip Galvanized

All above straps are electro-galv. To order other finishes, change the 5th character in the Part # as seen below:
 HOT DIP GALVANIZED = 9
 Example: **W118-2-60** = HOT DIP GALV 9

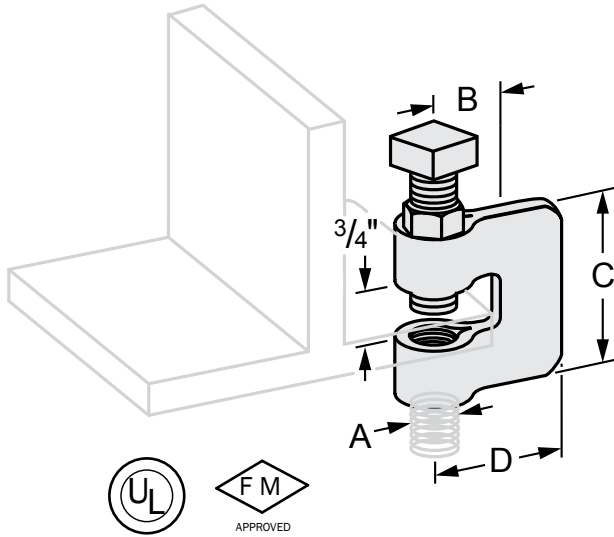
PART #	PRE-BENT STRAP LENGTH (D)	FLANGE WIDTH	LBS./100pcs	PART #	PRE-BENT STRAP LENGTH (D)	FLANGE WIDTH	LBS./100pcs
W118260	6"	6"	22	W1182120	12"	12"	40
W118290	9"	9"	30	W1182180	18"	15"	49

C-CLAMP

G-FORCE®

Section 2

STEEL C-CLAMP – SERIES W200 & W201



Follow maximum recommended set screw torque values per MSS-SP-69

- Size Range:** 3/8" and 7/8" rod size.
- Material:** Carbon Steel with a hardened cup point set screw and available with or without a lock nut.
- Finish:** Plain.
- Ordering:** Specify rod size; finish; and series #.
- Approvals:** UL Listing and FM Approved for NFPA 13, maximum rated pipe size. Complies with Federal Specification WW-H171E (Type 23) and Manufacturers Standardization Society SP-69 (Type 23).
- Function:** Designed for structural attachment of hanger rod to bottom flange of a metal beam, purlins, channel or angle iron. The hanger rod should make contact with the beam flange to ensure full engagement.
- Available In:** Electro-Galvanized & 304 Stainless Steel.
- Notes:** Maximum pipe size: 4"

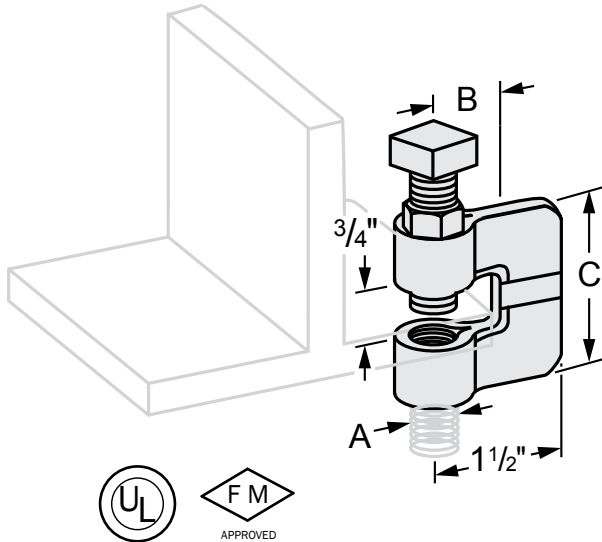
PART #	LOCKNUT INCLUDED	ROD SIZE (A)	SIZE (B)	HIGH (C)	SIZE (D)	MAXIMUM RECOMMENDED LOAD(lbs.)	CARTON QTY.	LBS./ 100pcs
W200103	NO	3/8	1"	2-3/8"	2-5/16"	400	100	41
W201103	YES	3/8	1"	2-3/8"	2-5/16"	400	100	45
W200104	NO	1/2	1-1/16"	2-3/8"	2-5/16"	500	100	43
W201104	YES	1/2	1-1/16"	2-3/8"	2-5/16"	500	100	46
W200105	NO	5/8	7/8"	2-3/8"	2-1/4"	550	50	58
W201105	YES	5/8	7/8"	2-3/8"	2-1/4"	550	50	66
W200106	NO	3/4	3/4"	2-3/8"	2-1/4"	600	50	66
W201106	YES	3/4	3/4"	2-3/8"	2-1/4"	600	50	80
W200107	NO	7/8	1-1/4"	3"	3-1/4"	900	25	168
W201107	YES	7/8	1-1/4"	3"	3-1/4"	900	25	176

All above c-clamps are plain steel.
 To order other finishes, change the 5th character in the Part # as seen below:
 ELECTRO-GALVANIZED = 2
 STAINLESS STEEL (304) = 8
 Example: W200103 = STAINLESS STEEL
 8

C-CLAMP

CLAMPS

MALLEABLE C-CLAMP – SERIES W210 & W211



Follow maximum recommended set screw torque values per MSS-SP-69

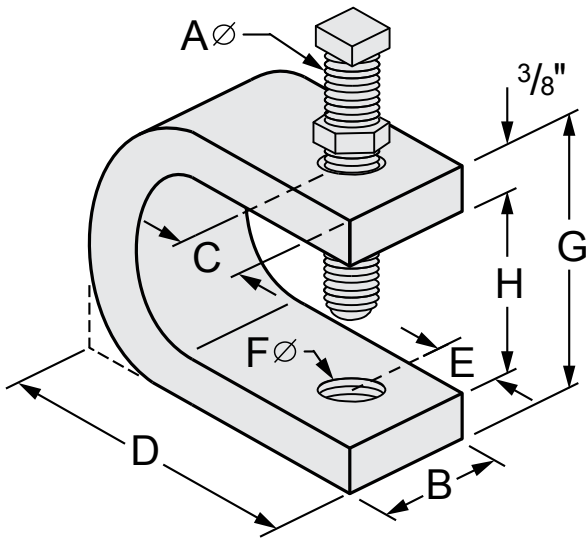
- Size Range:** 3/8" and 3/4" rod size.
- Material:** Malleable iron casting with a hardened cup point set screw and available with or without a lock nut.
- Finish:** Plain.
- Ordering:** Specify rod size; finish; and series #.
- Approvals:** Complies with Federal Specification WW-H171E (Type23) and Manufacturers Standardization Society SP-69 (Type 23).
- Function:** Designed for structural attachment of hanger rod to bottom flange of a metal beam, purlins, channel or angle iron. The hanger rod should make contact with the beam flange to ensure full engagement.
- Available In:** Electro-Galvanized.

PART #	LOCKNUT INCLUDED	ROD SIZE (A)	SIZE (B)	HIGH (C)	MAXIMUM RECOMMENDED LOAD(lbs.)	CARTON QTY.	LBS./ 100pcs
W210103	NO	3/8	3/4"	1-3/4"	400	100	26
W211103	YES	3/8	3/4"	1-3/4"	400	100	26
W210104	NO	1/2	3/4"	1-3/4"	500	100	29
W211104	YES	1/2	3/4"	1-3/4"	500	100	29
W210105	NO	5/8	5/8"	2"	550	BULK	72
W211105	YES	5/8	5/8"	2"	550	BULK	72
W210106	NO	3/4	9/16"	2"	600	BULK	98
W211106	YES	3/4	9/16"	2"	600	BULK	98

All above c-clamps are plain steel.
 To order other finishes, change the 5th character in the Part # as seen below:
 ELECTRO-GALVANIZED = 2
 Example: **W210,203** = ELECTRO-GALV
 2

C-CLAMP

STEEL C-TYPE CLAMP – SERIES W215 - W217

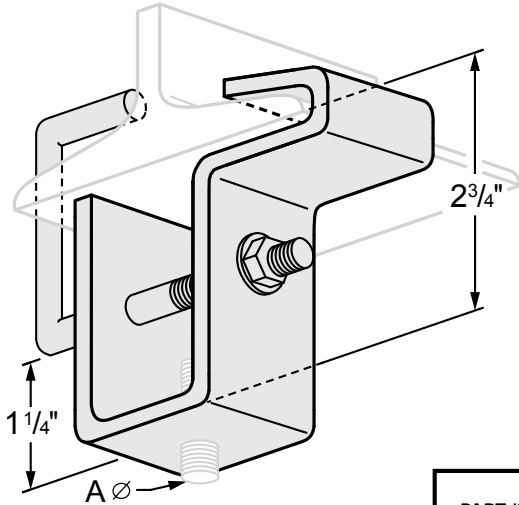


- Size Range:** 1/2" or 3/8" rod size.
- Material:** Steel, furnished with hardened steel set screw and lock nut.
- Finish:** Electro-Galvanized.
- Ordering:** Specify rod size; finish and series #.
- Approvals:** Complies with Federal Specifications A-A-1192A (Type 26) and Manufacturers' Standardization Society SP-69 (Type 26).
- Function:** Recommended for use with large-lip rolled steel purlins ("Z" purlins).

PART #	ROD SIZE (A)	MAX PIPE SIZE	SIZE (B)	SIZE (C)	SIZE (D)	SIZE (E)	SIZE (F)	SIZE (G)	SIZE (H)	MAXIMUM RECOMMENDED LOAD(lbs.)
W215203	3/8"	4"	3/4"	5/16"	1-9/16"	5/16"	3/8"	1-3/8"	5/8"	1500
W216203	3/8"	8"	1-1/4"	5/16"	1-5/8"	3/8"	1/2"	1-3/8"	5/8"	4050
W217203	3/8"	4"	3/4"	5/16"	1-1/2"	5/16"	3/8"	1-5/8"	7/8"	1500
W215204	1/2"	8"	1-1/2"	7/16"	1-9/16"	7/16"	1/2"	1-5/8"	7/8"	4050

ADJUSTABLE / MALLEABLE CLAMP

ADJUSTABLE STEEL BEAM CLAMP – SERIES W226

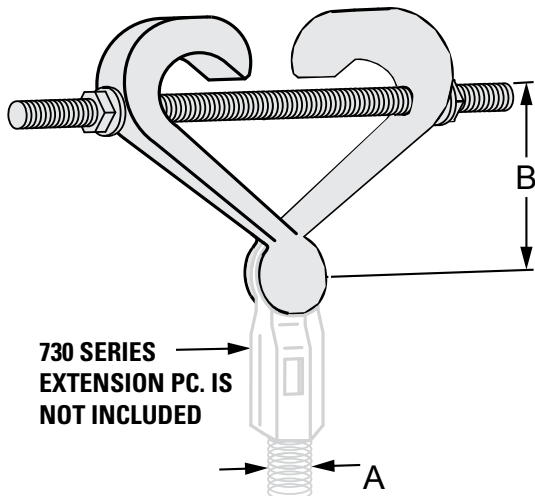


- Size Range:** 3/8" through 5/8" rod sizes.
- Material:** Low Carbon Steel.
- Finish:** Plain.
- Ordering:** Specify rod size; finish; series #.
- Function:** Designed to be used in the suspension of a hanger rod from an I-beam. The clamp is adjustable from 3-1/2" to 8" and can be used with flange thickness up to 3/4".
- Available In:** 304 & 316 Stainless Steel

All beam clamps are plain steel. To order other finishes, change the 5th character in the Part # as seen below:
 STAINLESS STEEL (304) = 8
 STAINLESS STEEL (316) = 0
 Example: **W226 8 03** = STAINLESS STEEL 8

PART #	ROD SIZE (A)	FLANGE WIDTH (inches)		MATERIAL SIZE	MAXIMUM RECOMMENDED LOAD(lbs.)	LBS./100pcs
		MIN.	MAX.			
W226103	3/8"	3-1/2"	8"	3 ga. x 1-1/4"	300	118
W226104	1/2"	3-1/2"	8"	3 ga. x 1-1/4"	700	162
W226105	5/8"	3-1/2"	8"	3 ga. x 1-1/4"	1000	218

MALLEABLE BEAM CLAMP – SERIES W230



- Size Range:** 2-3/8" to 7" Flange Width, 3/8" to 7/8" rodsizes.
- Material:** Malleable iron Jaw, Carbon Steel Hardware.
- Finish:** Plain
- Ordering:** Specify series. If extension piece is required, order a 730 series Extension Piece separately
- Approvals:** Complies Manufacturers Standardization Society SP-69 (Type 30).
- Function:** Designed for attaching a hanger rod to the bottom flange of a beam. Flange thickness not to exceed 0.60".

(Order 730 Series Extension Piece Separately)

MAX ROD SIZE (A)	ROD TAKE-OUT (B) FOR WIDTH OF BEAM FLANGE						BOLT DIAMETER	MAXIMUM RECOMMENDED LOAD(lbs.)	LBS./100pcs
	2-3/8"	3"	4"	5"	6"	7"			
7/8"	3-1/2"	3-7/16"	3-5/16"	2-15/16"	2-9/16"	1-7/8"	7/16"	1365	249

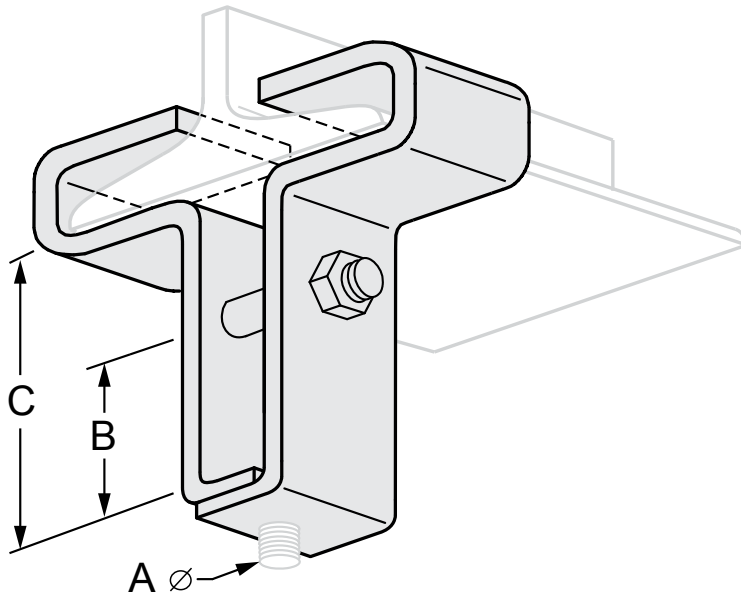
Note: Please See Factory for Part #'s

CENTER LOAD BEAM CLAMP

G-FORCE®

Section 2

STEEL C-TYPE CLAMP – SERIES W227



Size Range: 3/8" through 1-1/4" rod size.

Material: Carbon Steel.

Finish: Plain.

Ordering: Specify width of flange; series # and finish.

Function: Designed to be used in the suspension of a hanger rod from the center of an I-beam. The clamp's design allows the load to be distributed equally on either side of the beam. This clamp allows approximately 2" of vertical adjustment.

Available In: 304 & 316 Stainless Steel

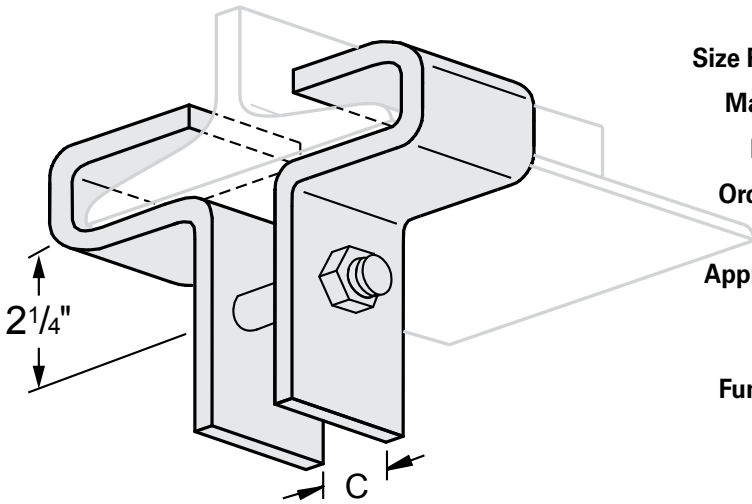
PART #	SIZE (A)	SIZE (B)	SIZE (C)	MATERIAL SIZE	MAXIMUM RECOMMENDED LOAD(lbs.)	WEIGHT EACH (in lbs.)				
						FLANGE WIDTH (inches)				
						4"	5"	6"	7"	8"
W227103	3/8"	3"	4"	3ga. x 1-1/4"	550	1.68	1.81	1.93	2.05	2.14
W227104	1/2"	3"	4"	3ga. x 1-1/2"	850	2.01	2.17	2.31	2.46	2.56
W227105	5/8"	3-1/4"	4-1/2"	3/8" x 1-1/2"	1100	3.28	3.52	3.73	3.95	4.11
W227106	3/4"	3-1/4"	4-1/2"	3/8" x 2"	1500	4.34	4.66	4.95	5.25	5.46
W227107	7/8"	3-1/2"	5"	1/2" x 2"	2600	6.57	6.67	7.05	7.44	7.73
W227110	1"	3-1/2"	5"	1/2" x 2-1/2"	4300	7.97	8.24	8.77	9.26	9.62
W227111	1-1/8"	3-1/2"	5-1/2"	5/8" x 3"	6100	14.46	13.69	13.74	15.07	15.60
W227112	1-1/4"	3-1/2"	5-1/2"	5/8" x 4"	8000	18.76	18.17	18.45	19.82	20.36

All beam clamps are plain steel.
 To order other finishes, change the 5th character in the Part # as seen below:
 STAINLESS STEEL (304) = 8
 STAINLESS STEEL (316) = 0
 Example: **W227, 8 03** = STAINLESS STEEL
 8

CENTER LOAD BEAM CLAMP

CENTER LOAD BEAM CLAMP – SERIES W220

-STANDARD DUTY-



Size Range: See maximum recommended load table.

Material: Low Carbon Steel.

Finish: Plain.

Ordering: Specify type number; width of flange; flange thickness; series # and finish.

Approvals: Complies with Federal Specification A-A-1192A (Type 21) and Manufacturers Standardization Society SP-69 (Type 21).

Function: Designed to be used in the suspension of a hanger rod from the center of an I-beam. The clamp's design allows the load to be distributed equally on either side of the beam. Normally used in conjunction with W715-Series weldless eye nut.

Available In: 304 & 316 Stainless Steel

All beam clamps are plain steel.
To order other finishes, change the 5th character in the Part # as seen below:

STAINLESS STEEL (304) = 8

STAINLESS STEEL (316) = 0

Example: **W220 1 2** = STAINLESS STEEL
8

PART #	TYPE NUMBER	FLANGE WIDTH	BOLT SIZE	SIZE (C)	MATERIAL SIZE	MAXIMUM FLANGE THICKNESS	MAXIMUM RECOMMENDED LOAD(lbs.)	CARTON QTY.	LBS./100pcs
W220112	1	2	3/8	1/2"	3ga. x 1-1/4"	7/16"	1000	BULK	63
W220122	2	2	1/2	1/2"	3ga. x 1-1/4"	7/16"	1250	BULK	84
W220132	3	2	1/2	5/8"	3/8" x 1-1/2"	7/16"	1500	BULK	128
W220113	1	3	3/8	1/2"	3ga. x 1-1/4"	7/16"	1000	BULK	85
W220123	2	3	1/2	1/2"	3ga. x 1-1/4"	7/16"	1250	BULK	93
W220133	3	3	1/2	5/8"	3/8" x 1-1/2"	7/16"	1500	BULK	142
W220114	1	4	3/8	1/2"	3ga. x 1-1/4"	1/2"	1000	BULK	88
W220124	2	4	1/2	1/2"	3ga. x 1-1/4"	1/2"	1250	BULK	110
W220134	3	4	1/2	5/8"	3/8" x 1-1/2"	1/2"	1500	BULK	163

CENTER LOAD BEAM CLAMP

G-FORCE®

Section 2

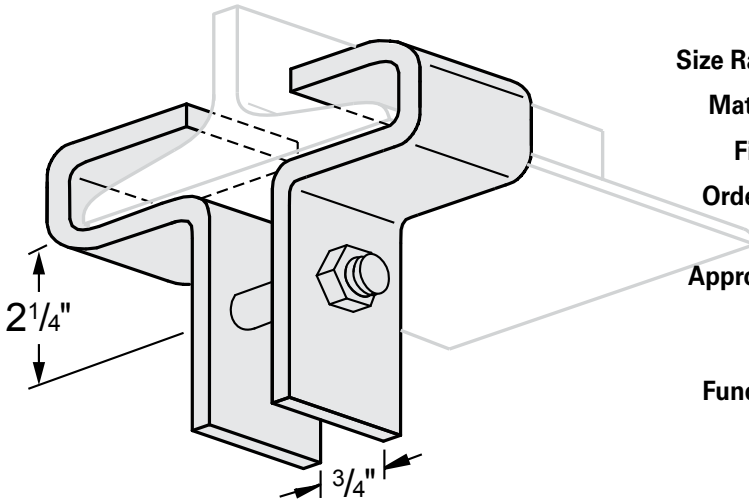
CLAMPS

PART #	TYPE NUMBER	FLANGE WIDTH	BOLT SIZE	SIZE (C)	MATERIAL SIZE	MAXIMUM FLANGE THICKNESS	MAXIMUM RECOMMENDED LOAD(lbs.)	CARTON QTY.	LBS./100pcs
W220115	1	5	3/8	1/2"	3ga. x 1-1/4"	5/8"	1000	BULK	110
W220125	2	5	1/2	1/2"	3ga. x 1-1/4"	5/8"	1250	BULK	128
W220135	3	5	1/2	5/8"	3/8" x 1-1/2"	5/8"	1500	BULK	206
W220116	1	6	3/8	1/2"	3ga. x 1-1/4"	3/4"	1000	BULK	113
W220126	2	6	1/2	1/2"	3ga. x 1-1/4"	3/4"	1250	BULK	144
W220136	3	6	1/2	5/8"	3/8" x 1-1/2"	3/4"	1500	BULK	221
W220117	1	7	3/8	1/2"	3ga. x 1-1/4"	7/8"	1000	BULK	123
W220127	2	7	1/2	1/2"	3ga. x 1-1/4"	7/8"	1250	BULK	157
W220137	3	7	1/2	5/8"	3/8" x 1-1/2"	7/8"	1500	BULK	247
W220118	1	8	3/8	1/2"	3ga. x 1-1/4"	7/8"	1000	BULK	125
W220128	2	8	1/2	1/2"	3ga. x 1-1/4"	7/8"	1250	BULK	166
W220138	3	8	1/2	5/8"	3/8" x 1-1/2"	7/8"	1500	BULK	253
W220119	1	9	3/8	1/2"	3ga. x 1-1/4"	1"	1000	BULK	143
W220129	2	9	1/2	1/2"	3ga. x 1-1/4"	1"	1250	BULK	177
W220139	3	9	1/2	5/8"	3/8" x 1-1/2"	1"	1500	BULK	269
W2201110	1	10	3/8	1/2"	3ga. x 1-1/4"	1"	1000	BULK	152
W2201210	2	10	1/2	1/2"	3ga. x 1-1/4"	1"	1250	BULK	186
W2201310	3	10	1/2	5/8"	3/8" x 1-1/2"	1"	1500	BULK	281
W2201111	1	11	3/8	1/2"	3ga. x 1-1/4"	1"	1000	BULK	136
W2201211	2	11	1/2	1/2"	3ga. x 1-1/4"	1"	1250	BULK	198
W2201311	3	11	1/2	5/8"	3/8" x 1-1/2"	1"	1500	BULK	306
W2201112	1	12	3/8	1/2"	3ga. x 1-1/4"	1"	1000	BULK	171
W2201212	2	12	1/2	1/2"	3ga. x 1-1/4"	1"	1250	BULK	210
W2201312	3	12	1/2	5/8"	3/8" x 1-1/2"	1"	1500	BULK	318

CENTER LOAD BEAM CLAMP

CENTER LOAD BEAM CLAMP – SERIES W225

-HEAVY DUTY-



- Size Range:** See maximum recommended load table.
- Material:** Low Carbon Steel.
- Finish:** Plain.
- Ordering:** Specify type number; width of flange; flange thickness; series # and finish.
- Approvals:** Complies with Federal Specification A-A-1192A (Type 21) and Manufacturers Standardization Society SP-69 (Type 21).
- Function:** Designed to be used in the suspension of a hanger rod from the center of an I-beam. The clamp's design allows the load to be distributed equally on either side of the beam. Normally used in conjunction with W715-Series weldless eye nut.

Available In: 304 & 316 Stainless Steel

All beam clamps are plain steel. To order other finishes, change the 5th character in the Part # as seen below:

STAINLESS STEEL (304) = 8
 STAINLESS STEEL (316) = 0
 Example: **W225 4 3** = STAINLESS STEEL
8

PART #	TYPE NUMBER	FLANGE WIDTH	BOLT SIZE	MATERIAL SIZE	MAXIMUM FLANGE THICKNESS	MAXIMUM RECOMMENDED LOAD(lbs.)	CARTON QTY.	LBS./ 100pcs
W225143	4	3	5/8	1/2" x 2"	1/2"	3000	BULK	348
W225153	5	3	5/8	1/2" x 2-1/2"	1/2"	3250	BULK	426
W225163	6	3	3/4	5/8" x 2-1/2"	1/2"	3500	BULK	-
W225144	4	4	5/8	1/2" x 2"	1/2"	3000	BULK	392
W225154	5	4	5/8	1/2" x 2-1/2"	1/2"	3250	BULK	482
W225164	6	4	3/4	5/8" x 2-1/2"	1/2"	3000	BULK	629
W225145	4	5	5/8	1/2" x 2"	5/8"	3000	BULK	428
W225155	5	5	5/8	1/2" x 2-1/2"	5/8"	3250	BULK	523
W225165	6	5	3/4	5/8" x 2-1/2"	5/8"	3000	BULK	661
W225146	4	6	5/8	1/2" x 2"	3/4"	3000	BULK	445

CENTER LOAD BEAM CLAMP

G-FORCE®

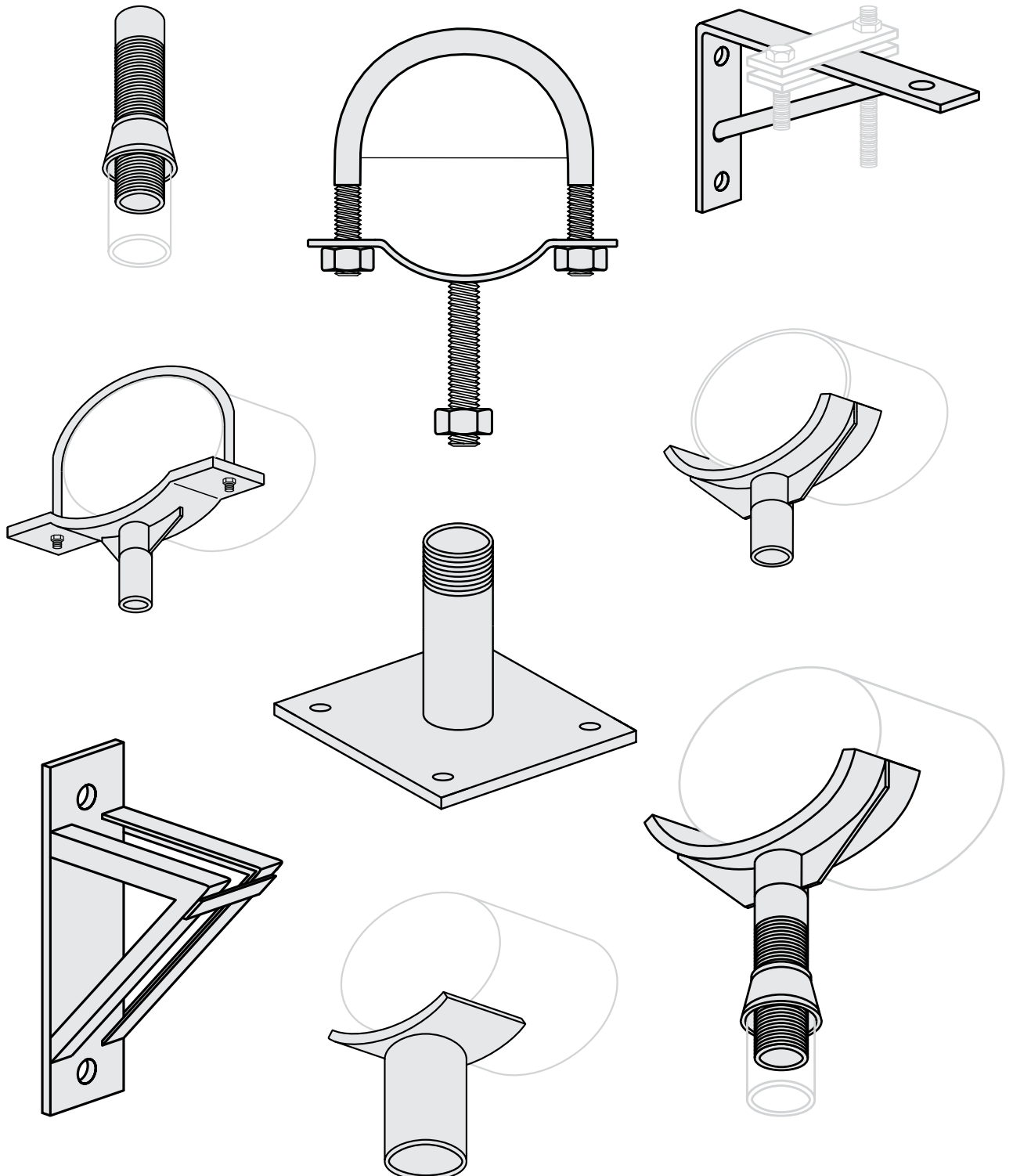
Section 2

CLAMPS

PART #	TYPE NUMBER	FLANGE WIDTH	BOLT SIZE	MATERIAL SIZE	MAXIMUM FLANGE THICKNESS	MAXIMUM RECOMMENDED LOAD(lbs.)	CARTON QTY.	LBS./ 100pcs
W225156	5	6	5/8	1/2" x 2-1/2"	3/4"	3250	BULK	552
W225166	6	6	3/4	5/8" x 2-1/2"	3/4"	3000	BULK	727
W225147	4	7	5/8	1/2" x 2"	7/8"	3000	BULK	476
W225157	5	7	5/8	1/2" x 2-1/2"	7/8"	3250	BULK	591
W225167	6	7	3/4	5/8" x 2-1/2"	7/8"	3000	BULK	763
W225148	4	8	5/8	1/2" x 2"	7/8"	3000	BULK	525
W225158	5	8	5/8	1/2" x 2-1/2"	7/8"	3250	BULK	612
W225168	6	8	3/4	5/8" x 2-1/2"	7/8"	3000	BULK	857
W225149	4	9	5/8	1/2" x 2"	1"	3000	BULK	573
W225159	5	9	5/8	1/2" x 2-1/2"	1"	3250	BULK	657
W225169	6	9	3/4	5/8" x 2-1/2"	1"	3000	BULK	921
W2251410	4	10	5/8	1/2" x 2"	1"	3000	BULK	594
W2251510	5	10	5/8	1/2" x 2-1/2"	1"	3250	BULK	698
W2251610	6	10	3/4	5/8" x 2-1/2"	1"	3000	BULK	981
W2251411	4	11	5/8	1/2" x 2"	1"	3000	BULK	653
W2251511	5	11	5/8	1/2" x 2-1/2"	1"	3250	BULK	795
W2251611	6	11	3/4	5/8" x 2-1/2"	1"	3000	BULK	1052
W2251412	4	12	5/8	1/2" x 2"	1"	3000	BULK	697
W2251512	5	12	5/8	1/2" x 2-1/2"	1"	3250	BULK	850
W2251612	6	12	3/4	5/8" x 2-1/2"	1"	3000	BULK	1113

SECTION 3

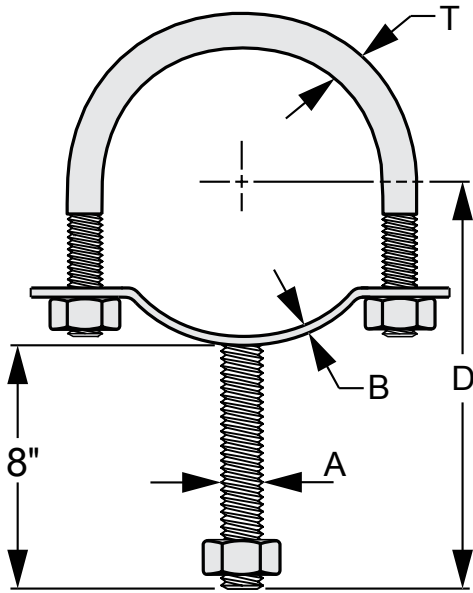
G-FORCE® SADDLE / SUPPORTS



SADDLE /
SUPPORTS

PIPE SADDLE

PIPE SADDLE SUPPORT – SERIES W240



- Size Range:** 2" through 12" pipe size.
- Material:** Carbon Steel.
- Finish:** Plain
- Ordering:** Specify pipe size; finish; and series #.
- Approvals:** Complies with Federal Specification WW-H-171E (Type 8), also A-A-1192 (Type 8) and Manufacturers Standardization Society SP-69 (Type 8).
- Function:** Recommended for supporting and stabilizing horizontal pipe runs.
- Available In:** Electro-Galvanized.

PART #	PIPE SIZE	ROD SIZE (A)	SIZE (B)	THICKNESS (T)	SIZE (D)	LBS./100pcs
W240120	2"	5/8	1/4 x 1	1/4"	9-7/16"	120
W240124	2-1/2"	5/8	1/4 x 1	3/8"	9-5/8"	140
W240130	3"	5/8	1/4 x 1	3/8"	10"	160
W240140	4"	7/8	1/4 x 1-1/4	1/2"	10-1/2"	300
W240150	5"	7/8	1/4 x 1-1/4	1/2"	11"	320
W240160	6"	1	1/4 x 1-1/2	5/8"	11-5/8"	490
W240180	8"	1	1/4 x 1-1/2	5/8"	12-5/8"	620
W2401100	10"	1-1/4	1/2 x 2	5/8"	13-7/8"	1050
W2401120	12"	1-1/4	1/2 x 2	5/8"	14-7/8"	1180

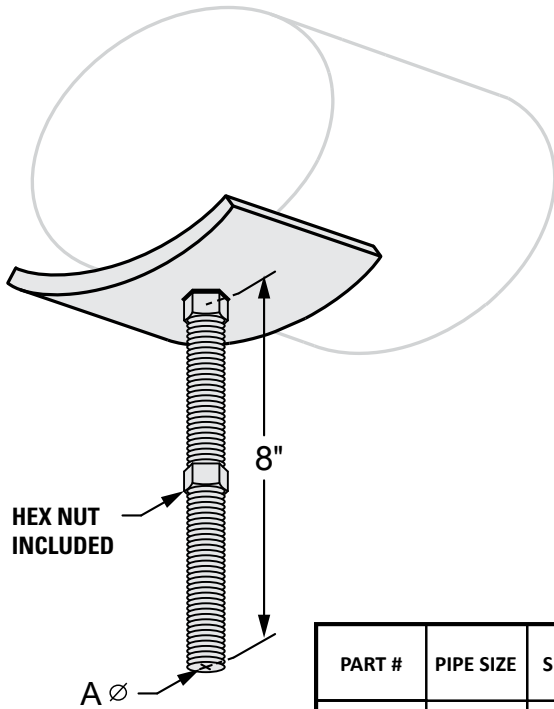
All above saddle supports are plain steel.
 To order other finishes, change the 5th character in the Part # as seen below:
 ELECTRO-GALVANIZED = 2
 Example: **W240120** = ELECTRO-GALV
 2

PIPE SADDLE

G-FORCE®

Section 3

PIPE SADDLE SUPPORT w/STUD – SERIES W245



Size Range: 2" thru 12" pipe size.

Material: Steel.

Finish: Plain.

Ordering: Specify pipe size; finish and series #.

Approvals: Complies with Federal Specification WW-H-171E & A-A-1192A (Type 39) and Manufacturers Standardization Society MSS SP-69 & SP-58 (Type 38).

Function: Design for support of horizontal pipe from floor stand where vertical adjustment is required. Shank will fit into Schedule 40 pipe size and stand 'B'.

Available In: Electro-Glvanized

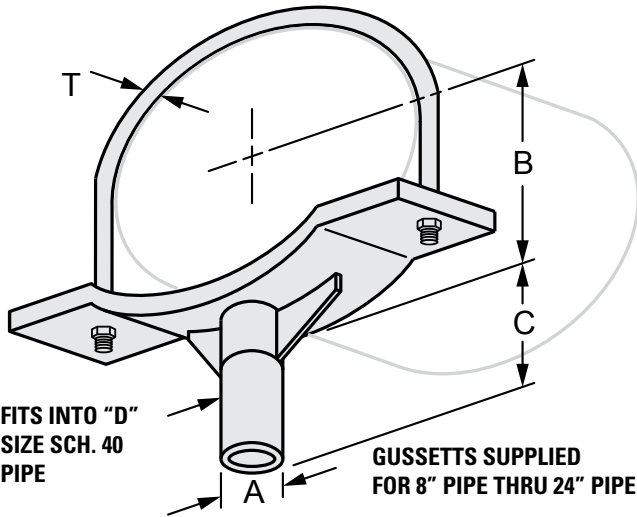
PART #	PIPE SIZE	SIZE (A)	MAX. O.D. OF PIPE	SCHEDULED 40 PIPE SIZE	LBS./ 100pcs
W245120	2"	7/8"	2-3/8"	1"	167
W245124	2-1/2"	7/8"	2-7/8"	1"	171
W245130	3"	7/8"	3-1/2"	1"	176
W245134	3-1/2"	1"	4"	1"	345
W245140	4"	1"	4-1/2"	1"	360
W245150	5"	1"	5-9/16"	1"	381
W245160	6"	1-1/4"	6-5/8"	1-1/4"	550
W245180	8"	1-1/4"	8-5/8"	1-1/4"	700
W2451100	10"	1-1/2"	10-3/4"	1-1/2"	766
W2451120	12"	1-1/2"	12-3/4"	1-1/2"	895

All above saddle supports are plain steel.
 To order other finishes, change the 5th character in the Part # as seen below:
 ELECTRO-GALVANIZED = 2
 Example: **W245120** = ELECTRO-GALV
 2

SADDLE /
SUPPORTS

PIPE SADDLE

HEAVY DUTY PIPE SADDLE w/ U-BOLT – SERIES W250



- Size Range:** 4" through 24" pipe size.
- Material:** Carbon Steel.
- Finish:** Plain
- Ordering:** Specify pipe size; finish; and series #.
- Function:** Recommended for supporting and stabilizing horizontal pipe runs.
- Available In:** Electro-Galvanized, 304 & 316 Stainless Steel.

PART #	PIPE SIZE	SIZE (A)	SIZE(B)	SIZE (C)	SIZE (D)	THICKNESS (T)	LBS./100pcs
W250140	4"	2-3/8"	3-3/4"	3"	2-1/2"	1/2"	560
W250150	5"	2-3/8"	4-1/8"	3"	2-1/2"	1/2"	600
W250160	6"	2-3/8"	4-7/8"	3"	2-1/2"	5/8"	780
W250180	8"	2-3/8"	6-7/8"	4"	2-1/2"	5/8"	1080
W2501100	10"	2-3/8"	7-7/8"	4"	2-1/2"	3/4"	1360
W2501120	12"	2-3/8"	9-1/8"	4"	2-1/2"	7/8"	1720
W2501140	14"	2-7/8"	10-1/2"	4"	3"	7/8"	2840
W2501160	16"	2-7/8"	11-1/2"	4"	3"	7/8"	3120
W2501180	18"	3-3/4"	13-1/2"	4"	4"	1"	4000
W2501200	20"	3-3/4"	14-1/2"	4"	4"	1"	4260
W2501240	24"	3-3/4"	17-1/2"	4"	4"	1"	4580

All above saddle supports are plain steel. To order other finishes, change the 5th character in the Part # as seen below:

- STAINLESS STEEL (304) = 8
- STAINLESS STEEL (316) = 0
- ELECTRO-GALVANIZED = 2

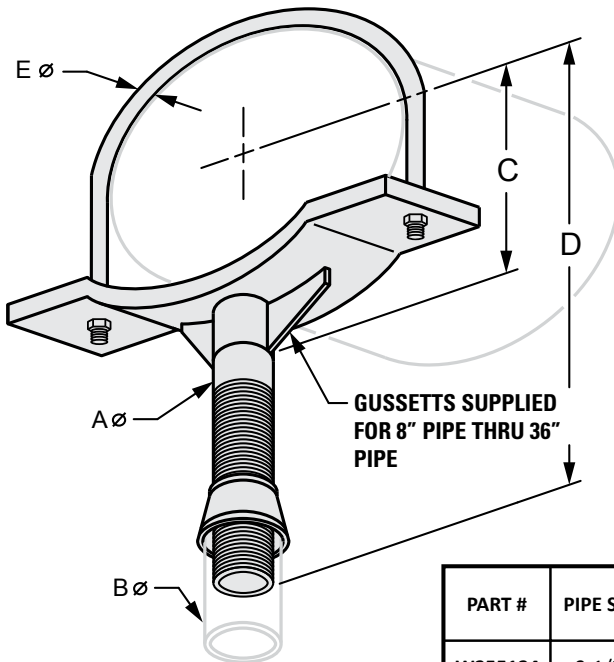
Example: **W250.140** = ELECTRO-GALV
2

PIPE SADDLE

G-FORCE®

Section 3

ADJUSTABLE PIPE SADDLE SUPPORT w/U-BOLT – SERIES W255



Size Range: 2-1/2" through 36" pipe size.

Material: Steel.

Finish: Plain

Ordering: Specify pipe size; finish; and series #.

Approvals: Complies with Federal Specifications A-A-1192 (Type 38) and Manufacturers' Standardization Society ANSI/SP-69 and SP-58 (Type 38).

Function: Designed to support horizontal pipe. Normally used in conjunction with Series W275 threaded base stand to provide vertical adjustment of the pipe. The U-bolt is used to secure the pipe to the saddle.

Available In: Electro-Galvanized.

SADDLE /
SUPPORTS

All above saddle supports are plain steel. To order other finishes, change the 5th character in the Part # as seen below:

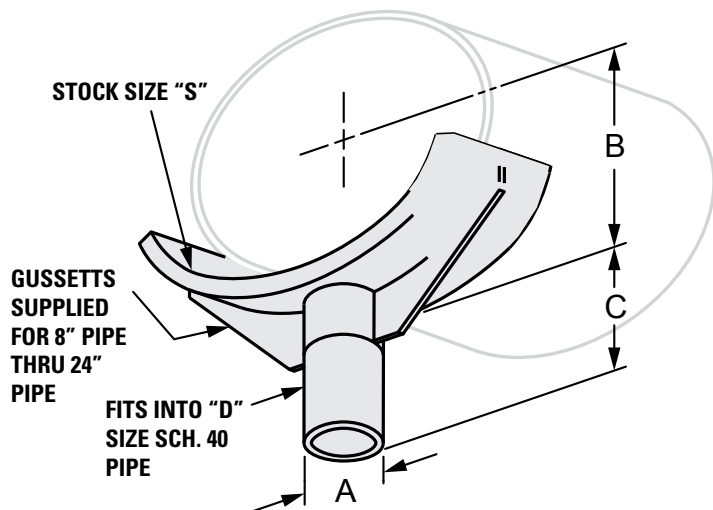
ELECTRO-GALVANIZED = 2

Example: **W255124** = ELECTRO-GALV
2

PART #	PIPE SIZE	SIZE (A)	SIZE (B)	SIZE (C)	ADJUSTMENT (D)		SIZE (F)	LBS./100pcs
					MIN.	MAX.		
W255124	2-1/2"	1-1/2"	2-1/2"	3-11/16"	9-7/16"	13-15/16"	1/2"	890
W255130	3"	1-1/2"	2-1/2"	4"	9-3/4"	14-1/4"	1/2"	905
W255134	3-1/2"	1-1/2"	2-1/2"	4-1/4"	10"	14-1/2"	1/2"	925
W255140	4"	2-1/2"	3"	4-1/2"	10-3/4"	15-1/4"	1/2"	1325
W255150	5"	2-1/2"	3"	5-1/16"	11-5/16"	15-13/16"	1/2"	1345
W255160	6"	2-1/2"	3"	5-11/16"	11-15/16"	16-7/16"	5/8"	1625
W255180	8"	2-1/2"	3"	6-11/16"	12-15/16"	17-7/16"	5/8"	1795
W2551100	10"	2-1/2"	3"	8"	14-1/4"	18-3/4"	3/4"	2255
W2551120	12"	2-1/2"	3"	9"	15-1/4"	19-3/4"	7/8"	2610
W2551140	14"	3"	4"	11-3/4"	17-1/2"	22"	7/8"	4165
W2551160	16"	3"	4"	12-3/4"	18-1/2"	23"	7/8"	4410
W2551180	18"	4"	6"	15"	20-3/4"	25-1/4"	1"	7090
W2551200	20"	4"	6"	16"	21-3/4"	26-1/4"	1"	7375
W2551240	24"	4"	6"	18-1/2"	24-1/4"	28-3/4"	1"	9160
W2551300	30"	4"	6"	21"	26-3/4"	31-1/4"	1"	10655
W2551360	36"	4"	6"	24"	29-3/4"	34-1/4"	1"	11250

PIPE SADDLE

HEAVY DUTY PIPE SADDLE – SERIES W260



- Size Range:** 4" through 24" pipe size.
- Material:** Carbon Steel.
- Finish:** Plain
- Ordering:** Specify pipe size; finish; and series #.
- Function:** Recommended for supporting horizontal pipe runs.

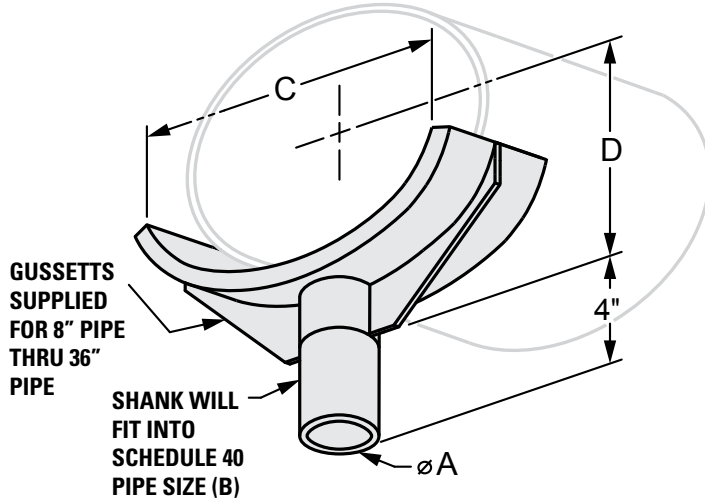
PART #	PIPE SIZE	SIZE (A)	SIZE(B)	SIZE (C)	SIZE (D)	SIZE (S)	LBS./100pcs
W260140	4"	2-3/8"	3-3/4"	3"	2-1/2"	3/8" x 4"	400
W260150	5"	2-3/8"	4-1/8"	3"	2-1/2"	3/8" x 4"	460
W260160	6"	2-3/8"	4-7/8"	3"	2-1/2"	3/8" x 4"	490
W260180	8"	2-3/8"	6-7/8"	4"	2-1/2"	3/8" x 4"	760
W2601100	10"	2-3/8"	7-7/8"	4"	2-1/2"	3/8" x 4"	850
W2601120	12"	2-3/8"	9-1/8"	4"	2-1/2"	3/8" x 4"	960
W2601140	14"	2-7/8"	10-1/2"	4"	3"	1/2" x 4"	1450
W2601160	16"	2-7/8"	11-1/2"	4"	3"	1/2" x 4"	1580
W2601180	18"	3-3/4"	13-1/2"	4"	4"	1/2" x 5"	2250
W2601200	20"	3-3/4"	14-1/2"	4"	4"	1/2" x 5"	2400
W2601240	24"	3-3/4"	17-1/2"	4"	4"	1/2" x 5"	3000

PIPE SADDLE

G-FORCE®

Section 3

HEAVY DUTY PIPE SADDLE – SERIES W261



Size Range: 2-1/2" through 36" pipe size.

Material: Steel.

Finish: Plain

Ordering: Specify pipe size; finish; and series #.

Approvals: Complies with Federal Specifications A-A-1192A (Type 36) and Manufacturers' Standardization Society ANSI/SP-69 and SP-58 (Type 36).

Function: Designed to support horizontal pipe running close to the floor. Normally used in conjunction with floor stanchions.

Available In: Electro-Galvanized, 304 & 316 Stainless Steel.

All above saddle supports are plain steel. To order other finishes, change the 5th character in the Part # as seen below:

STAINLESS STEEL (304) = 8
STAINLESS STEEL (316) = 0
ELECTRO-GALVANIZED = 2

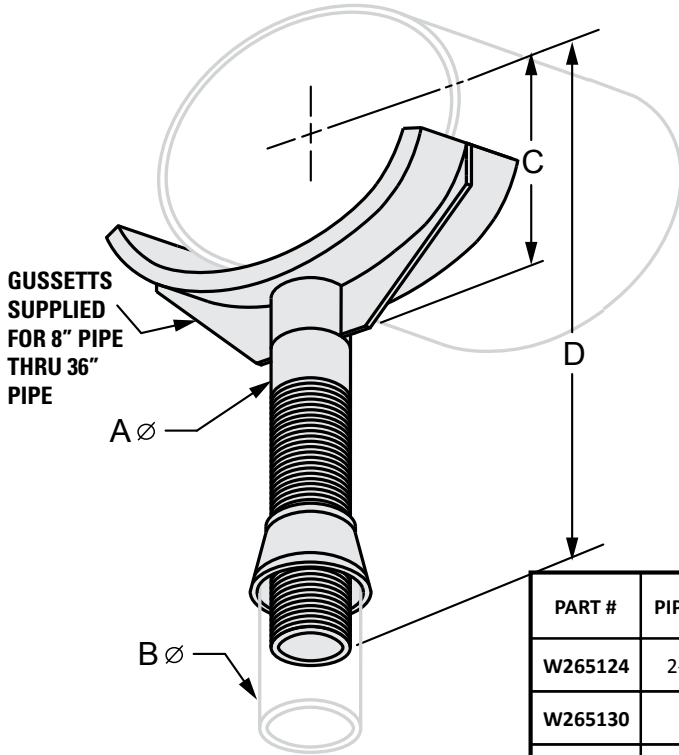
Example: W261124 = ELECTRO-GALV
2

PART #	PIPE SIZE	SIZE (A)	SIZE (B)	SIZE (C)	SIZE (D)	LBS./100pcs
W261124	2-1/2"	1-1/2"	1-1/2"	2-1/2"	3-11/16"	167
W261130	3"	1-1/2"	1-1/2"	3-1/32"	4"	176
W261134	3-1/2"	1-1/2"	1-1/2"	3-7/16"	4-1/4"	188
W261140	4"	2-3/8"	2-1/2"	4-1/4"	4-1/2"	360
W261150	5"	2-3/8"	2-1/2"	4-13/16"	5-1/16"	381
W261160	6"	2-3/8"	2-1/2"	6-1/16"	5-11/16"	550
W261180	8"	2-3/8"	2-1/2"	7-15/16"	6-11/16"	760
W2611100	10"	2-3/8"	2-1/2"	9-5/8"	7-7/8"	766
W2611120	12"	2-3/8"	2-1/2"	11-11/16"	8-7/8"	895
W2611140	14"	2-7/8"	3"	12-1/8"	11-5/8"	1654
W2611160	16"	2-7/8"	3"	13-7/8"	12-5/8"	1870
W2611180	18"	4"	4"	15-19/32"	14-3/4"	2798
W2611200	20"	4"	4"	17-5/16"	15-3/4"	3020
W2611240	24"	4"	4"	20-25/32"	18"	4146
W2611300	30"	4"	4"	26"	21"	7624
W2611360	36"	4"	4"	31-3/16"	24"	8877

PIPE SADDLE

ADJUSTABLE PIPE SADDLE SUPPORT – SERIES W265

SADDLE /
SUPPORTS

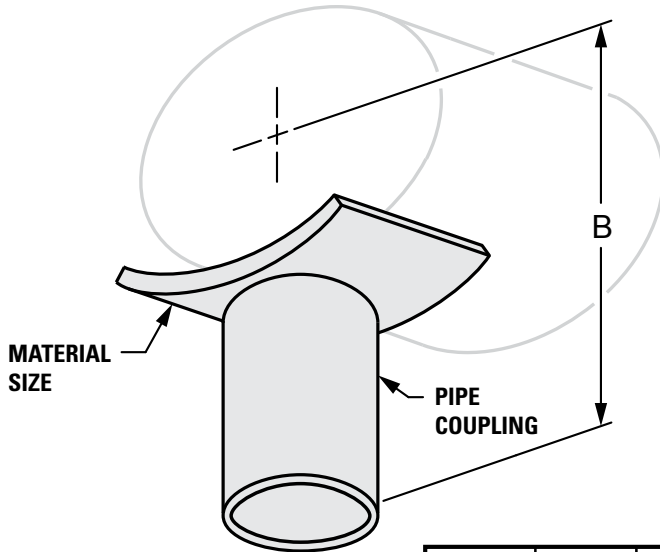


- Size Range:** 2-1/2" through 36" pipe size.
- Material:** Steel.
- Finish:** Plain
- Ordering:** Specify pipe size; finish; and series #.
- Approvals:** Complies with Federal Specifications A-A-1192 (Type 38) and Manufacturers' Standardization Society ANSI/SP-69 and SP-58 (Type 38).
- Function:** Designed to support horizontal pipe. Normally used in conjunction with Series W275 threaded base stand to provide vertical adjustment of the pipe.
- Available In:** Electro-Glavanized.

All above saddle supports are plain steel. To order other finishes, change the 5th character in the Part # as seen below:
 ELECTRO-GALVANIZED = 2
 Example: **W265 1 24** = ELECTRO-GALV
2

PART #	PIPE SIZE	SIZE (A)	SIZE (B)	SIZE (C)	ADJUSTMENT (D)		LBS./100pcs
					MIN.	MAX.	
W265124	2-1/2"	1-1/2"	2-1/2"	3-11/16"	9-7/16"	13-15/16"	525
W265130	3"	1-1/2"	2-1/2"	4"	9-3/4"	14-1/4"	550
W265134	3-1/2"	1-1/2"	2-1/2"	4-1/4"	10"	14-1/2"	550
W265140	4"	2-1/2"	3"	4-1/2"	10-3/4"	15-1/4"	1060
W265150	5"	2-1/2"	3"	5-1/16"	11-5/16"	15-13/16"	1081
W265160	6"	2-1/2"	3"	5-11/16"	11-15/16"	16-7/16"	1234
W265180	8"	2-1/2"	3"	6-11/16"	12-15/16"	17-7/16"	1500
W2651100	10"	2-1/2"	3"	7-7/8"	14-1/8"	18-5/8"	1614
W2651120	12"	2-1/2"	3"	8-7/8"	15-1/8"	19-5/8"	1768
W2651140	14"	3"	4"	11-5/8"	17-3/8"	21-7/8"	2818
W2651160	16"	3"	4"	12-5/8"	18-3/8"	22-7/8"	3010
W2651180	18"	4"	6"	14-3/4"	20-1/2"	25"	4998
W2651200	20"	4"	6"	15-3/4"	21-1/2"	26"	5200
W2651240	24"	4"	6"	18"	23-3/4"	28-1/4"	6347
W2651300	30"	4"	6"	21"	26-3/4"	31-1/4"	9224
W2651360	36"	4"	6"	24"	29-3/4"	34-1/4"	11077

PIPE SADDLE SUPPORT w/ COUPLING – SERIES W270



- Size Range:** 1-1/2" thru 12" pipe size.
- Material:** Steel.
- Finish:** Plain.
- Ordering:** Specify pipe size; finish and series #.
- Function:** Design to support horizontal pipe from floor stanchions. Normally used in conjunction with Series W275 threaded base stand.
- Available In:** Electro-Galvanized, 304 & 316 Stainless Steel.

SADDLE /
SUPPORTS

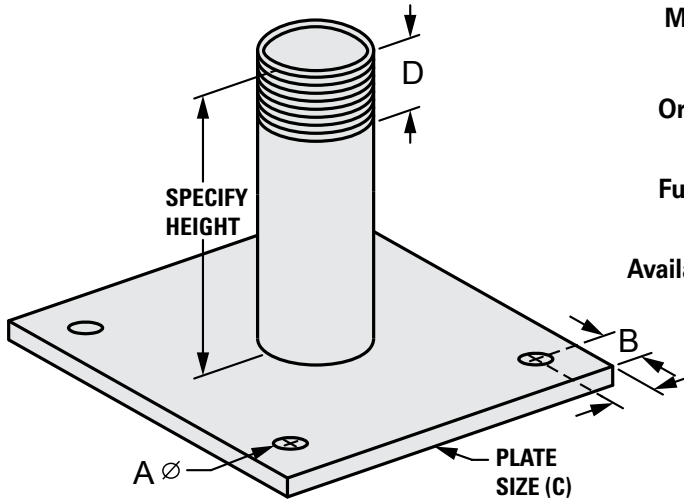
PART #	PIPE SIZE	SIZE (B)	COUPLING PIPE SIZE	LBS./ 100pcs
W270114	1-1/2"	3-1/4"	1-1/4"	85
W270120	2"	3-5/8"	1-1/4"	112
W270124	2-1/2"	3-7/8"	1-1/2"	162
W270130	3"	4-3/16"	1-1/2"	179
W270134	3-1/2"	4-7/16"	1-1/2"	194
W270140	4"	4-3/4"	2"	273
W270150	5"	2"	2"	309
W270160	6"	2-1/2"	2-1/2"	586
W270180	8"	2-1/2"	2-1/2"	688
W2701100	10"	3"	3"	1011
W2701120	12"	3"	3"	1128

All above saddle supports are plain steel. To order other finishes, change the 5th character in the Part # as seen below:

- STAINLESS STEEL (304) = 8
- STAINLESS STEEL (316) = 0
- ELECTRO-GALVANIZED = 2

Example: **W270, 8 14** = ELECTRO-GALV
2

THREADED BASE STAND – SERIES W275



Size Range: 1" thru 6" pipe size.

Material: Steel.

Finish: Plain.

Ordering: Specify pipe size; height; finish and series #.

Function: Design for use as a base stand for pipe supports.

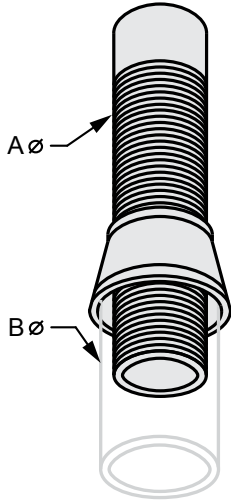
Available In: Electro-Galvanized, 304 & 316 Stainless Steel.

Notes: Weight is based on a height of 18"

PART #	PIPE SIZE	SIZE (A)	SIZE (B)	PLATE SIZE (C)	SIZE (D)	LBS./100pcs
W278110	1-1/2"	9/16"	1"	1/4" x 6" x 6"	1-1/2"	495
W278120	1-2/4"	9/16"	1"	1/4" x 6" x 6"	1-1/2"	583
W278124	2-1/2"	9/16"	1"	1/4" x 6" x 6"	1-1/2"	649
W278130	3"	9/16"	1"	1/4" x 6" x 6"	1-1/2"	785
W278134	3-1/2"	9/16"	1-1/4"	3/8" x 8" x 8"	1-1/2"	1524
W278140	4"	13/16"	1-1/2"	3/8" x 12" x 12"	1-1/2"	2624
W275140	4"	15/16"	1-1/2"	1/2" x 12" x 12"	2"	3594
W275160	6"	1-1/8"	1-1/2"	1/2" x 18" x 18"	2"	7346

All above pipe stands are plain steel.
 To order other finishes, change the 5th character in the Part # as seen below:
 STAINLESS STEEL (304) = 8
 STAINLESS STEEL (316) = 0
 ELECTRO-GALVANIZED = 2
 Example: **W275,2'10** = ELECTRO-GALV
 2

PIPE SUPPORT ADJUSTER – SERIES W276



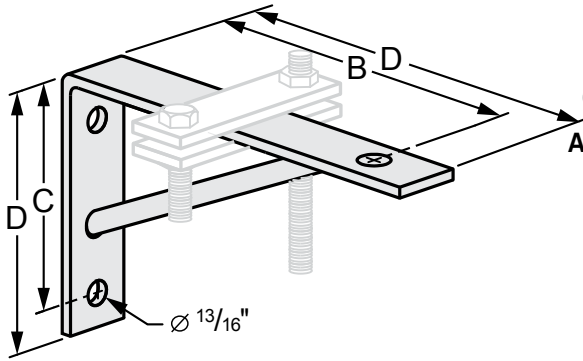
- Size Range:** 1-1/2" through 4" adjuster size.
- Material:** Steel Pipe with Malleable Iron Reducer.
- Finish:** Plain
- Ordering:** Specify adjuster size; finish; and series #.
- Approvals:** Complies with Federal Specifications A-A-1192 (Type 38) and Manufacturers' Standardization Society ANSI/SP-69 and SP-58 (Type 38) when used with Series W261.
- Function:** Designed to provide up to 4-1/2" of vertical adjustment after installation. Normally used in conjunction with Series W275 threaded base stand, Series W261 pipe saddle support or Series W255 saddle support with U-bolt.
- Available In:** Electro-Galvanized.

PART #	ADJUSTER SIZE	FOR PIPE SIZES	SIZE (A)	SIZE(B)	ADJUSTMENT MAX.	LBS./100pcs
W276114	1-1/2"	2-1/2" to 3-1/2"	1-1/2"	2-1/2"	4-1/2"	405
W276124	2-1/2"	4" to 12"	2-1/2"	3"	4-1/2"	830
W276130	3-1/2"	14" to 16"	3"	4"	4-1/2"	1260
W276140	4"	18" to 26"	4"	6"	4-1/2"	2260

All above pipe supports are plain steel.
 To order other finishes, change the 5th character in the Part # as seen below:
 ELECTRO-GALVANIZED = 2
 Example: **W276,214** = ELECTRO-GALV
 2

SADDLE /
SUPPORTS

LIGHT DUTY WALL BRACKET – SERIES W280



- Size Range:** 9", 13" or 19" size.
- Material:** Low Carbon Steel.
- Finish:** Plain.
- Ordering:** Specify size; finish and series #.
- Approvals:** Complies with Federal Specifications A-A-1192 (Type 31) and Manufacturers' Standardization Society ANSI/SP-69 and SP-58 (Type 31).
- Function:** Design to suspend hanger rod for support light loads under 750lbs. Normally used in conjunction with Series W281 wall bracket clip.
- Available In:** Electro-Galvanized, 304 & 316 Stainless Steel.

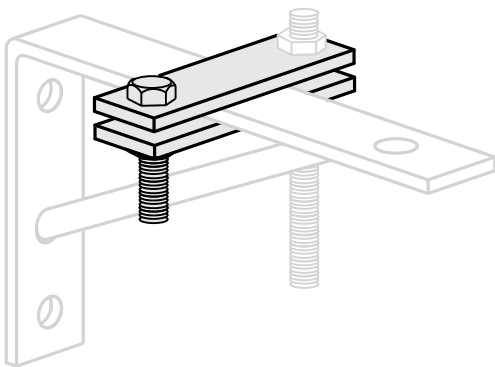
All wall brackets are plain steel. To order other finishes, change the 5th character in the Part # as seen below:

STAINLESS STEEL (304) = 8
 STAINLESS STEEL (316) = 0
 ELECTRO-GALVANIZED = 2

Example: **W280, 8 90** = ELECTRO-GALV
 2

PART #	SIZE (B)	SIZE (C)	SIZE (D)	MAXIMUM RECOMMENDED LOAD(lbs.)	LBS./100pcs
W280190	8"	6-1/2"	9"	750	600
W2801130	12"	10-1/2"	13"	750	870
W2801190	18"	16-1/2"	19"	750	1060

WALL BRACKET CLIP – SERIES W281



- Size Range:** 3/8 or 1/2" rod size.
- Material:** Low Carbon Steel.
- Finish:** Plain.
- Ordering:** Specify rod size; finish and series #.
- Function:** Design for use in conjunction with Series W280 wall bracket, to allow the rod to be suspended at any point along the length of the bracket.
- Available In:** Electro-Galvanized, 304 & 316 Stainless Steel.

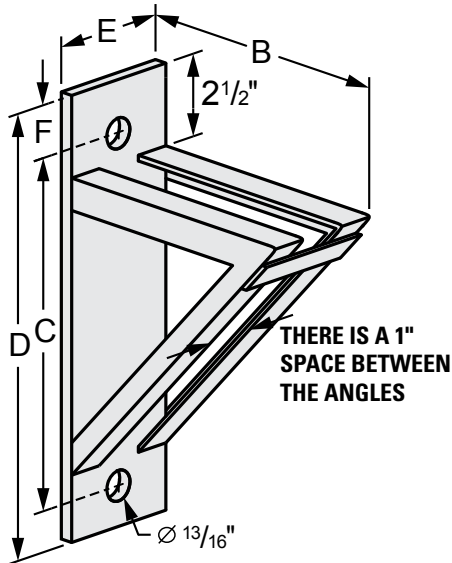
All wall brackets clips are plain steel. To order other finishes, change the 5th character in the Part # as seen below:

STAINLESS STEEL (304) = 8
 STAINLESS STEEL (316) = 0
 ELECTRO-GALVANIZED = 2

Example: **W281, 3/8 03** = ELECTRO-GALV
 2

PART #	ROD SIZE	FOR PIPE SIZE	LBS./100pcs
W281103	3/8"	1/2" to 2"	73
W281104	1/2"	2-1/2" to 3-1/2"	144

MEDIUM DUTY WALL BRACKET – SERIES W290



Size Range: 12", 18" or 24" bracket size.

Material: Low Carbon Steel.

Finish: Plain.

Ordering: Specify size; finish and series #.

Approvals: Complies with Federal Specifications A-A-1192A (Type 32) and Manufacturers' Standardization Society ANSI/SP-69 and SP-58 (Type 32).

Function: Design for the suspension of loads up to 1500lbs from walls or structures. The 1" space between the angles allows the rod to be placed anywhere along the length of the brackets.

Available In: Electro-Galvanized, 304 & 316 Stainless Steel.

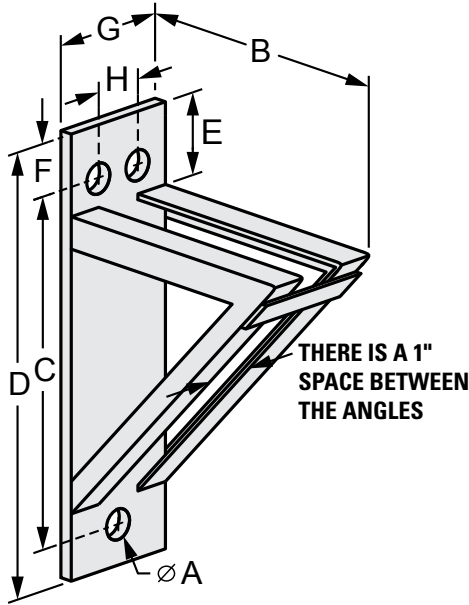
PART #	SIZE (B)	SIZE (C)	SIZE (D)	SIZE (E)	SIZE (F)	ANGLE IRON SIZE	MAXIMUM RECOMMENDED LOAD(lbs.)	LBS./100pcs
W2901120	12"	15-1/2"	18"	4"	1-1/4"	1-1/2" x 1-1/2" x 3/16"	1500	1740
W2901180	18"	21-1/2"	24"	4-1/2"	1-1/4"	1-3/4" x 1-3/4" x 3/16"	1500	2730
W2901240	24"	27-1/2"	30"	5"	1-1/4"	2" x 2" x 1/4"	1500	4760

All above wall brackets are plain steel.
 To order other finishes, change the 5th character in the Part # as seen below:
 STAINLESS STEEL (304) = 8
 STAINLESS STEEL (316) = 0
 ELECTRO-GALVANIZED = 2
 Example: **W2901120** = ELECTRO-GALV
2

SADDLE /
SUPPORTS

SUPPORTS

HEAVY DUTY WALL BRACKET – SERIES W291



Size Range: 12" thru 42" bracket size.

Material: Low Carbon Steel.

Finish: Plain.

Ordering: Specify size; finish and series #.

Approvals: Complies with Federal Specifications A-A-1192A (Type 33) and Manufacturers' Standardization Society ANSI/SP-69 and SP-58 (Type 33).

Function: Design for the support or suspension of loads up to 3000lbs from walls or structures. The 1" space between the angles allows the rod to be placed anywhere along the length of the brackets.

Available In: Electro-Galvanized, 304 & 316 Stainless Steel.

Notes: *One Hole

PART #	SIZE (A)	SIZE (B)	SIZE (C)	SIZE (D)	SIZE (E)	SIZE (F)	SIZE (G)	SIZE (H)	ANGLE IRON SIZE	MAXIMUM RECOMMENDED LOAD(lbs.)	LBS./100pcs
W2911120	13/16"	12"	15-1/4"	18"	2-3/4"	1-1/2"	4"	*	2" x 1-1/2" x 1/4"	3000	2433
W2911180	15/16"	18"	21-3/8"	24"	2-3/4"	1-3/8"	5"	2-3/4"	2" x 2" x 1/4"	3000	5180
W2911240	1-1/16"	24"	27-1/2"	30"	2-3/4"	1-1/4"	5"	2-1/2"	2-1/2" x 2" x 5/16"	3000	6584
W2911300	1-1/16"	30"	33-1/4"	36"	3"	1-1/2"	5"	2-1/2"	2-1/2" x 2" x 5/16"	3000	8210
W2911360	1-1/16"	36"	39"	42"	3"	1-1/2"	6"	3-1/2"	3-1/2" x 2-1/2" x 3/8"	3000	1405.2
W2911420	1-1/16"	42"	46"	50"	3-1/2"	2"	6"	3-1/2"	3-1/2" x 2-1/2" x 3/8"	3000	1664.0

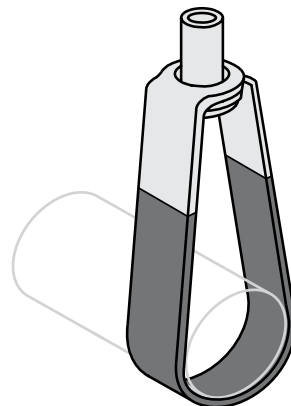
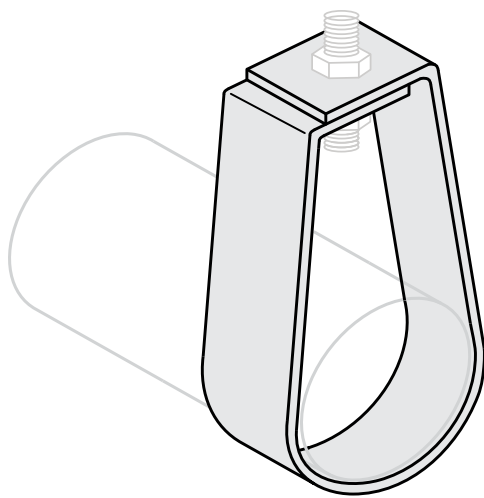
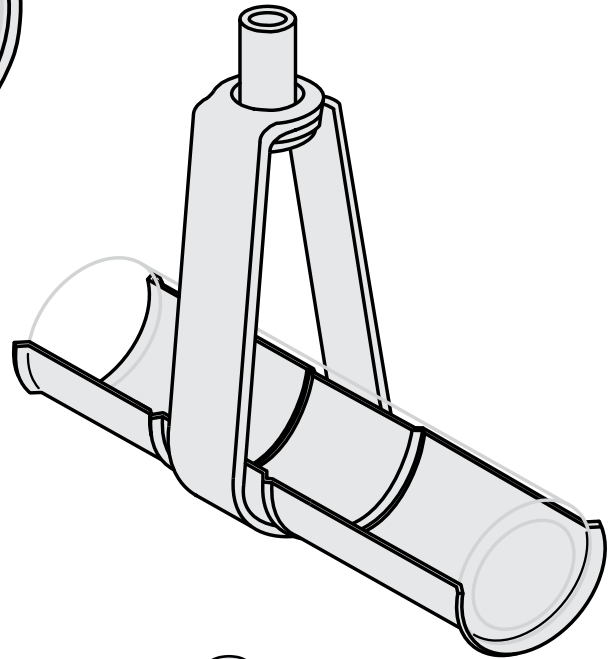
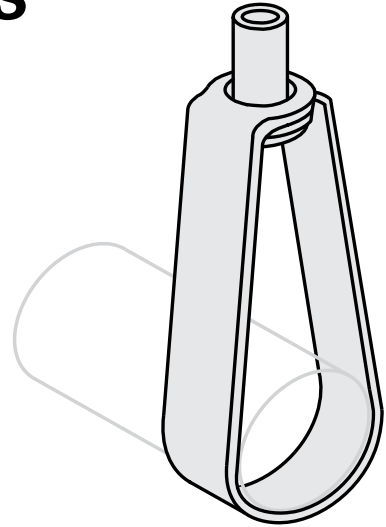
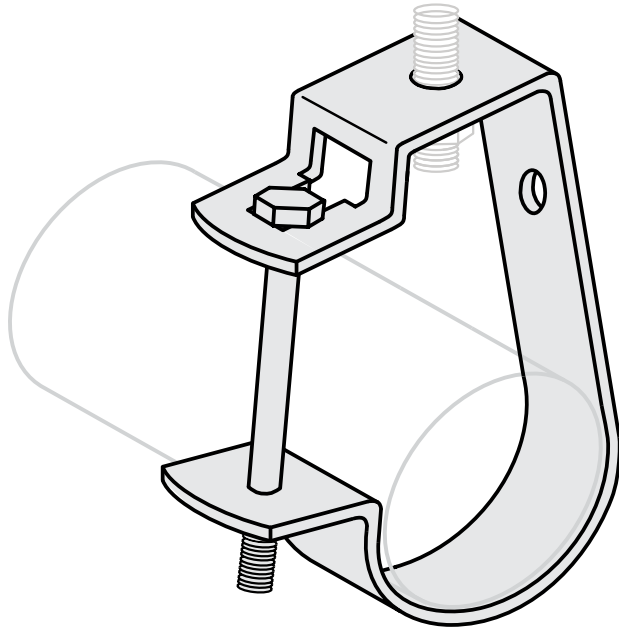
All above wall brackets are plain steel. To order other finishes, change the 5th character in the Part # as seen below:

STAINLESS STEEL (304) = 8
 STAINLESS STEEL (316) = 0
 ELECTRO-GALVANIZED = 2

Example: **W291, 2, 120** = ELECTRO-GALV
 2

SECTION 4

G-FORCE® SWIVEL HANGERS

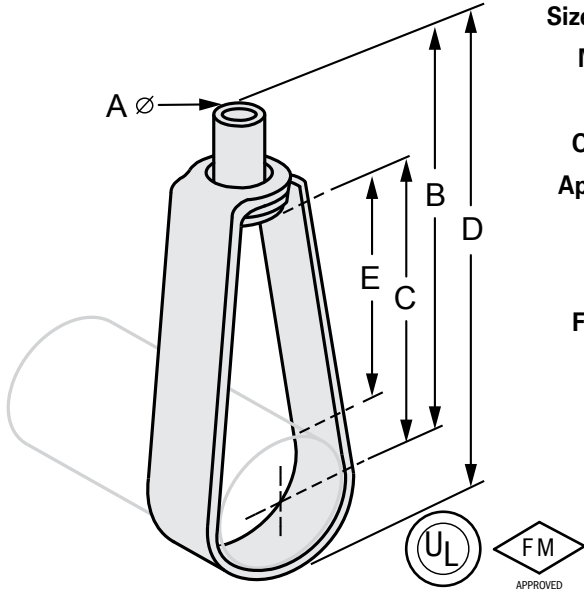


SWIVEL
HANGERS

IRON PIPE SWIVEL RING

IRON PIPE SWIVEL RING – SERIES W300 - W302

SWIVEL HANGERS



Size Range: 1/2" through 8" pipe size.

Material: Pre-Galvanized Carbon Steel with a Zinc Electroplate insert nut.

Finish: Pre-Galvanized

Ordering: Specify rod size; pipe size; finish and series #.

Approvals: UL Listing and FM Approved. Complies with Federal Specification WW-H-171E (Type 10) and A-A-1192A (Type 10) and Manufacturers Standardization Society SP-69 (Type 10) and NFPA standards for reduced rod sizes.

Function: Design and recommended for suspension of non-insulated stationary pipe lines. The hanger maybe installed prior to the erection of piping and also allows for vertical adjustment after installation.

Note: Can order this part with a washer up to 3/8" size (A). Cut off is 2" for the washer.

Series W301 is with a clear washer

Series W302 is with a blue washer

PART #	PIPE SIZE	SIZE (A)	SIZE (B)	SIZE (C)	SIZE (D)	SIZE (E)	MAXIMUM RECOMMENDED LOAD(lbs.)	CARTON QTY.	LBS./100pcs
W300404	1/2"	3/8"	2-1/2"	1-1/2"	3"	1-1/8"	400	100	8
W300406	3/4"	3/8"	2-5/8"	1-3/4"	3-1/8"	1-1/8"	400	100	9
W300410	1"	3/8"	2-3/4"	1-7/8"	3-3/8"	1-1/8"	400	100	10
W300412	1-1/4"	3/8"	2-7/8"	2-1/8"	3-3/4"	1-1/8"	400	100	11
W300414	1-1/2"	3/8"	3"	2-1/4"	4"	1-1/8"	400	100	13
W300420	2"	3/8"	3-3/8"	2-1/2"	4-5/8"	1-1/8"	400	100	14
W300424	2-1/2"	3/8"	4"	3-1/8"	5-1/2"	1-3/8"	600	50	30
W300430	3"	3/8"	4-5/8"	3-5/8"	6-3/8"	1-5/8"	600	50	32
W300434	3-1/2"	3/8"	5"	4"	7"	1-3/4"	600	50	36
W300440	4"	3/8"	5-1/4"	4-1/8"	7-1/2"	1-5/8"	1000	25	44
W300450	5"	1/2"	6"	5"	8-3/4"	1-7/8"	1000	20	56
W300460	6"	1/2"	7"	6"	10-3/8"	2-1/8"	1250	20	116
W300480	8"	1/2"	8-1/4"	7-1/8"	12-5/8"	2-3/8"	1250	10	150

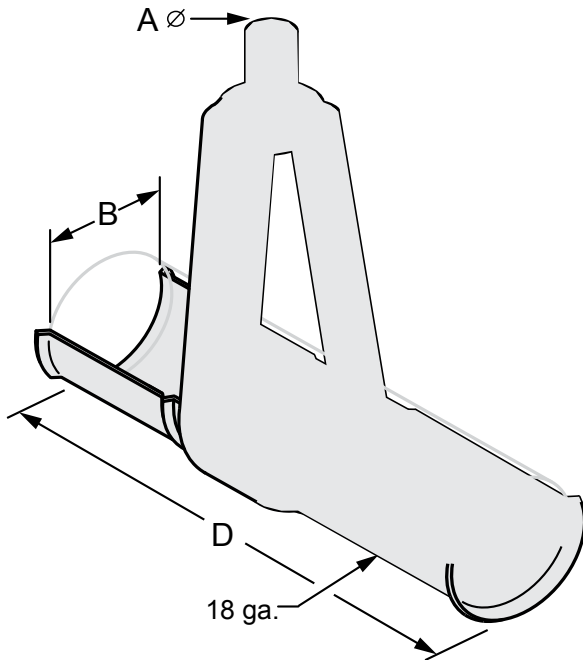
All above pipe swivel rings are pre-galv. To order other finishes, change the 5th character in the Part # as seen below:
 PRE GALVANIZED WITH FELT LINING = 12
 Example: **W300,4⁰4** = PRE GALV W/ FELT 12

IRON PIPE SWIVEL RING

G-FORCE®

Section 4

IRON PIPE SWIVEL RING HANGER w/ SECURED INSULATION SHIELD – SERIES W303



Above pipe swivel rings are pre-galvanized. To order other finishes, change the 5th character in the Part # as seen below:

STAINLESS STEEL (304) = 8

STAINLESS STEEL (316) = 0

Example: **W303**~~4~~**23** = STAINLESS STEEL (304)
8

Size Range: 3/8" through 3/4" rod size.

Material: Low Carbon Steel.

Finish: Pre-Galvanized

Ordering: Specify rod size; inside shield diameter and series #.

Function: Design for suspension of insulated pipe lines. Series W303 is a combination of our Series W561 shield welded to a Series W305 hanger, which ensures that the shield will be installed in conjunction with the hanger. Series W303 allows vertical adjustments after installation and offers maximum protection from crushing of the insulation by the hanger.

Available In :304 and 316 Stainless Steel

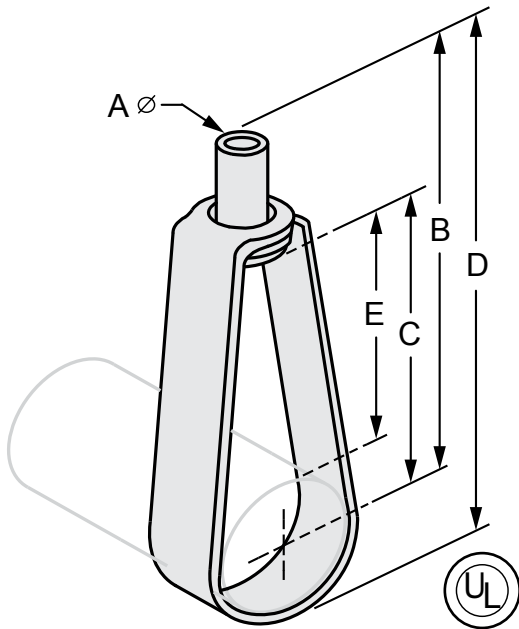
Note: All shields furnished with flared ends.

PART #	INSIDE DIAMETER OF SHIELD (B)	ROD SIZE (A)	SHIELD LENGTH (D)	HANGER SIZE	LBS./ INCH
W303423	2-3/8"	3/8"	8"	2"	.55
W303425	2-5/8"	1/2"	8"	2-1/2"	.80
W303427	2-7/8"	1/2"	8"	2-1/2"	.84
W303434	3-1/2"	1/2"	8"	3"	.99
W303440	4"	1/2"	8"	3-1/2"	1.12
W303444	4-1/2"	5/8"	8"	4"	1.26
W303450	5"	5/8"	8"	5"	1.58
W303455	5-5/8"	5/8"	8"	5"	1.70
W303460	6"	3/4"	8"	6"	2.20
W303465	6-5/8"	3/4"	8"	6"	2.35
W303475	7-5/8"	3/4"	12"	8"	3.40
W303485	8-5/8"	3/4"	12"	8"	3.67

SWIVEL HANGERS

IRON PIPE SWIVEL RING

IRON PIPE SWIVEL RING – SERIES W305 - W307



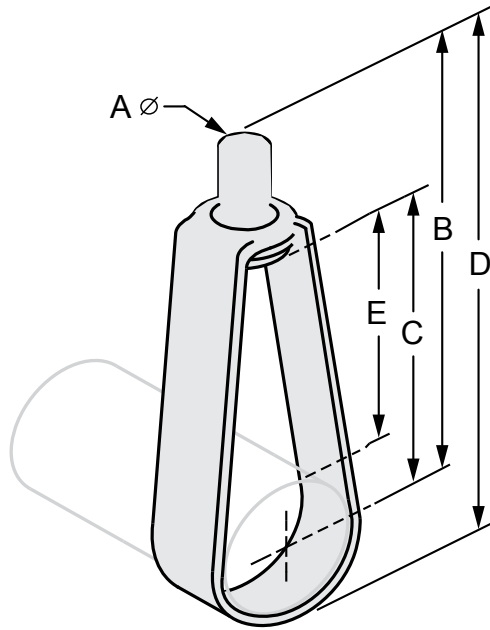
- Size Range:** 2-1/2" through 8" pipe size.
- Material:** Pre-Galvanized Carbon Steel with a Zinc Electroplate insert nut.
- Finish:** Pre-Galvanized.
- Ordering:** Specify rod size; pipe size; finish and series #.
- Approvals:** UL Listing. Complies with Federal Specification A-A-1192A (Type10), and Manufacturers' Standardization Society ANSI/SP-69 and SP-58 (Type 10).
- Function:** Design and recommended for suspension of non-insulated stationary pipe lines. The hanger may be installed prior to the erection of piping and also allows for vertical adjustment after installation.
- Note:** Can order this part with a washer up to 3/8" size (A). Cut off is 4" for the washer.
 Series W306 is with a clear washer
 Series W307 is with a blue washer

PART #	PIPE SIZE	SIZE (A)	SIZE(B)	SIZE (C)	SIZE (D)	SIZE (E)	MAXIMUM RECOMMENDED LOAD(lbs.)	CARTON QTY.	LBS./ 100pcs
W305424	2-1/2"	1/2"	3-7/8"	3-1/8"	5-3/8"	1-3/8"	600	50	24
W305430	3"	1/2"	4-1/2"	3-5/8"	6-1/4"	1-5/8"	600	50	28
W305434	3-1/2"	1/2"	4-7/8"	4"	6-7/8"	1-3/4"	600	50	32
W305440	4"	5/8"	5"	4-1/8"	7-1/4"	1-5/8"	1000	25	32
W305450	5"	5/8"	5-3/4"	4-1/4"	8-1/2"	1-7/8"	1000	20	62
W305460	6"	3/4"	6-3/4"	5-1/8"	10-1/8"	2-1/8"	1250	20	65
W305480	8"	3/4"	7-7/8"	7"	12-1/4"	2-3/8"	1250	10	100

All above pipe swivel rings are pre-galv. To order other finishes, change the 5th character in the Part # as seen below:
 PRE GALVANIZED WITH FELT LINING = 12
 Example: **W305.424** = PRE GALV W/ FELT
12

COPPER TUBING SWIVEL RING

COPPER TUBING SWIVEL RING – SERIES W310



- Size Range:** 1/2" through 6" pipe size.
- Material:** Carbon Steel.
- Finish:** Copper Plated
- Ordering:** Specify rod size; pipe size; finish and series #.
- Approvals:** Complies with Federal Specification WW-H-171E (Type 10) and A-A-1192A (Type 10) and Manufacturers Standardization Society SP-69 (Type 10).
- Function:** Design and recommended for suspension of copper tubing stationary pipe lines allowing for vertical adjustment after installation.

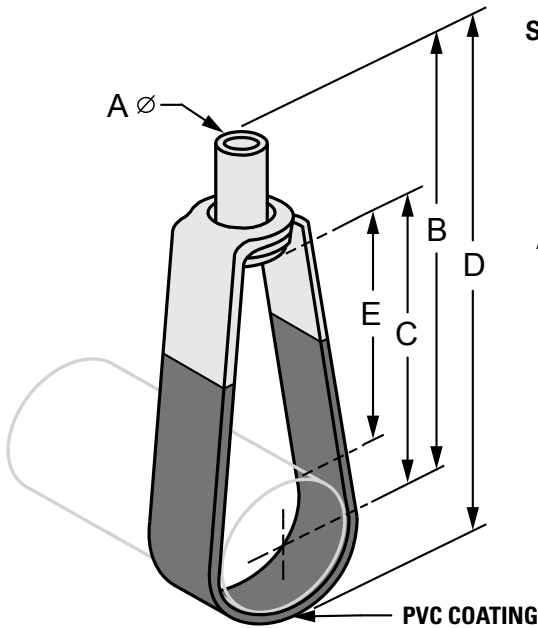
SWIVEL HANGERS

PART #	PIPE SIZE	SIZE (A)	SIZE (B)	SIZE (C)	SIZE (D)	SIZE (E)	MAXIMUM RECOMMENDED LOAD (lbs.)	CARTON QTY.	LBS./100pcs
W310304	1/2"	3/8"	2-3/4"	1-1/2"	3"	1-5/8"	400	100	9
W310306	3/4"	3/8"	2-3/4"	1-1/2"	3"	1-3/8"	400	100	9
W310310	1"	3/8"	2-1/2"	1-3/4"	3-1/4"	1-3/8"	400	100	10
W310312	1-1/4"	3/8"	2-5/8"	1-7/8"	3-3/8"	1"	400	100	11
W310314	1-1/2"	3/8"	2-3/4"	2-1/8"	4-3/4"	1-1/8"	400	100	12
W310320	2"	3/8"	3-1/8"	2-1/4"	4-1/8"	1-1/8"	400	100	14
W310324	2-1/2"	3/8"	3-1/2"	2-1/2"	4-3/4"	1-3/8"	600	50	30
W310330	3"	3/8"	3-7/8"	3-1/8"	5-3/8"	1-3/8"	600	50	32
W310340	4"	3/8"	4-1/8"	4"	7"	1-1/8"	1000	25	44
W310350	5"	5/8"	5-5/8"	4-1/8"	8-1/8"	1-1/4"	1000	20	66
W310360	6"	5/8"	7-5/8"	5"	10-3/4"	1-3/4"	1250	20	116

IRON PIPE SWIVEL RING

IRON PIPE SWIVEL RING – SERIES W320

-PVC COATED-



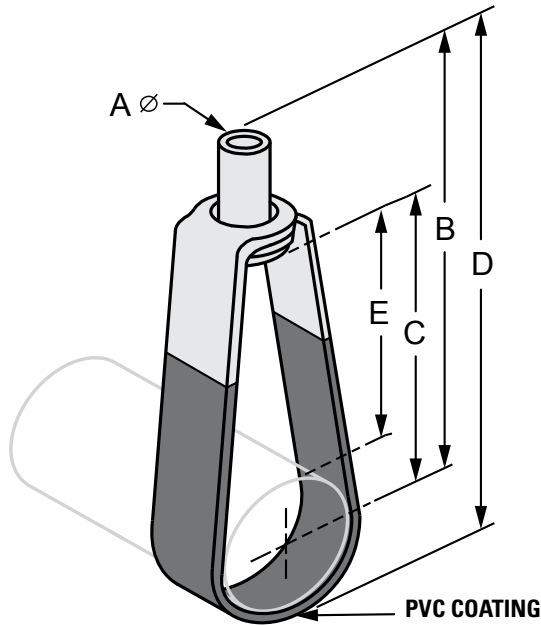
- Size Range:** 12" through 8" pipe size.
- Material:** Pre-Galvanized Carbon Steel with a Zinc Electroplate insert nut.
- Finish:** Pre-Galvanized
- Ordering:** Specify rod size; pipe size; finish and series #.
- Approvals:** Complies with Federal Specification WW-H-171E (Type 10) and A-A-1192A (Type10) and Manufacturers Standardization Society SP-69 (Type 10) and NFPA standards for reduced rod sizes.
- Function:** Design and recommended for suspension of non-insulated stationary pipe lines. The hanger maybe installed prior to the erection of piping and also allows for vertical adjustment after installation.

PART #	PIPE SIZE	SIZE (A)	SIZE (B)	SIZE (C)	SIZE (D)	SIZE (E)	MAXIMUM RECOMMENDED LOAD(lbs.)	CARTON QTY.	LBS./ 100pcs
W320504	1/2"	3/8"	2-1/2"	1-1/2"	3"	1-1/8"	400	100	8
W320506	3/4"	3/8"	2-5/8"	1-3/4"	3-1/8"	1-1/8"	400	100	9
W320510	1"	3/8"	2-3/4"	1-7/8"	3-3/8"	1-1/8"	400	100	10
W320512	1-1/4"	3/8"	2-7/8"	2-1/8"	3-3/4"	1-1/8"	400	100	11
W320514	1-1/2"	3/8"	3"	2-1/4"	4"	1-1/8"	400	100	13
W320520	2"	3/8"	3-3/8"	2-1/2"	4-5/8"	1-1/8"	400	100	14
W320524	2-1/2"	1/2"	4"	3-1/8"	5-1/2"	1-3/8"	600	50	30
W320530	3"	1/2"	4-5/8"	3-5/8"	6-3/8"	1-5/8"	600	50	32
W320534	3-1/2"	1/2"	5"	4"	7"	1-3/4"	600	50	36
W320540	4"	5/8"	5-1/4"	4-1/8"	7-1/2"	1-5/8"	1000	25	44
W320550	5"	5/8"	6"	5"	8-3/4"	1-7/8"	1000	20	56
W320560	6"	3/4"	7"	6"	10-3/8"	2-1/8"	1250	20	116
W320580	8"	3/4"	8-1/4"	7-1/8"	12-5/8"	2-3/8"	1250	10	150

COPPER TUBING SWIVEL RING

COPPER TUBING SWIVEL RING – SERIES W325

-PVC COATED-



Size Range: 12" through 6" pipe size.

Material: Carbon Steel.

Finish: Copper Plated.

Ordering: Specify rod size; pipe size; finish and series #.

Approvals: Complies with Federal Specification WW-H-171E (Type 10) and A-A-1192A (Type 10) and Manufacturers Standardization Society SP-69 (Type 10).

Function: Design and recommended for suspension of copper tubing stationary pipe lines allowing for vertical adjustment.

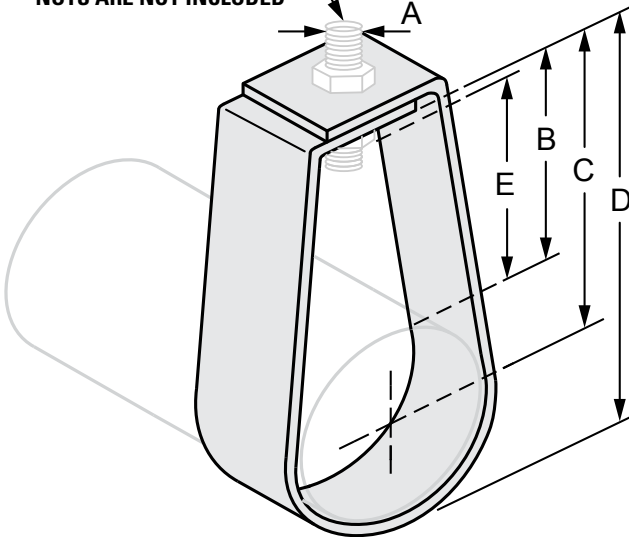
SWIVEL HANGERS

PART #	PIPE SIZE	SIZE (A)	SIZE(B)	SIZE (C)	SIZE (D)	SIZE (E)	MAXIMUM RECOMMENDED LOAD(lbs.)	CARTON QTY.	LBS./ 100pcs
W325504	1/2"	3/8"	2-3/4"	1-1/2"	3"	1-5/8"	400	100	9
W325506	3/4"	3/8"	2-3/4"	1-1/2"	3"	1-3/8"	400	100	9
W325510	1"	3/8"	2-1/2"	1-3/4"	3"	1-3/8"	400	100	10
W325512	1-1/4"	3/8"	2-5/8"	1-7/8"	3-1/4"	1"	400	100	11
W325514	1-1/2"	3/8"	2-3/4"	2-1/8"	3-3/4"	1-1/8"	400	100	12
W325520	2"	3/8"	3-1/8"	2-1/4"	4-1/8"	1-1/8"	400	100	14
W325524	2-1/2"	1/2"	3-1/2"	2-1/2"	4-3/4"	1-3/8"	600	50	30
W325530	3"	1/2"	3-7/8"	3-1/8"	5-3/8"	1-3/8"	600	50	32
W325540	4"	5/8"	4-1/8"	4"	6-1/4"	1-1/8"	1000	25	44
W325550	5"	5/8"	5-5/8"	4-1/8"	8-1/8"	1-1/4"	1000	20	66
W325560	6"	3/4"	7-5/8"	5"	10-3/4"	1-3/4"	1250	20	116

BAND HANGER

STAINLESS STEEL BAND HANGER – SERIES W330

ALL-THREAD AND 2 HEX NUTS ARE NOT INCLUDED



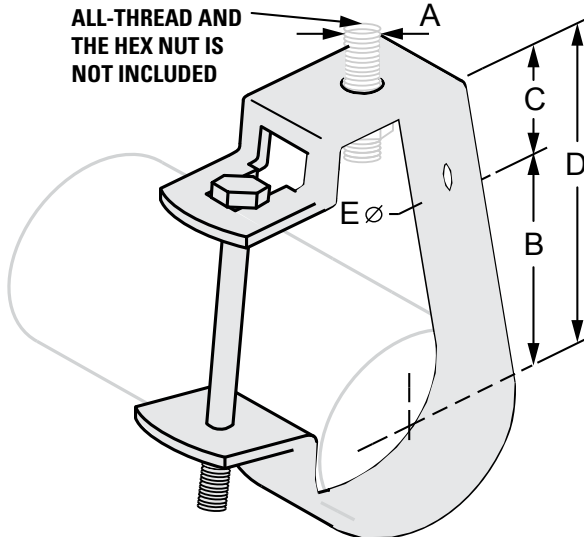
- Size Range:** 1/2" through 8" pipe size.
- Material:** Stainless Steel.
- Finish:** Stainless Steel 304 or Stainless Steel 316.
- Ordering:** Specify rod size; pipe size; finish and series #.
- Approvals:** Complies with Federal Specification WW-H-171E (Type 7) and A-A-1192A (Type 10) and Manufacturers Standardization Society SP-69 (Type 7).
- Function:** This hanger is formed in one piece giving a double thickness of stock at the point which carries the load. It has a vertical adjustment of 5/8" to 2" by means of a suspended steel rod threaded and two nuts. The lower nut adjust the pipe line to the proper pitch and the top nut due to vibration. The nuts are not included in the price of the hanger.
- Available In:** Plain Felt Lined, Electro-Galvanized, Plain with PVC Coating.

PART #	PIPE SIZE	SIZE (A)	SIZE (B)	SIZE (C)	SIZE (D)	SIZE (E)	MAXIMUM RECOMMENDED LOAD(lbs.)	CARTON QTY.	LBS./ 100pcs
W330804	1/2"	3/8"	1-1/8"	1-5/8"	2"	13/16"	610	BULK	10
W330806	3/4"	3/8"	1-1/8"	1-5/8"	2-1/8"	13/16"	610	BULK	12
W330810	1"	3/8"	1-1/4"	2"	2-5/8"	1"	610	BULK	14
W330812	1-1/4"	3/8"	1-3/8"	2-1/8"	3"	1"	610	BULK	16
W330814	1-1/2"	3/8"	1-1/2"	2-1/2"	3-3/8"	1-1/4"	610	BULK	17
W330820	2"	3/8"	1-3/4"	3"	4-1/8"	1-1/2"	610	BULK	32
W330824	2-1/2"	1/2"	1-5/8"	3"	4-1/2"	1-1/8"	970	BULK	36
W330830	3"	1/2"	1-1/2"	2"	2-5/8"	1"	970	BULK	57
W330840	4"	5/8"	1-1/2"	2-1/8"	3"	1"	970	BULK	68
W330850	5"	5/8"	2-1/8"	2-1/2"	3-3/8"	1-1/4"	970	BULK	82
W330860	6"	3/4"	2-3/8"	3"	4-1/8"	1-1/2"	1250	BULK	120
W330880	8"	3/4"	2-3/8"	3"	4-1/2"	1-1/8"	1800	BULK	220

All above band hangers are 304 stainless.
 To order other finishes, change the 5th character in the Part # as seen below:
 PLAIN W/ FELT LINING = 13
 PLAIN W/ PVC COATING = 5
 ELECTRO-GALVANIZED = 2
 Example: **W300,1804** = ELECTRO-GALV
2

J-TYPE HANGER

CONDUIT J-TYPE HANGER – SERIES W340



Size Range: 1/2" through 8" pipe size.

Material: Carbon Steel.

Finish: Electro-Galvanized.

Ordering: Specify rod size; pipe size; finish and series #.

Approvals: Complies with Federal Specification and A-A-1192A (Type 5) and Manufacturers Standardization Society SP-69 (Type 5).

Function: Recommended for the suspension of non-insulated stationary pipe lines. The "T" slot in the hanger permits the side bolt to be installed after installation and setting of pipe. The side hole permits optional wall mounting.

Available In: Electro-Galvanized with Felt Lining, Electro-Galvanized with PVC Coating.

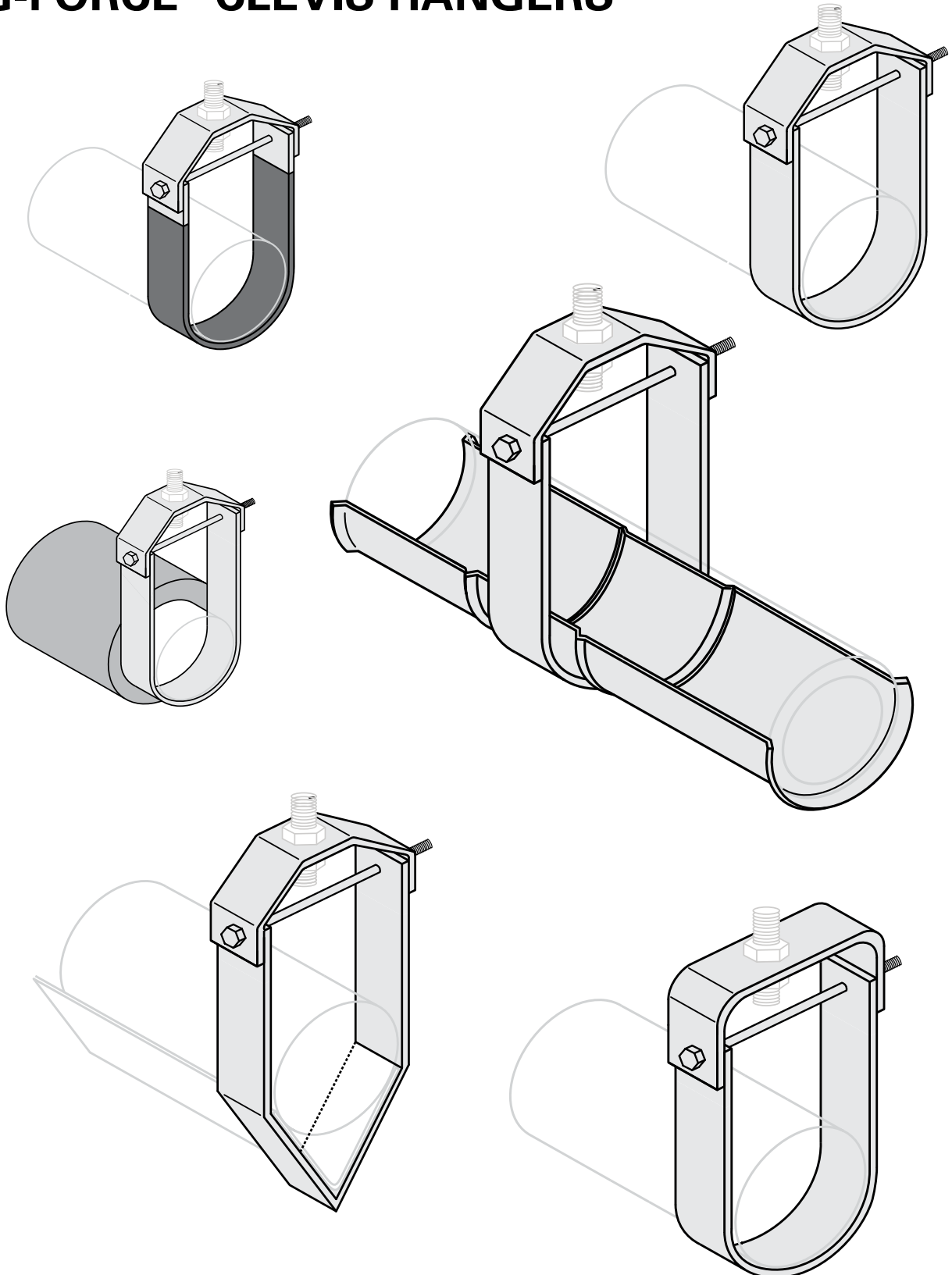
SWIVEL HANGERS

PART #	PIPE SIZE	SIZE (A)	SIZE (B)	SIZE (C)	SIZE (D)	SIZE (E)	MAXIMUM RECOMMENDED LOAD(lbs.)	CARTON QTY.	LBS./ 100pcs
W340204	1/2"	3/8"	2"	1"	2-5/8"	13/32"	400	100	20
W340206	3/4"	3/8"	2-1/4"	1"	2-7/8"	13/32"	400	100	23
W340210	1"	3/8"	2-3/8"	1"	3"	13/32"	400	100	24
W340212	1-1/4"	3/8"	2-1/2"	1"	3-1/4"	13/32"	400	100	27
W340214	1-1/2"	3/8"	2-5/8"	1"	3-1/2"	13/32"	400	100	29
W340220	2"	3/8"	2-5/8"	1-1/8"	3-3/4"	13/32"	400	100	32
W340224	2-1/2"	1/2"	3-5/8"	1-1/8"	4-3/8"	9/16"	800	50	71
W340230	3"	1/2"	4"	1-1/8"	2-7/8"	9/16"	800	50	77
W340230	3-1/2"	1/2"	4-1/4"	1-1/8"	5-1/8"	9/16"	800	50	84
W340240	4"	5/8"	5-1/8"	1-1/8"	6-1/8"	9/16"	800	25	139
W340250	5"	5/8"	5-3/4"	1-1/8"	6-3/4"	9/16"	800	20	166
W340260	6"	3/4"	6-1/2"	1-1/4"	7-3/4"	9/16"	1000	20	226
W340280	8"	7/8"	8"	1-1/4"	9-1/4"	9/16"	1200	10	332

All above j-type hangers are electro-galv. To order other finishes, change the 5th character in the Part # as seen below:
 ELECTRO-GALVANIZED W/ FELT LINING = 14
 ELECTRO-GALVANIZED W/ PVC COATING = 15
 Example: **W340204** = ELECTRO-GALV W/ FELT
14

SECTION 5

G-FORCE® CLEVIS HANGERS

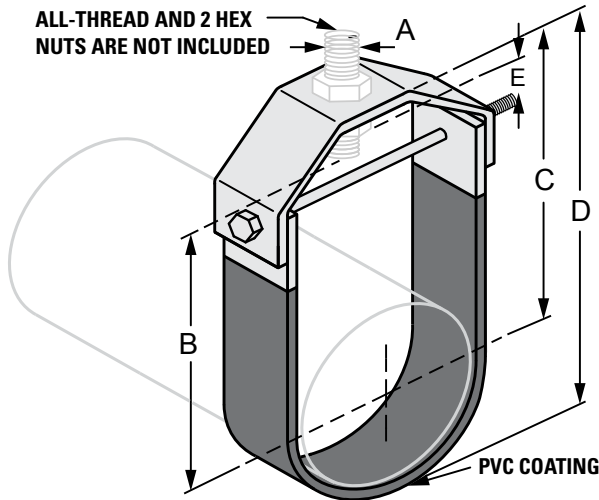


CLEVIS
HANGERS

STANDARD CLEVIS

STANDARD CLEVIS HANGER – SERIES W400

-PVC COATED-



- Size Range:** 1/2" through 36" pipe size.
- Material:** Carbon Steel.
- Finish:** Plain.
- Ordering:** Specify rod size; pipe size; finish and series #.
- Approvals:** Complies with Federal Specification and WW-H-171E (Type 1) and Manufacturers Standardization Society ANSI/MSS-58 (Type 1).
- Function:** Recommended for the suspension of non-insulated stationary pipe lines.
- Available In:** Electro-Galvanized, Hot Dipped Galvanized or 304 Stainless Steel.

CLEVIS HANGERS

All above clevis hangers are plain steel & PVC coated. To order other finishes, change the 5th character in the Part # as seen below:

- STAINLESS STEEL (304) = 8
- HOT DIP GALVANIZED = 9
- ELECTRO-GALVANIZED = 2

Example: **W400504** = HOT DIP GALV
9

PART #	PIPE SIZE	SIZE (A)	SIZE (B)	SIZE (C)	SIZE (D)	SIZE (E)	MAXIMUM RECOMMENDED LOAD(lbs.)	CARTON QTY.	LBS./100pcs
W400504	1/2"	3/8"	1/2"	2-1/4"	3-1/8"	1-1/8"	400	100	37
W400506	3/4"	3/8"	5/8"	2-1/4"	3-1/8"	1-1/8"	400	100	38
W400510	1"	3/8"	3/4"	2-1/4"	3-1/8"	1-1/8"	400	100	39
W400512	1-1/4"	3/8"	2"	2-5/8"	3-1/2"	1-1/8"	400	100	40
W400514	1-1/2"	3/8"	2-1/16"	3"	3-3/4"	1-1/8"	400	100	44
W400520	2"	3/8"	2-5/16"	3-1/8"	4-1/4"	15/16"	400	100	52
W400524	2-1/2"	1/2"	2-3/8"	3-1/8"	4-5/8"	3/4"	800	50	108
W400530	3"	1/2"	2-7/8"	3-5/8"	5-1/2"	1"	800	50	120
W400534	3-1/2"	1/2"	3-3/8"	4-1/8"	6-1/4"	1-1/8"	800	50	128
W400540	4"	5/8"	3-5/8"	5-1/8"	7-3/8"	1-1/8"	800	25	184
W400550	5"	5/8"	4-1/4"	5-3/4"	8-5/8"	1-1/4"	800	20	205
W400560	6"	5/8"	5-1/4"	7-1/4"	10-1/2"	1-1/2"	1000	20	310
W400580	8"	5/8"	6-5/8"	8"	12-3/8"	2"	1200	10	440
W4005100	10"	5/8"	8-3/8"	9-7/8"	15-1/4"	2-1/4"	3600	BULK	860
W4005120	12"	5/8"	9-3/4"	11-3/4"	17-1/2"	2-5/8"	3800	BULK	1040
W4005140	14"	5/8"	10-9/16"	12-1/2"	19-1/2"	2-1/2"	4200	BULK	1480
W4005160	16"	5/8"	11-15/16"	14"	22"	2-3/4"	4600	BULK	2100
W4005180	18"	5/8"	13-7/8"	16"	25"	3-3/4"	4800	BULK	2440
W4005200	20"	5/8"	15-1/8"	17-1/2"	27-1/2"	3-3/4"	4800	BULK	4260
W4005240	24"	5/8"	17-3/8"	19-3/4"	31-3/4"	4"	4800	BULK	4840
W4005360	36"	5/8"	21-1/2"	24-1/8"	39-1/8"	4-3/4"	6000	BULK	6950

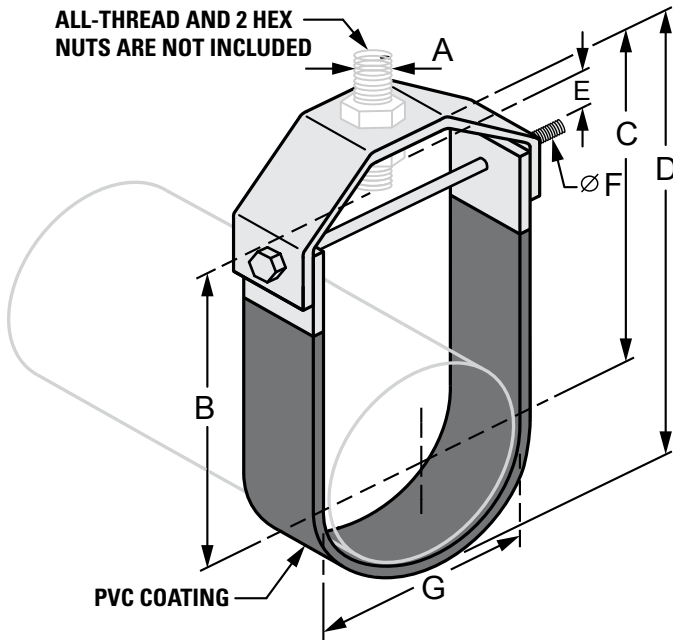
COPPER CLEVIS

G-FORCE®

Section 5

COPPER CLEVIS HANGER – SERIES W405

-PVC COATED-



Size Range: 1/2" through 4" pipe size.

Material: Carbon Steel.

Finish: Copper Plated.

Ordering: Specify rod size; pipe size; finish and series #.

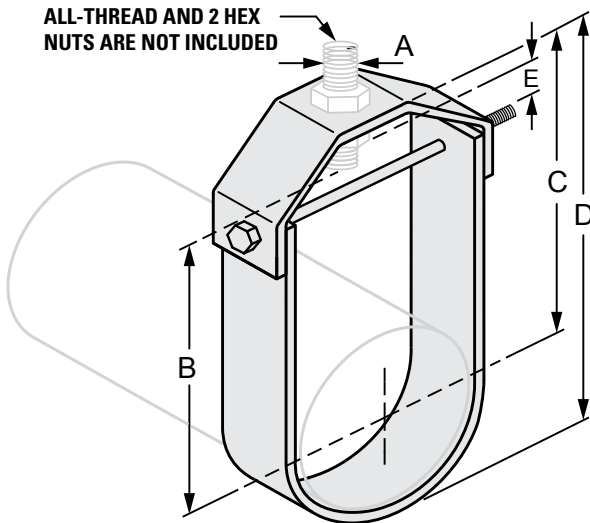
Function: Recommended for the suspension of copper tubing stationary pipe lines allowing for vertical adjustment.

PART #	PIPE SIZE	SIZE (A)	SIZE (B)	SIZE (C)	SIZE (D)	SIZE (E)	SIZE (F)	SIZE (G)	MAXIMUM RECOMMENDED LOAD(lbs.)	CARTON QTY.	LBS./100pcs
W405504	1/2"	3/8"	1-1/2"	2-1/2"	2-7/8"	1-3/16"	1/4"	11/16"	150	100	22
W405506	3/4"	3/8"	1-5/8"	2-5/8"	3-1/8"	1-3/16"	1/4"	3/4"	150	100	20
W405510	1"	3/8"	1-3/4"	2-3/4"	3-1/8"	1-3/16"	1/4"	1-1/4"	250	100	20
W405512	1-1/4"	3/8"	1-7/8"	2-7/8"	3-1/2"	1-3/16"	1/4"	1-1/2"	250	100	22
W405514	1-1/2"	3/8"	2"	3"	3-3/4"	1-3/16"	1/4"	1-3/4"	250	100	18
W405520	2"	3/8"	1-3/8"	3-3/8"	4-1/4"	1-3/16"	1/4"	2-3/8"	250	100	24
W405524	2-1/2"	1/2"	3"	4"	4-5/8"	1-3/4"	1/4"	2-3/4"	350	50	28
W405530	3"	1/2"	3-5/8"	4-5/8"	5-1/2"	1-3/4"	3/8"	3-3/8"	350	BULK	70
W405534	3-1/2"	1/2"	4"	5"	6-1/4"	1-3/4"	3/8"	4"	350	BULK	84
W405540	4"	5/8"	4-1/4"	5-1/4"	7-3/8"	1-3/4"	3/8"	4-1/2"	400	BULK	90

CLEVIS HANGERS

STANDARD DUTY CLEVIS

STANDARD DUTY CLEVIS HANGER – SERIES W410



- Size Range:** 1-1/4" through 36" pipe size.
- Material:** Carbon Steel.
- Finish:** Plain.
- Ordering:** Specify rod size; pipe size; finish and series #.
- Approvals:** FM Approved (1-1/4" through 8" only). Complies with Federal Specification and WW-H-171E (Type 1) and Manufacturers Standardization Society ANSI/MSS-58 (Type 1)
- Function:** Recommended for the suspension of non-insulated stationary pipe lines.
- Available In:** Electro-Galvanized, Hot Dipped Galvanized, Plain with Felt Lining or Plain with PVC Coating.

CLEVIS HANGERS

All clevis hangers are plain steel
To order other finishes, change the 5th character in the Part # as seen below:

PLAIN W/ FELT LINING = 13
HOT DIP GALVANIZED = 9
ELECTRO-GALVANIZED = 2
PLAIN W/ PVC COATING = 5

Example: **W410 1 12 = HOT DIP GALV 9**

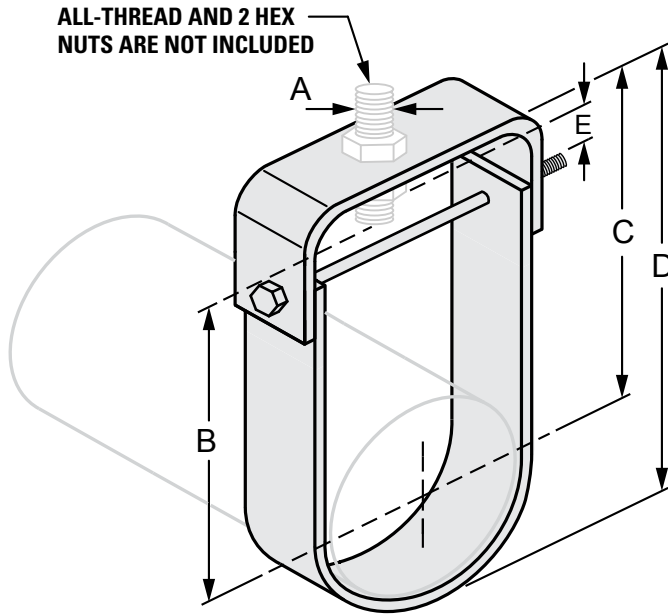
PART #	PIPE SIZE	SIZE (A)	SIZE (B)	SIZE (C)	SIZE (D)	SIZE (E)	MAXIMUM RECOMMENDED LOAD(lbs.)	CARTON QTY.	LBS./ 100pcs
W410112	1-1/4"	3/8"	2"	2-5/8"	3-1/2"	1-1/8"	600	100	40
W410114	1-1/2"	3/8"	2-1/16"	3"	3-3/4"	1-1/8"	600	100	44
W410120	2"	3/8"	2-5/16"	3-1/8"	4-1/4"	15/16"	600	100	52
W410124	2-1/2"	1/2"	2-3/8"	3-1/8"	4-5/8"	3/4"	1100	50	108
W410130	3"	1/2"	2-7/8"	3-5/8"	5-1/2"	1"	1100	50	120
W410134	3-1/2"	1/2"	3-3/8"	4-1/8"	6-1/4"	1-1/8"	1100	50	128
W410140	4"	5/8"	3-5/8"	5-1/8"	7-3/8"	1-1/8"	1400	25	184
W410150	5"	5/8"	4-1/4"	5-3/4"	8-5/8"	1-1/4"	1400	25	205
W410160	6"	5/8"	5-1/4"	7-1/4"	10-1/2"	1-1/2"	2000	25	310
W410180	8"	5/8"	6-5/8"	8"	12-3/8"	2"	2000	25	440
W4101100	10"	5/8"	8-3/8"	9-7/8"	15-1/4"	2-1/4"	3600	BULK	860
W4101120	12"	5/8"	9-3/4"	11-3/4"	17-1/2"	2-5/8"	3800	BULK	1040
W4101140	14"	5/8"	10-9/16"	12-1/2"	19-1/2"	2-1/2"	4200	BULK	1480
W4101160	16"	5/8"	11-15/16"	14"	22"	2-3/4"	4600	BULK	2100
W4101180	18"	5/8"	13-7/8"	16"	25"	3-3/4"	4800	BULK	2440
W4101200	20"	5/8"	15-1/8"	17-1/2"	27-1/2"	3-3/4"	4800	BULK	4260
W4101240	24"	5/8"	17-3/8"	19-3/4"	31-3/4"	4"	4800	BULK	4840
W4101360	36"	5/8"	21-1/2"	24-1/8"	39-1/8"	4-3/4"	6000	BULK	6950

STANDARD DUTY CLEVIS

G-FORCE®

Section 5

STANDARD DUTY CLEVIS HANGER – SERIES W411



- Size Range:** 1/2" through 1" pipe size.
- Material:** Carbon Steel.
- Finish:** Plain.
- Ordering:** Specify rod size; pipe size; finish and series #.
- Approvals:** FM Approved (3/4" through 1" only). Complies with Federal Specification and WW-H-171E (Type 1) and Manufacturers Standardization Society ANSI/MSS-58 (Type 1).
- Function:** Recommended for the suspension of non-insulated stationary pipe lines.
- Available In:** Electro-Galvanized, Hot Dipped Galvanized or Stainless Steel.

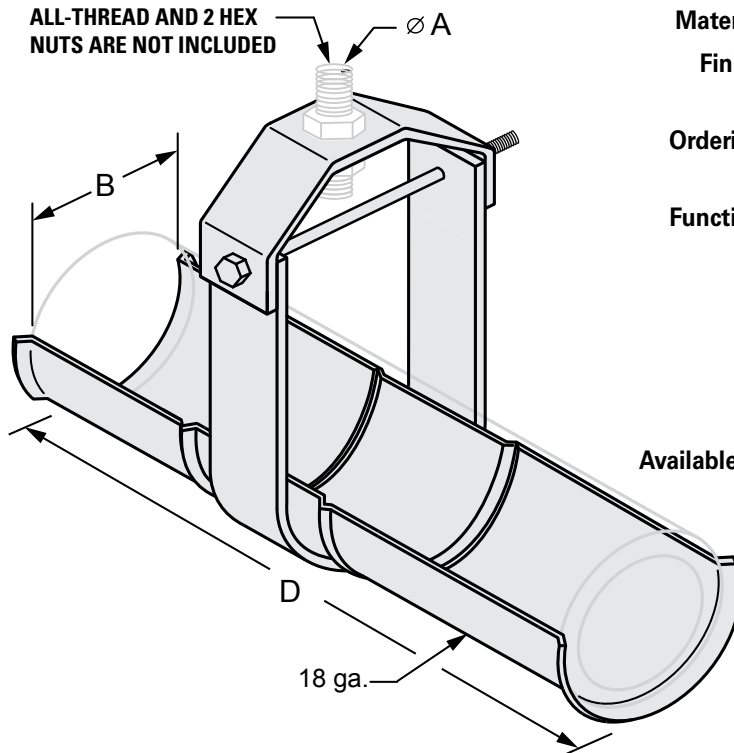
PART #	PIPE SIZE	SIZE (A)	SIZE (B)	SIZE (C)	SIZE (D)	SIZE (E)	MAXIMUM RECOMMENDED LOAD(lbs.)	CARTON QTY.	LBS./ 100pcs
W411104	1/2"	3/8"	1/2"	2-1/4"	3-1/8"	1-1/8"	600	100	37
W411106	3/4"	3/8"	5/8"	2-1/4"	3-1/8"	1-1/8"	600	100	38
W411110	1"	3/8"	3/4"	2-1/4"	3-1/8"	1-1/8"	600	100	39

All above clevis hangers are plain steel
 To order other finishes, change the 5th character in the Part # as seen below:
 STAINLESS STEEL (304) = 8
 HOT DIP GALVANIZED = 9
 ELECTRO-GALVANIZED = 2
 Example: **W411~~1~~04** = HOT DIP GALV
 9

CLEVIS HANGERS

CLEVIS

CLEVIS HANGER w/ SECURED INSULATION SHIELD – SERIES W412



Size Range: 3/8" through 1-1/4" rod size.

Material: Low Carbon Steel.

Finish: Plain low carbon steel clevis with pre-galvanized shield

Ordering: Specify rod size; inside shield diameter and series #.

Function: Design for suspension of stationary insulated pipe lines. Series W411 is a combination of our Series W561 shield welded to a Series W412 clevis hanger, which ensures that the shield will be installed in conjunction with the hanger. The shield is furnished with flared ends to prevent it from cutting into the insulation.

Available In: 304 and 316 Stainless Steel.

All clevis hangers are plain steel. To order other finishes, change the 5th character in the Part # as seen below:

STAINLESS STEEL (304) = 8

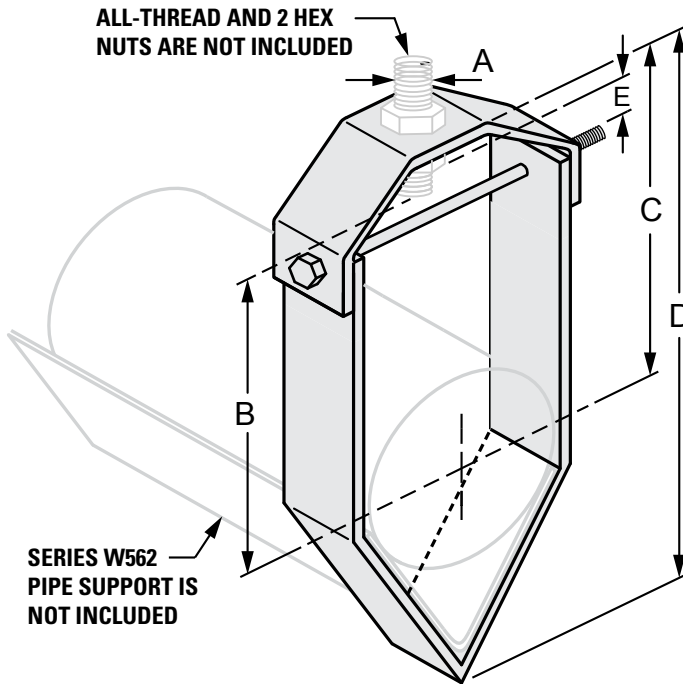
STAINLESS STEEL (316) = 0

Example: **W412**~~1~~**23** = STAINLESS STEEL (304)
8

PART #	INSIDE DIAMETER OF SHIELD (B)	ROD SIZE (A)	SHIELD LENGTH (D)	HANGER SIZE	LBS./ EACH
W412123	2-3/8"	3/8"	8"	2"	.59
W412125	2-5/8"	1/2"	8"	2-1/2"	1.50
W412127	2-7/8"	1/2"	8"	2-1/2"	1.54
W412134	3-1/2"	1/2"	8"	3"	1.64
W412140	4"	1/2"	8"	3-1/2"	1.95
W412144	4-1/2"	5/8"	8"	4"	2.38
W412150	5"	5/8"	8"	5"	2.98
W412155	5-5/8"	5/8"	8"	5"	3.10
W412160	6"	3/4"	8"	6"	3.77
W412165	6-5/8"	3/4"	8"	6"	3.92
W412175	7-5/8"	3/4"	12"	8"	6.33
W412185	8-5/8"	3/4"	12"	8"	6.66

PART #	INSIDE DIAMETER OF SHIELD (B)	ROD SIZE (A)	SHIELD LENGTH (D)	HANGER SIZE	LBS./ EACH
W412195	9-5/8"	7/8"	12"	10"	10.84
W4121106	10-3/4"	7/8"	12"	10"	11.17
W4121116	11-3/4"	7/8"	12"	12"	13.39
W4121126	12-3/4"	7/8"	12"	12"	13.65
W4121140	14"	1"	12"	14"	16.93
W4121150	15"	1"	12"	16"	25.08
W4121160	16"	1"	12"	16"	25.20
W4121170	17"	1-1/8"	12"	18"	29.55
W4121180	18"	1-1/8"	12"	18"	29.83
W4121190	19"	1-1/4"	12"	20"	47.81
W4121210	21"	1-1/4"	12"	24"	53.73

PLASTIC PIPE CLEVIS HANGER – SERIES W413



- Size Range:** 1/2" through 4" pipe size.
- Material:** Low Carbon Steel.
- Finish:** Plain.
- Ordering:** Specify rod size; pipe size; finish and series #.
- Function:** Designed for the suspension of flexible plastic pipe lines. Used in conjunction with Series W562.
- Available In:** Electro-Galvanized, 304 & 316 Stainless Steel.

All above clevis hangers are plain steel. To order other finishes, change the 5th character in the Part # as seen below:

- ELECTRO-GALVANIZED = 2
- STAINLESS STEEL (304) = 8
- STAINLESS STEEL (316) = 0

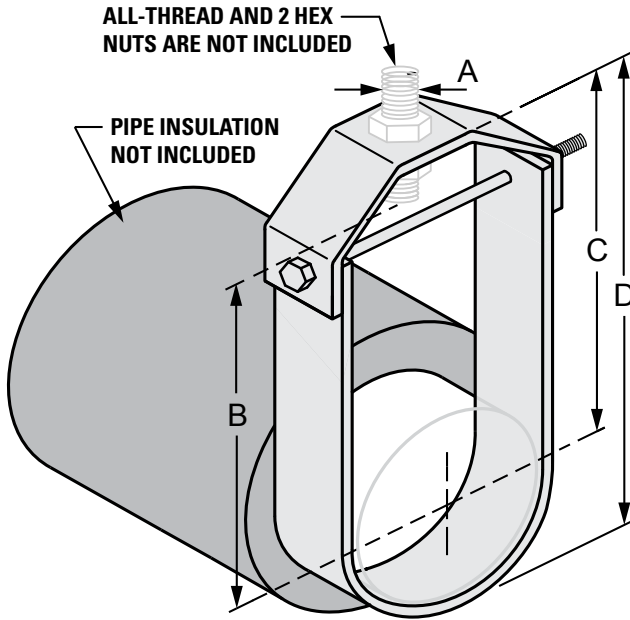
Example: **W413104** = ELECTRO-GALV
2

PART #	PIPE SIZE	ROD SIZE (A)	SIZE(B)	SIZE (C)	SIZE (D)	SIZE (E)	CROSS BOLT	MAXIMUM RECOMMENDED LOAD(lbs.)	LBS./ 100pcs
W413104	1/2"	3/8"	4-5/16"	4-3/4"	5-1/2"	1-5/8"	3/8"	150	38
W413106	3/4"	3/8"	4-1/8"	4-9/16"	5-1/2"	1-5/8"	3/8"	150	38
W413110	1"	3/8"	3-15/16"	6-3/8"	5-1/2"	1-5/8"	3/8"	150	38
W413112	1-1/4"	3/8"	3-11/16"	4-1/8"	5-1/2"	1-5/8"	3/8"	150	38
W413114	1-1/2"	3/8"	3-9/16"	4"	5-1/2"	1-5/8"	3/8"	150	38
W413120	2"	3/8"	3-1/4"	3-11/16"	5-1/2"	1-5/8"	3/8"	150	38
W413124	2-1/2"	5/8"	5-13/16"	6-5/8"	8-3/4"	1-3/4"	5/8"	150	115
W413130	3"	5/8"	5-3/8"	6-3/16"	8-3/4"	1-3/4"	5/8"	150	115
W413134	3-1/2"	5/8"	5"	5-13/16"	8-3/4"	1-3/4"	5/8"	150	115
W413140	4"	5/8"	4-5/8"	5-7/16"	8-3/4"	1-3/4"	5/8"	150	115

CLEVIS HANGERS

STANDARD CLEVIS HANGER – SERIES W415

-EXTENDED BOTTOM-



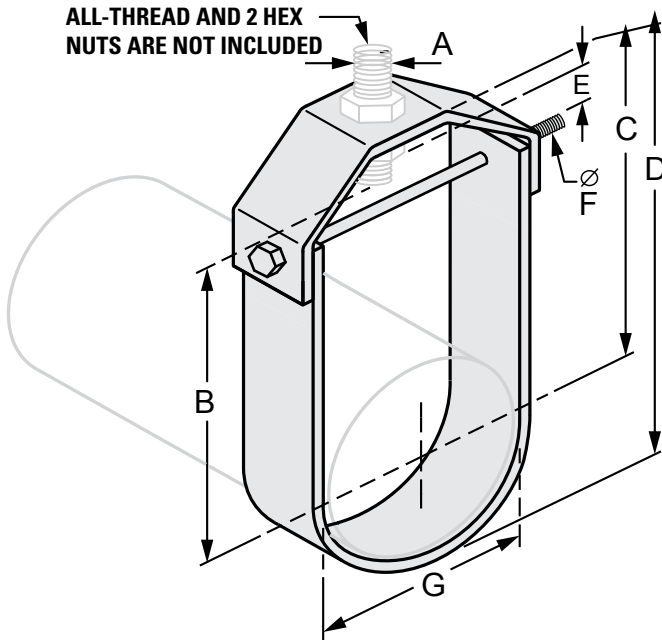
- Size Range:** 3/4" through 12" pipe size.
- Material:** Carbon Steel.
- Finish:** Plain.
- Ordering:** Specify pipe size; finish and series #.
- Function:** Recommended for the suspension of insulated stationary pipe lines allowing for vertical adjustment.
- Available In:** 304 & 316 Stainless Steel

All clevis hangers are plain steel. To order other finishes, change the 5th character in the Part # as seen below:
 STAINLESS STEEL (304) = 8
 STAINLESS STEEL (316) = 0
 Example: **W415, 2 06** = STAINLESS STEEL
 8

PART #	PIPE SIZE	SIZE (A)	SIZE (B)	SIZE (C)	SIZE (D)	MAXIMUM RECOMMENDED LOAD(lbs.)	CARTON QTY.	LBS./ 100pcs
3/4" - 1-1/2" PIPE SIZE DESIGNED FOR 2" INSULATION								
W415106	3/4"	3/8"	2-7/8"	3-5/8"	4-1/4"	610	50	50
W415110	1"	3/8"	3-1/4"	4"	4-5/8"	610	25	57
W415112	1-1/4"	3/8"	3-5/8"	4-1/2"	5-1/4"	610	25	63
W415114	1-1/2"	3/8"	4"	4-3/4"	5-3/4"	610	25	71
2" - 12" PIPE SIZE DESIGNED FOR 2" INSULATION								
W415120	2"	3/8"	6-1/2"	7-1/2"	8-5/8"	610	25	84
W415124	2-1/2"	1/2"	7-1/2"	8-1/2"	10"	1130	25	189
W415130	3"	1/2"	7-1/2"	8-5/8"	10-1/4"	1130	25	199
W415140	4"	5/8"	8-1/8"	9-3/8"	11-5/8"	1430	25	245
W415150	5"	5/8"	8-3/4"	9-7/8"	12-5/8"	1430	15	298
W415160	6"	3/4"	9-3/8"	10-5/8"	14"	1940	10	336
W415180	8"	7/8"	11"	12-3/8"	16-3/4"	2000	10	670
W4151100	10"	7/8"	12-1/4"	13-3/4"	19-1/8"	3600	3	1100
W4151120	12"	7/8"	13-5/8"	15-1/8"	21-1/2"	3800	2	1380

CLEVIS HANGERS

LIGHT DUTY CLEVIS HANGER – SERIES W420



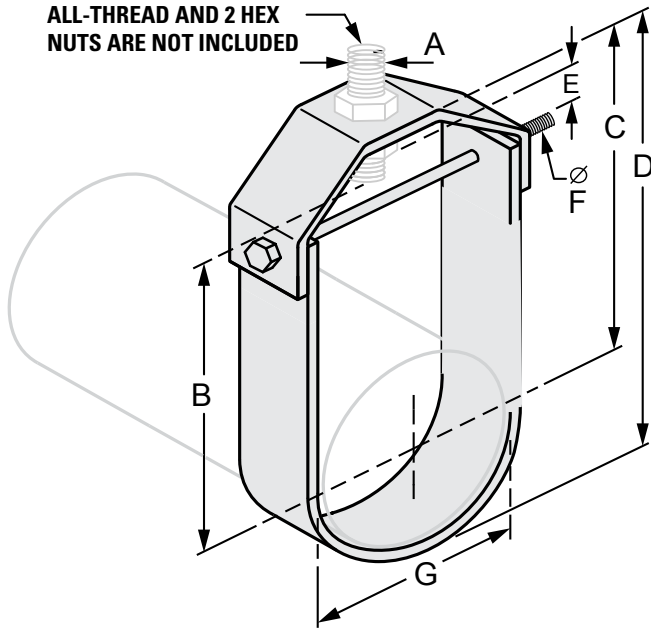
- Size Range:** 1/2" through 4" pipe size.
- Material:** Carbon Steel.
- Finish:** Plain.
- Ordering:** Specify rod size; pipe size; finish and series #.
- Approvals:** FM Approved (3/4" through 8" only). Complies with Federal Specification WW-H-171E (Type 1) and Manufacturers Standardization Society ANSI/MSS-58 (Type 1).
- Function:** Recommended for the suspension of non-insulated stationary pipe lines.
- Available In:** Electro-Galvanized, Hot Dipped Galvanized or Plain with Felt Lining.

PART #	PIPE SIZE	SIZE (A)	SIZE (B)	SIZE (C)	SIZE (D)	SIZE (E)	SIZE (F)	SIZE (G)	MAXIMUM RECOMMENDED LOAD(lbs.)	CARTON QTY.	LBS./ 100pcs
W420104	1/2"	3/8"	1-1/2"	2-1/2"	3-1/2"	1-3/16"	1/4"	3/4"	600	100	9
W420106	3/4"	3/8"	1-5/8"	2-5/8"	3-1/2"	1-3/16"	1/4"	1-1/4"	600	100	9
W420110	1"	3/8"	1-3/4"	2-3/4"	3-1/2"	1-3/16"	1/4"	1-1/2"	600	100	10
W420112	1-1/4"	3/8"	1-7/8"	2-7/8"	3-5/8"	1-3/16"	1/4"	1-3/4"	600	100	11
W420114	1-1/2"	3/8"	2"	3"	4"	1-3/16"	1/4"	2"	600	100	12
W420120	2"	3/8"	2-3/8"	3-3/8"	4-3/4"	15/16"	1/4"	2-1/2"	600	100	14
W420124	2-1/2"	1/2"	3"	4"	5-1/2"	3/4"	3/8"	3-1/4"	1100	50	30
W420130	3"	1/2"	3-5/8"	4-5/8"	6"	1"	3/8"	3-3/4"	1100	50	32
W420134	3-1/2"	1/2"	4"	5"	6-3/4"	1-1/16"	3/8"	4-1/8"	1100	25	36
W420140	4"	5/8"	4-1/4"	5-1/4"	7-1/2"	1-3/16"	3/8"	4-7/8"	1400	25	44

All above clevis hangers are plain steel. To order other finishes, change the 5th character in the Part # as seen below:
 ELECTRO-GALVANIZED = 2
 HOT DIP GALVANIZED = 9
 PLAIN W/ FELT LINING = 13
 Example: **W420104** = ELECTRO-GALV
2

CLEVIS

COPPER CLEVIS HANGER – SERIES W430



Size Range: 1/2" through 4" pipe size.

Material: Carbon Steel.

Finish: Copper Plated.

Ordering: Specify rod size; pipe size; finish and series #.

Function: Recommended for the suspension of copper tubing stationary pipe lines allowing for vertical adjustment.

Available In: Electro-Galvanized or Hot Dipped Galvanized.

PART #	PIPE SIZE	SIZE (A)	SIZE (B)	SIZE (C)	SIZE (D)	SIZE (E)	SIZE (F)	SIZE (G)	MAXIMUM RECOMMENDED LOAD(lbs.)	CARTON QTY.	LBS./100pcs
W430304	1/2"	3/8"	1-1/2"	2-1/2"	2-7/8"	1-3/16"	1/4"	11/16"	150	100	22
W430306	3/4"	3/8"	1-5/8"	2-5/8"	3-1/4"	1-3/16"	1/4"	3/4"	150	100	20
W430310	1"	3/8"	1-3/4"	2-3/4"	3-1/2"	1-3/16"	1/4"	1-1/4"	250	100	20
W430312	1-1/4"	3/8"	1-7/8"	2-7/8"	3-5/8"	1-3/16"	1/4"	1-1/2"	250	100	22
W430314	1-1/2"	3/8"	2"	3"	4"	1-3/16"	1/4"	1-3/4"	250	100	18
W430320	2"	3/8"	1-3/8"	3-3/8"	4-1/8"	1-3/16"	1/4"	2-3/8"	250	100	24
W430324	2-1/2"	1/2"	3"	4"	5"	1-3/4"	1/4"	2-3/4"	350	50	28
W430330	3"	1/2"	3-5/8"	4-5/8"	5-1/2"	1-3/4"	3/8"	3-3/8"	350	BULK	70
W430334	3-1/2"	1/2"	4"	5"	5-7/8"	1-3/4"	3/8"	4"	350	BULK	84
W430340	4"	5/8"	4-1/4"	5-1/4"	6-3/8"	1-3/4"	3/8"	4-1/2"	400	BULK	90

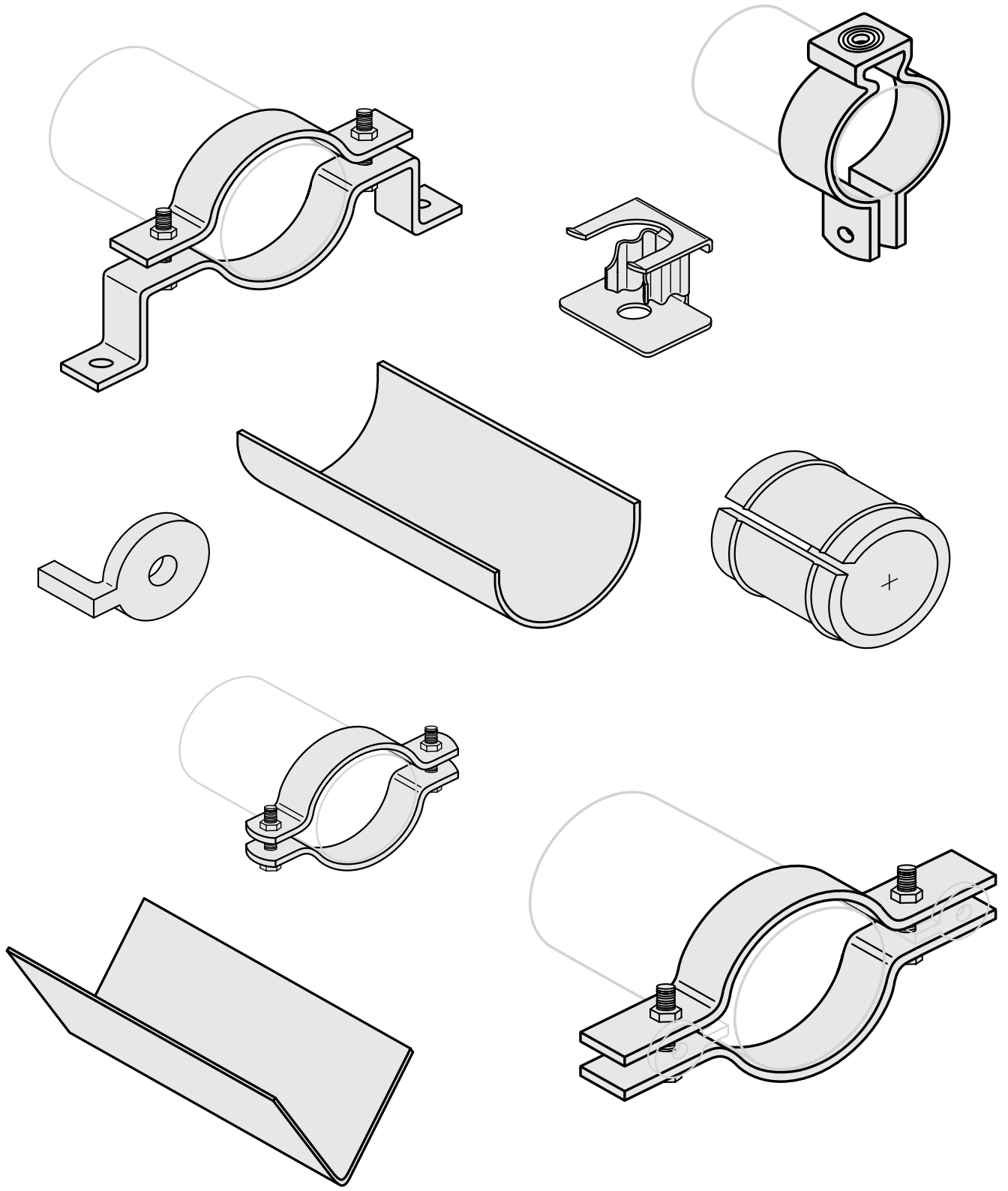
All above clevis hangers are copper plated. To order other finishes, change the 5th character in the Part # as seen below:

ELECTRO-GALVANIZED = 2
HOT DIP GALVANIZED = 9

Example: **W430304** = ELECTRO-GALV
2

SECTION 6

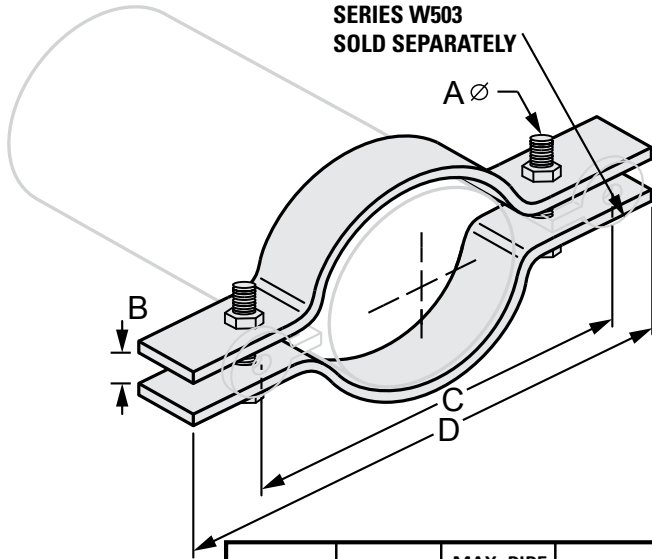
G-FORCE® PIPE & RISER CLAMPS



PIPE & RISER
CLAMPS

UNDERGROUND PIPE

TWO BOLT UNDERGROUND PIPE CLAMP – SERIES W501



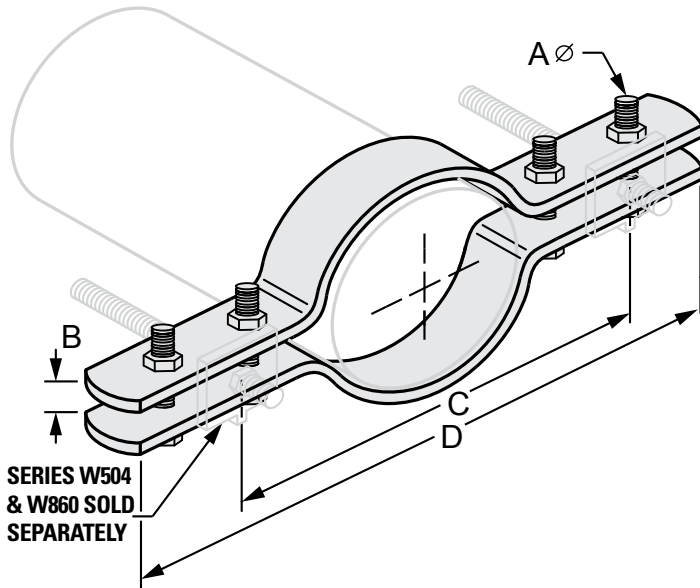
- Size Range:** 3" through 36" pipe size.
- Material:** Low Carbon Steel.
- Finish:** Plain.
- Ordering:** Specify pipe size; finish and series #, order Series W503 washer separately.
- Function:** Designed for clamping the caulked joints of underground A.W.W.A. ductile iron water pipes to prevent separation of joints.
- Available In:** Electro-Galvanized.
- Note:** Clamps must be connected by means of threaded tie rods and the nuts drawn tight on the washers to assure a tight joint.

PART #	PIPE SIZE	MAX. PIPE O.D.	Ø SIZE (A)	SIZE (B)	SIZE (C)	SIZE (D)	RECOMMENDED TIE ROD SIZE	LBS./100pcs
W501130	3"	3.96	5/8 x 3	1-1/4"	9"	11-3/4"	3/4"	618
W501140	4"	4.80	5/8 x 3	1-1/4"	10-1/4"	13"	3/4"	880
W501160	6"	6.90	5/8 x 3	1-1/4"	12"	14-7/8"	3/4"	1050
W501180	8"	9.05	5/8 x 3	1-1/4"	14-1/2"	17-1/4"	3/4"	1234
W5011100	10"	11.10	5/8 x 3	1-1/4"	16-3/4"	19-1/2"	3/4"	1480
W5011120	12"	13.20	5/8 x 3-1/2	1-1/4"	19"	21-3/4"	3/4"	1603
W5011140	14"	15.30	7/8 x 4	1-3/8"	23-3/8"	27-7/8"	1"	4437
W5011160	16"	17.40	1 x 4-1/2	1-1/2"	25-1/2"	29-1/8"	1-1/8"	6474
W5011180	18"	19.50	1-1/4 x 4-1/2	1-1/2"	28"	32-1/4"	1-1/4"	7369
W5011200	20"	21.60	1-1/4 x 4-1/2	1-5/8"	29-3/4"	33-1/4"	1-3/8"	8600
W5011240	24"	25.80	1-1/2 x 5	1-3/4"	34"	37-3/4"	1-1/2"	11300
W5011300	30"	32.00	1-1/2 x 5-1/2	2"	41-3/8"	45-1/8"	1-3/4"	13678
W5011360	36"	38.30	1-1/2 x 5-1/2	2-1/2"	46-1/2"	50-3/4"	1-3/4"	15550

All above pipe clamps are plain steel.
 To order other finishes, change the 5th character in the Part # as seen below:
 ELECTRO-GALVANIZED = 2
 Example: **W501130** = ELECTRO-GALV
2

PIPE & RISER CLAMPS

FOUR BOLT UNDERGROUND PIPE – SERIES W502



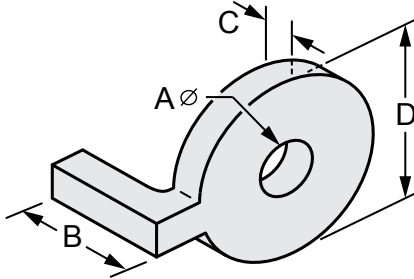
- Size Range:** 3" through 24" pipe size.
- Material:** Low Carbon Steel.
- Finish:** Plain.
- Ordering:** Specify pipe size; finish and series #, order Series W504 washer separately.
- Approval:** Complies with National Fire Protection Association Standards 24 for 4"-12" pipe.
- Function:** Designed for clamping the caulked joints of underground A.W.W.A. ductile iron water pipes lines to prevent separation of joints.
- Available In:** Electro-Galvanized, 304 & 316 Stainless Steel.
- Note:** Clamps must be connected by means of threaded tie rods and the nuts drawn tight on the washers to assure a tight joint.

PART #	PIPE SIZE	MAX. PIPE O.D.	BOLT Ø SIZE (A)	SIZE (B)	SIZE (C)	SIZE (D)	RECOMMENDED TIE ROD SIZE	MAX. TEST PRESSURE (PSI)	FORCE ON CLAMP (LBS)	LBS./100pcs
W502130	3"	3.96	5/8 x 3	1-1/4"	9-3/8"	13-3/8"	3/4"	250	4550	860
W502140	4"	4.80	5/8 x 3	1-1/4"	10-1/8"	14-1/2"	3/4"	250	4550	938
W502160	6"	6.90	5/8 x 3	1-1/4"	12-5/8"	17"	3/4"	250	9340	1150
W502180	8"	9.05	5/8 x 3-1/2	1-1/4"	15-3/8"	19-3/4"	3/4"	250	16080	2054
W5021100	10"	11.10	3/4 x 3-1/2	1-1/4"	17-1/8"	22"	3/4"	250	24180	2315
W5021120	12"	13.20	7/8 x 3-1/2	1-1/4"	20-1/2"	25-5/8"	1"	250	34230	3585
W5021140	14"	15.30	7/8 x 4	1-3/4"	23-1/8"	27-7/4"	1"	120	22200	4678
W5021160	16"	17.40	1 x 4	1-3/4"	25-7/8"	31-7/8"	1-1/8"	115	27760	7053
W5021180	18"	19.50	1-1/4 x 4-1/2	1-3/4"	29"	35-5/8"	1-1/4"	100	23900	7465
W5021200	20"	21.60	1-1/4 x 4-1/2	1-3/4"	31-1/8"	38-1/8"	1-3/8"	75	27500	9865
W5021240	24"	25.80	1-1/2 x 5	1-3/4"	36-1/2"	44-1/2"	1-1/2"	50	26200	13550

All above saddle supports are plain steel. To order other finishes, change the 5th character in the Part # as seen below:
 STAINLESS STEEL (304) = 8
 STAINLESS STEEL (316) = 0
 ELECTRO-GALVANIZED = 2
 Example: **W250,140** = ELECTRO-GALV
2

UNDERGROUND WASHERS

UNDERGROUND PIPE CLAMP WASHER – SERIES W503

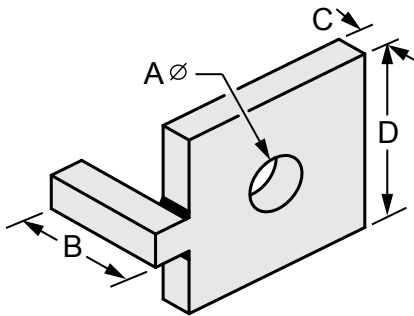


Size Range: 3/4" through 1-3/4" tie rod size.
Material: Low Carbon Steel. Cast Iron (3/4" Tie Rod Only)
Finish: Plain.
Ordering: Specify tie rod size; finish and series #.
Function: Designed to secure tie rods when used in conjunction with Series W501 two bolt underground pipe clamp.
Available In: Electro-Galvanized, 304 & 316 Stainless Steel.
Note: Tie rod size 3/4" is made of cast iron material.

PART #	TIE ROD SIZE	FOR PIPE SIZES	Ø SIZE (A)	SIZE (B)	SIZE (C)	SIZE (D)	LBS./100pcs
W503106	3/4"	3 - 12	7/8"	1-3/4"	5/8"	2-5/16"	80
W503110	1"	14	1-1/8"	3"	1/2"	3-1/2"	145
W503111	1-1/8"	16	1-1/4"	3"	5/8"	4"	231
W503112	1-1/4"	18	1-3/8"	3"	5/8"	4"	226
W503113	1-3/8"	20	1-1/2"	3"	3/4"	4"	287
W503114	1-1/2"	24	1-5/8"	3"	3/4"	4"	271
W503116	1-3/4"	30 - 36	1-7/8"	3"	1"	4"	417

All clamp washers are plain steel. To order other finishes, change the 5th character in the Part # as seen below:
 STAINLESS STEEL (304) = 8
 STAINLESS STEEL (316) = 0
 ELECTRO-GALVANIZED = 2
 Example: **W503.106** = ELECTRO-GALV
2

UNDERGROUND PIPE CLAMP WASHER – SERIES W504

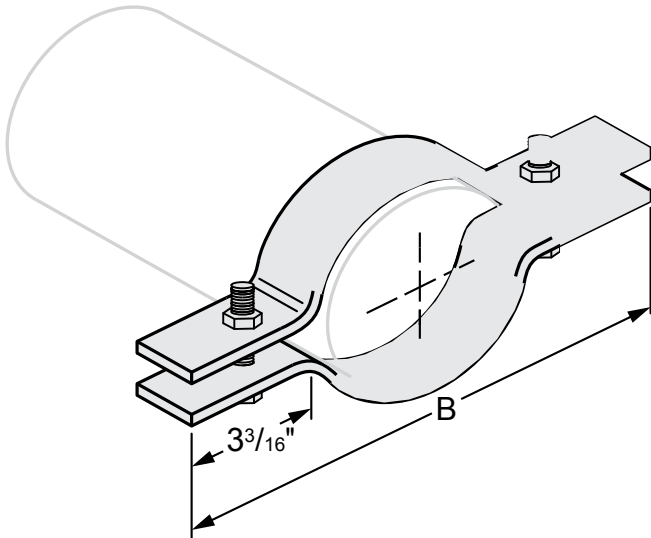


Size Range: 3/4" through 1-3/4" tie rod size.
Material: Low Carbon Steel. Cast Iron (3/4" Tie Rod Only)
Finish: Plain.
Ordering: Specify tie rod size; finish and series #.
Function: Designed to secure tie rods when used in conjunction with Series W501 two bolt underground pipe clamp.
Available In: Electro-Galvanized, 304 & 316 Stainless Steel
Note: Tie rod size 3/4" is made of cast iron material.

PART #	TIE ROD SIZE	FOR PIPE SIZES	Ø SIZE (A)	SIZE (B)	SIZE (C)	SIZE (D)	LBS./100pcs
W504106	3/4"	3 - 12	7/8"	1-3/4"	5/8"	2-5/16"	80
W504110	1"	14	1-1/8"	3"	1/2"	3-1/2"	145
W504111	1-1/8"	16	1-1/4"	3"	5/8"	4"	231
W504112	1-1/4"	18	1-3/8"	3"	5/8"	4"	226
W504113	1-3/8"	20	1-1/2"	3"	3/4"	4"	287
W504114	1-1/2"	24	1-5/8"	3"	3/4"	4"	271
W504116	1-3/4"	30 - 36	1-7/8"	3"	1"	4"	417

All clamp washers are plain steel. To order other finishes, change the 5th character in the Part # as seen below:
 STAINLESS STEEL (304) = 8
 STAINLESS STEEL (316) = 0
 ELECTRO-GALVANIZED = 2
 Example: **W504.106** = ELECTRO-GALV
2

IRON PIPE RISER CLAMP – SERIES W500



Size Range: 1/2" through 12" pipe size.

Material: Carbon Steel.

Finish: Plain.

Ordering: Specify rod size; pipe size; finish and series #.

Approvals: Complies with Federal Specification WW-H-171E (Type 8), also A-A-1192 (Type 8) and Manufacturers Standardization Society MSS-SP-69 (Type 8).

Function: Recommended for supporting and stabilizing vertical pipe runs.

Available In: Electro-Galvanized, Hot Dipped Galvanized, Plain with PVC Coating, 304 & 316 Stainless Steel.

All riser pipe clamps are plain steel. To order other finishes, change the 5th character in the Part # as seen below:

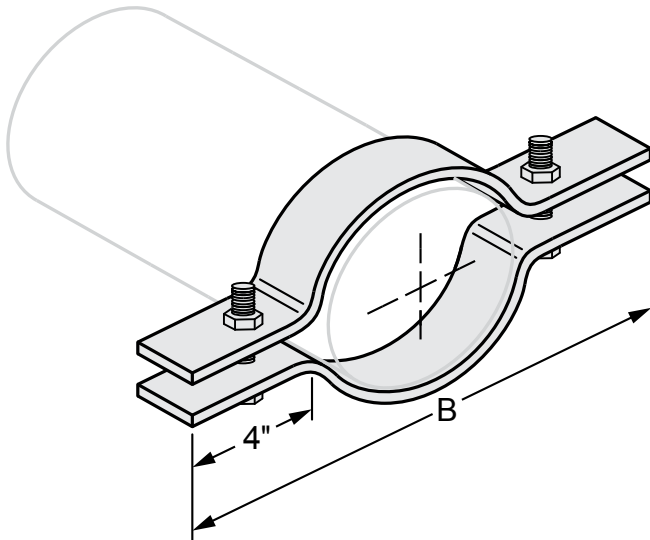
STAINLESS STEEL (304) = 8
 STAINLESS STEEL (316) = 0
 PLAIN WITH PVC COATING = 5
 HOT DIP GALVANIZED = 9
 ELECTRO-GALVANIZED = 2

Example: **W500104** = HOT DIP GALV
 9

PART #	PIPE SIZE	SIZE (B)	MAXIMUM RECOMMENDED LOAD(lbs.)	CARTON QTY.	LBS./100pcs
W500104	1/2"	9-1/2"	255	25	121
W500106	3/4"	9-1/2"	255	25	130
W500110	1"	9-3/4"	255	25	134
W500112	1-1/4"	10-1/4"	255	25	142
W500114	1-1/2"	10-3/4"	255	25	150
W500120	2"	11-1/2"	255	25	160
W500124	2-1/2"	12"	390	25	190
W500130	3"	13"	530	20	245
W500134	3-1/2"	14-1/2"	670	BULK	260
W500140	4"	15"	810	BULK	310
W500150	5"	16-3/4"	1160	BULK	350
W500160	6"	18-1/2"	1570	BULK	380
W500180	8"	22-1/4"	2500	BULK	726
W5001100	10"	22"	2500	BULK	1140
W5001200	12"	22-1/2"	2700	BULK	1610

COPPER TUBING RISER

COPPER TUBING RISER CLAMP – SERIES W505



- Size Range:** 1/2" through 4" pipe size.
- Material:** Carbon Steel.
- Finish:** Copper Plated.
- Ordering:** Specify rod size; pipe size; finish and series #.
- Approvals:** Complies with Federal Specification A-A-1192 (Type 8), and Manufacturers Standardization Society MSS-SP-69 (Type 8).
- Function:** Recommended for supporting and stabilizing vertical tubing runs.
- Available In:** Copper with PVC Coating.

PART #	PIPE SIZE	SIZE (B)	MAXIMUM RECOMMENDED LOAD(lbs.)	CARTON QTY.	LBS./100pcs
W505304	1/2"	9-1/2"	250	25	69
W505306	3/4"	9-1/2"	250	25	72
W505310	1"	9-1/2"	250	25	72
W505312	1-1/4"	9-3/4"	500	25	76
W505314	1-1/2"	10-1/4"	500	25	80
W505320	2"	11-3/4"	500	25	95
W505324	2-1/2"	11-1/2"	500	25	135
W505330	3"	12-1/2"	500	25	170
W505334	3-1/2"	13-1/2"	600	BULK	171
W505340	4"	14-1/2"	600	BULK	180

All above tubing riser clamps are copper plated. To order other finishes, change the 5th character in the Part # as seen below:
 COPPER WITH PVC COATING = 10
 Example: **W505304** = COPPER W/PVC
 10

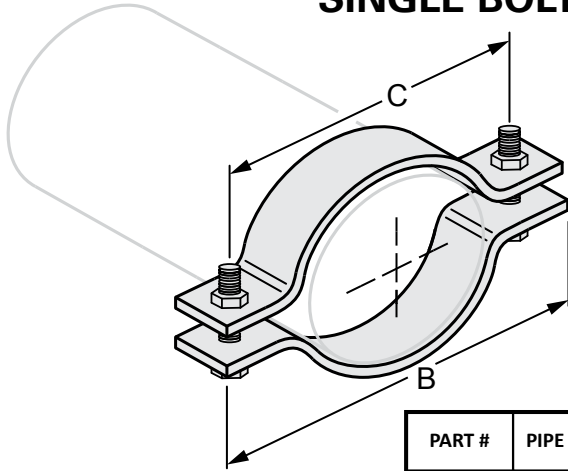
PIPE & RISER CLAMPS

SINGLE BOLT PIPE RISER

G-FORCE®

Section 6

SINGLE BOLT PIPE CLAMP – SERIES W510



Size Range: 1/2" through 30" pipe size.

Material: Carbon Steel.

Finish: Plain.

Ordering: Specify pipe size; finish and series #.

Function: Recommended for the support and stabilizing of vertical pipe runs. Overall length is less than a riser clamp.

Available In: Electro-Galvanized, 304 & 316 Stainless Steel.

All pipe clamps are plain steel.
To order other finishes, change the 5th character in the Part # as seen below:

STAINLESS STEEL (304) = 8

STAINLESS STEEL (316) = 0

ELECTRO-GALVANIZED = 2

Example: **W510** ~~8~~ **04** = ELECTRO-GALV
2

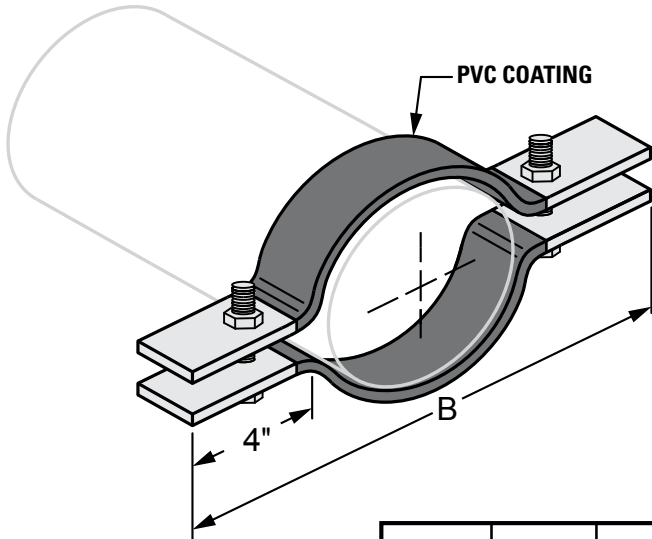
PART #	PIPE SIZE	BOLT SIZE	SIZE (B)	SIZE (C)	MATERIAL	MAXIMUM REC. LOAD(lbs.)		CARTON QTY.	LBS./ 100pcs
						650 F	750 F		
W510104	1/2"	3/8"	3-1/8"	2-1/8"	11 ga. x 1"	500	445	25	31
W510106	3/4"	3/8"	3-1/2"	2-1/2"	11 ga. x 1"	500	445	25	35
W510110	1"	3/8"	3-3/4"	2-3/4"	11 ga. x 1"	500	445	25	39
W510112	1-1/4"	3/8"	4-1/4"	3-1/4"	11 ga. x 1"	500	445	25	40
W510114	1-1/2"	3/8"	4-1/2"	3-1/2"	11 ga. x 1"	800	715	25	45
W510120	2"	1/2"	5-1/4"	4-1/4"	3 ga. x 1"	1040	930	25	123
W510124	2-1/2"	1/2"	6-1/4"	5-1/4"	3 ga. x 1"	1040	930	20	133
W510130	3"	1/2"	7"	6"	3 ga. x 1"	1040	930	10	153
W510134	3-1/2"	1/2"	7-3/8"	6-3/8"	3 ga. x 1"	1040	930	10	168
W510140	4"	5/8"	8-1/8"	6-7/8"	3 ga. x 1-1/4"	1040	930	BULK	186
W510150	5"	5/8"	9-7/8"	8-5/8"	3ga. x 1-1/4"	1040	930	BULK	213
W510160	6"	3/4"	11-1/2"	9-3/4"	3/8" x 1-1/2"	1615	1440	BULK	506
W510180	8"	3/4"	14"	12"	3/8" x 1-1/2"	1615	1440	BULK	608
W5101100	10"	7/8"	17-1/8"	15-1/8"	1/2" x 2"	2490	2220	BULK	1281
W5101120	12"	7/8"	19-3/4"	17-3/4"	1/2" x 2"	2490	2220	BULK	1308
W5101140	14"	7/8"	22-5/8"	19-1/4"	1/2" x 2"	2490	2220	BULK	1670
W5101160	16"	7/8"	25-1/4"	19-7/8"	1/2" x 2-1/2"	2490	2220	BULK	2319
W5101180	18"	1"	25-3/4"	21-3/4"	5/8" x 2-1/2"	3060	2730	BULK	3312
W5101200	20"	1-1/8"	28-5/8"	25-1/8"	5/8" x 2-1/2"	3060	2730	BULK	3866
W5101240	24"	1-1/4"	34-1/2"	31"	5/8" x 3"	3060	2730	BULK	5227
W5101300	30"	1-1/2"	41-3/4"	37-1/4"	3/4" x 4"	4000	3520	BULK	10513

PIPE & RISER
CLAMPS

PVC COATED RISER

IRON PIPE RISER CLAMP – SERIES W530

-PVC COATED-

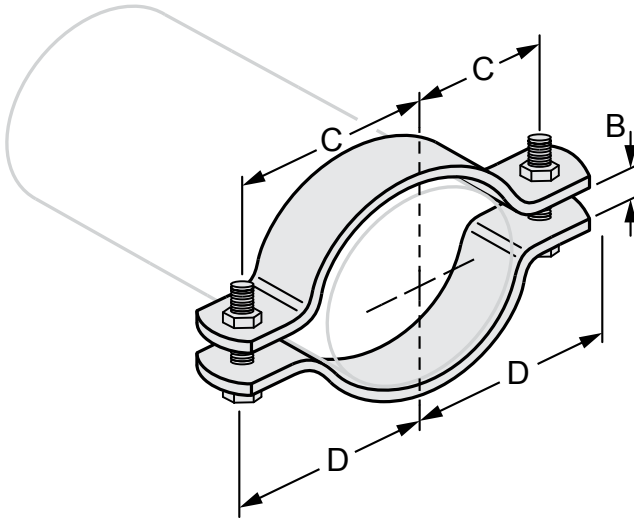


- Size Range:** 1/2" through 12" pipe size.
- Material:** Carbon Steel.
- Finish:** Plain with PVC Coating.
- Ordering:** Specify rod size; pipe size; finish and series #.
- Approvals:** Complies with Federal Specification WW-H-171E (Type 8) and Manufacturers Standardization Society MSS-SP-69 (Type 8).
- Function:** Recommended for supporting and stabilizing vertical pipe runs. The PVC Coating provides a barrier between the riser clamp and pipe.

PART #	PIPE SIZE	SIZE (B)	MAXIMUM RECOMMENDED LOAD(lbs.)	CARTON QTY.	LBS./100pcs
W530504	1/2"	9-1/2"	255	25	121
W530506	3/4"	9-1/2"	255	25	130
W530510	1"	9-3/4"	255	25	134
W530512	1-1/4"	10-1/4"	255	25	142
W530514	1-1/2"	10-3/4"	255	25	150
W530520	2"	11-1/2"	255	25	160
W530524	2-1/2"	12"	390	25	190
W530530	3"	13"	530	20	245
W530534	3-1/2"	14-1/2"	670	BULK	260
W530540	4"	15"	810	BULK	310
W530550	5"	16-3/4"	1160	BULK	350
W530560	6"	18-1/2"	1570	BULK	380
W530580	8"	22-1/4"	2500	BULK	726
W5305100	10"	22"	2500	BULK	1140
W5305200	12"	22-1/2"	2700	BULK	1610

PIPE & RISER CLAMPS

HEAVY DUTY PIPE CLAMP – SERIES W511



Size Range: 3" through 24" pipe size.

Material: Low Carbon Steel.

Finish: Plain.

Ordering: Specify pipe size; finish and series #.

Approvals: Complies with Federal Specifications A-A1192A (Type 4) and Manufacturers' Standardization Society ANSI/SP-69 and SP-58 (type 4).

Function: Designed to be used in the suspension of non-insulated pipe lines where heavier loads are to be suspended. Normally used in conjunction with Series W715 weldless eye nut or Series W868 welded eye rod to allow flexibility at the rod attachment.

Available In: Electro-Galvanized, 304 & 316 Stainless Steel.

All pipe clamps are plain steel.
To order other finishes, change the 5th character in the Part # as seen below:

STAINLESS STEEL (304) = 8

STAINLESS STEEL (316) = 0

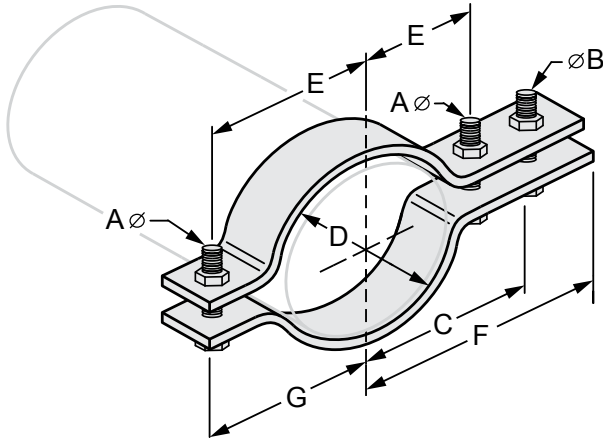
ELECTRO-GALVANIZED = 2

Example: W511 ~~4~~ 30 = ELECTRO-GALV
2

PART #	PIPE SIZE	BOLT SIZE	SIZE (B)	SIZE (C)	SIZE (D)	MAXIMUM REC. LOAD(lbs.)		LBS./100pcs
						650 F	750 F	
W511130	3"	3/4"	1"	3"	4-1/8"	3370	3005	496
W511134	3-1/2"	3/4"	1"	3-1/4"	4-3/8"	3370	3005	536
W511140	4"	7/8"	1"	3-11/16"	4-15/16"	3515	3135	574
W511150	5"	7/8"	1"	4-5/16"	5-9/16"	3515	3135	713
W511160	6"	1"	1-1/8"	5-3/16"	6-11/16"	4865	4340	1348
W511180	8"	1"	1-1/8"	6-1/4"	8-1/4"	4865	4340	1578
W5111100	10"	1-1/4"	1-1/4"	7-7/8"	9-7/8"	6010	5360	2420
W5111120	12"	1-1/2"	1-5/8"	9-1/2"	11-7/8"	8675	7740	4154
W5111140	14"	1-1/2"	1-5/8"	10-1/8"	12-1/4"	9120	8135	5325
W5111160	16"	1-1/2"	1-5/8"	11-3/16"	13-15/16"	9120	8135	5635
W5111180	18"	1-1/2"	1-5/8"	12-3/16"	15-1/4"	9150	8160	7012
W5111200	20"	1-1/2"	1-5/8"	13-5/16"	15-13/16"	9150	8160	7468
W5111240	24"	1-1/2"	1-3/4"	15-3/8"	17-3/4"	9200	8205	12629

DOUBLE BOLT PIPE

DOUBLE BOLT PIPE CLAMP – SERIES W520



- Size Range:** 3/4" through 36" pipe size.
- Material:** Carbon Steel.
- Finish:** Plain.
- Ordering:** Specify pipe size; finish and series #.
- Function:** Recommended for the suspension of insulated pipe lines normally used with weldless eye nut.
- Available In:** Electro-Galvanized, 304 & 316 Stainless Steel.

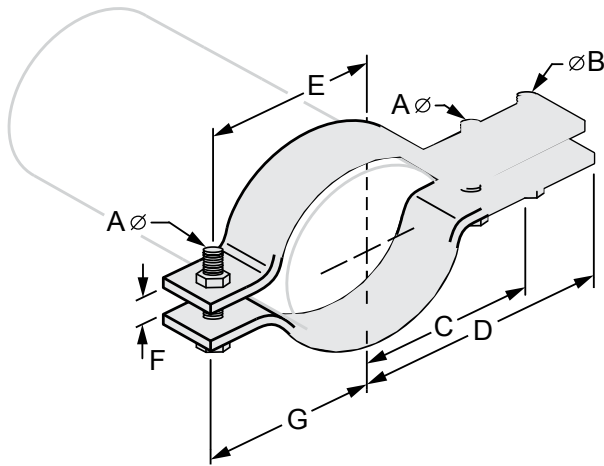
All pipe clamp are plain steel.
To order other finishes, change the 5th character in the Part # as seen below:
STAINLESS STEEL (304) = 8
STAINLESS STEEL (316) = 0
ELECTRO-GALVANIZED = 2
Example: **W520, 2 06** = ELECTRO-GALV 2

PART #	PIPE SIZE	BOLT SIZE (A)	BOLT SIZE (B)	SIZE (C)	SIZE (D)	SIZE (E)	SIZE (F)	SIZE (G)	MAXIMUM REC. LOAD (lbs.)		LBS./100pcs
									650 F	750 F	
W520106	3/4"	3/8"	3/8"	2-3/4"	1"	1-3/8"	3-1/2"	2"	950	850	83
W520110	1"	3/8"	3/8"	2-7/8"	1/1/4"	1-3/8"	3-1/2"	2"	950	850	102
W520112	1-1/4"	3/8"	3/8"	3"	1-5/8"	1-1/2"	3-1/2"	2"	950	850	102
W520114	1-1/2"	1/2"	5/8"	4-5/8"	2"	2"	5-1/4"	2-5/8"	1545	1380	230
W520120	2"	1/2"	5/8"	4-3/4"	2-3/8"	2-1/8"	5-3/8"	2-3/4"	1545	1380	260
W520124	2-1/2"	1/2"	5/8"	5"	2-7/8"	2-1/2"	5-5/8"	3"	1545	1380	271
W520130	3"	1/2"	5/8"	5-3/8"	3-1/2"	2-3/4"	6"	3-3/8"	1545	1380	303
W520134	3-1/2"	1/2"	5/8"	5-5/8"	4"	3"	6-1/4"	3-5/8"	1545	1380	328
W520140	4"	5/8"	3/4"	7"	4-1/2"	4"	8"	5"	2500	2230	667
W520150	5"	5/8"	3/4"	7-5/8"	5-1/2"	4-5/8"	8-5/8"	5-5/8"	2500	2230	705
W510160	6"	3/4"	7/8"	8-5/8"	6-5/8"	5-1/8"	9-7/8"	6-3/8"	2865	2555	1145
W520180	8"	3/4"	7/8"	9-7/8"	8-5/8"	6-3/8"	11-1/8"	7-5/8"	2865	2555	1345
W5201100	10"	7/8"	1"	11-1/8"	10-3/4"	7-5/8"	12-3/8"	8-7/8"	3240	2890	1980
W5201120	12"	7/8"	1"	12-1/2"	12-3/4"	9"	13-3/4"	10-1/4"	3240	2890	2225
W5201140	14"	7/8"	1-1/4"	13-1/2"	14"	10"	15"	11-1/2"	4300	3835	3768
W5201160	16"	7/8"	1-1/4"	14-1/4"	16"	10-5/8"	15-3/4"	12-1/8"	4300	3835	4140
W5201180	18"	1"	1-1/4"	15-1/2"	18"	11-3/4"	16-5/8"	13-1/4"	4300	3835	4487
W5201200	20"	1-1/4"	1-3/8"	16-1/2"	20"	13"	18"	14-1/2"	5490	4900	5725
W5201240	24"	1-1/4"	1-3/8"	18-3/4"	24"	15-1/4"	20-1/4"	16-3/4"	4500	4015	6590
W5201300	30"	1-3/8"	1-3/8"	23"	30"	19"	26"	22"	8000	-	19502
W5201360	36"	1-3/8"	1-3/4"	28-7/8"	36"	22-1/8"	32-3/8"	22-5/8"	8000	-	23488

PIPE & RISER CLAMPS

DOUBLE BOLT PIPE

DOUBLE BOLT PIPE CLAMP – SERIES W521



- Size Range:** 3/4" through 24" pipe size.
- Material:** Low Carbon Steel.
- Finish:** Plain.
- Ordering:** Specify pipe size; finish and series #.
- Approvals:** Complies with Federal Specifications A-A-1192A (Type 3) and Manufacturers' Standardizations ANSI/SP-69 and SP-58 (Type 3).
- Function:** Designed for the suspension of high temperature insulated pipe lines. Normally used in conjunction with Series W715 weldless eye nut or Series W868 welded eye rod to allow flexibility at the rod attachment. The clamp can be used with up to 4" of insulation and temperatures up to 750 F.
- Available In:** Electro-Galvanized, 304 & 316 Stainless Steel.

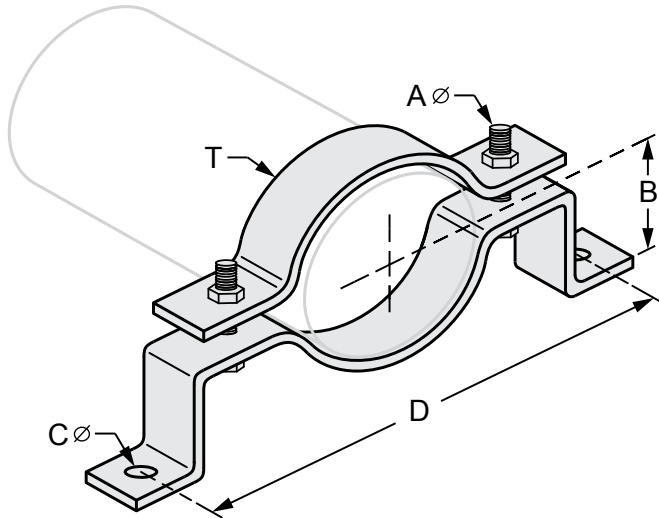
All pipe clamps are plain steel.
To order other finishes, change the 5th character in the Part # as seen below:
STAINLESS STEEL (304) = 8
STAINLESS STEEL (316) = 0
ELECTRO-GALVANIZED = 2
Example: **W521, 2 06** = ELECTRO-GALV 2

PART #	PIPE SIZE	BOLT SIZE (A)	BOLT SIZE (B)	SIZE (C)	SIZE (D)	SIZE (E)	SIZE (F)	SIZE (G)	MAXIMUM REC. LOAD(lbs.)		LBS./ 100pcs
									650 F	750 F	
W521106	3/4"	3/8"	3/8"	2-13/16"	3-7/16"	1-3/8"	5/8"	2"	950	850	83
W521110	1"	3/8"	3/8"	2-7/8"	3-1/2"	1-3/8"	5/8"	2"	950	850	102
W521112	1-1/4"	3/8"	3/8"	2-15/16"	3-9/16"	1-7/16"	5/8"	2-1/16"	950	850	107
W521114	1-1/2"	1/2"	5/8"	4-5/8"	5-1/4"	2"	1"	2-5/8"	1545	1380	230
W521120	2"	1/2"	5/8"	4-3/4"	5-3/8"	2-1/8"	1"	2-3/4"	1545	1380	260
W521124	2-1/2"	1/2"	5/8"	5-1/16"	5-11/16"	2-7/16"	1"	3-1/16"	1545	1380	271
W521130	3"	1/2"	5/8"	5-3/8"	6"	2-3/4"	1"	3-3/8"	1545	1380	303
W521134	3-1/2"	1/2"	5/8"	5-11/16"	6-5/16"	3-1/16"	1"	3-11/16"	1545	1380	328
W521140	4"	5/8"	3/4"	7-1/16"	8-1/16"	4-1/16"	1"	5-1/16"	2500	2230	667
W521150	5"	5/8"	3/4"	7-5/8"	8-5/8"	4-5/8"	1"	5-5/8"	2500	2230	705
W521160	6"	3/4"	7/8"	8-5/8"	9-7/8"	5-1/8"	1-1/2"	6-3/8"	2865	2555	1145
W521180	8"	3/4"	7/8"	9-7/8"	11-1/8"	6-3/8"	1-1/2"	7-5/8"	2865	2555	1345
W5211100	10"	7/8"	1"	11-1/8"	12-3/8"	7-5/8"	1-1/2"	8-7/8"	3240	2890	1980
W5211120	12"	7/8"	1"	12-1/2"	13-3/4"	9"	1-1/2"	10-1/4"	3240	2890	2225
W5211140	14"	7/8"	1-1/4"	13-9/16"	15-1/16"	9-15/16"	1-1/2"	11-7/16"	4300	3835	3768
W5211160	16"	7/8"	1-1/4"	14-5/16"	15-13/16"	10-11/16"	1-1/2"	12-3/16"	4300	3835	4140
W5211180	18"	1"	1-1/4"	15-7/16"	16-11/16"	11-13/16"	1-1/2"	13-5/16"	4300	3835	4487
W5211200	20"	1-1/8"	1-3/8"	16-1/2"	18"	13"	2"	14-1/2"	4500	4015	5725
W5211240	24"	1-1/4"	1-3/8"	18-3/4"	20-1/4"	15-1/4"	2"	16-3/4"	5490	4900	6590

PIPE & RISER CLAMPS

OFFSET PIPE

OFFSET PIPE CLAMP – SERIES W540



Size Range: 3/4" through 12" pipe size.

Material: Carbon Steel.

Finish: Plain.

Ordering: Specify rod size; pipe size; finish and series #.

Function: Design to be used in the clamping of pipe lines at a fixed distance away from the floor or wall.

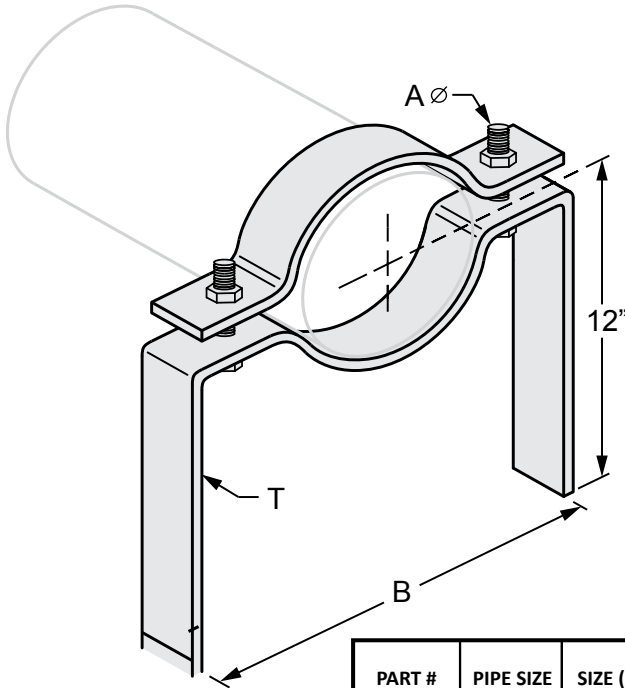
Available In: 304 & 316 Stainless Steel

PART #	PIPE SIZE	SIZE (A)	SIZE (B)	SIZE (C)	SIZE (D)	THICKNESS (T)	MAXIMUM RECOMMENDED LOAD(lbs.)	CARTON QTY.	LBS./100pcs
W540106	3/4"	3/8"	2-1/2"	7/16"	5-7/8"	7 ga. x 1-1/4"	190	100	87
W540110	1"	3/8"	2-5/8"	7/16"	6"	7 ga. x 1-1/4"	190	100	92
W540112	1-1/4"	3/8"	2-3/4"	7/16"	6-1/2"	7 ga. x 1-1/4"	190	100	115
W540114	1-1/2"	3/8"	3"	7/16"	6-1/2"	7 ga. x 1-1/4"	190	100	124
W540120	2"	3/8"	3-1/4"	7/16"	7-5/8"	3 ga. x 1-1/4"	420	100	156
W540124	2-1/2"	3/8"	3-1/2"	7/16"	8-3/8"	3 ga. x 1-1/4"	420	100	178
W540130	3"	3/8"	3-1/2"	7/16"	8-3/4"	3 ga. x 1-1/4"	420	100	198
W540134	3-1/2"	1/2"	4"	7/16"	9-3/4"	3 ga. x 1-1/4"	420	100	245
W540140	4"	1/2"	4-1/4"	9/16"	11"	3 ga. x 1-1/4"	610	50	300
W540150	5"	1/2"	4-3/4"	9/16"	12-1/8"	3 ga. x 1-1/4"	610	25	350
W540160	6"	1/2"	5-1/4"	9/16"	14-3/8"	3/8. x 1-1/2"	870	25	650
W540180	8"	1/2"	6-1/4"	9/16"	16-1/2"	3/8. x 1-1/2"	870	25	790
W5401100	10"	5/8"	7-3/4"	11/16"	19-1/8"	3/8. x 2"	870	25	1270
W5401120	12"	5/8"	8-7/8"	11/16"	25-1/2"	3/8. x 2"	870	20	2120

All above pipe clamps are plain steel. To order other finishes, change the 5th character in the Part # as seen below:
 STAINLESS STEEL (304) = 8
 STAINLESS STEEL (316) = 0
 Example: **W540106** = STAINLESS STEEL (304)
 8

PIPE & RISER CLAMPS

EXTENDED PIPE CLAMP – SERIES W550



- Size Range:** 3/4" through 8" pipe size.
- Material:** Carbon Steel.
- Finish:** Plain.
- Ordering:** Specify rod size; pipe size; finish and series #.
- Function:** Design for direct welding of hanger to steel structure.
- Available In:** 304 & 316 Stainless Steel

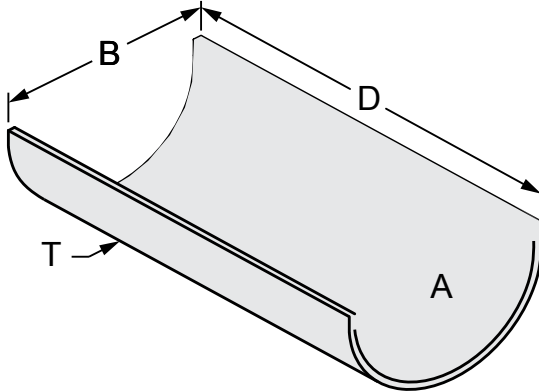
PART #	PIPE SIZE	SIZE (A)	SIZE (B)	THICKNESS (T)	LBS./100pcs
W550106	3/4"	3/8"	4-1/8"	7 ga. x 1-1/4"	182
W550110	1"	3/8"	4-1/4"	7 ga. x 1-1/4"	225
W550112	1-1/4"	3/8"	4-3/4"	7 ga. x 1-1/4"	239
W550114	1-1/2"	3/8"	5"	7 ga. x 1-1/4"	244
W550120	2"	3/8"	6"	3 ga. x 1-1/4"	319
W550124	2-1/2"	3/8"	6-1/2"	3 ga. x 1-1/4"	334
W550130	3"	3/8"	7"	3 ga. x 1-1/4"	354
W550140	4"	1/2"	9"	3 ga. x 1-1/2"	475
W550150	5"	1/2"	10-1/8"	3 ga. x 1-1/2"	475
W550160	6"	1/2"	12"	3ga. x 2"	383
W550180	8"	1/2"	14-1/8"	3ga. x 2"	925

All above pipe clamps are plain steel. To order other finishes, change the 5th character in the Part # as seen below:
 STAINLESS STEEL (304) = 8
 STAINLESS STEEL (316) = 0
 Example: **W550106** = STAINLESS STEEL (304)
8

PIPE & RISER
CLAMPS

INSULATION PROTECTION SHIELD

INSULATION PROTECTION SHIELD – SERIES W560



- Size Range:** Sizes 0 through 20 pipe size (see table below).
- Material:** Carbon Steel.
- Finish:** Electro-Galvanized.
- Ordering:** Specify shield size; pipe size; finish, insulation thickness and series #.
- Function:** Design to protect pipe insulation from crushing when used with hangers.
- Available In:** Pre-Galvanized, 304 & 316 Stainless Steel.

All protection shields are electro-galv. To order other finishes, change the 5th character in the Part # as seen below:

STAINLESS STEEL (304) = 8
 STAINLESS STEEL (316) = 0
 PRE-GALVANIZED = 4

Example: **W560200** = PRE-GALV
 4

PART #	SHIELD SIZE	SHIELD I.D. SIZE (A)	MAX O.D. OF INSULATION SIZE (B)	SIZE (D)	THICKNESS (T)	LBS./100pcs
W560200	0	1-7/8"	1.9"	12"	18 ga.	45
W560201	1	2-3/8"	2.4"	12"	18 ga.	66
W560202	2	2-7/8"	2.9"	12"	18 ga.	78
W560203	3	3-1/2"	3.5"	12"	18 ga.	98
W560204	4	4"	4.0"	12"	18 ga.	109
W560205	5	4-1/2"	4.5"	12"	18 ga.	122
W560206	6	5"	5.0"	12"	18 ga.	145
W560207	7	5-1/2"	5.6"	12"	18 ga.	155
W560208	8	6-5/8"	6.7"	12"	16 ga.	172
W560209	9	7-5/8"	7.7"	12"	16 ga.	188
W560210	10	8-5/8"	8.7"	12"	16 ga.	210
W560211	11	7-5/8"	7.7"	18"	16 ga.	221
W560212	12	8-5/8"	8.7"	18"	16 ga.	232
W560213	13	9-5/8"	9.7"	18"	16 ga.	247
W560214	14	10-3/4"	10.8"	18"	16 ga.	288
W560215	15	11-3/4"	11.8"	24"	14 ga.	305
W560216	16	12-3/4"	12.8"	24"	14 ga.	320
W560217	17	14"	14.0"	24"	14 ga.	390
W560218	18	15"	15.0"	24"	14 ga.	410
W560219	19	16"	16.0"	24"	14 ga.	450
W560220	20	17"	17.0"	24"	14 ga.	505

NOMINAL PIPE SIZE

	1/2"	3/4"	1"	1-1/2"	2"
1/2"	0	1			
3/4"	1	1	2	4	6
1"	1	2	3	5	7
1-1/4"	2	3	3	6	7
1-1/2"	2	3	4	6	7
2"	3	4	5	7	8
2-1/2"	4	5	6	7	8
3"	5	6	7	8	9
3-1/2"			8	9	10
4"			8	9	10
5"			11	12	13
6"			12	13	14
8"			14	15	16
10"			16	17	18
12"			18	19	20

INSULATION THICKNESS

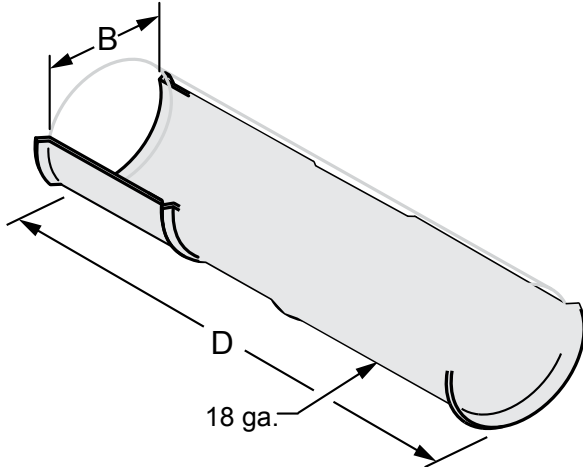
PIPE & RISER CLAMPS

SELF CENTERING SHIELD

G-FORCE®

Section 6

SELF CENTERING INSULATION SHIELD – SERIES W561



Material: Low Carbon Steel.

Finish: Pre-Galvanized

Ordering: Specify inside shield diameter and series #.

Function: Design to provide maximum protection to the insulation. The centering ribs are spaced to center the hanger on the shield, providing equal load distribution. The shield is furnished with flared ends to prevent it from cutting into the insulation.

Available In: 304 and 316 Stainless Steel.

Note: All shields furnished with flared ends.

PART #	INSIDE DIAMETER OF SHIELD (B)	SHIELD LENGTH (D)	HANGER SIZE	RIB SPACING	LBS./ INCH
W561223	2-3/8"	8"	2"	1-1/4"	.35
W561225	2-5/8"	8"	2-1/2"	1-1/4"	.37
W561227	2-7/8"	8"	2-1/2"	1-1/4"	.42
W561234	3-1/2"	8"	3"	1-1/4"	.56
W561240	4"	8"	3-1/2"	1-1/4"	.63
W561244	4-1/2"	8"	4"	1-1/4"	.72
W561250	5"	8"	5"	1-1/4"	.82
W561255	5-5/8"	8"	5"	1-1/4"	.92
W561260	6"	8"	6"	2"	.98
W561265	6-5/8"	8"	6"	2"	1.08
W561275	7-5/8"	12"	8"	2"	2.16
W561285	8-5/8"	12"	8"	2"	2.43

PART #	INSIDE DIAMETER OF SHIELD (B)	SHIELD LENGTH (D)	HANGER SIZE	RIB SPACING	LBS./ INCH
W561295	9-5/8"	12"	10"	2"	2.73
W5612106	10-3/4"	12"	10"	2"	3.06
W5612116	11-3/4"	12"	12"	2-1/4"	3.34
W5612126	12-3/4"	12"	12"	2-1/4"	3.60
W5612140	14"	12"	14"	2-1/4"	3.96
W5612150	15"	12"	16"	2-3/4"	4.23
W5612160	16"	12"	16"	2-3/4"	2.35
W5612140	17"	12"	18"	2-3/4"	2.80
W5612180	18"	12"	18"	2-3/4"	5.08
W5612190	19"	12"	20"	3-1/4"	5.36
W5612200	20"	12"	20"	3-1/4"	5.56
W5612210	21"	12"	24"	3-1/4"	5.90

Above insulation shield are electro-galvanized. To order other finishes, change the 5th character in the Part # as seen below:

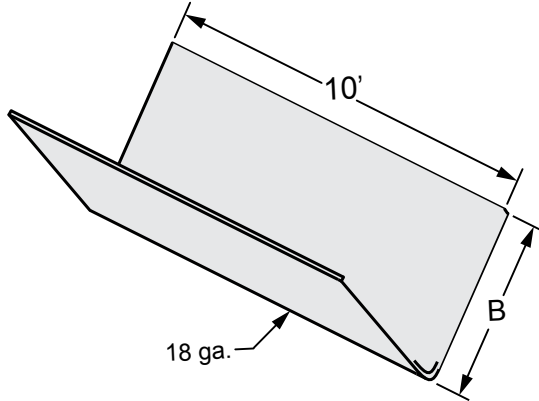
STAINLESS STEEL (304) = 8

STAINLESS STEEL (316) = 0

Example: **W561,2²23** = STAINLESS STEEL (304)
8

SUPPORTS / SADDLES

PLASTIC PIPE SUPPORT TROUGH – SERIES W562



- Material:** Low Carbon Steel.
- Finish:** Electro-Galvanized.
- Ordering:** Specify trough size; pipe size and series #.
- Function:** Designed for use with Series W413 as a support for plastic or other flexible pipe systems. Hangers should be placed as close to the trough joints as possible.

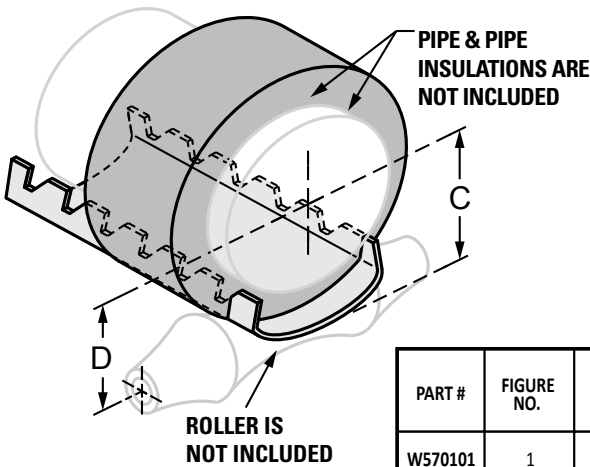
Available In: 304 & 316 Stainless Steel.

All support troughs are Electro-Galvanized. To order other finishes, change the 5th character in the Part # as seen below:
 STAINLESS STEEL (304) = 8
 STAINLESS STEEL (316) = 0
 Example: **W562,214** = STAINLESS
 8 STEEL (304)

PART #	SIZE (B)	PIPE SIZE	MAXIMUM RECOMMENDED LOAD(lbs.)	LBS./PER PCS
W562214	1-1/2"	1/2" - 2"	150	5.4
W562230	3"	2-1/2 - 4"	150	10.8

PIPE COVERING PROTECTION SADDLE – SERIES W570

PIPE & RISER CLAMPS



- Size Range:** 3/4" through 24" pipe sizes.
 - Material:** Carbon Steel.
 - Finish:** Plain.
 - Ordering:** Specify pipe size; finish, and series #.
 - Function:** Recommended for the suspension of insulated pipe lines normally used with weldless eye nut.
- Available In:** 304 & 316 Stainless Steel

All protection saddles are plain steel. To order other finishes, change the 5th character in the Part # as seen below:
 STAINLESS STEEL (304) = 8
 STAINLESS STEEL (316) = 0
 Example: **W570,101** = STAINLESS
 8 STEEL (304)

PART #	FIGURE NO.	PIPE SIZE	ACTUAL THICKNESS OF COVERING	HANGER ROLLER SIZE		CENTER LINE OF PIPE TO CENTER LINE OF SADDLE (C)	CENTER LINE OF PIPE TO CENTER LINE OF ROLLER (D)	MAXIMUM RECOMMENDED LOAD(lbs.)	LBS./100pcs
				series 630	series 610				
W570101	1	3/4	7/8	2	2-1/2	1-9/16	1-15/16	1200	93
W570102	2	3/4	1-7/16	3	3-1/2	2-1/8	2-5/8	1200	174
W570103	3	3/4	2-1/16	4	5	2-3/4	3-3/8	1200	260
W570104	4	1	1-1/16	2-1/2	3	1-13/16	2-1/4	1200	93
W570105	5	1	1-9/16	3	4	2-7/16	2-15/16	1200	174
W570106	6	1	2-1/8	4	5	2-7/8	3-1/2	1200	260
W570107	7	1-1/4	7/8	2-1/2	3	1-15/16	2-1/2	1200	132

* NOTE: PART LIST CONTINUES ON NEXT PAGE *

SADDLES

G-FORCE®

Section 6

PART #	FIGURE NO.	PIPE SIZE	ACTUAL THICKNESS OF COVERING	HANGER ROLLER SIZE		CENTER LINE OF PIPE TO CENTER LINE OF SADDLE (C)	CENTER LINE OF PIPE TO CENTER LINE OF ROLLER (D)	MAXIMUM RECOMMENDED LOAD(lbs.)	LBS./100pcs
				series 630	series 610				
W570108	8	1-1/4	1-5/8	3-1/2	5	2-9/16	3-1/8	1200	182
W570109	9	1-1/4	2-1/16	5	5	3-1/16	3-11/16	1200	260
W570110	10	1-1/2	1	3	3-1/2	2-1/8	2-5/8	1200	132
W570111	11	1-1/2	1-1/2	3-1/2	5	2-11/16	3-1/4	1200	182
W570112	12	1-1/2	2-5/16	5	6	3-7/16	4-1/8	1800	275
W570113	13	1-1/2	2-13/16	7	7	3-13/16	4-5/8	1800	301
W570114	14	2	1-1/16	3-1/2	4	2-7/16	3	1200	134
W570115	15	2	1-9/16	4	5	2-7/8	3-1/2	1200	198
W570216	16	2	2-1/8	5	6	3-11/16	4-3/8	1800	280
W570117	17	2	2-5/8	7	7	3-15/16	4-3/4	1800	318
W570118	18	2	3-1/8	8	8	4-11/16	5-1/2	1800	397
W570119	19	2-1/2	1-1/16	3-1/2	5	2-11/16	3-1/4	1200	134
W570120	20	2-1/2	1-7/8	5	6	3-3/4	4-1/8	1800	198
W570121	21	2-1/2	2-5/16	6	7	3-15/16	4-5/8	1800	280
W570122	22	2-1/2	2-7/8	7	7	4-7/16	5-1/4	1800	320
W570123	23	2-1/2	3-3/8	8	10	4-15/16	5-3/4	1800	398
W570124	24	3	1	4	5	2-15/16	3-1/2	1200	148
W570125	25	3	1-9/16	5	6	3-1/2	4-3/16	1800	208
W570126	26	3	2-1/16	7	7	4-1/8	4-7/8	1800	290
W570127	27	3	2-9/16	8	8	4-11/16	5-3/8	1800	301
W570128	28	3	3-1/16	10	10	5	5-15/16	1800	449
W570129	29	3-1/2	1-1/4	5	6	3-7/16	4	1200	148
W570130	30	3-1/2	1-13/16	7	7	4	4-11/16	1800	208
W570131	31	3-1/2	2-1/4	8	8	4-3/8	5-3/16	1800	290
W570132	32	3-1/2	2-3/4	8	10	4-13/16	5-3/4	1800	343
W570133	33	3-1/2	3-5/16	10	10	5-1/2	6-7/16	1800	449
W570134	34	4	1-1/16	5	6	3-9/16	4-3/16	1800	158
W570135	35	4	1-9/16	7	7	3-7/8	4-11/16	1800	214
W570136	36	4	2-1/16	8	8	4-11/16	5-1/4	1800	295

PIPE & RISER
CLAMPS

SADDLES

PART #	FIGURE NO.	PIPE SIZE	ACTUAL THICKNESS OF COVERING	HANGER ROLLER SIZE		CENTER LINE OF PIPE TO CENTER LINE OF SADDLE (C)	CENTER LINE OF PIPE TO CENTER LINE OF ROLLER (D)	MAXIMUM RECOMMENDED LOAD (lbs.)	LBS./100pcs
				series 630	series 610				
W570237	37	4	2-9/16	8	10	5-1/8	6-1/16	1800	343
W570138	38	4	3-1/16	10	10	5-9/16	6-1/4	1800	449
W570139	39	4	1	7	7	4-1/8	4-13/16	1800	262
W570140	40	5	1-1/2	8	8	4-1/2	5-5/16	1800	330
W570141	41	5	2	8	10	4-15/16	5-7/8	1800	345
W570142	42	5	2-9/16	10	12	5-9/16	6-1/2	1800	585
W570143	43	5	3-1/16	10	12	6-1/8	7-1/16	1800	449
W570144	44	5	4-3/16	12	14	7-3/16	8-1/4	1800	609
W570145	45	6	1	8	8	4-9/16	5-3/8	1800	382
W570146	46	6	1-1/2	8	10	5-1/16	5-7/8	1800	428
W570147	47	6	2	10	12	5-1/2	6-1/2	1800	540
W570148	48	6	2-1/2	10	12	6-1/16	7-1/16	1800	685
W570149	49	6	3	12	12	6-9/16	7-5/8	1800	769
W570150	50	6	4-1/8	14	16	7-5/8	9-1/8	1800	1024
W570151	51	8	1-1/2	10	12	6	7-1/8	1800	582
W570152	52	8	2	12	12	6-1/2	7-5/8	1800	641
W570153	53	8	2-11/16	12	14	7-1/4	8-5/16	1800	721
W570154	54	8	3-1/8	14	16	7-5/8	9-1/8	1800	914
W570155	55	8	4-1/8	16	18	8-11/16	10-1/8	1800	1024
W570156	56	10	1-9/16	12	14	7-1/4	8-5/16	1800	666
W570157	57	10	2-1/16	14	16	7-5/8	9-1/16	1800	857
W570158	58	10	2-9/16	14	16	8-3/16	9-5/8	1800	891
W570159	59	10	3-1/16	16	18	8-7/8	10-1/4	1800	1110
W570160	60	10	4-1/16	18	20	9-11/16	11-5/16	1800	1410
W570161	61	12	1-1/2	14	16	8-1/8	9-5/8	5000	761
W570162	62	12	2-1/16	16	18	8-13/16	10-3/16	5000	873
W570163	63	12	2-5/8	16	18	9-1/8	10-11/16	5000	969
W570164	64	12	3-1/16	18	20	9-11/16	11-5/16	5000	1138
W570165	65	12	4-1/8	20	-	10-13/16	12-3/8	5000	1420

PIPE & RISER CLAMPS

SADDLES

G-FORCE®

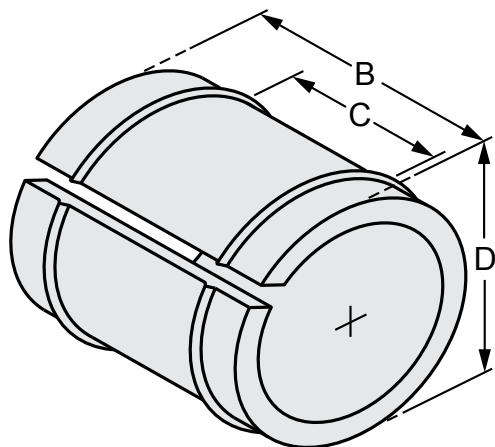
Section 6

PART #	FIGURE NO.	PIPE SIZE	ACTUAL THICKNESS OF COVERING	HANGER ROLLER SIZE		CENTER LINE OF PIPE TO CENTER LINE OF SADDLE (C)	CENTER LINE OF PIPE TO CENTER LINE OF ROLLER (D)	MAXIMUM RECOMMENDED LOAD(lbs.)	LBS./100pcs
				series 630	series 610				
W570166	66	14	1-1/2	16	18	8-7/8	10-3/16	5000	767
W570167	67	14	2	16	18	9-1/4	10-3/4	5000	943
W570168	68	14	2-1/2	18	20	9-3/4	11-5/16	5000	969
W570169	69	14	3	18	20	10-1/4	11-7/8	5000	1182
W570170	70	14	4	20	-	11-7/16	13-1/8	7200	1848
W570171	71	16	1-1/2	18	20	9-7/8	11-3/8	5000	835
W570172	72	16	2	18	20	10-1/4	11-7/8	5000	1000
W570173	73	16	2-1/2	20	-	10-7/8	12-7/16	7200	1462
W570174	74	16	3	24	-	11-3/16	13-1/18	7200	1817
W570175	75	16	4	24	-	12-5/16	14-3/16	7200	2180
W570176	76	18	1-1/2	20	-	10-7/8	12-1/2	5000	892
W570177	77	18	2	20	-	11-1/2	13-1/16	7200	1319
W570178	78	18	2-1/2	24	-	12	13-5/16	7200	1689
W750179	79	18	3	24	-	12-5/16	14-1/4	7200	1820
W570180	80	18	4	24	-	13-1/2	15/7/16	7200	2195
W570181	81	20	1-1/2	24	-	11-3/4	13-11/16	7200	1376
W570182	82	20	2	24	-	2-5/16	14-1/4	7200	1498
W570183	83	20	2-1/2	24	-	12-7/8	14-13/16	7200	1679
W570184	84	20	3	24	-	13-1/2	15-1/2	7200	1840
W570185	85	20	4	30	-	14-3/16	16-5/8	7200	2283
W570186	86	24	1-1/2	30	-	13-5/8	16-1/16	7200	1605

PIPE & RISER
CLAMPS

FELT ISOLATOR

I.S.P. FELT ISOLATOR – SERIES W585

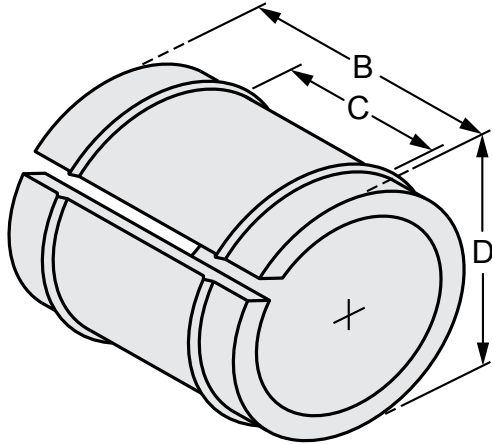


- Size Range:** 1/2" through 6" pipe size.
- Material:** Steel with Felt Lining.
- Finish:** Plain.
- Ordering:** Specify pipe size; finish and series #.
- Function:** Designed to dampen sound vibration and prevent transmission of sound to the building structure. The felt is coated with a non-conducting binder to resist effects of moisture, abrasion and temperature and is chemically treated to repel vermin.

PART #	PIPE SIZE	SIZE(B)	SIZE (C)	SIZE (D)	USE WITH HANGER SIZE	LBS./100pcs
W585104	1/2"	2"	1-1/4"	1-5/32"	3/4"	4.5
W585106	3/4"	2"	1-1/4"	1-5/16"	1"	5.5
W585110	1"	2"	1-1/4"	1-21/32"	1-1/4"	7.0
W585112	1-1/4"	2"	1-1/4"	1-29/32"	1-1/2"	8.0
W585114	1-1/2"	2"	1-1/4"	2-3/8"	2"	10
W585120	2"	2"	1-1/4"	2-7/8"	2-1/2"	15.5
W585124	2-1/2"	2-1/2"	1-1/4"	3-1/2"	3"	23.5
W585130	3"	2-1/2"	1-1/4"	4"	3-1/2"	28
W585134	3-1/2"	3-1/4"	1-1/4"	4-1/2"	4"	46
W585140	4"	3-5/8"	1-3/8"	5-9/16"	5"	68
W585150	5"	4"	2"	6-5/8"	6"	115
W585160	6"	4-1/2"	2"	8-5/8"	8"	190

PIPE & RISER CLAMPS

COPPER TUBING FELT ISOLATOR – SERIES W586



Size Range: 1/2" through 6" pipe size.

Material: Steel with Felt Lining.

Finish: Plain.

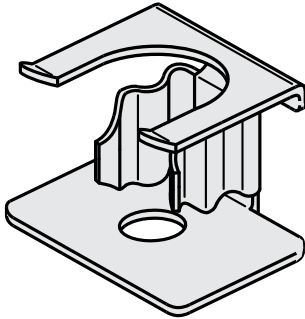
Ordering: Specify pipe size; finish and series #.

Function: Designed to dampen sound vibration and prevent transmission of sound to the building structure. The felt is coated with a non-conducting binder to resist effects of moisture, abrasion and temperature and is chemically treated to repel vermin.

PART #	PIPE SIZE	SIZE(B)	SIZE (C)	SIZE (D)	USE WITH HANGER SIZE	LBS./100pcs
W586104	1/2"	2"	1-1/4"	1-5/32"	3/4"	4.5
W586106	3/4"	2"	1-1/4"	1-5/32"	3/4"	4.5
W586110	1"	2"	1-1/4"	1-5/16"	1"	5.5
W586112	1-1/4"	2"	1-1/4"	1-21/32"	1-1/4"	7.0
W586114	1-1/2"	2"	1-1/4"	1-29/32"	1-1/2"	9.0
W586120	2"	2"	1-1/4"	2-3/8"	2"	10
W586124	2-1/2"	2"	1-1/4"	2-7/8"	2-1/2"	12
W586130	3"	2-1/2"	1-1/4"	3-1/2"	3"	25.5
W586134	3-1/2"	2-1/2"	1-1/4"	4"	3-1/2"	30
W586140	4"	3-1/4"	1-1/4"	4-1/2"	4"	46
W586150	5"	3-5/8"	1-3/8"	5-9/16"	5"	58
W586160	6"	4"	2"	6-5/8"	6"	95

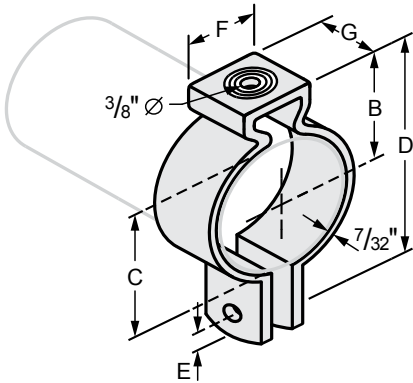
SURGE HANGERS

SURGE RESTRAINT – SERIES W580



- Size Range:** 3/4" through 2" pipe size IP.
- Material:** Spring Steel.
- Finish:** Powder Coating.
- Install:** Install easily before or after pipe installation and without tools. Simply clip Series W866 or W867 onto Series W305 ring hanger and run the hanger rod down to the bottom plate surface to ensure proper restraint.
- Approvals:** Underwriters Laboratories listed for US and Canada.
- Function:** Design to restrict the upward movement of activated fire sprinkler systems. Grips ring hanger, NOTTHE NUT, and allows for fine tuning adjustments. Listed for use with PHD Manufacturing, Inc. Series W305 ring hangers only.
- Note:** For use up to 2" pipe, one size fits all.

SURGE RING HANGER – SERIES W581

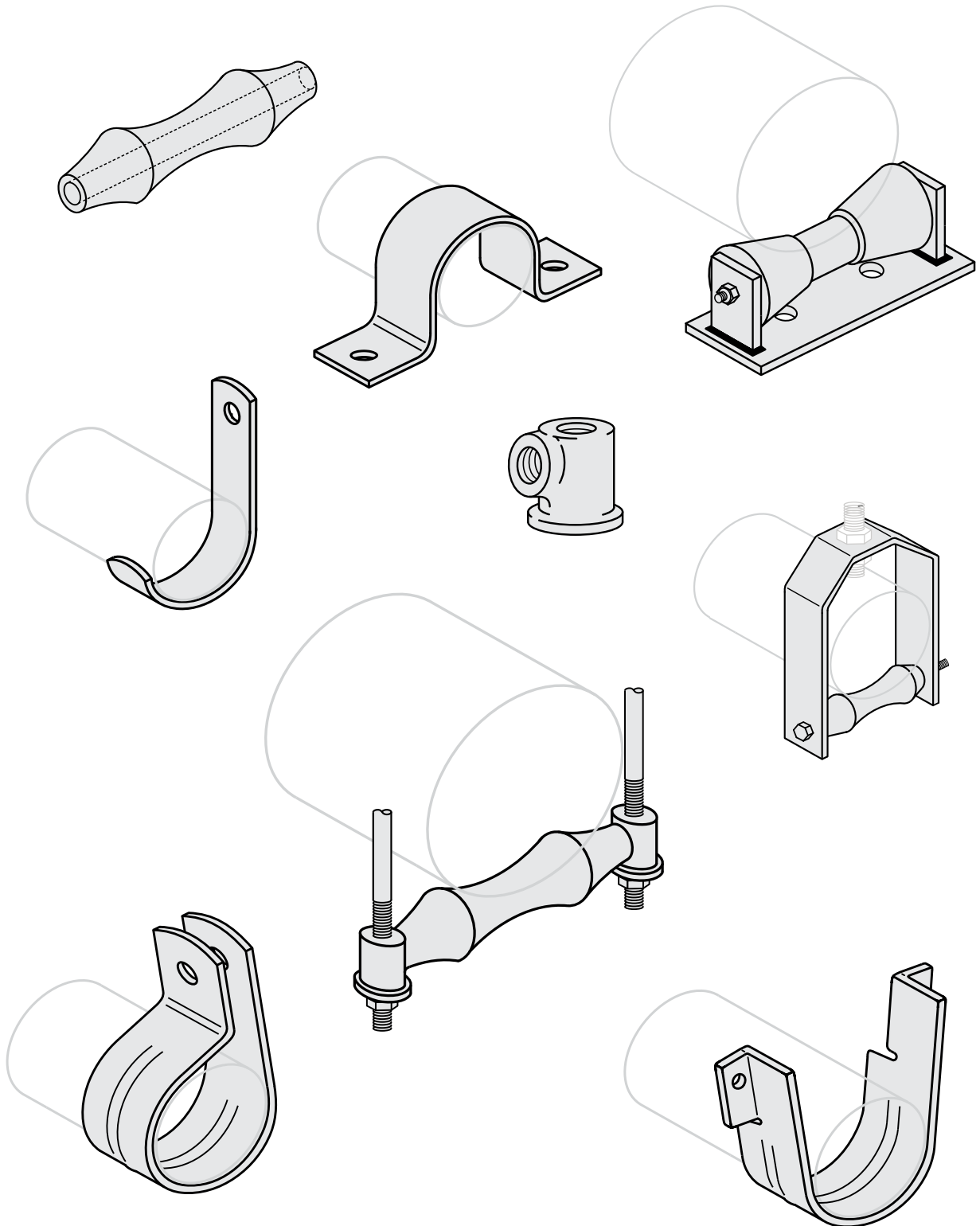


- Size Range:** 3/4" through 2" pipe size.
- Material:** Carbon Steel.
- Finish:** Electro-Galvanized
- Ordering:** Specify pipe size; finish and series #.
- Function:** Recommended for the suspension of non-insulated stationary pipe lines.

PART #	PIPE SIZE	SIZE (B)	MIN. (C)	MAX. (C)	SIZE (D)	SIZE (E)	SIZE (F)	SIZE (G)
W581206	3/4"	7/8"	13/16"	1"	2"	1/4"	7/8"	7/8"
W581210	1"	1-1/4"	1"	1-3/8"	2-3/8"	3/8"	1"	7/8"
W581212	1-1/4"	1-3/8"	1-1/2"	1-5/8"	2-7/8"	3/8"	1"	7/8"
W581214	1-1/2"	1-5/8"	1-5/8"	2"	3-1/4"	3/8"	1-1/8"	1"
W581220	2"	1-7/8"	2-1/4"	2-1/2"	3-3/4"	3/8"	1-1/4"	1-1/4"

SECTION 7

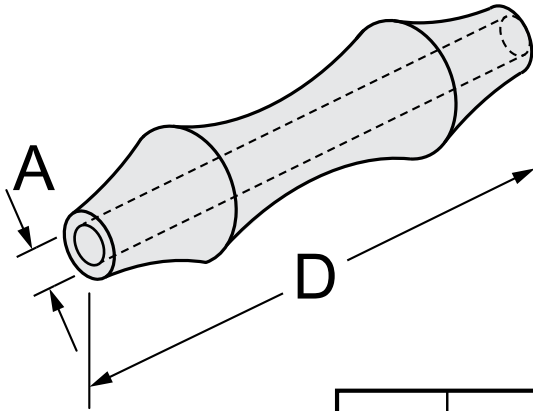
G-FORCE® ROLLER SUPPORTS & STRAPS



ROLLERS & STRAPS

ROLLERS

CAST IRON PIPE ROLLER – SERIES W600



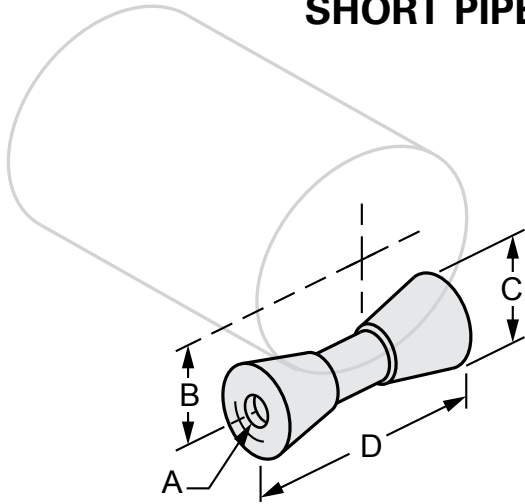
- Size Range:** 2" through 20" pipe size.
- Material:** Carbon Steel.
- Finish:** Plain.
- Ordering:** Specify pipe size; finish and series #.
- Function:** Recommended Designed for the pipe lines where horizontal movement may take place due to expansion and contraction.

PART #	PIPE SIZE	SIZE (A)	SIZE (D)	LBS./ 100pcs
W600120	2"	3/8"	2-5/8"	40
W600124	2-1/2"	1/2"	3-1/8"	70
W600130	3"	1/2"	3-3/4"	77
W600134	3-1/2"	1/2"	4-1/4"	95
W600140	4"	1/2"	4-3/4"	116
W600150	5"	5/8"	5-3/4"	179
W600160	6"	3/4"	6-7/8"	312
W600180	8"	7/8"	8-7/8"	500
W6001100	10"	7/8"	11"	665
W6001120	12"	7/8"	13"	779
W6001140	14"	1-1/8"	14-1/4"	1698
W6001160	16"	1-1/4"	16-1/4"	2230
W6001180	18"	1-1/4"	18-1/4"	2485
W6001200	20"	1-1/4"	20-1/4"	3290

ROLLERS & STRAPS

SHORT ROLLER

SHORT PIPE ROLLER – SERIES W601



- Size Range:** 2" through 42" pipe size.
- Material:** Cast Iron.
- Finish:** Plain.
- Ordering:** Specify rod size; pipe size; finish and series #.
- Function:** Designed for supporting pipe in applications where horizontal movement may occur due to expansion and contraction, will occur.
- Available In:** Electro-Galvanized.

All above pipe rollers are plain steel.
 To order other finishes, change the 5th character in the Part # as seen below:
 ELECTRO-GALVANIZED = 2
 Example: **W610120** = ELECTRO-GALV
2

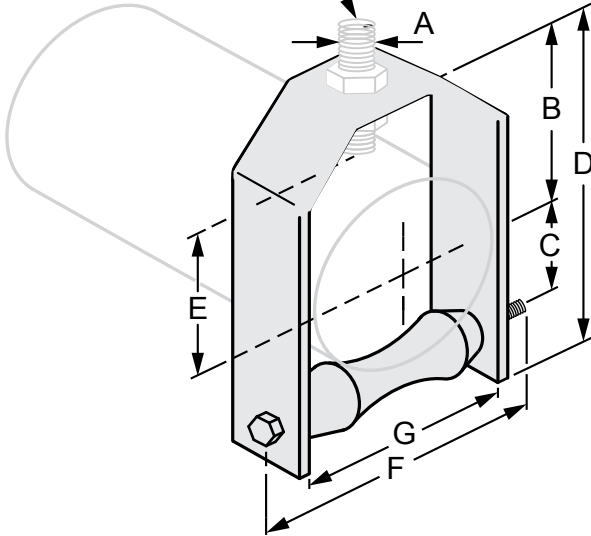
PART #	PIPE SIZE	SIZE (A)	SIZE (B)	SIZE (C)	SIZE (D)	MAXIMUM RECOMMENDED LOAD(lbs.)	LBS./100pcs
W610120	2"	9/16"	1-13/16"	1-15/16"	2-3/4"	390	135
W610124	2-1/2"	9/16"	2-1/8"	1-15/16"	2-3/4"	390	175
W610130	3"	9/16"	2-7/16"	1-15/16"	2-3/4"	390	200
W610134	3-1/2"	9/16"	2-11/16"	1-15/16"	2-3/4"	390	260
W610140	4"	9/16"	3"	2-1/4"	3-3/4"	950	300
W610150	5"	9/16"	3-9/16"	2-1/4"	3-3/4"	950	512
W610160	6"	9/16"	4-1/8"	2-1/4"	3-3/4"	950	650
W610180	8"	13/16"	5-1/4"	3-3/16"	6"	2100	1200
W6101100	10"	13/16"	6-3/8"	3-3/16"	6"	2100	1715
W6101120	12"	1"	7-1/2"	4"	8"	3075	2750
W6101140	14"	1"	8-3/16"	4"	8"	3075	3600
W6101160	16"	1-1/4"	9-5/16"	4-1/2"	9"	4980	4945
W6101180	18"	1-1/4"	10-3/8"	4-1/2"	9"	4980	5535
W6101200	20"	1-1/4"	11-7/16"	4-1/2"	9"	4980	6335
W6101240	24"	1-1/2"	13-7/16"	4-3/8"	10"	6100	3600
W6101300	30"	1-7/8"	16-9/16"	5-3/16"	12-1/4"	7500	4945
W6101360	36"	2-1/8"	19-11/16"	6"	14"	12000	5535
W6101420	42"	2-1/8"	22-3/4"	6"	14"	12000	6335

ROLLERS & STRAPS

ADJUSTABLE ROLLER HANGERS

ADJUSTABLE ROLLER HANGER – SERIES W610

ALL-THREAD AND 2 HEX NUTS ARE NOT INCLUDED



- Size Range:** 2" through 20" pipe size.
- Material:** Carbon Steel Yoke and Cast Iron Roller.
- Finish:** Plain.
- Ordering:** Specify rod size; pipe size; finish and series #.
- Approvals:** Complies with MSS SP-69 (Type 43).
- Function:** For the suspension of pipe lines where horizontal movement may occur due to expansion & contraction.
- Available In:** Electro-Galvanized, 304 and 316 Stainless Steel.

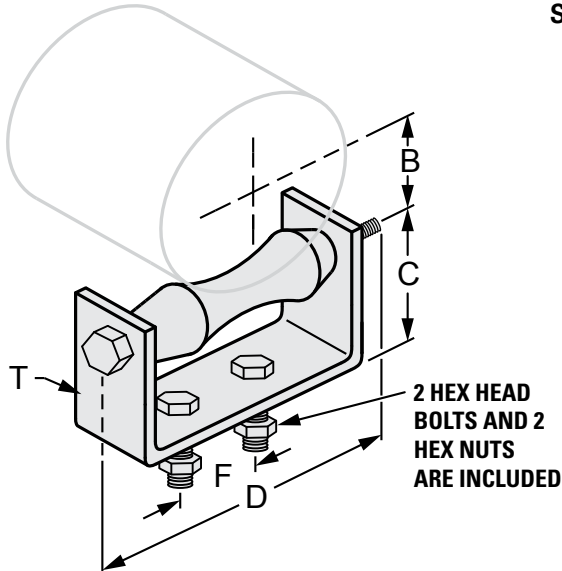
All above roller hangers are plain steel. To order other finishes, change the 5th character in the Part # as seen below:

STAINLESS STEEL (304) = 8
 STAINLESS STEEL (316) = 0
 ELECTRO-GALVANIZED = 2
 Example: **W610, 2 20** = ELECTRO-GALV
 2

PART #	PIPE SIZE	SIZE (A)	SIZE (B)	SIZE (C)	SIZE (D)	SIZE (E)	SIZE (F)	SIZE (G)	MAXIMUM RECOMMENDED LOAD(lbs.)	LBS./100pcs
W610120	2"	1/2"	4"	1-5/8"	6-1/2"	3"	4-1/4"	2-5/8"	280	135
W610124	2-1/2"	1/2"	3-7/8"	2"	6-5/8"	2-3/4"	4-3/4"	3-3/8"	280	175
W610130	3"	1/2"	4-3/8"	2-1/4"	7-1/4"	3-3/8"	5-1/2"	3-3/4"	310	200
W610134	3-1/2"	1/2"	4-5/8"	2-1/2"	8"	3-5/8"	6"	4-1/4"	390	260
W610140	4"	5/8"	4-3/4"	2-3/4"	8-1/2"	3-3/4"	6-1/2"	4-7/8"	475	300
W610150	5"	5/8"	5-7/8"	3-3/8"	9-7/8"	4-1/4"	8"	5-7/8"	685	512
W610160	6"	3/4"	5-7/8"	4"	11-3/8"	4-1/4"	9"	7"	780	650
W610180	8"	7/8"	7-1/4"	5-1/8"	13-3/4"	5-1/2"	12"	9"	780	1200
W6101100	10"	7/8"	9"	6-3/8"	17"	6-7/8"	14-1/4"	11"	965	1715
W6101120	12"	7/8"	9-5/8"	7-3/8"	18-7/8"	7-7/8"	17"	13"	965	2750
W6101140	14"	1"	11-1/4"	8-3/8"	21-7/8"	9-1/4"	18-1/2"	14-1/4"	1200	3600
W6101160	16"	1"	12-1/4"	9-3/8"	24-1/8"	10-1/4"	20"	16-1/4"	1200	4945
W6101180	18"	1"	13-1/4"	10-1/2"	26-1/2"	11-1/4"	22"	18-1/4"	1400	5535
W6101200	20"	1"	14-1/4"	11-5/8"	28-1/8"	12-1/4"	24"	20-1/4"	1600	6335

ROLLERS & STRAPS

CHAIR TYPE ROLLER SUPPORT – SERIES W620

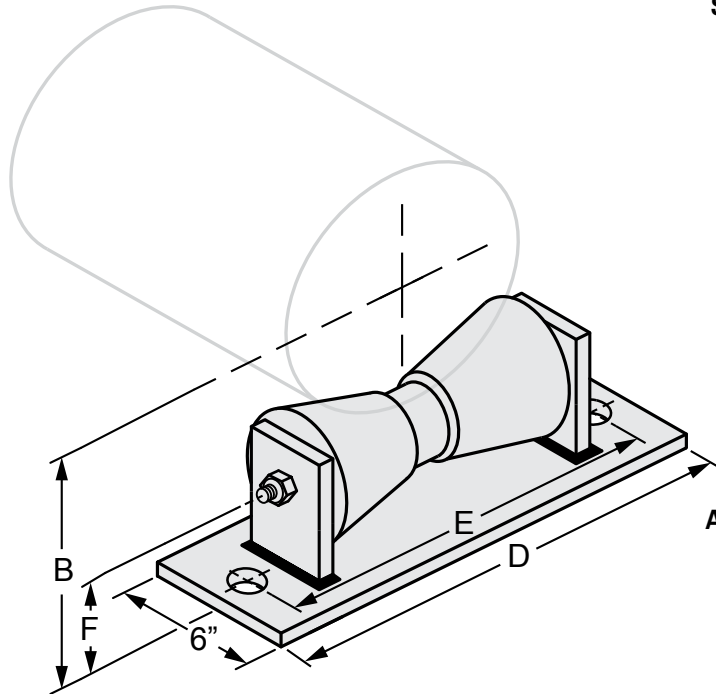


- Size Range:** 2" through 24" pipe size.
- Material:** Cast Iron Roller, Carbon Steel Chair and Hardware.
- Finish:** Plain.
- Ordering:** Specify rod size; pipe size; finish and series #.
- Function:** Pipe support designed for pipe lines where horizontal movement may take place due to expansion and contraction.

PART #	PIPE SIZE	SIZE (B)	SIZE (C)	SIZE (D)	THICKNESS (T)	SIZE (F)	MAXIMUM RECOMMENDED LOAD(lbs.)	LBS./100pcs
W620120	2"	1-5/8"	1-1/2"	3-7/8"	3 ga. x 1-1/4"	1-1/4"	390	106
W620124	2-1/2"	2"	1-5/8"	5"	3 ga. x 1-1/4"	1-1/4"	390	144
W620130	3"	2-1/4"	1-3/4"	5-3/8"	3 ga. x 1-1/4"	2"	390	163
W620134	3-1/2"	2-5/8"	2"	6-1/4"	3/8" x 1-1/2"	2"	390	252
W620140	4"	2-3/4"	2-1/4"	6-3/4"	3/8" x 1-1/2"	2"	950	288
W620150	5"	3-1/2"	2-1/2"	8"	3/8" x 1-1/2"	3"	950	400
W620160	6"	4"	2-3/4"	9-1/8"	3/8" x 2"	3-1/4"	950	625
W620180	8"	5-1/8"	3"	11-1/2"	3/8" x 2"	3-3/8"	1350	731
W6201100	10"	6-3/8"	3-5/8"	14-1/4"	1/2" x 2"	5-1/4"	1750	1158
W6201120	12"	7-1/2"	4-1/8"	16-1/4"	1/2" x 2"	5-1/2"	2400	1525
W6201140	14"	8-3/8"	4-5/8"	18"	1/2" x 2-1/2"	6-1/2"	3130	2807
W6201160	16"	9-1/2"	5-3/8"	20"	1/2" x 3"	8-1/4"	3970	3493
W6201180	18"	10-1/2"	6-5/8"	23"	1/2" x 3"	9-1/4"	2400	4435
W6201200	20"	11-5/8"	6-3/8"	26"	5/8" x 3"	10-3/8"	4550	5634
W6201240	24"	14"	9-1/4"	30"	3/4" x 4"	12-1/4"	6160	8752

ROLLER STAND

PIPE ROLLER STAND – SERIES W621



Size Range: 2" through 6" pipe size. Pipe roller sizes shown is for bare pipe.

Material: Cast iron pipe roller with low carbon steel stand and axle.

Finish: Plain.

Ordering: Specify pipe size; finish and series #.

Approvals: Complies with Federal Specifications A-A-1192A (Type 44) and Manufacturers' Standardization Society ANSI/SP-69 and SP-58 (Type 44).

Function: Designed to support pipe in applications where horizontal movement, due to expansion and contraction, will occur.

Available In: Electro-Galvanized.

PART #	PIPE SIZE	SIZE (A)	SIZE (B)	SIZE (D)	SIZE (E)	SIZE (F)	MAXIMUM RECOMMENDED LOAD(lbs.)	LBS./100pcs
W621120	2"	1"	3-1/2"	8-3/8"	6-3/8"	1-3/4"	390	448
W621124	2-1/2"	1"	3-7/8"	8-3/8"	6-3/8"	1-3/4"	390	448
W621130	3"	1"	4-1/8"	8-3/8"	6-3/8"	1-3/4"	390	448
W621134	3-1/2"	1"	4-3/8"	8-3/8"	6-3/8"	1-3/4"	390	448
W621140	4"	1"	4-13/16"	9-7/8"	7-7/8"	2-1/16"	950	685
W621150	5"	1"	5-7/16"	9-7/8"	7-7/8"	2-1/16"	950	685
W621160	6"	1"	6-1/16"	9-7/8"	7-7/8"	2-1/16"	950	685

All above roller stands are plain steel.
 To order other finishes, change the 5th character in the Part # as seen below:
 ELECTRO-GALVANIZED = 2
 Example: **W621,2,20** = ELECTRO-GALV
 2

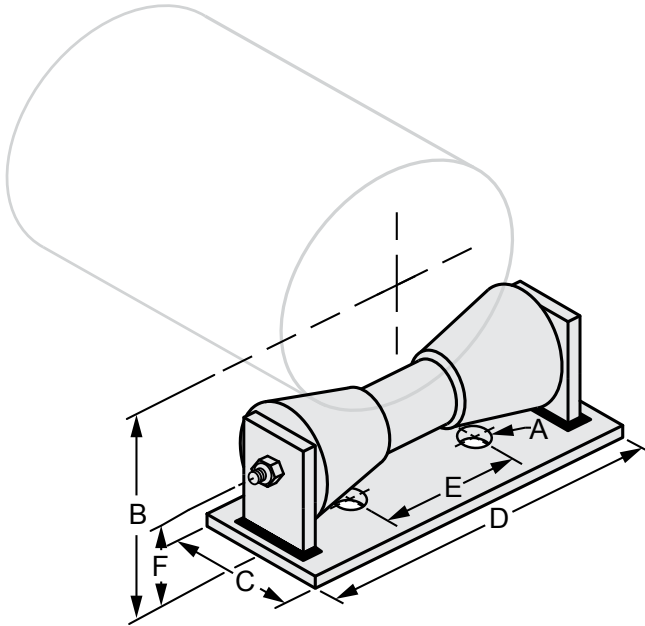
ROLLERS & STRAPS

ROLLER STAND

G-FORCE®

Section 7

PIPE ROLLER STAND – SERIES W622



- Size Range:** 8" through 42" pipe size. Pipe roller size shown is for bare pipe.
- Material:** Cast iron pipe roller with low carbon steel stand and axle.
- Finish:** Plain.
- Ordering:** Specify pipe size; finish and series #.
- Approvals:** Complies with Federal Specifications A-A-1192A (Type 44) and Manufacturers' Standardization Society ANSI/SP-69 and SP-58 (Type 44).
- Function:** Designed to support pipe in applications where horizontal movement, due to expansion and contraction, will occur.
- Available In:** Electro-Galvanized, 304 & 316 Stainless Steel.

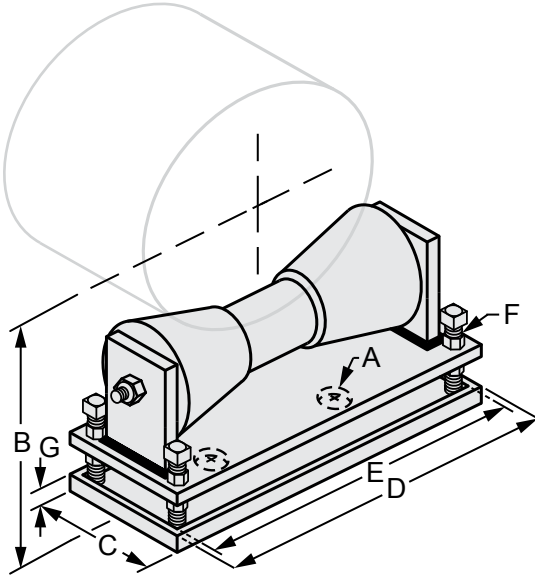
PART #	PIPE SIZE	SIZE (A)	SIZE (B)	SIZE (C)	SIZE (D)	SIZE (E)	SIZE (F)	MAXIMUM RECOMMENDED LOAD(lbs.)	LBS./100pcs
W622180	8"	1"	8-11/16"	7"	8-5/8"	4-1/8"	3-7/16"	2100	1409
W6221100	10"	1"	9-13/16"	7"	8-5/8"	4-1/8"	3-7/16"	2100	1409
W6221120	12"	1"	11-3/8"	8"	10-7/8"	5-13/16"	3-7/8"	3075	2209
W6221140	14"	1"	12"	8"	10-7/8"	5-13/16"	3-7/8"	3075	2209
W6221160	16"	1"	13-5/8"	9"	12-1/2"	6-7/8"	4-1/4"	4980	3200
W6221180	18"	1"	14-5/8"	9"	12-1/2"	6-7/8"	4-1/4"	4980	3200
W6221200	20"	1"	15-5/8"	9"	12-1/2"	6-7/8"	4-1/4"	4980	3200
W6221240	24"	1"	17-3/4"	9"	13-1/2"	7-5/8"	4-3/8"	6100	4143
W6221300	30"	1"	21-7/8"	12"	17"	10"	5-1/8"	7500	8000
W6221360	36"	1"	25-3/4"	12"	20"	12"	5-3/4"	12000	12500
W6221420	42"	1"	28-7/8"	12"	20"	12"	5-3/4"	12000	12500

All above roller stands are plain steel.
 To order other finishes, change the 5th character in the Part # as seen below:
 STAINLESS STEEL (304) = 8
 STAINLESS STEEL (316) = 0
 ELECTRO-GALVANIZED = 2
 Example: **W622, 2 80** = ELECTRO-GALV
 2

ROLLERS & STRAPS

ROLLER STAND

ADJUSTABLE PIPE ROLLER STAND w/ BASE – SERIES W623



Size Range: 2" through 42" pipe size. Pipe roller size shown is for bare pipe.

Material: Cast iron pipe roller with low carbon steel stand, axle and adjusting screws with locknuts.

Finish: Plain.

Ordering: Specify pipe size; finish and series #.

Approvals: Complies with Federal Specifications A-A-1192A (Type 46) and Manufacturers' Standardization Society ANSI/SP-69 and SP-58 (Type 46).

Function: Designed to support pipe in applications where horizontal movement, due to expansion and contraction, will occur and vertical adjustment is required.

Available In: Electro-Galvanized, 304 & 316 Stainless Steel.

All above roller stands are plain steel. To order other finishes, change the 5th character in the Part # as seen below:

STAINLESS STEEL (304) = 8
 STAINLESS STEEL (316) = 0
 ELECTRO-GALVANIZED = 2

Example: **W623 120** = ELECTRO-GALV
 2

PART #	PIPE SIZE	SIZE (A)	SIZE (B)		SIZE (C)	SIZE (D)	SIZE (E)	BOLT SIZE (F)	SIZE (G)	MAXIMUM RECOMMENDED LOAD(lbs.)	LBS./100pcs
			MIN.	MAX.							
W623120	2"	1"	5-1/8"	5-3/8"	5-1/2"	7"	3-7/8"	5/8"	1"	390	1203
W623124	2-1/2"	1"	5-3/8"	5-5/8"	5-1/2"	7"	3-7/8"	5/8"	1"	390	1203
W623130	3"	1"	5-3/4"	6"	5-1/2"	7"	3-7/8"	5/8"	1"	390	1203
W623134	3-1/2"	1"	6"	6-1/4"	5-1/2"	7"	3-7/8"	5/8"	1"	390	1203
W623140	4"	1"	6-1/2"	7"	5-3/4"	8-3/8"	5-1/8"	5/8"	1"	950	1524
W623150	5"	1"	7"	7-1/2"	5-3/4"	8-3/8"	5-1/8"	5/8"	1"	950	1524
W623160	6"	1"	7-5/8"	8-1/8"	5-3/4"	8-3/8"	5-1/8"	5/8"	1"	950	1524
W623180	8"	1"	10-3/8"	11-5/8"	6-3/4"	10-3/4"	7-3/8"	3/4"	1-1/8"	2100	3059
W6231110	10"	1"	11-1/2"	12-3/4"	6-3/4"	10-3/4"	7-3/8"	3/4"	1-1/8"	2100	3059
W6231120	12"	1"	13"	14-1/4"	8"	13-1/8"	9-1/2"	7/8"	1-3/8"	3075	4496
W6231140	14"	1"	13-5/8"	14-7/8"	8"	13-1/8"	9-1/2"	7/8"	1-3/8"	3075	4496
W6231160	16"	1"	15-1/4"	16-5/8"	8-5/8"	14-1/2"	11-1/8"	1"	1-3/8"	4980	6410
W6231180	18"	1"	16-3/8"	17-3/4"	8-5/8"	14-1/2"	11-1/8"	1"	1-3/8"	4980	6410
W6231200	20"	1"	17-3/8"	18-3/4"	8-5/8"	14-1/2"	11-1/8"	1"	1-3/8"	4980	6410
W6231240	24"	1"	19-5/8"	21"	8-5/8"	16"	12-1/4"	1"	1-3/8"	6100	7668
W6231300	30"	1"	24"	26-3/4"	10-1/2"	19-5/8"	15-3/4"	1-1/4"	1-5/8"	7500	14225
W6231360	36"	1"	13-3/16"	29-3/16"	11-1/2"	22"	16"	1-1/2"	1-5/8"	12000	15623
W6231420	42"	1"	29-1/4"	32-1/4"	11-1/2"	22"	16"	1-1/2"	1-5/8"	12000	15623

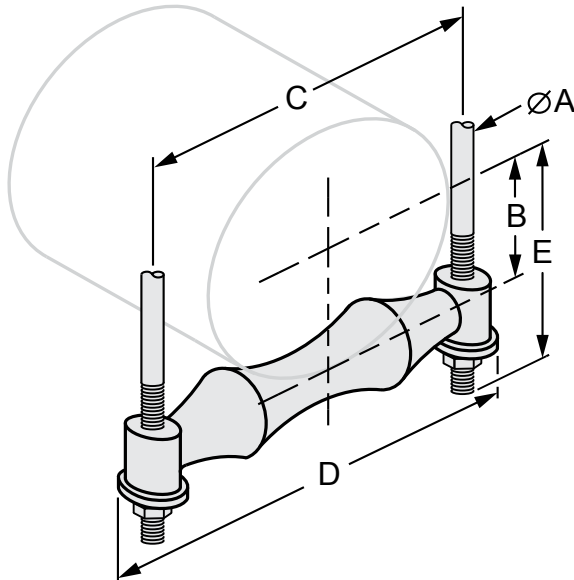
ROLLERS & STRAPS

ROLLER HANGER

G-FORCE®

Section 7

TWO ROD TYPE ROLLER HANGER – SERIES W630



Size Range: 2" through 30" pipe size.

Material: Cast Iron Roller and sockets, Carbon Steel Hardware.

Finish: Plain.

Ordering: Specify rod size; pipe size; finish and series #.

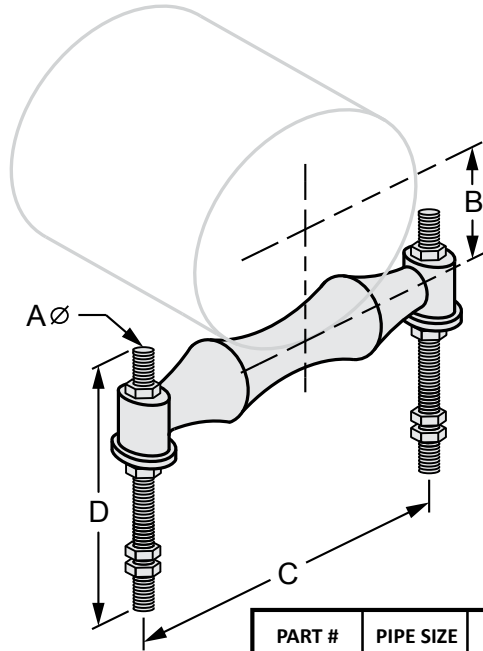
Function: Pipe support designed for the pipe lines where horizontal movement may take place due to expansion and contraction.

PART #	PIPE SIZE	SIZE (A)	SIZE (B)	SIZE (C)	SIZE (D)	SIZE (E)	MAXIMUM RECOMMENDED LOAD(lbs.)	LBS./100pcs
W630120	2"	3/8"	1-5/8"	4-1/8"	5-1/4"	3-1/8"	600	57
W630124	2-1/2"	1/2"	2"	4-7/8"	6-1/4"	3-5/8"	660	100
W630130	3"	1/2"	2-1/4"	5-1/2"	6-7/8"	4"	700	110
W630134	3-1/2"	1/2"	2-1/2"	6-1/8"	7-1/2"	4-1/8"	750	135
W630140	4"	1/2"	2-3/4"	6-3/4"	8-1/4"	4-3/4"	750	165
W630150	5"	5/8"	3-1/2"	8"	9-5/8"	5-1/2"	750	257
W630160	6"	3/4"	4"	9-1/2"	11-1/2"	6-1/2"	1070	445
W630180	8"	7/8"	5-1/8"	12"	14"	8"	1350	715
W6301100	10"	7/8"	6-3/8"	14"	16-1/8"	9-1/4"	1730	950
W6301120	12"	7/8"	7-1/2"	16-1/4"	18"	10-1/2"	2400	1590
W6301140	14"	1"	8-3/8"	17-3/4"	20-1/8"	12-1/8"	3130	2425
W6301160	16"	1"	9-1/2"	19-3/4"	22-1/8"	13"	3970	3185
W6301180	18"	1"	10-1/2"	21-7/8"	24-1/2"	14-1/4"	4200	3550
W6301200	20"	1-1/4"	11-5/8"	24-1/4"	27-1/2"	15-3/4"	4500	4700
W6301240	24"	1-1/2"	14"	28-5/8"	32-1/8"	18-3/4"	6160	7630
W6301300	30"	1-1/2"	17-1/2"	35-1/2"	39"	22-7/8"	7290	12990

ROLLERS & STRAPS

ROLLER SUPPORT

ADJUSTABLE TYPE ROLLER SUPPORT – SERIES W640

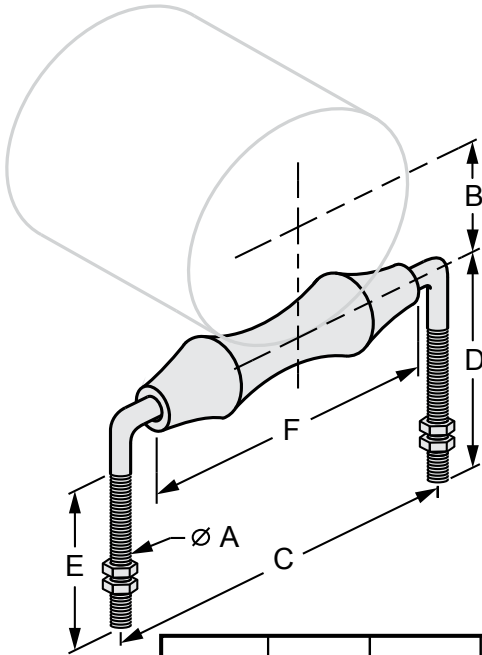


- Size Range:** 2" through 30" pipe size.
- Material:** Cast Iron Roller and sockets, Carbon Steel Hardware.
- Finish:** Plain.
- Ordering:** Specify rod size; pipe size; finish and series #.
- Function:** Used to support piping subject to horizontal movement and where vertical adjustment up to 6" may be necessary.

PART #	PIPE SIZE	SIZE (A)	SIZE (B)	SIZE (C)	SIZE (D)	LBS./100pcs
W640120	2"	3/8"	1-1/2"	4-1/8"	12"	132
W640124	2-1/2"	1/2"	1-7/8"	4-7/8"	12"	230
W640130	3"	1/2"	2-1/4"	5-1/2"	12"	252
W640134	3-1/2"	1/2"	2-1/2"	6-1/8"	12"	261
W640140	4"	1/2"	2-3/4"	6-3/4"	12"	388
W640150	5"	5/8"	3-1/2"	8"	12"	475
W640160	6"	3/4"	4"	9-1/2"	12"	765
W640180	8"	7/8"	5-1/8"	12"	12"	1293
W6401100	10"	7/8"	6-3/8"	14"	12"	1384
W6401120	12"	7/8"	7-1/4"	16-1/4"	12"	2056
W6401140	14"	1"	8-1/2"	17-3/4"	12"	2785
W6401160	16"	1"	9-1/2"	19-3/4"	18"	4305
W6401180	18"	1"	10-1/2"	21-7/8"	18"	4970
W6401200	20"	1-1/4"	11-5/8"	24-1/4"	18"	6540
W6401240	24"	1-1/2"	14"	28-5/8"	24"	11150
W6401300	30"	1-1/2"	17-1/2"	35-1/2"	24"	20880

ROLLERS & STRAPS

ADJUSTABLE PIPE ROLLER SUPPORT – SERIES W641



Size Range: 2" through 16" pipe size. Pipe roller size shown is for bare pipe. For proper sizing with insulation, consult the factory.

Material: Cast iron pipe roller with low carbon steel rod with four hex nuts.

Finish: Plain.

Ordering: Specify rod size; pipe size; finish and series #.

Function: Designed to support piping in applications where horizontal movement, due to expansion and contraction, will occur and a vertical adjustment is required. The roller assembly is attached by means of the threaded support rods and locked in place after correct alignment with the hex nuts provided.

Available In: Pre-Galvanized.

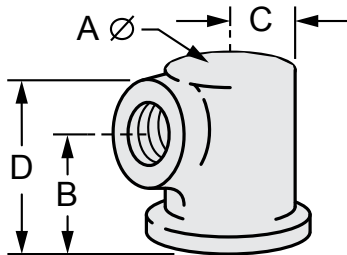
PART #	PIPE SIZE	SIZE (A)	SIZE (B)	SIZE (C)	SIZE (D)	SIZE (E)	SIZE (F)	MAXIMUM RECOMMENDED LOAD(lbs.)	LBS./100pcs
W641120	2"	3/8"	1-5/8"	4-1/2"	4-1/2"	2-3/4"	2-7/8"	450	.56
W641124	2-1/2"	1/2"	2"	4-3/8"	4-1/2"	3-1/2"	3-1/8"	450	.93
W641130	3"	1/2"	2-1/4"	5-1/8"	4-1/2"	3-1/2"	3-3/4"	450	1.01
W641134	3-1/2"	1/2"	2-5/8"	5-7/8"	4-1/2"	3-1/2"	4-1/4"	450	1.26
W641140	4"	1/2"	2-3/4"	6-3/4"	4-1/2"	3-1/2"	4-3/4"	560	1.32
W641150	5"	5/8"	3-1/2"	7-1/2"	4-1/2"	3-1/2"	5-3/4"	560	2.39
W641160	6"	3/4"	4"	8-1/2"	4-1/2"	3-1/2"	6-7/8"	780	3.56
W641180	8"	7/8"	5-1/8"	11"	5-1/4"	4"	8-7/8"	1800	5.88
W6411100	10"	7/8"	6-3/8"	13-1/2"	5-1/4"	4"	11"	1800	9.23
W6411120	12"	1"	7-1/2"	15-1/4"	6"	5"	13"	1800	12.97
W6411140	14"	1-1/8"	8-3/8"	17-1/2"	7"	5-1/2"	14-3/8"	3075	22.46
W6411160	16"	1-1/4"	9-1/2"	20"	8"	6"	16-3/8"	3075	28.35

All above roller support are plain steel.
 To order other finishes, change the 5th character in the Part # as seen below:
 PRE-GALVANIZED = 4
 Example: **W641,120** = PRE-GALV
4

ROLLERS & STRAPS

ROLLER SOCKET

ROLLER SOCKET – SERIES W642



Material: Cast iron.

Finish: Plain.

Ordering: Specify type #; pipe size; finish and series #.

Function: Designed for use with Series W600.

Available In: Pre-Galvanized.

PART #	TYPE NUMBER	USE WITH PIPE ROLLER SIZE	AXLE SIZE	SIZE (A)	SIZE (B)	SIZE (C)	SIZE (D)	LBS./100pcs
W642110	1	1" to 2"	3/8"	3/8"	5/8"	11/16"	1"	12
W642120	2	2-1/2" to 3-1/2"	1/2"	1/2"	3/4"	11/16"	1-1/4"	27
W642130	3	4"	1/2"	5/8"	7/8"	13/16"	1-1/4"	25
W642140	4	5"	5/8"	5/8"	1"	1"	1-9/16"	53
W642150	5	6"	3/4"	3/4"	1-1/4"	1-1/8"	1-13/16"	92
W642160	6	8" to 10"	7/8"	7/8"	1-1/4"	1-1/8"	2-1/8"	14.4
W642170	7	12"	1"	7/8"	1-3/8"	1-3/8"	2-1/4"	13.4
W642180	8	14"	1-1/8"	1"	1-3/4"	1-3/8"	2-3/8"	20.3
W642190	9	16" to 20"	1-1/4"	1-1/4"	1-13/16"	1-5/8"	3"	25.6
W6421100	10	24"	1-1/2"	1-1/2"	2-3/16"	2-1/16"	3-3/8"	49.6
W6421110	11	30"	1-3/4"	1-1/2"	2-9/16"	2-5/16"	4"	69.4

All above roller sockets are plain steel.
To order other finishes, change the 5th character in the Part # as seen below:

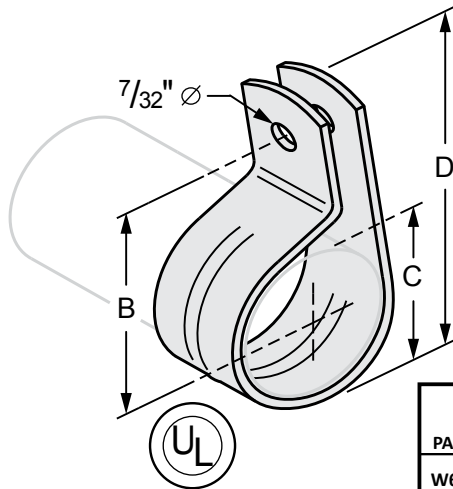
PRE-GALVANIZED = 4

Example: **W642110** = PRE-GALV

4

ROLLERS & STRAPS

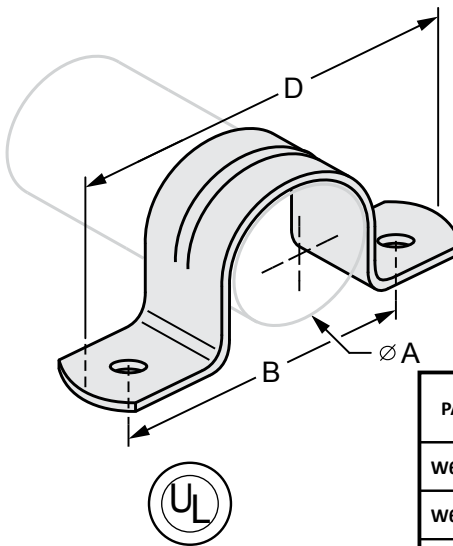
CPVC ONE-HOLE WRAP AROUND STRAP – SERIES W650



- Size Range:** 3/4" through 2" pipe size.
- Material:** Pre-Galvanized Carbon Steel G-90.
- Finish:** Pre-Galvanized
- Ordering:** Specify pipe size; finish and series #.
- Approvals:** Underwriter's Laboratories approved for the support of CPVC piping.
- Function:** Design to support or restraint when installed with the tabs in the up or down position. It may also be used on top of a beam as a guide. It is not recommended for use underneath a beam as a ceiling type hanger.

PART #	PIPE SIZE	SIZE (B)	SIZE (C)	SIZE (D)	MATERIAL	CARTON QTY.	LBS./100pcs
W650206	3/4"	1-1/2"	1.050	2-1/2"	20 ga. x 1-1/8"	100	9
W650210	1"	1-5/8"	1.313	2-7/8"	20 ga. x 1-1/8"	100	10
W650212	1-1/4"	1-3/4"	1.660	3"	20 ga. x 1-1/8"	100	12
W650214	1-1/2"	1-7/8"	1.900	3-3/8"	20 ga. x 1-1/8"	100	12
W650220	2"	2"	2.375	3-3/4"	20 ga. x 1-1/8"	100	15

TWO-HOLE CPVC STRAP – SERIES W660



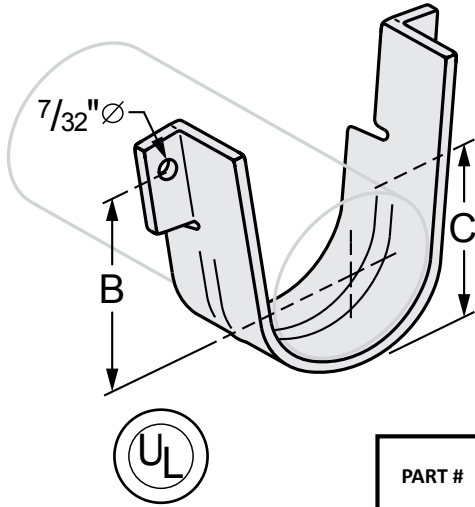
- Size Range:** 3/4" through 2" pipe size.
- Material:** Pre-Galvanized Carbon Steel G-90.
- Finish:** Pre-Galvanized
- Ordering:** Specify pipe size; finish and series #.
- Approvals:** Underwriter's Laboratories approved for the support of CPVC piping.
- Function:** Design to support or restraint when installed with the tabs in the up or down position. It may also be used on top of a beam as a guide. Not recommended for use underneath a beam as a ceiling type hanger.

PART #	PIPE SIZE	SIZE (A)	SIZE(B)	SIZE (D)	MATERIAL	CARTON QTY.	LBS./100pcs
W660206	3/4"	1.050	2.400	3.310	20 ga. x 1-1/8"	100	9
W660210	1"	1.313	2.640	3.550	20 ga. x 1-1/8"	100	10
W660212	1-1/4"	1.660	3.010	3.925	20 ga. x 1-1/8"	100	12
W660214	1-1/2"	1.900	3.265	4.185	20 ga. x 1-1/8"	100	12
W660220	2"	2.375	3.665	4.575	20 ga. x 1-1/8"	100	15

ROLLERS & STRAPS

CPVC STRAPS

CPVC TWO-HOLE 90 DEGREE SIDE MOUNT STRAP – SERIES W680



- Size Range:** 3/4" through 2" pipe size.
- Material:** Pre-Galvanized Carbon Steel G-90.
- Finish:** Pre-Galvanized
- Ordering:** Specify pipe size; finish and series #.
- Approvals:** Underwriter's Laboratories approved for the support of CPVC piping.
- Function:** Design to support or restraint pipe from either a top or bottom beam installation. It can also help restrain an upward movement of the sprinkler head once activated.

PART #	PIPE SIZE	SIZE (B)	SIZE (C)	SIZE (D)	MATERIAL	CARTON QTY.	LBS./ 100pcs
W680206	3/4"	1-1/2"	1.050	2-1/2"	20 ga. x 1-1/8"	100	9
W680210	1"	1-1/2"	1.313	2-7/8"	20 ga. x 1-1/8"	100	10
W680212	1-1/4"	1-3/4"	1.660	3"	20 ga. x 1-1/8"	100	11
W680214	1-1/2"	1-7/8"	1.900	3-3/8"	20 ga. x 1-1/8"	100	12
W680220	2"	2"	2.375	3-3/4"	20 ga. x 1-1/8"	100	13

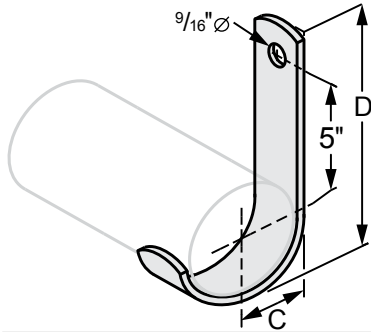
ROLLERS & STRAPS

J-HOOK

G-FORCE®

Section 7

RETURN LINE STRAIGHT J-HOOK – SERIES W651

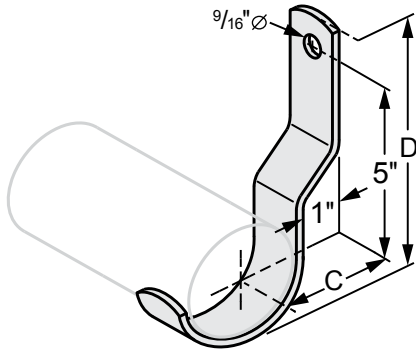


- Size Range:** 1/2" through 6" pipe size.
Material: Low Carbon Steel.
Finish: Plain.
Ordering: Specify pipe size; finish and series #.
Function: Design to support pipe running along the wall, in applications where clearance between the wall is not desired.
Available In: Electro-Galvanized, 304 & 316 Stainless Steel.

PART #	PIPE SIZE	SIZE (C)	SIZE (D)	MAXIMUM RECOMMENDED LOAD(lbs.)	LBS./100pcs
W651104	1/2"	5/8"	6-9/32"	200	51
W651106	3/4"	11/16"	6-1/8"	200	53
W651110	1"	7/8"	6-9/16"	200	80
W651112	1-1/4"	1-1/16"	6-5/8"	200	83
W651114	1-1/2"	1-3/16"	6-11/16"	200	87
W651120	2"	1-5/8"	7-3/32"	200	93

PART #	PIPE SIZE	SIZE (C)	SIZE (D)	MAXIMUM RECOMMENDED LOAD(lbs.)	LBS./100pcs
W651124	2-1/2"	1-11/16"	7-15/32"	350	116
W651130	3"	2"	7-5/8"	350	127
W651134	3-1/2"	2-1/4"	8-1/32"	350	137
W651140	4"	2-5/8"	8-9/16"	450	219
W651150	5"	3-3/16"	9"	450	350
W651160	6"	3-11/16"	9-3/8"	450	415

RETURN LINE OFFSET J-HOOK – SERIES W652



- Size Range:** 1/2" through 6" pipe size.
Material: Low Carbon Steel.
Finish: Plain.
Ordering: Specify pipe size; finish and series #.
Function: Design to support pipe running along the wall, in applications where clearance between the wall is desired.
Available In: Electro-Galvanized, 304 & 316 Stainless Steel.

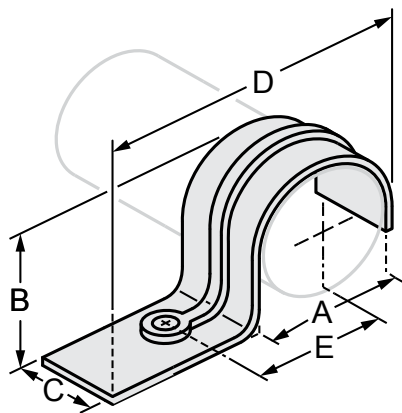
PART #	PIPE SIZE	SIZE (C)	SIZE (D)	MAXIMUM RECOMMENDED LOAD(lbs.)	LBS./100pcs
W652104	1/2"	1-5/8"	6-9/32"	200	53
W652106	3/4"	1-11/16"	6-1/8"	200	55
W652110	1"	1-7/8"	6-9/16"	200	81
W652112	1-1/4"	2-1/16"	6-5/8"	200	84
W652114	1-1/2"	2-3/16"	6-11/16"	200	89
W652120	2"	2-5/8"	7-3/32"	200	96

PART #	PIPE SIZE	SIZE (C)	SIZE (D)	MAXIMUM RECOMMENDED LOAD(lbs.)	LBS./100pcs
W652124	2-1/2"	2-11/16"	7-15/32"	350	126
W652130	3"	3"	7-5/8"	350	138
W652134	3-1/2"	3-1/4"	8-1/32"	350	147
W652140	4"	3-5/8"	8-9/16"	450	239
W652150	5"	4-3/16"	9"	450	390
W652160	6"	4-11/16"	9-3/8"	450	425

ROLLERS & STRAPS

STRAPS

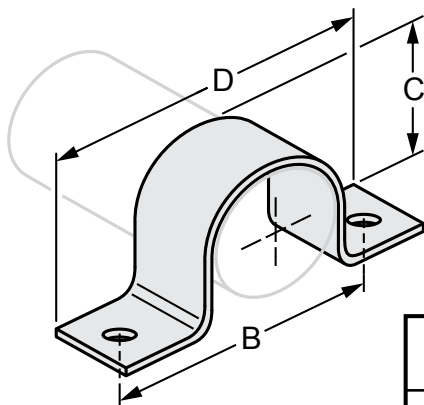
ONE-HOLE CLIP – SERIES W655



- Material:** Carbon Steel.
- Finish:** Electro-Galvanized Zinc.
- Ordering:** Specify rod size; length, finish and series #.
- Function:** Design to eliminate possible movement of the beam clamp due to vibration.

PART #	PIPE SIZE	SIZE (A)	SIZE(B)	SIZE (C)	SIZE(D)	SIZE(E)
W655104	1/2"	5/8"	5/8"	3/4"	1-3/4"	3/4"
W655106	3/4"	7/8"	7/8"	3/4"	2-1/8"	1"
W655110	1"	1-1/8"	1-1/8"	7/8"	2-5/8"	1-1/4"
W655112	1-1/4"	1-1/2"	1-1/2"	7/8"	3-1/4"	1-5/8"
W655114	1-1/2"	1-3/4"	1-3/4"	1-1/4"	3-3/4"	1-5/8"
W655120	2"	2-1/8"	2-1/8"	1-1/2"	4-1/8"	2"

TWO-HOLE STRAP – SERIES W665



- Size Range:** 3/8" through 2" pipe size.
- Material:** Low Carbon Steel.
- Finish:** Electro-Galvanized
- Ordering:** Specify pipe size and series #.
- Function:** Design to hold pipe flush with the mounting surface.

PART #	PIPE SIZE	SIZE (B)	SIZE(C)	SIZE (D)	LBS./100pcs
W665203	3/8"	2-3/8"	1-5/8"	5/8"	3
W665204	1/2"	2-5/8"	1-7/8"	7/8"	4
W665206	3/4"	2-3/4"	2"	1-1/8"	5
W665210	1"	3-3/8"	2-5/8"	1-1/4"	6
W665212	1-1/4"	4-1/4"	3-1/4"	1-5/8"	8
W665214	1-1/2"	4-1/2"	3-1/2"	1-7/8"	10
W665220	2"	5-1/2"	4-1/8"	2-3/8"	13

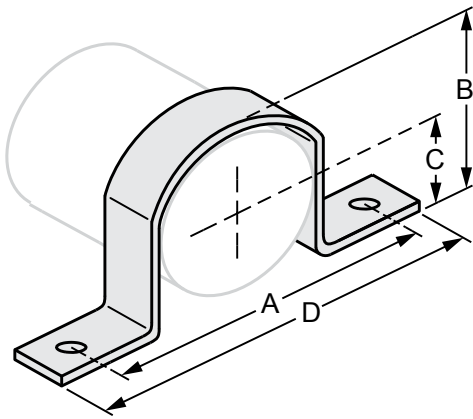
ROLLERS & STRAPS

SHORT PIPE STRAP

G-FORCE®

Section 7

SHORT PIPE STRAP – SERIES W670

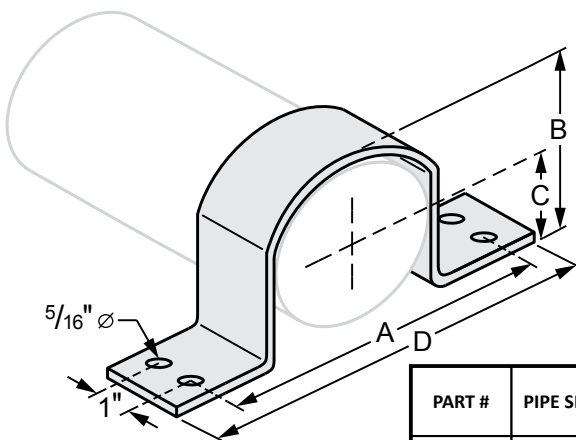


- Size Range:** 1/2" through 2" pipe size.
Material: Low Carbon Steel.
Finish: Plain.
Ordering: Specify rod size; pipe size; finish and series #.
Approvals: Complies with Federal Specifications A-A-1192A (Type 26) and Manufactures' Standardization Society SP-69 (Type 26).
Function: Designed for holding piping flush with the adjacent surface. Sizes 1/2" to 2" are furnished with two screw holes, use W670 Series. Sizes 2-1/2" to 4" are furnished with four screw holes, use W671 Series.
Available In: 304 & 316 Stainless Steel.

All beam clamps are plain steel.
 To order other finishes, change the 5th character in the Part # as seen below:
 STAINLESS STEEL (304) = 8
 STAINLESS STEEL (316) = 0
 Example: **W670, 8 04** = STAINLESS STEEL
8

PART #	PIPE SIZE	SIZE (A)	SIZE (B)	SIZE (C)	SIZE (D)	MATERIAL	CARTON QTY.	LBS./ 100pcs
W670104	1/2"	2-7/8"	15/16"	15/16"	3-7/8"	11 ga. x 1-1/4"	50	25
W670106	3/4"	3"	1-1/8"	7/16"	4"	11 ga. x 1-1/4"	50	27
W670110	1"	3-1/4"	1-3/8"	9/16"	4-1/4"	11 ga. x 1-1/4"	50	29
W670112	1-1/4"	3-5/8"	1-5/8"	11/16"	4-5/8"	11 ga. x 1-1/4"	25	33
W670114	1-1/2"	4"	2"	13/16"	5"	11 ga. x 1-1/4"	25	35
W670120	2"	4-1/2"	2-1/4"	15/16"	5-1/2"	11 ga. x 1-1/4"	25	41

SHORT PIPE STRAP – SERIES W671



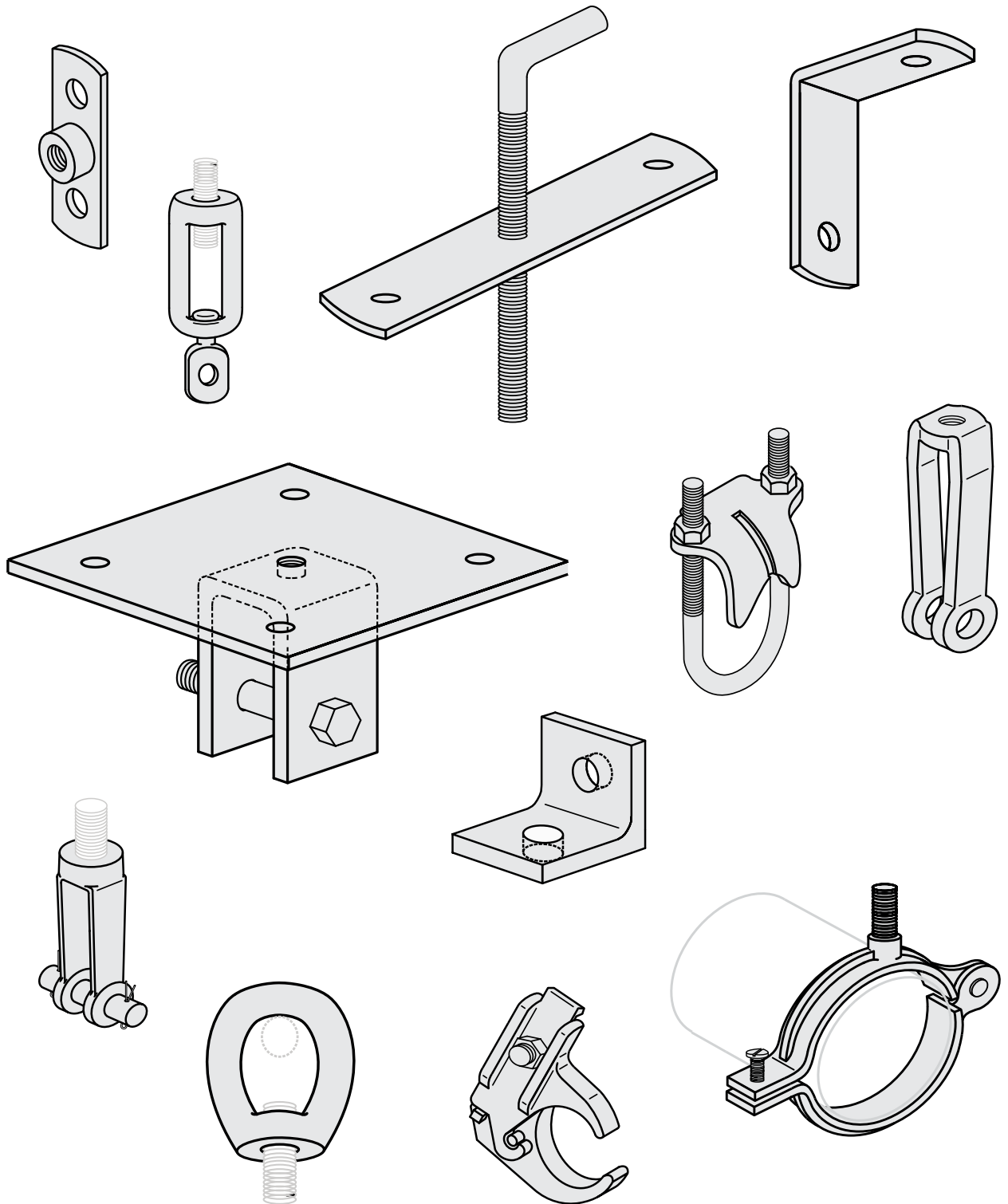
- Size Range:** 2-1/2" through 4" pipe size.
Material: Low Carbon Steel.
Finish: Plain.
Ordering: Specify rod size; pipe size; finish and series #.
Approvals: Complies with Federal Specifications A-A-1192A (Type 26) and Manufactures' Standardization Society SP-69 (Type 26).
Function: Designed for holding piping flush with the adjacent surface. Sizes 1/2" to 2" are furnished with two screw holes, use W670 Series. Sizes 2-1/2" to 4" are furnished with four screw holes, use W671 Series.

PART #	PIPE SIZE	SIZE (A)	SIZE (B)	SIZE (C)	SIZE (D)	MATERIAL	CARTON QTY.	LBS./ 100pcs
W671124	2-1/2"	5"	2-7/8"	1-1/8"	6"	3 ga. x 1-1/4"	25	89
W671130	3"	5-5/8"	3-1/2"	1-1/2"	6-5/8"	3 ga. x 1-1/4"	25	106
W671130	3-1/2"	6-1/8"	4"	1-3/4"	7-1/8"	3 ga. x 1-1/4"	25	123
W671140	4"	7-1/8"	4-1/2"	2"	8-3/8"	3 ga. x 1-1/2"	25	158

ROLLERS & STRAPS

SECTION 8

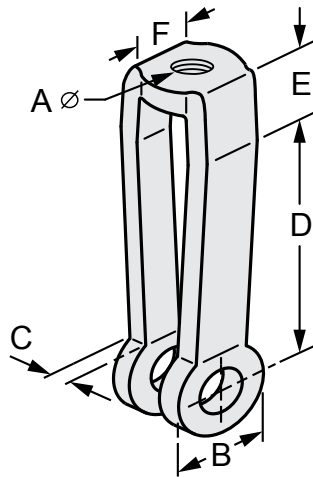
G-FORCE® CLEVIS HANGER ACCESSORIES



CLEVIS HANGER
ACCESSORIES

FORGED STEEL CLEVIS

FORGED STEEL CLEVIS – SERIES W700



- Size Range:** 3/8" through 2-1/2" pipe size.
- Material:** C - 1035 Forged Steel.
- Finish:** Plain
- Ordering:** Specify rod size; pin size; finish and series #.
- Approvals:** Complies with Manufacturers Standardization Society SP-69 (Type 14).
- Function:** Recommended as an adjustable hanger rod connection for piping and installations.

PART #	TAP SIZE (A)	PIPE SIZE	PIN SIZE	SIZE (B)	SIZE (C)	SIZE (D)	SIZE (E)	SIZE (F)	MAXIMUM RECOMMENDED LOAD(lbs.)	LBS./100pcs
W700103	3/8"	2"	1/2"	1-1/2"	5/16"	3-1/2"	5/8"	1"	3500	100
W700104	1/2"	2"	5/8"	1-1/2"	5/16"	3-1/2"	5/8"	1"	3500	100
W700105	5/8"	2"	3/4"	1-1/2"	5/16"	3-1/2"	5/8"	1"	3500	100
W700106	3/4"	2-1/2"	7/8"	2-1/2"	5/16"	4"	1-1/8"	1-1/4"	7500	250
W700107	7/8"	2-1/2"	1"	2-1/2"	5/16"	4"	1-1/8"	1-1/4"	7500	250
W700110	1"	3"	1-1/8"	3"	1/2"	5"	1-1/4"	1-1/2"	15000	400
W700112	1-1/4"	3"	1-3/8"	3"	1/2"	5"	1-1/4"	1-1/2"	15000	400
W700114	1-1/2"	3-1/2"	1-5/8"	3-1/2"	1/2"	6"	1-1/2"	1-3/4"	18000	600
W700116	1-3/4"	4"	1-7/8"	4"	1/2"	6"	1-3/4"	2"	21000	800
W700120	2"	5"	2-1/4"	5"	5/8"	7"	2-1/4"	2-1/2"	37500	1600
W700122	2-1/4"	6"	2-1/2"	6"	3/4"	8"	2-3/4"	3"	54000	2600
W700124	2-1/2"	6"	2-3/4"	6"	3/4"	8"	2-3/4"	3"	54000	2600

CLEVIS HANGER ACCESSORIES

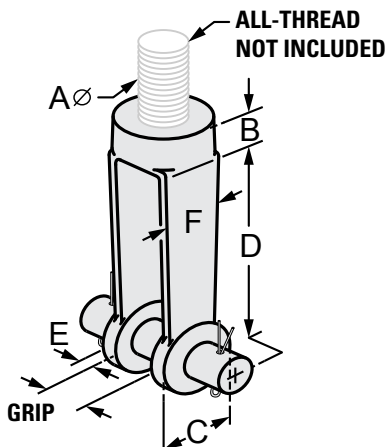
FORGED STEEL CLEVIS

G-FORCE®

Section 8

FORGED STEEL CLEVIS – SERIES W701

-RIGHT HAND THREADS-



Size Range: 3/8" through 3" rod size.

Material: Forged Steel.

Finish: Plain

Ordering: Specify rod size; with or without pin; finish and series #.

Approvals: Complies with Federal Specification A-A-1192A (Type 14) and Manufacturers Standardization Society ANSI/SP-69 and SP-58 (Type 14).

Function: Designed for use as a convenient method of connecting hanger rods to pipe lugs, angles, ect. As a structural attachment it is most commonly used in conjunction with Series W738 long welding lug.

Available In: Electro-Galvanized

PART #	ROD SIZE (A)	PIN SIZE	GRIP SIZE	SIZE (B)	SIZE (C)	SIZE (D)	SIZE (E)	SIZE (F)	MAXIMUM REC. LOAD(lbs.)		WT. PER IN. (lbs) W/O PIN	WITH PIN
									650 F	750 F		
W701103	3/8"	1/2"	1/2"	5/8"	1-1/2"	3-5/8"	5/16"	1-1/16"	730	540	.9	1
W701104	1/2"	5/8"	1/2"	5/8"	1-1/2"	3-5/8"	5/16"	1-1/16"	1350	1010	.7	.9
W701105	5/8"	3/4"	5/8"	5/8"	1-1/2"	3-5/8"	5/16"	1-1/16"	1810	1610	.7	.9
W701106	3/4"	7/8"	3/4"	7/8"	2"	5"	3/8"	1-1/4"	2710	2420	2.5	3
W701107	7/8"	1"	7/8"	7/8"	2"	5"	3/8"	1-1/4"	3770	3360	2.5	3.4
W701110	1"	1-1/8"	1"	1-5/16"	3"	5"	1/2"	1-1/2"	4960	4420	4	5.1
W701112	1-1/4"	1-3/8"	1-1/4"	1-5/16"	3"	5"	1/2"	1-1/2"	8000	7140	3.8	5.5
W701114	1-1/2"	1-5/8"	1-1/2"	1-5/8"	3-1/2"	6"	1/2"	1-3/4"	11630	10370	6	8.5
W701116	1-3/4"	1-7/8"	1-1/2"	1-3/4"	4"	6"	1/2"	2"	15700	14000	8	12.9
W701120	2"	2-1/4"	2-1/2"	2-1/4"	5"	7"	5/8"	2-1/2"	20700	18460	16	23.3
W701122	2-1/4"	2-1/2"	2-1/2"	2-3/4"	6"	8"	3/4"	3"	27200	24260	26	35.1
W701124	2-1/2"	2-3/4"	2-1/2"	2-3/4"	6"	8"	3/4"	3"	33500	29880	25	36
W701126	2-3/4"	3"	2-1/2"	3"	7"	8"	7/8"	3-1/2"	41580	37066	36	50
W701130	3"	3-1/4"	2-1/2"	3"	7"	9"	7/8"	3-1/2"	50580	45085	35	51.5

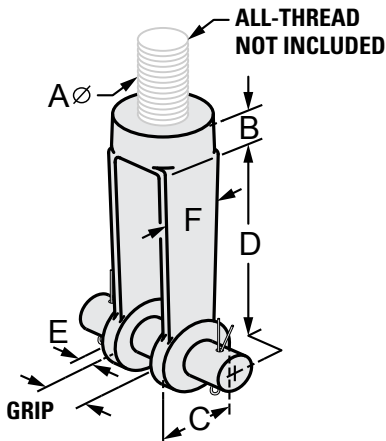
All above steel clevis are plain steel.
 To order other finishes, change the 5th character in the Part # as seen below:
 ELECTRO-GALVANIZED = 2
 Example: **W701103** = ELECTRO-GALV
2

CLEVIS HANGER ACCESSORIES

FORGED STEEL CLEVIS

FORGED STEEL CLEVIS – SERIES W702

-LEFT HAND THREADS-



Size Range: 3/8" through 3" rod size.

Material: Forged Steel.

Finish: Plain

Ordering: Specify rod size; with or without pin; finish and series #.

Approvals: Complies with Federal Specification A-A-1192A (Type 14) and Manufacturers Standardization Society ANSI/SP-69 & SP-58 (Type 14).

Function: Designed for use as a convenient method of connecting hanger rods to pipe lugs, angles, ect. As a structural attachment it is most commonly used in conjunction with Series W738 long welding lug.

Available In: Electro-Galvanized

PART #	ROD SIZE (A)	PIN SIZE	GRIP SIZE	SIZE (B)	SIZE (C)	SIZE (D)	SIZE (E)	SIZE (F)	MAXIMUM REC. LOAD(lbs.)		WT. PER IN. (lbs) W/O PIN	WT WITH PIN
									650 F	750 F		
W702103	3/8"	1/2"	1/2"	5/8"	1-1/2"	3-5/8"	5/16"	1-1/16"	730	540	.9	1
W702104	1/2"	5/8"	1/2"	5/8"	1-1/2"	3-5/8"	5/16"	1-1/16"	1350	1010	.7	.9
W702105	5/8"	3/4"	5/8"	5/8"	1-1/2"	3-5/8"	5/16"	1-1/16"	1810	1610	.7	.9
W702106	3/4"	7/8"	3/4"	7/8"	2"	5"	3/8"	1-1/4"	2710	2420	2.5	3
W702107	7/8"	1"	7/8"	7/8"	2"	5"	3/8"	1-1/4"	3770	3360	2.5	3.4
W702110	1"	1-1/8"	1"	1-5/16"	3"	5"	1/2"	1-1/2"	4960	4420	4	5.1
W702112	1-1/4"	1-3/8"	1-1/4"	1-5/16"	3"	5"	1/2"	1-1/2"	8000	7140	3.8	5.5
W702114	1-1/2"	1-5/8"	1-1/2"	1-5/8"	3-1/2"	6"	1/2"	1-3/4"	11630	10370	6	8.5
W702116	1-3/4"	1-7/8"	1-1/2"	1-3/4"	4"	6"	1/2"	2"	15700	14000	8	12.9
W702120	2"	2-1/4"	2-1/2"	2-1/4"	5"	7"	5/8"	2-1/2"	20700	18460	16	23.3
W702122	2-1/4"	2-1/2"	2-1/2"	2-3/4"	6"	8"	3/4"	3"	27200	24260	26	35.1
W702124	2-1/2"	2-3/4"	2-1/2"	2-3/4"	6"	8"	3/4"	3"	33500	29880	25	36
W702126	2-3/4"	3"	2-1/2"	3"	7"	8"	7/8"	3-1/2"	41580	37066	36	50
W702130	3"	3-1/4"	2-1/2"	3"	7"	9"	7/8"	3-1/2"	50580	45085	35	51.5

All above steel clevis are plain steel.
 To order other finishes, change the 5th character in the Part # as seen below:
 ELECTRO-GALVANIZED = 2
 Example: **W702, 2 03** = ELECTRO-GALV
 2

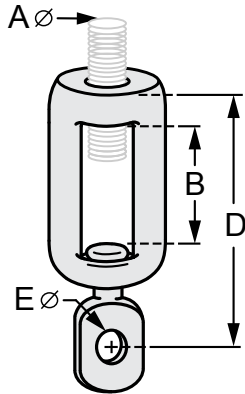
CLEVIS HANGER ACCESSORIES

TURNBUCKLES

G-FORCE®

Section 8

TURNBUCKLE ADJUSTER – SERIES W705

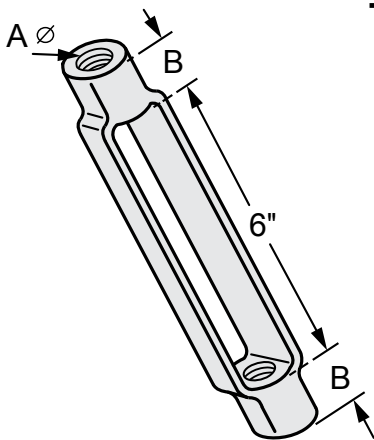


- Size Range:** 3/8" through 3/4" rod size.
- Material:** Malleable Iron.
- Finish:** Plain
- Ordering:** Specify rod size; finish and series #.
- Function:** Usually used with split pipe ring hangers, W760-Series.
- Available In:** Copper Finish (sizes 3/8" & 1/2" only).

PART #	ROD SIZE (A)	PIPE SIZE	SIZE (B)	SIZE (D)	SIZE (E)	MAXIMUM RECOMMENDED LOAD(lbs.)	LBS./100pcs
W705103	3/8"	1/2" to 2"	1-7/8"	3-13/16"	7/16"	610	28
W705104	1/2"	2-1/2" to 3-1/2"	1-13/16"	3-3/16"	7/16"	725	31
W705105	5/8"	4" to 5"	2-5/16"	4-7/8"	1/2"	710	72
W705106	3/4"	6"	2-5/16"	4-15/16"	9/16"	860	70

All above roller support are plain steel. To order other finishes, change the 5th character in the Part # as seen below:
 COPPER FINISH = 4
 Example: **W705403** = COPPER

TURNBUCKLE – SERIES W710



- Size Range:** 3/8" through 2" rod size.
- Material:** C - 1035 Forged Steel.
- Finish:** Plain
- Ordering:** Specify rod size; pin size; finish and series #.
- Approvals:** Complies with Manufacturers Standardization Society SP-69 (Type 14).
- Function:** Recommended as an adjustable hanger rod connection for piping and installations.

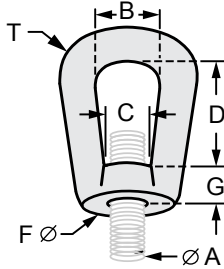
PART #	ROD SIZE (A)	SIZE (B)	MAXIMUM RECOMMENDED LOAD(lbs.)	LBS./100pcs
W710103	3/8"	1/2"	1200	42
W710104	1/2"	3/4"	2200	65
W710105	5/8"	1"	3500	98
W710106	3/4"	1"	5200	145
W710107	7/8"	1-1/4"	7200	185

PART #	ROD SIZE (A)	SIZE (B)	MAXIMUM RECOMMENDED LOAD(lbs.)	LBS./100pcs
W710110	1"	1-1/2"	9300	260
W710111	1-1/8"	1-1/2"	11600	460
W710112	1-1/4"	1-1/2"	15200	400
W710114	1-1/2"	1-7/8"	21000	815
W710120	2"	2-3/4"	37200	1400

CLEVIS HANGER ACCESSORIES

EYE NUT & SOCKET

FORGED STEEL WELDLESS EYE NUT – SERIES W715

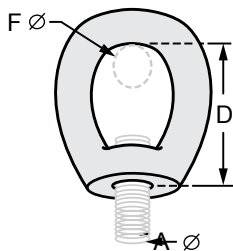


- Size Range:** 3/8" through 2-1/2" rod size.
- Material:** ASII C-1030 Fine Grain Steel.
- Finish:** Plain
- Ordering:** Specify rod size; finish and series #.
- Function:** Designed for use on high temperature pipe runs allowing for vertical adjustment.
- Available In:** 304 and 316 Stainless Steel.

PART #	ROD SIZE (A)	SIZE (B)	SIZE (C)	SIZE (D)	THICKNESS (T)	Ø SIZE (F)	SIZE (G)	MAXIMUM RECOMMENDED LOAD(lbs.)	LBS./ 100pcs
W715103	3/8"	1-1/2"	1-1/8"	2"	1/2"	1-3/8"	5/8"	1200	56
W715104	1/2"	1-1/2"	1-1/8"	2"	1/2"	1-3/8"	5/8"	2200	59
W715105	5/8"	1-1/2"	1-1/8"	2"	1/2"	1-3/8"	5/8"	3700	61
W715106	3/4"	1-1/2"	1-1/8"	2"	1/2"	1-3/8"	5/8"	5500	63
W715107	7/8"	2"	1-5/8"	2-5/8"	3/4"	2"	1"	5700	167
W715110	1"	2"	1-5/8"	2-5/8"	3/4"	2"	1"	10000	172
W715111	1-1/8"	2-1/2"	1-3/4"	3-3/8"	1"	2-3/8"	1-1/4"	12000	345
W715112	1-1/4"	2-1/2"	1-3/4"	3-3/8"	1"	2-3/8"	1-1/4"	30000	364
W715114	1-1/2"	2-1/2"	1-3/4"	3-3/8"	1"	2-3/8"	1-1/4"	22000	373
W715116	1-3/4"	4"	4"	6-1/4"	1-1/2"	4"	2-1/4"	30000	1480
W715120	2"	4"	4"	6-1/4"	1-1/2"	4"	2-1/4"	40000	1550
W715122	2-1/4"	4"	4"	6-1/4"	1-1/2"	4"	2-1/4"	45000	1614
W715124	2-1/2"	4"	4"	6-1/4"	1-1/2"	4"	2-1/4"	50000	1657

All Eye Nuts are plain steel. To order other finishes, change the 5th character in the Part # as seen below:
 STAINLESS STEEL (304) = 8
 STAINLESS STEEL (316) = 0
 Example: **W715,403** = STAINLESS STEEL (304)
 8

MALLEABLE EYE SOCKET – SERIES W720

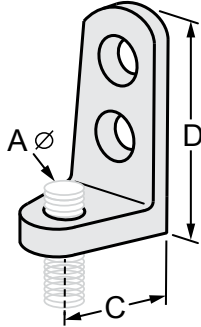


- Size Range:** 3/8" through 7/8" pipe size.
- Material:** Malleable Iron.
- Finish:** Plain
- Ordering:** Specify rod size; finish and series #.
- Function:** A non-adjustable threaded rod attachment often used with the split ring hanger and beam clamps.
- Available In:** Copper Finish (sizes 1/4" & 1/2" only).

PART #	ROD SIZE (A)	PIPE SIZE	SIZE (D)	MAX. BOLT Ø (F)	MAXIMUM RECOMMENDED LOAD(lbs.)	LBS./ 100pcs
W720103	3/8"	1/2"	1-3/8"	1-1/8"	610	20
W720104	1/2"	1/2"	1-1/2"	1-1/8"	1130	40
W720105	5/8"	5/8"	1-3/4"	1-1/8"	1810	44
W720106	3/4"	7/8"	2-1/8"	1-1/8"	2710	65
W720107	7/8"	7/8"	2-3/8"	1-5/8"	2950	78

All above roller support are plain steel. To order other finishes, change the 5th character in the Part # as seen below:
 COPPER FINISH = 3
 Example: **W720,403** = COPPER
 3

SIDE BEAM CONNECTOR – SERIES W725

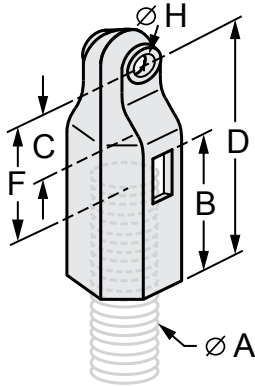


- Size Range:** 3/8" through 1/2" all thread rod.
- Material:** Malleable Iron.
- Finish:** Plain.
- Ordering:** Specify rod size; finish and series #.
- Function:** Recommended for mounting to side of a wood beam with W825 Series wood drive screws.
- Available In:** Electro-Galvanized & Copper.

PART #	SIZE (A)	SIZE (C)	SIZE (D)	MAXIMUM RECOMMENDED LOAD(lbs.)	LBS./100pcs	CARTON QTY.
W725103	3/8"	9/16"	2-3/8"	250	13	100
W725104	1/2"	3/4"	2-3/4"	480	25	100

Beam connectors are plain steel. To order other finishes, change the 5th character in the Part # as seen below:
 ELECTRO-GALVANIZED = 2
 COPPER FINISH = 3
 Example: **W725,203** = ELECTRO-GALV
2

EXTENSION PIECE – SERIES W730



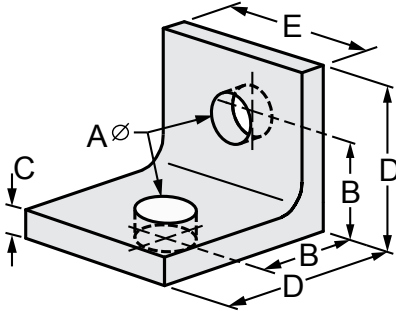
- Size Range:** 3/8" through 7/8" rod size.
- Material:** Malleable Iron.
- Finish:** Plain.
- Ordering:** Specify rod size; finish and series #.
- Function:** Designed for attaching a hanger rod to various building attachments.
- Available In:** Electro-Galvanized.

PART #	ROD SIZE (A)	PIPE SIZE	SIZE (B)	SIZE (C)	SIZE (D)	SIZE (E)	SIZE (F)	SIZE (G)	MAXIMUM RECOMMENDED LOAD(lbs.)	LBS./100pcs
W730103	3/8"	3/4" to 2"	1-1/4"	1/2"	2"	1/2"	1-1/4"	1/2"	610	20
W730104	1/2"	2-1/2" to 3-1/2"	1-3/8"	5/8"	2-1/4"	1/2"	1-3/8"	5/8"	1130	40
W730105	5/8"	4" to 5"	1-1/2"	3/4"	2-1/2"	1/2"	1-1/2"	5/8"	1910	44
W730106	3/4"	6"	1-3/4"	7/8"	2-7/8"	1/2"	1-5/8"	5/8"	2710	65
W730107	7/8"	8" - 12"	1-7/8"	7/8"	3"	9/16"	1-3/4"	3/4"	2950	78

All above extension pieces are plain steel. To order other finishes, change the 5th character in the Part # as seen below:
 ELECTRO-GALVANIZED = 2
 Example: **W730,203** = ELECTRO-GALV
2

CLEVIS HANGER ACCESSORIES

STEEL SIDE BEAM BRACKET – SERIES W735

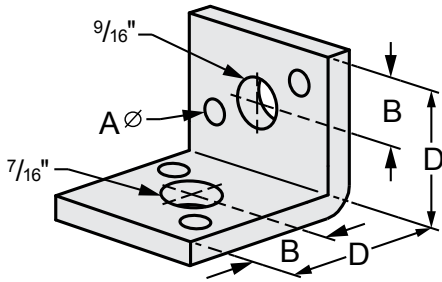


- Size Range:** 3/8" through 3/4" rod sizes.
- Material:** Carbon steel.
- Finish:** Plain.
- Ordering:** Specify rod size; pipe size; finish and series #.
- Function:** Designed to be fastened to side of joist in order to support a hanger rod.
- Available In:** Electro-Galvanized, 304 & 316 Stainless Steel.

PART #	PIPE SIZE	SIZE (A)	SIZE (B)	SIZE (C)	SIZE (D)	SIZE (E)	MAXIMUM RECOMMENDED LOAD(lbs.)	LBS./100pcs	CARTON QTY.
W735103	3/8"	7/16"	1-1/4"	3/16"	2-1/8"	1-3/4"	300	32	100
W735104	1/2"	9/16"	1-3/8"	1/4"	2-1/8"	1-3/4"	560	38	100
W735105	5/8"	11/16"	1-3/4"	3/8"	2-3/4"	2-1/2"	900	119	50
W735106	3/4"	13/16"	2-1/8"	3/8"	3-1/4"	2-1/2"	900	136	50

All side beam brackets are plain steel. To order other finishes, change the 5th character in the Part # as seen below:
 STAINLESS STEEL (304) = 8
 STAINLESS STEEL (316) = 0
 ELECTRO-GALVANIZED = 2
 Example: **W735103** = ELECTRO-GALV
 2

REVERSIBLE SIDE BEAM ANGLE BRACKET – SERIES W736

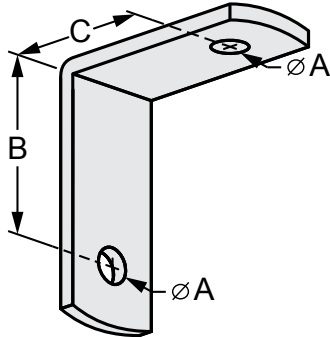


- Size Range:** 3/8" or 1/2" rod sizes.
- Material:** Low Carbon steel.
- Finish:** Plain & Electro-Galvanized.
- Ordering:** Finish and series #.
- Approval:** Complies with Federal Specification A-A-1192A (Type 34) and Manufacturers' Standardization Society ANSI/SP-69 and SP-58 (Type 34).
- Function:** Designed for attaching hanger rod to the side of beams of walls. Series W736 can accommodate either 3/8" or 1/2" inch rod.

PART #	FINISH	ROD SIZE	SIZE (A)	SIZE (B)	SIZE (D)	MAXIMUM RECOMMENDED LOAD(lbs.)	LBS./100pcs
W736103	PLAIN	3/8" or 1/2"	9/32"	13/16"	2"	500	50
W736203	ELECTRO-GALVANIZED	3/8" or 1/2"	9/32"	13/16"	2"	500	50

CLEVIS HANGER ACCESSORIES

REVERSIBLE ANGLE BRACKET – SERIES W728

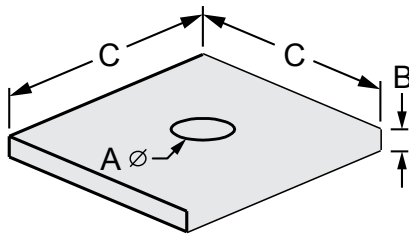


Size Range: 7/16" to 9/16" hole sizes
Material: Low Carbon Steel.
Finish: Plain.
Ordering: Specify type #, finish and series #.
Function: Designed to support pipe at various distances from a wall or column.
Available In: Electro-Galvanized, 304 & 316 Stainless Steel.

PART #	TYPE #	SIZE (A)	SIZE (B)	SIZE (C)	MAXIMUM RECOMMENDED LOAD(lbs.)	LBS./100pcs
W728110	1	7/16"	3"	2"	180	43
W728120	2	7/16"	4"	3"	180	58
W728130	3	9/16"	3"	2"	390	100
W728140	4	9/16"	4"	3"	390	125

All angle brackets are plain steel. To order other finishes, change the 5th character in the Part # as seen below:
 STAINLESS STEEL (304) = 8
 STAINLESS STEEL (316) = 0
 ELECTRO-GALVANIZED = 2
 Example: **W728110** = ELECTRO-GALV
2

SQUARE PLATE WASHER – SERIES W737



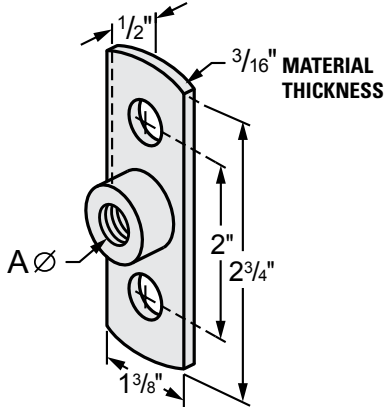
Material: Low Carbon Steel.
Finish: Plain.
Ordering: Specify rod size; length; finish and series #.
Function: Designed as a heavy-duty washer to suspend hanger rods.
Available In: Electro-Galvanized, 304 & 316 Stainless Steel.

PART #	STANDARD ROD SIZE (A)	SIZE (B)	SIZE (D)	LBS./100pcs
W737103	3/8"	1/4"	2"	24
W737104	1/2"	1/4"	2"	23
W737105	5/8"	1/4"	2-1/2"	40
W737106	3/4"	1/4"	2-1/2"	39
W737107	7/8"	3/8"	3"	87
W737110	1"	3/8"	4"	160
W737111	1-1/8"	1/2"	4"	226

PART #	STANDARD ROD SIZE (A)	SIZE (B)	SIZE (D)	LBS./100pcs
W737114	1-1/4"	1/2"	5"	354
W737220	2"	3/4"	6"	680

All square plate washers are plain steel. To order other finishes, change the 5th character in the Part # as seen below:
 STAINLESS STEEL (304) = 8
 STAINLESS STEEL (316) = 0
 ELECTRO-GALVANIZED = 2
 Example: **W737103** = ELECTRO-GALV
2

CEILING FLANGE – SERIES W750

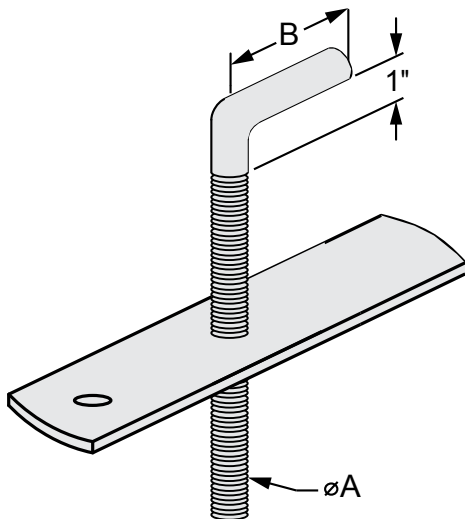


- Size Range:** 3/8" through 1/2" rod size.
- Material:** Carbon Iron.
- Finish:** Plain.
- Ordering:** Specify rod size; finish and series #.
- Function:** Design to be fastened a hanger rod to a beam or ceilings.
- Available In:** Electro-Galvanized and Copper Plated.

PART #	Ø SIZE (A)	MAXIMUM RECOMMENDED LOAD(lbs.)	CARTON QTY.	LBS./100pcs
W750103	3/8"	180	100	17
W750104	1/2"	180	100	18

Ceiling Flanges are plain steel. To order other finishes, change the 5th character in the Part # as seen below:
 ELECTRO-GALVANIZED = 2
 COPPER PLATED = 3
 Example: **W750,2,03** = ELECTRO-GALV
 2

ADJUSTABLE Q-DECK INSERT – SERIES W751



- Size Range:** 3/8" through 1" rod size
- Material:** Low Carbon Steel with Electro-Galvanized Rod.
- Finish:** Plain.
- Ordering:** Specify rod size; length; finish and series #.
- Function:** Designed for installation in metal concrete deck forms to provide a means to support piping and equipment.
- Available In:** Electro-Galvanized.

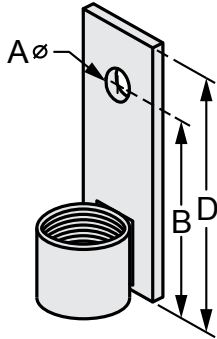
All above q-deck insert are plain steel. To order other finishes, change the 5th character in the Part # as seen below:
 ELECTRO-GALVANIZED = 2
 Example: **W751,2,03** = ELECTRO-GALV
 2

PART #	ROD SIZE (A)	SIZE (B)	THREAD LENGTH	MAXIMUM RECOMMENDED LOAD(lbs.)	LBS./100pcs
W751103	3/8"	1-11/16"	7"	730	80
W751104	1/2"	1-3/4"	7"	1350	99
W751105	5/8"	2-5/16"	7"	1810	129

PART #	ROD SIZE (A)	SIZE (B)	THREAD LENGTH	MAXIMUM RECOMMENDED LOAD(lbs.)	LBS./100pcs
W751106	3/4"	2-3/8"	7"	2710	238
W751107	7/8"	2-3/8"	7"	3770	284
W751110	1"	2-3/8"	7"	4960	297

CLEVIS HANGER ACCESSORIES

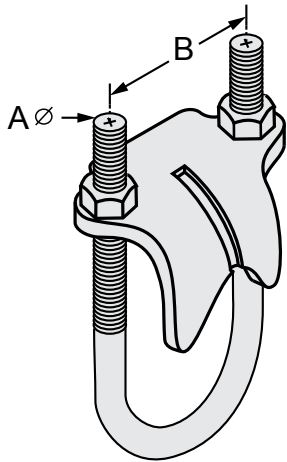
SEISMIC BRACE – SERIES W752



Size Range: 1" tapped pipe size.
Material: Low Carbon Steel.
Finish: Plain & Electro-Galvanized.
Ordering: Specify; finish; and series #.
Function: Designed for bracing pipe against sway due to seismic disturbance. Often used in conjunction with Series W510 pipe clamp and Series W735 angle bracket at each end of the sway brace.

PART #	FINISH	TAPPED PIPE SIZE	SIZE (A)	SIZE (B)	SIZE (D)	LBS./100pcs
W752110	PLAIN	1"	9/16"	3-1/4"	4"	51
W752210	ELECTRO-GALVANIZED	1"	9/16"	3-1/4"	4"	51

RIGHT ANGLE CLAMP – SERIES W770



Material: Malleable iron with carbon steel U-bolt.
Finish: Hot-Dipped Galvanized
Ordering: Specify rod size; finish; length and series #.
Function: Designed to anchor pipe or conduit at a right angle to the structural member.
Available In: Electro-Galvanized.

All above angle clamps are hot dip galv. To order other finishes, change the 5th character in the Part # as seen below:
 ELECTRO-GALVANIZED = 2
 Example: **W770903** = ELECTRO-GALV 2

PART #	PIPE SIZE	SIZE Ø (A)	SIZE (B)	LBS./100pcs
W770903	3/8"	1/4"	1-5/8"	33
W770904	1/2"	5/16"	2"	41
W770906	3/4"	5/16"	2-1/8"	42
W770910	1"	5/16"	2-3/8"	47
W770912	1-1/4"	5/16"	3"	54
W770914	1-1/2"	5/16"	3-1/2"	57

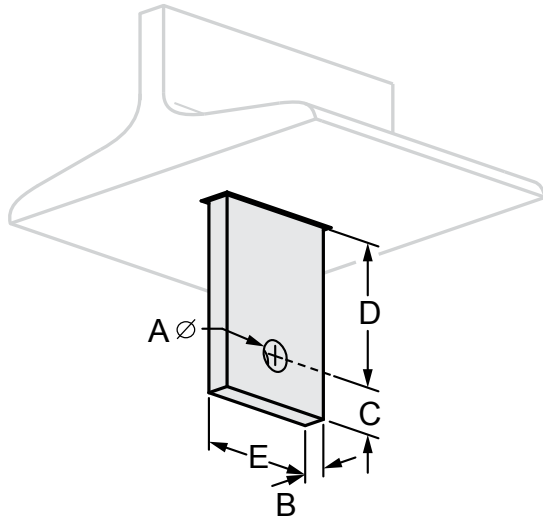
PART #	PIPE SIZE	SIZE Ø (A)	SIZE (B)	LBS./100pcs
W770920	2"	3/8"	4"	85
W770924	2-1/2"	3/8"	4-3/8"	106
W770930	3"	3/8"	5"	110
W770934	3-1/2"	3/8"	5-1/2"	128
W770940	4"	3/8"	6"	140

CLEVIS HANGER ACCESSORIES

WELDING LUG

WELDING LUG – SERIES W738

-SHORT-



- Size Range:** 1/2" through 1-1/2" rod sizes.
- Material:** Low Carbon Steel.
- Finish:** Plain.
- Ordering:** Specify rod size; finish; series #.
- Function:** Designed to be welded to the underside of structural member to provide a means of supporting rod attachments. Used in conjunction with Series W701 forged steel clevis.
- Available In:** 304 and 316 Stainless Steel.

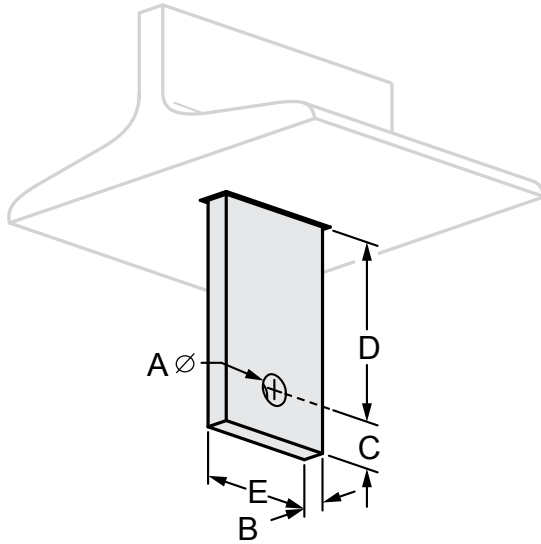
PART #	ROD SIZE	PIN OR BOLT	SIZE (A)	SIZE (B)	SIZE (C)	SIZE (D)	SIZE (E)	MAXIMUM RECOMMENDED LOAD(lbs.)	LBS./100pcs
W738104	1/2"	5/8"	11/16"	1/4"	1-1/4"	1-1/2"	2-1/2"	1130	48
W738105	5/8"	3/4"	13/16"	1/4"	1-1/4"	1-1/2"	2-1/2"	1810	41
W738106	3/4"	7/8"	15/16"	3/8"	1-1/4"	1-1/2"	2-1/2"	2710	60
W738107	7/8"	1"	1-1/8"	3/8"	1-1/4"	2"	2-1/2"	3770	71
W738110	1"	1-1/8"	1-1/4"	1/2"	1-1/2"	2"	3"	4960	120
W738112	1-1/4"	1-3/8"	1-1/2"	5/8"	2"	3"	4"	8000	303
W738114	1-1/2"	1-5/8"	1-3/4"	3/4"	2-1/2"	3"	5"	11630	482

Above welding lugs are plain steel. To order other finishes, change the 5th character in the Part # as seen below:
 STAINLESS STEEL (304) = 8
 STAINLESS STEEL (316) = 0
 Example: **W738, 8 04** = STAINLESS STEEL (304)
8

CLEVIS HANGER ACCESSORIES

WELDING LUG – SERIES W739

-LONG-



- Size Range:** 1/2" through 1-1/2" rod sizes.
- Material:** Low Carbon Steel.
- Finish:** Plain.
- Ordering:** Specify rod size; finish; series #.
- Function:** Designed to be welded to the underside of structural member to provide a means of supporting rod attachments. Used in conjunction with Series W701 forged steel clevis.
- Available In:** 304 and 316 Stainless Steel.

PART #	ROD SIZE	PIN OR BOLT	SIZE (A)	SIZE (B)	SIZE (C)	SIZE (D)	SIZE (E)	MAXIMUM RECOMMENDED LOAD(lbs.)	LBS./100pcs
W739104	1/2"	5/8"	11/16"	1/4"	1-1/4"	3"	2-1/2"	1130	75
W739105	5/8"	3/4"	13/16"	1/4"	1-1/4"	3"	2-1/2"	1810	68
W739106	3/4"	7/8"	15/16"	3/8"	1-1/4"	3"	2-1/2"	2710	104
W739107	7/8"	1"	1-1/8"	3/8"	1-1/4"	3"	2-1/2"	3770	98
W739110	1"	1-1/8"	1-1/4"	1/2"	1-1/2"	3"	3"	4960	162
W739112	1-1/4"	1-3/8"	1-1/2"	5/8"	2"	4"	4"	8000	373
W739114	1-1/2"	1-5/8"	1-3/4"	3/4"	2-1/2"	4-1/2"	5"	11630	642

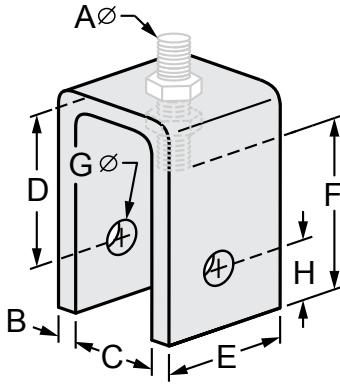
Above welding lugs are plain steel. To order other finishes, change the 5th character in the Part # as seen below:

STAINLESS STEEL (304) = 8
 STAINLESS STEEL (316) = 0

Example: **W739.204** = STAINLESS STEEL (304)
8

WELDING BEAM ATTACHMENT

WELDED BEAM ATTACHMENT – SERIES W740



- Size Range:** 3/8" through 2-1/4" rod sizes
- Material:** Carbon Steel.
- Finish:** Plain.
- Ordering:** Specify rod size, series # and finish.
- Function:** Designed as a support, guide, or anchor for heavy loads.
- Available In:** Electro-Galvanized, 304 & 316 Stainless Steel.

PART #	ROD SIZE (A)	HOLE SIZE (G)	SIZE (B)	SIZE (C)	SIZE (D)	SIZE (E)	SIZE (F)	SIZE (H)	BOLT SIZE	MAXIMUM REC. LOAD(lbs.)		LBS./ 100pcs
										650 F	750 F	
W740103	3/8"	1/2"	1/4"	1-1/4"	2"	2"	7/8"	3/8"	1/2 x 2-1/2"	610	510	117
W740104	1/2"	5/8"	1/4"	1-1/4"	2"	2"	7/8"	3/8"	5/8 x 2-1/2"	1130	940	131
W740105	5/8"	3/4"	1/4"	1-1/4"	2"	2"	7/8"	3/8"	3/4 x 2-3/4"	1810	1510	155
W740106	3/4"	1"	3/8"	1-7/8"	2"	2-1/2"	1-1/8"	3/8"	7/8 x 3-1/2"	2710	2660	279
W740107	7/8"	1-1/8"	3/8"	2"	3"	2-1/2"	1-1/4"	3/8"	1 x 4"	3770	3150	394
W740110	1"	1-1/4"	1/2"	2"	3"	3"	1-1/2"	3/8"	1-1/8 x 4-1/2"	4960	4150	629
W740112	1-1/4"	1-1/2"	5/8"	2-1/2"	3"	4"	2"	1/2"	1-3/8 x 5"	8000	6660	1022
W740114	1-1/2"	1-3/4"	3/4"	3"	4"	5"	2-1/2"	1/2"	1-5/8 x 5-3/4"	11630	9700	1902
W740116	1-3/4"	2"	3/4"	3-3/4"	5"	5"	2-3/4"	1/2"	1-7/8 x 6-7/8"	15700	14000	2418
W740120	2"	2-3/8"	3/4"	3-3/4"	5"	6"	3-1/4"	1/2"	2-1/4 x 6-7/8"	20700	18460	3055
W740122	2-1/4"	2-5/8"	3/4"	4-1/4"	6"	6"	3-1/2"	1/2"	2-1/2 x 7-3/8"	27200	24260	3678

All above beam attachments are plain steel. To order other finishes, change the 5th character in the Part # as seen below:

- STAINLESS STEEL (304) = 8
- STAINLESS STEEL (316) = 0
- ELECTRO-GALVANIZED = 2

Example: **W740103** = ELECTRO-GALV
2

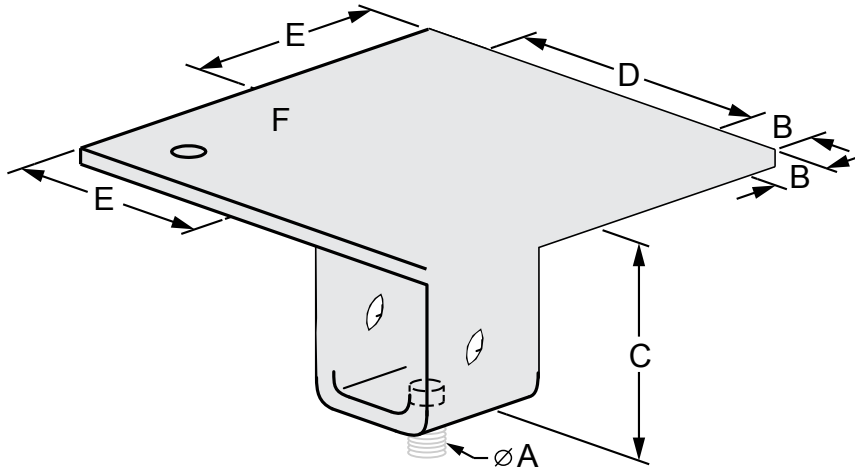
CLEVIS HANGER ACCESSORIES

ATTACHMENT PLATE

G-FORCE®

Section 8

CONCRETE ROD ATTACHMENT PLATE – SERIES W741



- Size Range:** 3/8" through 2" rod sizes
- Material:** Low Carbon Steel.
- Finish:** Plain.
- Ordering:** Specify rod size, finish and series #.
- Function:** Designed for attaching hanger rod to a concrete ceiling.
- Available In:** Electro-Galvanized, 304 & 316 Stainless Steel.

PART #	ROD SIZE (A)	SIZE (B)	SIZE (C)	SIZE (D)	SIZE (E)	SIZE (F)	PLATE SIZE	MAXIMUM RECOMMENDED LOAD(lbs.)	LBS./100pcs
W741103	3/8"	1"	2-7/8"	8"	5"	9/16"	10" x 10" x 3/8"	730	1160
W741104	1/2"	1"	2-7/8"	8"	5"	9/16"	10" x 10" x 3/8"	1350	1160
W741105	5/8"	1"	2-7/8"	8"	5"	9/16"	10" x 10" x 3/8"	1810	1510
W741106	3/4"	1"	3-1/4"	8"	5"	11/16"	10" x 10" x 1/2"	2710	1610
W741107	7/8"	1"	4-1/4"	8"	5"	11/16"	10" x 10" x 1/2"	3770	1670
W741110	1"	2"	4-1/2"	8"	6"	13/16"	12" x 12" x 1/2"	4960	3490
W741111	1-1/8"	2"	4-3/4"	8"	6"	13/16"	12" x 12" x 1/2"	6230	3525
W741112	1-1/4"	2"	5"	8"	6"	15/16"	12" x 12" x 3/4"	8000	3870
W741114	1-1/2"	2"	6-1/2"	8"	6"	1-1/16"	12" x 12" x 1"	11630	5640
W741116	1-3/4"	2"	7-3/4"	10"	7"	1-3/8"	14" x 14" x 1-1/4"	15700	8810
W741120	2"	2"	8-1/4"	10"	7"	1-3/8"	14" x 14" x 1-1/4"	20700	9220

All above rod attachments are plain steel. To order other finishes, change the 5th character in the Part # as seen below:

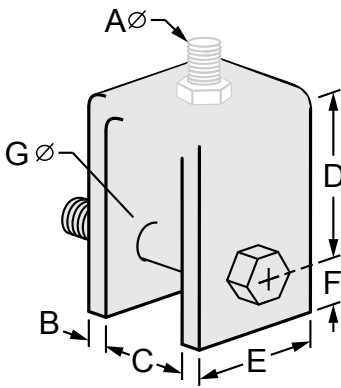
STAINLESS STEEL (304) = 8
 STAINLESS STEEL (316) = 0
 ELECTRO-GALVANIZED = 2

Example: **W741 1 03** = ELECTRO-GALV
 2

CLEVIS HANGER ACCESSORIES

WELDING BEAM ATTACHMENT

WELDING BEAM ATTACHMENT w/ PIN – SERIES W745



- Size Range:** 3/8" through 2-1/4" rod sizes
- Material:** Carbon Steel.
- Finish:** Plain.
- Ordering:** Specify rod size, series # and finish.
- Function:** Designed as a support, guide, or anchor for heavy loads.
- Available In:** Electro-Galvanized, 304 & 316 Stainless Steel.

PART #	ROD SIZE (A)	HOLE SIZE (G)	SIZE (B)	SIZE (C)	SIZE (D)	SIZE (E)	SIZE (F)	BOLT SIZE	MAXIMUM REC. LOAD(lbs.)		LBS./100pcs
									650 F	750 F	
W745103	3/8"	1/2"	1/4"	1-1/4"	2"	2"	7/8"	1/2 x 2-1/2"	610	510	117
W745104	1/2"	5/8"	1/4"	1-1/4"	2"	2"	7/8"	5/8 x 2-1/2"	1130	940	131
W745105	5/8"	3/4"	1/4"	1-1/4"	2"	2"	7/8"	3/4 x 2-3/4"	1810	1510	155
W745106	3/4"	1"	3/8"	1-7/8"	2"	2-1/2"	1-1/8"	7/8 x 3-1/2"	2710	2660	279
W745107	7/8"	1-1/8"	3/8"	2"	3"	2-1/2"	1-1/4"	1 x 4"	3770	3150	394
W745110	1"	1-1/4"	1/2"	2"	3"	3"	1-1/2"	1-1/8 x 4-1/2"	4960	4150	629
W745112	1-1/4"	1-1/2"	5/8"	2-1/2"	3"	4"	2"	1-3/8 x 5"	8000	6660	1022
W745114	1-1/2"	1-3/4"	3/4"	3"	4"	5"	2-1/2"	1-5/8 x 5-3/4"	11630	9700	1902
W745116	1-3/4"	2"	3/4"	3-3/4"	5"	5"	2-3/4"	1-7/8 x 6-7/8"	15700	14000	2418
W745120	2"	2-3/8"	3/4"	3-3/4"	5"	6"	3-1/4"	2-1/4 x 6-7/8"	20700	18460	3055
W745122	2-1/4"	2-5/8"	3/4"	4-1/4"	6"	6"	3-1/2"	2-1/2 x 7-3/8"	27200	24260	3678

All above beam attachments are plain steel. To order other finishes, change the 5th character in the Part # as seen below:

STAINLESS STEEL (304) = 8
 STAINLESS STEEL (316) = 0
 ELECTRO-GALVANIZED = 2

Example: **W745, 2 03** = ELECTRO-GALV
2

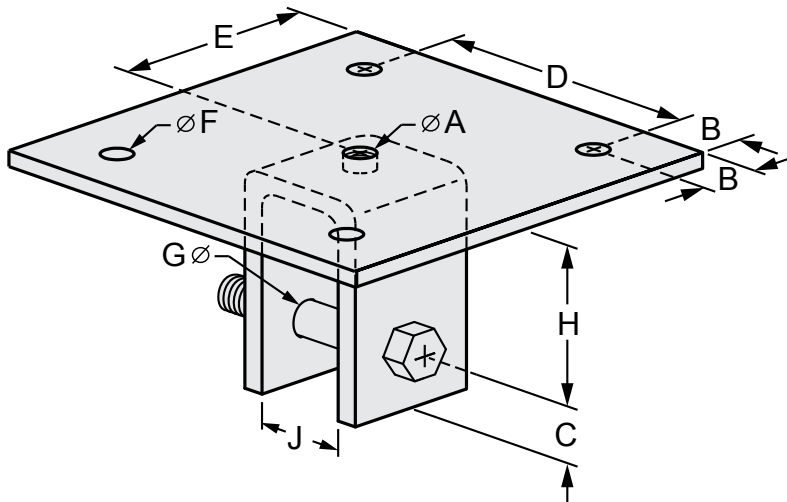
CLEVIS HANGER ACCESSORIES

ATTACHMENT PLATE

G-FORCE®

Section 8

CONCRETE CLEVIS PLATE – SERIES W746



- Size Range:** 3/8" through 2" rod sizes
- Material:** Low Carbon Steel.
- Finish:** Plain.
- Ordering:** Specify rod size, finish and series #.
- Function:** Designed for use as a structural attachment to a concrete ceiling. Normally used in conjunction with Series W715 weldless eye nut or Series W867 welded eye rod.
- Available In:** Electro-Galvanized, 304 & 316 Stainless Steel.

PART #	ROD SIZE (A)	BOLT SIZE (G)	SIZE (B)	SIZE (C)	SIZE (D)	SIZE (E)	SIZE (F)	SIZE (H)	SIZE (J)	PLATE SIZE	MAXIMUM RECOMMENDED LOAD(lbs.)	LBS./100pcs
W746103	3/8"	1/2"	1"	7/8"	8"	5"	9/16"	2"	1-1/4"	10" x 10" x 3/8"	730	1180
W746104	1/2"	5/8"	1"	7/8"	8"	5"	9/16"	2"	1-1/4"	10" x 10" x 3/8"	1350	1190
W746105	5/8"	3/4"	1"	7/8"	8"	5"	9/16"	2"	1-1/4"	10" x 10" x 3/8"	1810	1570
W746106	3/4"	7/8"	1"	1-1/4"	8"	5"	11/16"	2"	2-1/4"	10" x 10" x 3/8"	2710	1690
W746107	7/8"	1"	1"	1-1/4"	8"	5"	11/16"	3"	2-3/8"	10" x 10" x 3/8"	3770	1810
W746110	1"	1-1/8"	1"	1-1/2"	8"	6"	13/16"	3"	2-3/4"	12" x 12" x 1/2"	4960	3690
W746111	1-1/8"	1-1/4"	2"	1-3/4"	8"	6"	13/16"	3"	3"	12" x 12" x 1/2"	6230	3775
W746112	1-1/4"	1-3/8"	2"	2"	8"	6"	13/16"	3"	3-1/2"	12" x 12" x 3/4"	8000	4090
W746114	1-1/2"	1-5/8"	2"	2-1/2"	8"	6"	15/16"	4"	3"	12" x 12" x 1"	11630	5980
W746116	1-3/4"	1-7/8"	2"	2-3/4"	10"	7"	1-3/8"	5"	3-3/4"	14" x 14" x 1-1/4"	15700	9360
W746120	2"	2-1/4"	2"	3-1/4"	10"	7"	1-3/8"	5"	3-3/4"	14" x 14" x 1-1/4"	20700	10000

All above clevis plates are plain steel. To order other finishes, change the 5th character in the Part # as seen below:

STAINLESS STEEL (304) = 8

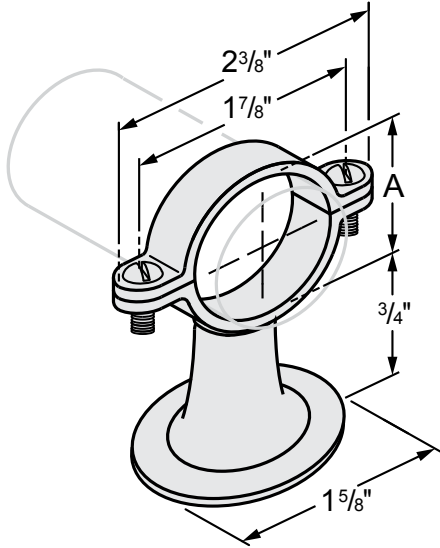
STAINLESS STEEL (316) = 0

ELECTRO-GALVANIZED = 2

Example: **W746**~~2~~**03** = ELECTRO-GALV
2

PIPE CLAMP / RING HANGERS

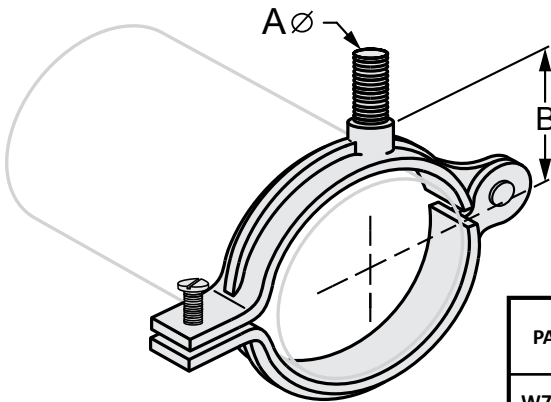
VAN HANGER – SERIES W755



Size Range: 1/2" through 1" copper tubing.
Finish: Copper.
Ordering: Specify copper tube size and series #.
Function: It replaces the heavy cast brass concealed screw hanger. It is made to support pipes at various distances from the wall.

PART #	SIZE (A)	CARTON QTY.	LBS./ 100pcs
W755304	1/2"	25	7.5
W755306	3/4"	25	8
W755310	1"	25	8.5

COPPER HINGED SPLIT RING HANGER – SERIES W765



Size Range: 3/8" through 2" pipe size.
Material: Malleable Iron.
Finish: Copper Plating.
Ordering: Specify pipe size; finish and series #.
Function: Recommended for the suspension of non-insulated stationary pipe.

PART #	PIPE SIZE	SIZE (A)	SIZE (B)	MAXIMUM RECOMMENDED LOAD(lbs.)	CARTON QTY.	LBS./ 100pcs
W765303	3/8"	3/8"	5/8"	180	100	10
W765304	1/2"	3/8"	7/8"	180	100	13
W765306	3/4"	3/8"	1"	180	100	14
W765310	1"	3/8"	1"	180	100	16
W765312	1-1/4"	3/8"	1-1/8"	180	50	22
W765314	1-1/2"	3/8"	1-1/4"	180	50	24
W765320	2"	3/8"	1-1/2"	180	50	31

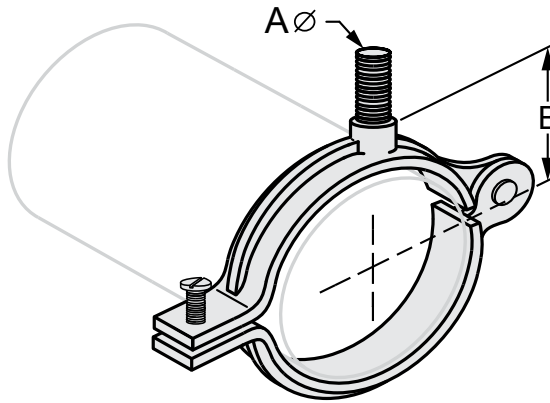
CLEVIS HANGER ACCESSORIES

SPLIT RING HANGER

G-FORCE®

Section 8

HINGED SPLIT RING HANGER – SERIES W760



- Size Range:** 3/8" through 4" pipe size.
- Material:** Malleable Iron.
- Finish:** Plain.
- Ordering:** Specify pipe size; finish and series #.
- Function:** Recommended for the suspension of non-insulated stationary pipe.
- Available In:** Electro-Galvanized.

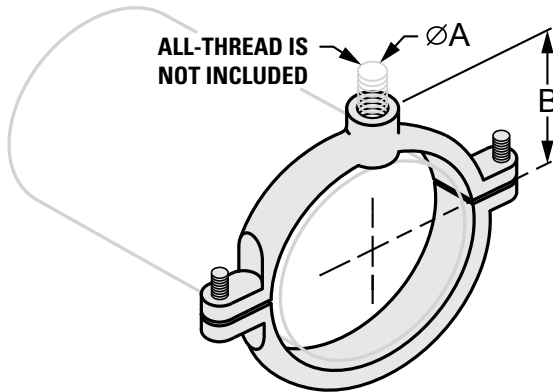
PART #	PIPE SIZE	SIZE (A)	SIZE (B)	MAXIMUM RECOMMENDED LOAD(lbs.)	CARTON QTY.	LBS./100pcs
W760103	3/8"	3/8"	5/8"	180	100	10
W760104	1/2"	3/8"	3/4"	180	100	13
W760106	3/4"	3/8"	7/8"	180	100	14
W760110	1"	3/8"	1-1/8"	180	100	16
W760112	1-1/4"	3/8"	1-1/8"	180	50	22
W760114	1-1/2"	3/8"	1-3/8"	180	50	24
W760120	2"	3/8"	1-5/8"	180	50	31
W760124	2-1/2"	1/2"	1-7/8"	300	50	60
W760130	3"	1/2"	2-3/8"	300	50	74
W760140	4"	1/2"	2-3/4"	300	25	85

All above ring hangers are plain steel.
 To order other finishes, change the 5th character in the Part # as seen below:
 ELECTRO-GALVANIZED = 2
 Example: **W760103** = ELECTRO-GALV
 2

CLEVIS HANGER
ACCESSORIES

SPLIT CLAMP HANGERS

EXTENSION SPLIT CLAMP HANGER – SERIES W761



Size Range: 3/8" through 4" pipe size.

Material: Malleable Iron.

Finish: Plain.

Ordering: Specify pipe size; finish and series #.

Approvals: Complies with Federal Specification A-A-1192 (Type12) and Manufacturers' Standardization Society ANSI/SP-69 and SP-58 (Type 12).

Function: Designed for non-insulated stationary pipe lines in either a horizontal or vertical position.

Available In: Electro-galvanized

PART #	PIPE SIZE	SIZE (A)	SIZE (B)	MAXIMUM RECOMMENDED LOAD(lbs.)	LBS./100pcs
W761103	3/8"	3/8"	13/16"	180	13
W761104	1/2"	3/8"	7/8"	180	14
W761106	3/4"	3/8"	1"	180	16
W761110	1"	3/8"	1-1/8"	180	18
W761112	1-1/4"	3/8"	1-5/16"	180	22
W761114	1-1/2"	3/8"	1-7/16"	180	38
W761120	2"	3/8"	1-11/16"	180	44
W761124	2-1/2"	1/2"	2-1/8"	300	45
W761130	3"	1/2"	2-7/16"	300	55
W761140	4"	1/2"	3-11/32"	300	70

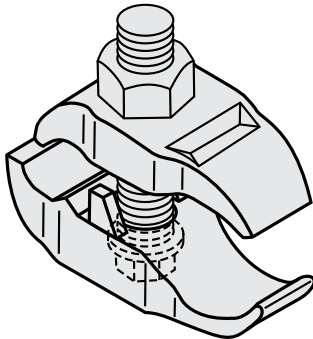
All above split clamp hangers are plain steel.
To order other finishes, change the 5th character in the Part # as seen below:
ELECTRO-GALVANIZED = 2
Example: **W761**~~**1**~~**03** = ELECTRO-GALV
2

SPLIT RING HANGER

G-FORCE®

Section 8

PARALLEL CONDUIT SUPPORT – SERIES W780

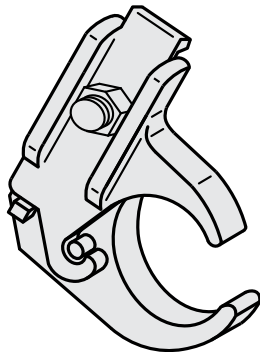


- Material:** Malleable iron.
Finish: Hot-Dipped Galvanized
Ordering: Specify pipe size and series #.
Function: Designed to anchor pipe parallel to the run of the structure.

PART #	PIPE SIZE	CARTON QTY.	LBS./100pcs
W780904	1/2"	50	58
W780906	3/4"	50	64
W780910	1"	50	70
W780912	1-1/4"	25	72
W780914	1-1/2"	25	93

PART #	PIPE SIZE	CARTON QTY.	LBS./100pcs
W780920	2"	25	100
W780924	2-1/2"	25	135
W780930	3"	10	135
W780934	3-1/2"	10	190
W780940	4"	10	205

EDGE TYPE CONDUIT SUPPORT – SERIES W785



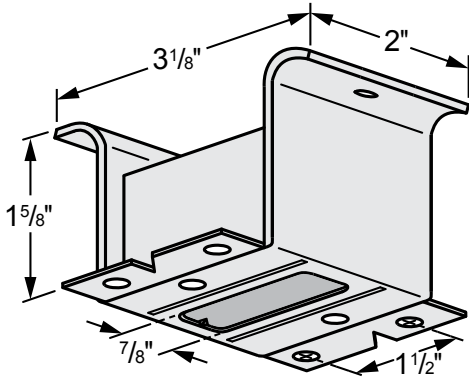
- Material:** Carbon Steel.
Finish: Hot-Dipped Galvanized
Ordering: Specify bolt size; finish and series #.
Function: Designed to anchor pipe perpendicular to the run of the structure.

PART #	PIPE SIZE	CARTON QTY.	LBS./100pcs
W785904	1/2"	50	67
W780906	3/4"	25	71
W780910	1"	25	85
W780912	1-1/4"	25	91
W780914	1-1/2"	25	115
W780920	2"	25	135
W780924	2-1/2"	10	185
W780930	3"	10	230

CLEVIS HANGER
ACCESSORIES

CONCRETE INSERT & NUT

SPOT CONCRETE INSERT – SERIES W790



PART #	ROD SIZE	MAXIMUM RECOMMENDED LOAD(lbs.)	LBS./100pcs
W790102	1/4	240	44
W790103	3/8	600	44
W790104	1/2	600	44
W790105	5/8	600	44
W790106	3/4	1200	96
W790207	7/8	600	44

Size Range: 1/4" thru 7/8" pipe size.

Material: Low Carbon Steel.

Finish: Plain.

Ordering: Specify rod size; finish and series #. If insert nut is needed Series W791 order separately.

Approvals: Complies with Federal Specification A-A-1192A (Type 18) and Manufacturers Standardization Society ANSI/AP-69 & SP-58 (Type 18).

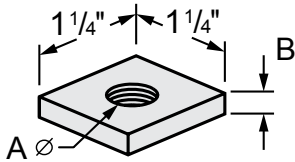
Function: Designed to be embedded in concrete to provide a means of suspending pipe from ceilings. The insert is held in place by nailing it to the forms, until the concrete is poured. The insert comes with a snap-out plug to keep the inner housing clean during pouring of the concrete. After the concrete has set, the plug is removed, exposing the inner housing. The rod should be tightened until it touches the top of the insert, but should not be forced further to avoid damage to the insert.

Available In: Electro-Galvanized.

Note: 7/8 rod size is only available in Electro-Galvanized finish.

All above concret inserts are plain steel. To order other finishes, change the 5th character in the Part # as seen below:
 ELECTRO-GALVANIZED = 2
 Example: **W790,2'02** = ELECTRO-GALV
 2

CONCRETE INSERT NUT – SERIES W791



PART #	SIZE (A)	SIZE (B)	LBS./100pcs
W791103	3/8"	1/4"	13
W791104	1/2"	1/4"	12
W791105	5/8"	1/4"	11
W791106	3/4"	1/4"	10
W791207	7/8"	5/16"	17

Material: Carbon Steel, continuous thread.

Finish: Plain

Ordering: Specify rod size; length; finish and series #.

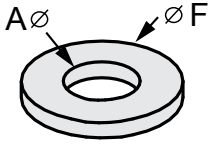
Available In: Electro-Galvanized

Note: 7/8" Diameter is only available in Electro-Galvanized finish.

Concret insert nuts are plain steel. To order other finishes, change the 5th character in the Part # as seen below:
 ELECTRO-GALVANIZED = 2
 Example: **W791,2'03** = ELECTRO-GALV
 2

CLEVIS HANGER ACCESSORIES

WASHERS



FLAT WASHER SERIES W815

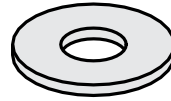
Material: Carbon Steel.

Finish: Plain.

Ordering: Specify bolt size; finish and series #.

Available In: Electro-Galvanized, 304 & 316 Stainless Steel.

PART #	SIZE OF BOLT	INSIDE Ø SIZE (A)	OUTSIDE Ø SIZE (F)	LBS./ 100pcs
W815102	1/4"	5/16"	3/4"	.67
W815103	3/8"	7/16"	1"	1.50
W815104	1/2"	9/16"	1-3/8"	3.90
W815105	5/8"	11/16"	1-3/4"	7.80
W815106	3/4"	13/16"	2"	11.00
W815107	7/8"	15/16"	2-1/4"	15.00



FENDER WASHER SERIES W818

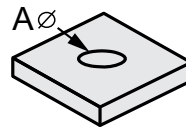
Size Range: 3/8" through 1/2" rod size

Material: Low Carbon Steel.

Finish: Electro-Galvanized.

Ordering: Specify rod size; finish and series #.

PART #	ROD SIZE	INSIDE Ø	OUTSIDE Ø	LBS./ 100pcs
W818203	3/8"	13/32"	1-1/2"	3
W818204	1/2"	17/32"	2"	3



SQUARE WASHER SERIES W800

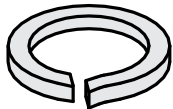
Material: Carbon Steel.

Finish: Plain.

Ordering: Specify rod size, finish and series #.

Available In: Electro-Galvanized.

PART #	ROD SIZE (A)	LBS./ 100pcs	MATERIAL SIZE
W800103	3/8"	48	3 x 3 x 1/8
W800104	1/2"	48	3 x 3 x 1/8
W800105	5/8"	64	3 x 3 x 1/4
W800106	3/4"	64	3 x 3 x 1/4
W800107	7/8"	165	4 x 4 x 3/8



LOCK WASHER SERIES W816

Size Range: 3/8" through 3/4" rod size

Material: Low Carbon Steel.

Finish: Plain.

Ordering: Specify rod size; finish and series #.

Available In: Electro-Galvanized, 304 & 316 Stainless Steel.

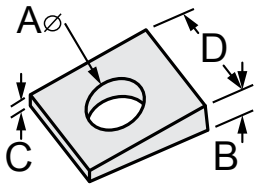
PART #	ROD SIZE	INSIDE Ø	OUTSIDE Ø	LBS./ 100pcs
W816103	3/8"	7/16"	11/16"	.7
W816104	1/2"	9/16"	7/8"	1.5
W816105	5/8"	11/16"	1-1/16"	2.6
W816106	3/4"	13/16"	1-1/4"	4.3

All parts on this page are plain steel except for Series W818. To order other finishes, change the 5th character in the Part # as seen below:
 STAINLESS STEEL (304) = 8
 STAINLESS STEEL (316) = 0
 ELECTRO-GALVANIZED = 2
 Example: W816,103 = ELECTRO-GAL
 2

WASHER / COUPLING / NUTS

G-FORCE®

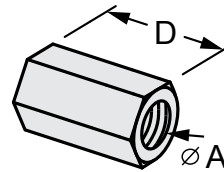
Section 9



BEVEL WASHER SERIES W817

- Size Range:** 3/8" through 7/8" rod size
Material: Malleable Rod Iron.
Finish: Plain.
Ordering: Specify rod size; finish and series #.
Function: Designed to be used on a tapered surface to permit the fastening of a bolt at a right angle.
Available In: Electro-Galvanized

PART #	ROD SIZE (A)	SIZE (B)	SIZE (C)	SIZE (D)	LBS./100pcs
W817103	3/8"	1-1/4"	11/32"	5/32"	9
W817104	1/2"	1-1/4"	11/32"	5/32"	9
W817105	5/8"	1-3/4"	13/32"	5/32"	14
W817106	3/4"	1-1/2"	15/32"	7/32"	16
W817107	7/8"	2"	9/16"	7/32"	33

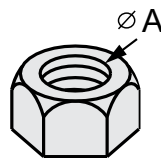


ROD COUPLING SERIES W805 & W806

- Material:** Hexagon Carbon Steel.
Finish: Plain.
Ordering: Specify rod tapping size, finish and series #.
Available In: Electro-Galvanized, 304 & 316 Stainless Steel.

PART #	ROD SIZE (A)	SIZE (D)	MAXIMUM RECOMMENDED LOAD(lbs.)	LBS./100pcs
W805103	3/8"	1"	610	4
W806103	3/8"	1-3/4"	610	13
W805104	1/2"	1-3/4"	1130	15
W805105	5/8"	2-1/4"	1810	18
W805106	3/4"	2-1/4"	2710	33
W805107	7/8"	2-1/2"	3770	72

HEX NUT - SERIES W810 & W811



- Material:** Carbon Steel.
Finish: Plain.
Ordering: Specify rod size; finish; standard or heavy duty and series #.
Available In: Electro-Galvanized, 304 & 316 Stainless Steel.

All parts on this page are plain steel.
 To order other finishes, change the 5th character in the Part # as seen below:

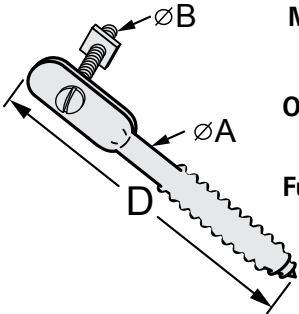
STAINLESS STEEL (304) = 8
 STAINLESS STEEL (316) = 0
 ELECTRO-GALVANIZED = 2
 Example: W817, 203 = ELECTRO-GALV 2

PART #	ROD SIZE (A)	STANDARD DUTY
		LBS./100pcs.
W810102	1/4"	.74
W810103	3/8"	1.6
W810104	1/2"	3.75
W810105	5/8"	7.33
W810106	3/4"	11.9
W810107	7/8"	19.0

PART #	ROD SIZE (A)	HEAVY DUTY
		LBS./100pcs.
W811102	1/4"	1.2
W811103	3/8"	3.2
W811104	1/2"	6.6
W811105	5/8"	12
W811106	3/4"	19
W811107	7/8"	30

SCREWS

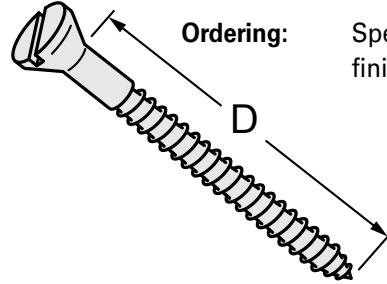
**FLAT END LAG SCREW
SERIES W821**



Material: Low Carbon Steel.
Finish: Plain.
Ordering: Specify bolt diameter; bolt length; and series #.
Function: Designed for attaching hangers to wood structures in light duty applications.

PART #	LAG Ø SIZE (A)	BOLT SIZE (B)	SIZE (D)	MAXIMUM RECOMMENDED LOAD(lbs.)	LBS./100pcs
W82125300	1/4"	1/2"	3"	230	4
W82131300	5/16"	5/8"	3"	300	7
W82137400	3/8"	3/4"	4"	360	10

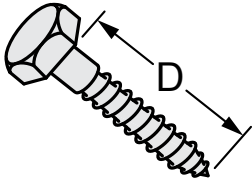
**WOOD DRIVE SCREW
SERIES W825**



Material: Low Carbon Steel.
Finish: Plain.
Ordering: Specify size; length; finish and series #.

SIZE (D)	SIZE NUMBER OF SCREW		
	12	14	16
1-1/2"	W82512125 1.4 LBS/100 PCS	W82514125 1.6 LBS/100 PCS	-
2"	W82512200 1.5 LBS/100 PCS	W82514200 1.8 LBS/100 PCS	W82516200 2.5 LBS/100 PCS

LAG SCREW – SERIES W820



Material: Carbon Steel.
Finish: Plain.
Ordering: Specify bolt diameter; bolt length; finish and series #.
Available In: Electro-Galvanized (please add an EG after the part # below if this finish is required).

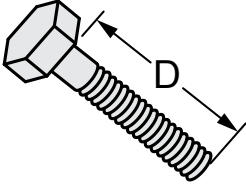
SIZE (D)	DIAMETER OF LAG SCREW				
	1/4"	3/8"	1/2"	5/8"	3/4"
1"	W82025100 1.5 LBS/100 PCS	W82037200 3.6 LBS/100 PCS	-	-	-
1-1/4"	W82025125 1.8 LBS/100 PCS	W82037125 4.2 LBS/100 PCS	-	-	-
1-1/2"	W82025150 2.0 LBS/100 PCS	W82037150 4.7 LBS/100 PCS	W82050150 8.8 LBS/100 PCS	-	-
1-3/4"	W82025175 2.3 LBS/100 PCS	W82037175 5.4 LBS/100 PCS	-	-	-
2"	W82025200 2.6 LBS/100 PCS	W82037200 6.1 LBS/100 PCS	W82050200 10.9 LBS/100 PCS	W82062200 20.2 LBS/100 PCS	-
2-1/2"	W82025250 3.0 LBS/100 PCS	W82037250 7.1 LBS/100 PCS	W82050250 12.7 LBS/100 PCS	W82062250 23.2 LBS/100 PCS	W82075250 36.4 LBS/100 PCS
3"	W82025300 3.7 LBS/100 PCS	W82037300 8.5 LBS/100 PCS	W82050300 15.4 LBS/100 PCS	W82062300 27.4 LBS/100 PCS	W82075300 42.5 LBS/100 PCS
3-1/2"	W82025350 4.2 LBS/100 PCS	W82037350 9.6 LBS/100 PCS	W82050350 17.3 LBS/100 PCS	W82062350 30.4 LBS/100 PCS	W82075350 47.0 LBS/100 PCS
4"	W82025400 4.8 LBS/100 PCS	W82037400 11.1 LBS/100 PCS	W82050400 20.1 LBS/100 PCS	W82062400 34.8 LBS/100 PCS	W82075400 53.1 LBS/100 PCS
4-1/2"	W82025450 5.3 LBS/100 PCS	W82037450 12.1 LBS/100 PCS	W82050450 22.8 LBS/100 PCS	W82062450 37.6 LBS/100 PCS	W82075450 57.4 LBS/100 PCS
5"	W82025500 6.0 LBS/100 PCS	W82037500 13.6 LBS/100 PCS	W82050500 24.5 LBS/100 PCS	W82062500 41.8 LBS/100 PCS	W82075500 63.7 LBS/100 PCS

FITTINGS & ACCESSORIES

HEX HEAD BOLTS

HEX HEAD BOLT – SERIES W835

-STANDARD DUTY-



SIZE (D)	DIAMETER OF HEX BOLT				
	3/8"	1/2"	5/8"	3/4"	7/8"
2"	W83537200 7 LBS/100 PCS	W83550200 14 LBS/100 PCS	W83562200 23 LBS/100 PCS	W83575200 35 LBS/100 PCS	-
2-1/4"	W83537225 8 LBS/100 PCS	W83550225 15 LBS/100 PCS	W83562225 25 LBS/100 PCS	W83575225 39 LBS/100 PCS	-
2-1/2"	W83537250 9 LBS/100 PCS	W83550250 17 LBS/100 PCS	W83562250 27 LBS/100 PCS	W83575250 42 LBS/100 PCS	W83587250 60 LBS/100 PCS
2-3/4"	W83537275 10 LBS/100 PCS	W83550275 18 LBS/100 PCS	W83562275 29 LBS/100 PCS	W83575275 45 LBS/100 PCS	W83587275 64 LBS/100 PCS
3"	W83537300 10 LBS/100 PCS	W83550300 20 LBS/100 PCS	W83562300 32 LBS/100 PCS	W83575300 48 LBS/100 PCS	W83587300 68 LBS/100 PCS
3-1/4"	W83537325 11 LBS/100 PCS	W83550325 21 LBS/100 PCS	W83562325 34 LBS/100 PCS	W83575325 51 LBS/100 PCS	W83587325 72 LBS/100 PCS
3-1/2"	W83537350 12 LBS/100 PCS	W83550350 22 LBS/100 PCS	W83562350 36 LBS/100 PCS	W83575350 54 LBS/100 PCS	W83587350 76 LBS/100 PCS
3-3/4"	W83537375 13 LBS/100 PCS	W83550375 24 LBS/100 PCS	W83562375 38 LBS/100 PCS	W83575375 57 LBS/100 PCS	W83587375 80 LBS/100 PCS
4"	W83537400 13 LBS/100 PCS	W83550400 25 LBS/100 PCS	W83562400 40 LBS/100 PCS	W83575400 60 LBS/100 PCS	W83587400 85 LBS/100 PCS

Material: Low Carbon Steel.

Finish: Plain

Ordering: Specify bolt diameter, bolt length; finish and series #. See Series W810 & W811 if hex nuts are required.

Function: Design to fasten devices together.

Available In: Electro-Galvanized, 304 & 316 Stainless Steel.

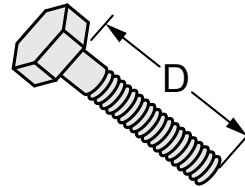
All standard hex head bolts are plain steel. For other finishes please specify finish type by adding the following suffix to the part #:

STAINLESS STEEL (304) = SS
 STAINLESS STEEL (316) = SS(316)
 ELECTRO-GALVANIZED = EG

Example:
 When Ordering 2" Long, 3/8" Size, 316 Stainless Steel Standard Hex Head Bolt the Part # Would Be: W835037200SS(316)

HEX HEAD BOLT – SERIES W836

-HEAVY DUTY-



SIZE (D)	DIAMETER OF HEX BOLT				
	3/8"	1/2"	5/8"	3/4"	7/8"
2"	W83637200 7 LBS/100 PCS	W83650200 14 LBS/100 PCS	W83662200 23 LBS/100 PCS	W83675200 35 LBS/100 PCS	-
2-1/4"	W83637225 8 LBS/100 PCS	W83650225 15 LBS/100 PCS	W83662225 25 LBS/100 PCS	W83675225 39 LBS/100 PCS	-
2-1/2"	W83637250 9 LBS/100 PCS	W83650250 17 LBS/100 PCS	W83662250 27 LBS/100 PCS	W83675250 42 LBS/100 PCS	W83687250 60 LBS/100 PCS
2-3/4"	W83637275 10 LBS/100 PCS	W83650275 18 LBS/100 PCS	W83662275 29 LBS/100 PCS	W83675275 45 LBS/100 PCS	W83687275 64 LBS/100 PCS
3"	W83637300 10 LBS/100 PCS	W83650300 20 LBS/100 PCS	W83662300 32 LBS/100 PCS	W83675300 48 LBS/100 PCS	W83687300 68 LBS/100 PCS
3-1/4"	W83637325 11 LBS/100 PCS	W83650325 21 LBS/100 PCS	W83662325 34 LBS/100 PCS	W83675325 51 LBS/100 PCS	W83687325 72 LBS/100 PCS
3-1/2"	W83637350 12 LBS/100 PCS	W83650350 22 LBS/100 PCS	W83662350 36 LBS/100 PCS	W83675350 54 LBS/100 PCS	W83687350 76 LBS/100 PCS
3-3/4"	W83637375 13 LBS/100 PCS	W83650375 24 LBS/100 PCS	W83662375 38 LBS/100 PCS	W83675375 57 LBS/100 PCS	W83687375 80 LBS/100 PCS
4"	W83637400 13 LBS/100 PCS	W83650400 25 LBS/100 PCS	W83662400 40 LBS/100 PCS	W83675400 60 LBS/100 PCS	W83687400 85 LBS/100 PCS

Material: Low Carbon Steel.

Finish: Plain

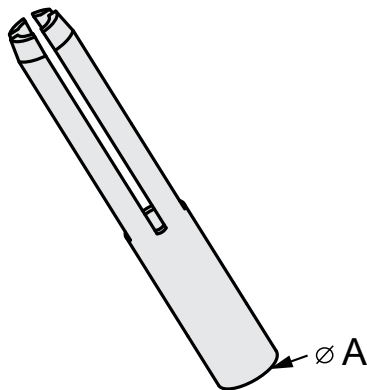
Ordering: Specify bolt diameter, bolt length; finish and series #. See Series W810 & W811 if hex nuts are required.

Function: Design to fasten devices together.

Available In: Electro-Galvanized (please add an EG after the part # to the left if this finish is required).

ANCHORS

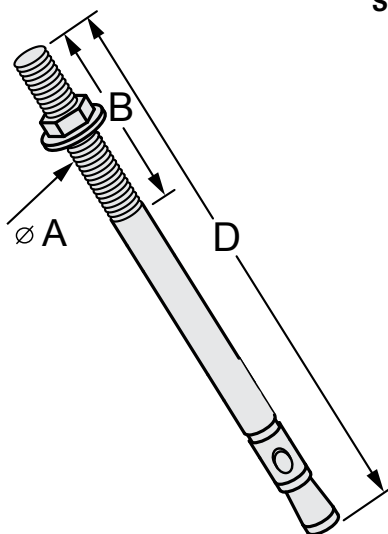
ANCHOR DROP-IN – SERIES W840



- Material:** Steel.
- Finish:** Electro-Galvanized.
- Ordering:** Specify bolt size; finish and series #.
- Function:** For use in concrete and stone with machine screw.

PART #	ANCHOR SIZE (A)	HOLE SIZE	THREADS DEPTH	CARTON QTY	LBS./100pcs
W840202	1/4"	3/8"	1/2"	100	2.88
W840203	3/8"	1/2"	5/8"	100	6.32
W840204	1/2"	5/8"	3/4"	50	11.56
W840205	5/8"	7/8"	1"	25	37.80
W840206	3/4"	1"	1-1/4"	25	48.00

WEDGE ANCHOR – SERIES W842



- Size Range:** 3/8" through 5/8" long
- Material:** Low Carbon Steel.
- Finish:** Electro-Galvanized.
- Ordering:** Specify rod size; length; and series #.
- Function:** Designed to be driven into a pre-drilled hole. The expansion of the case is controlled by the tightening of the nut, this eliminates the need for an exact hole size. Useful in applications where a high resistance to vibratory loads is desired.

Note: Please consult factory for length (D).

PART #	ROD SIZE (A)	MACHINE THREADS SIZE (B)	MINIMUM EMBEDMENT	WEIGHT PER EA.
W842203	3/8"	1-1/8"	1-5/8"	.03
W842204	1/2"	1-1/4"	2-1/4"	.06
W842205	5/8"	1-1/2"	2-3/4"	.11

SELF DRILLING SNAP-OFF FLUSH – SERIES W841

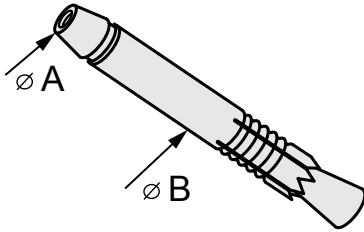
Size Range: 3/8" through 5/8" long

Material: Case Hardened Steel.

Finish: Electro-Galvanized.

Ordering: Specify rod size and series #.

Function: Designed to function as a drill, drilling its own hole and as an anchor. The tapered chuck end of the anchor is attached to an air hammer, then after drilling is complete, the tapered end snaps off leaving the anchor flush with the wall. Useful when a large number of anchors are to be installed.



PART #	ROD SIZE Ø (A)	OUTSIDE Ø SIZE (B)	THREAD DEPTH	HOLE DEPTH	WEIGHT PER EA.
W842203	3/8"	9/16"	9/16"	1-17/32"	.10
W842204	1/2"	11/16"	13/16"	2-1/32"	.18
W842205	5/8"	27/32"	15/16"	2-15/32"	.36

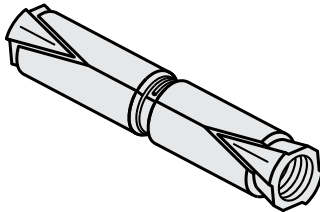
DOUBLE EXPANSION SHIELD – SERIES W850

Advantages/Features:

- Can be used for fastening into rock, concrete, brick, ect.
- Eliminates high stress points detrimental in fastening into materials of medium hardness, expands full & high gripping power.
- Ideal for sheer loads or where bolt is subject to side pressure or vibration.
- Does not fracture, and permits fastening at any length.

Installation Instructions:

1. Drill hole of recommended diameter (slightly deeper than length of shield).
2. Shield should be flush or slightly below surface of masonry. Place fixture. Insert machine bolt and tighten.
3. A deep setting increases holding power of masonry. If needed, place a pipe sleeve between shield & fixture being attached.

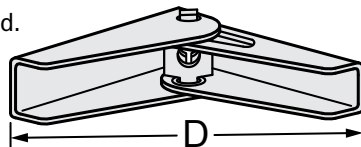


PART #	INTERNAL DIAMETER	HOLE SIZE	ANCHOR LENGTH	TENSILE STRENGTH	3000 PSI SHEAR STRENGTH	CARTON QTY	LBS./100pcs
W850202	1/4"	1/2"	1"	1850 lbs.	2780 lbs.	100	4
W850203	3/8"	3/4"	1-1/2"	3900 lbs.	4485 lbs.	50	14
W850204	1/2"	7/8"	2"	4600 lbs.	9300 lbs.	25	18
W850205	5/8"	1"	2-1/4"	5950 lbs.	13250 lbs.	25	25
W850206	3/4"	1-1/4"	2-7/8"	9350 lbs.	16200 lbs.	10	54

WING TOGGLE – SERIES W855

Finish: Electro-Galvanized.

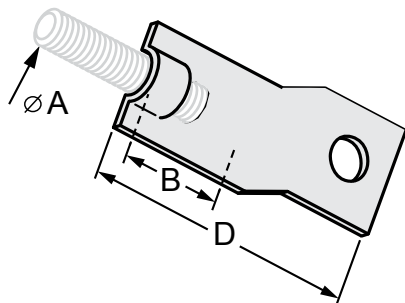
Ordering: Specify rod size and series #.



PART #	ROD SIZE	SIZE (D)	HOLE SIZE	LBS./100pcs
W855203	3/8"	3"	1"	7
W855204	1/2"	4-7/16"	1-1/4"	8

THREADED ACCESSORIES

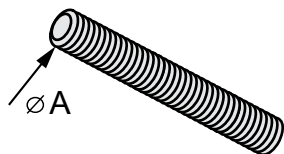
OFFSET EYE SOCKET – SERIES W830



Material: Low Carbon Steel
Finish: Plain & Electro Galvanized.
Ordering: Specify rod size and series #.

PART #	FINISH	ROD SIZE (A)	MAXIMUM PIPE SIZE	LAG SCREW SIZE	SIZE (B)	SIZE (D)	MAXIMUM RECOMMENDED LOAD(lbs.)	LBS./ 100pcs
W830103	PLAIN	3/8"	2"	3/8" X 2-1/2"	1"	2-5/8"	610	9
W830203	ELECTRO GALV	3/8"	2"	3/8" X 2-1/2"	1"	2-5/8"	610	9

THREADED ROD – SERIES W860



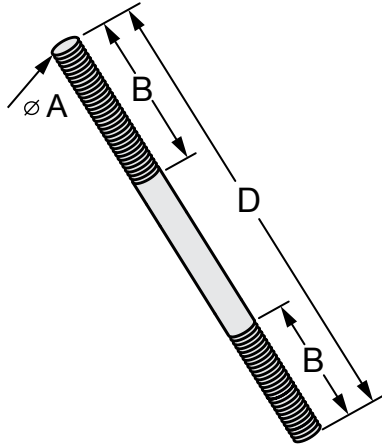
Material: Carbon steel, continuous thread.
Finish: Plain.
Ordering: Specify rod size; length; finish and series #.
Available In: Electro-Galvanized, 304 & 316 Stainless Steel.

PART #	ROD SIZE	MAXIMUM RECOMMENDED LOAD(lbs.)	LBS./ 100pcs
W860102	1/4"	240	12
W860103	3/8"	610	30
W860104	1/2"	1130	54
W860105	5/8"	1810	85
W860106	3/4"	2710	120
W860107	7/8"	3770	170

All threaded rods are plain steel. To order other finishes, change the 5th character in the Part # as seen below:
 STAINLESS STEEL (304) = 8
 STAINLESS STEEL (316) = 0
 ELECTRO-GALVANIZED = 2
 Example: **W860,2,02** = ELECTRO-GALV 2

MACHINE THREAD HANGER ROD – SERIES W853

-RIGHT HAND TRHEADS-



- Size Range:** 3/8" through 1" rod size
- Material:** Low Carbon Steel.
- Finish:** Plain.
- Ordering:** Specify rod size; length; finish and series #.
- Available In:** Electro-Galvanized, 304 & 316 Stainless Steel.
- Note:** Please Consult Factory for Length (D).

Thread hanger rods are plain steel. To order other finishes, change the 5th character in the Part # as seen below:

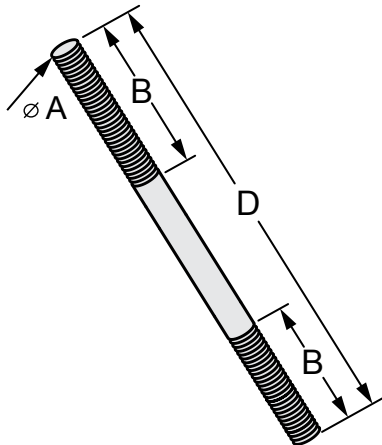
ELECTRO-GALVANIZED = 2
 STAINLESS STEEL (304) = 8
 STAINLESS STEEL (316) = 0

Example: **W863 2 03** = ELECTRO-GALV
 2

PART #	ROD SIZE (A)	MACHINE THREADS SIZE (B)	MAXIMUM REC. LOAD(lbs.)		LBS./ PER FT.
			650 F	750 F	
W863103	3/8"	2-1/2"	730	540	.37
W863104	1/2"	2-1/2"	1350	1010	.72
W863105	5/8"	2-1/2"	1810	1610	1.08
W863106	3/4"	3"	2710	2420	1.56
W863107	7/8"	3-1/2"	3770	3360	2.04
W863110	1"	4"	4960	4420	2.64

MACHINE THREAD HANGER ROD – SERIES W854

-RIGHT & LEFT HAND TRHEADS-



- Size Range:** 3/8" through 1" rod size
- Material:** Low Carbon Steel.
- Finish:** Plain.
- Ordering:** Specify rod size; length; finish and series #.
- Available In:** Electro-Galvanized, 304 & 316 Stainless Steel.
- Note:** Please Consult Factory for Length (D).

Thread hanger rods are plain steel. To order other finishes, change the 5th character in the Part # as seen below:

ELECTRO-GALVANIZED = 2
 STAINLESS STEEL (304) = 8
 STAINLESS STEEL (316) = 0

Example: **W864 2 03** = ELECTRO-GALV
 2

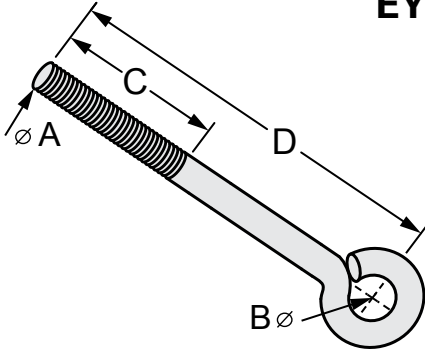
PART #	ROD SIZE (A)	MACHINE THREADS SIZE (B)	MAXIMUM REC. LOAD(lbs.)		LBS./ PER FT.
			650 F	750 F	
W864103	3/8"	2-1/2"	730	540	.37
W864104	1/2"	2-1/2"	1350	1010	.72
W864105	5/8"	2-1/2"	1810	1610	1.08
W864106	3/4"	3"	2710	2420	1.56
W864107	7/8"	3-1/2"	3770	3360	2.04
W864110	1"	4"	4960	4420	2.64

FITTINGS & ACCESSORIES

THREADED ACCESSORIES

EYE ROD – SERIES W866

-RIGHT HAND TRHEADS-

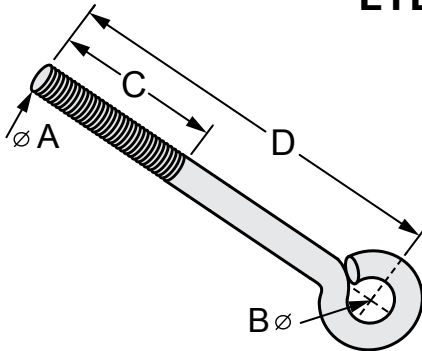


- Size Range:** 3/8" through 1" long
- Material:** Low Carbon Steel.
- Finish:** Plain.
- Ordering:** Specify rod size; length; finish and series #.
- Function:** Designed for use in hanger assemblies.
- Available In:** Electro-Galvanized, 304 & 316 Stainless Steel.

PART #	ROD SIZE (A)	Ø SIZE (B)	MACHINE THREADS SIZE (C)	MAX. REC. LOAD(lbs.) 650 F	WEIGHT EA. (in lbs.) TOTAL LENGTH (D)													
					8"	10"	12"	14"	18"	24"	30"	36"	42"	48"	54"	60"	66"	72"
W866103	3/8"	5/8"	2-1/2"	240	.32	.38	.44	.50	.63	.80	1.00	1.18	1.39	1.58	1.76	1.95	2.14	2.33
W866104	1/2"	3/4"	2-1/2"	440	.60	.70	.82	.94	1.16	1.50	1.83	2.17	2.49	2.83	3.16	3.49	3.83	4.06
W866105	5/8"	7/8"	2-1/2"	705	.97	1.14	1.31	1.49	1.84	2.36	2.88	3.40	3.92	4.44	4.96	5.48	6.00	6.52
W866106	3/4"	1"	3"	1050	1.44	1.68	1.94	2.19	2.68	3.44	4.17	4.94	5.70	6.45	7.20	7.95	8.70	9.45
W866107	7/8"	1-1/8"	3-1/2"	1470	2.04	2.32	2.68	3.02	3.73	4.72	5.74	6.79	7.81	8.83	9.85	10.87	11.89	12.91
W866110	1"	1-1/4"	4"	1940	2.67	3.11	3.56	4.00	4.89	6.78	8.18	8.89	10.48	11.87	13.19	14.51	15.91	17.25

EYE ROD – SERIES W867

- LEFT HAND TRHEADS-



- Size Range:** 3/8" through 1" long
- Material:** Low Carbon Steel.
- Finish:** Plain.
- Ordering:** Specify rod size; length; finish and series #.
- Function:** Designed for use in hanger assemblies.
- Available In:** Electro-Galvanized, 304 & 316 Stainless Steel.

PART #	ROD SIZE (A)	Ø SIZE (B)	MACHINE THREADS SIZE (C)	MAX. REC. LOAD(lbs.) 650 F	WEIGHT EA. (in lbs.) TOTAL LENGTH (D)													
					8"	10"	12"	14"	18"	24"	30"	36"	42"	48"	54"	60"	66"	72"
W867103	3/8"	3/8"	2-1/2"	240	.32	.38	.44	.50	.63	.80	1.00	1.18	1.39	1.58	1.76	1.95	2.14	2.33
W867104	1/2"	1/2"	2-1/2"	440	.60	.70	.82	.94	1.16	1.50	1.83	2.17	2.49	2.83	3.16	3.49	3.83	4.06
W867105	5/8"	5/8"	2-1/2"	705	.97	1.14	1.31	1.49	1.84	2.36	2.88	3.40	3.92	4.44	4.96	5.48	6.00	6.52
W867106	3/4"	3/4"	3"	1050	1.44	1.68	1.94	2.19	2.68	3.44	4.17	4.94	5.70	6.45	7.20	7.95	8.70	9.45
W867107	7/8"	7/8"	3-1/2"	1470	2.04	2.32	2.68	3.02	3.73	4.72	5.74	6.79	7.81	8.83	9.85	10.87	11.89	12.91
W867110	1"	1"	4"	1940	2.67	3.11	3.56	4.00	4.89	6.78	8.18	8.89	10.48	11.87	13.19	14.51	15.91	17.25

FITTINGS & ACCESSORIES

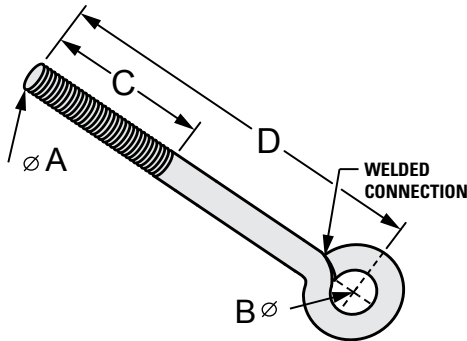
THREADED ACCESSORIES

G-FORCE®

Section 9

WELDED EYE ROD – SERIES W868

-RIGHT HAND TRHEADS-



Size Range: 3/8" through 1" long

Material: Low Carbon Steel.

Finish: Plain.

Ordering: Specify rod size; length; finish and series #.

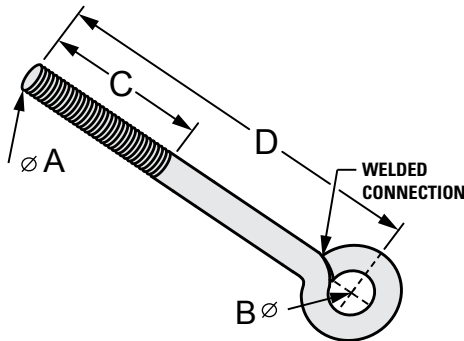
Function: Designed for use in hanger assemblies. Welded design allows the ey to develop the full strength of the rod.

Available In: Electro-Galvanized, 304 & 316 Stainless Steel.

PART #	ROD SIZE (A)	Ø SIZE (B)	MACHINE THREADS SIZE (C)	MAXIMUM REC. LOAD(lbs.)		WEIGHT EA. (in lbs.) TOTAL LENGTH (D)															
				650 F	750 F	8"	10"	12"	14"	18"	24"	30"	36"	42"	48"	54"	60"	66"	72"		
W868103	3/8"	3/8"	2-1/2"	730	540	.32	.38	.44	.50	.63	.80	1.00	1.18	1.39	1.58	1.76	1.95	2.14	2.33		
W868104	1/2"	1/2"	2-1/2"	1350	1010	.60	.70	.82	.94	1.16	1.50	1.83	2.17	2.49	2.83	3.16	3.49	3.83	4.06		
W868105	5/8"	5/8"	2-1/2"	1810	1610	.97	1.14	1.31	1.49	1.84	2.36	2.88	3.40	3.92	4.44	4.96	5.48	6.00	6.52		
W868106	3/4"	3/4"	3"	2710	2420	1.44	1.68	1.94	2.19	2.68	3.44	4.17	4.94	5.70	6.45	7.20	7.95	8.70	9.45		
W868107	7/8"	7/8"	3-1/2"	3770	3360	2.04	2.32	2.68	3.02	3.73	4.72	5.74	6.79	7.81	8.83	9.85	10.87	11.89	12.91		
W868110	1"	1"	4"	4960	4420	2.67	3.11	3.56	4.00	4.89	6.78	8.18	8.89	10.48	11.87	13.19	14.51	15.91	17.25		

WELDED EYE ROD – SERIES W869

-LEFT HAND TRHEADS-



Size Range: 3/8" through 1" long

Material: Low Carbon Steel.

Finish: Plain.

Ordering: Specify rod size; length; finish and series #.

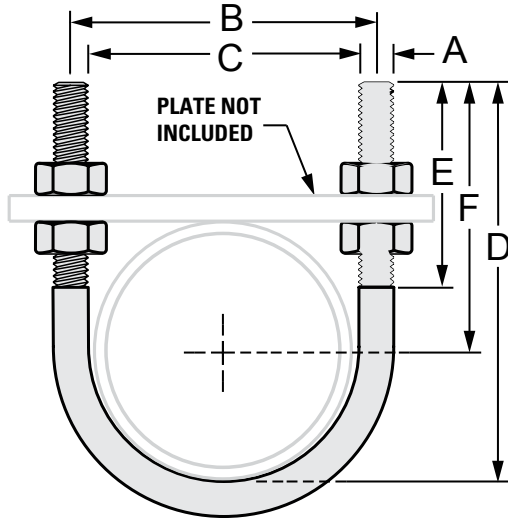
Function: Designed for use in hanger assemblies. Welded design allows the ey to develop the full strength of the rod.

Available In: Electro-Galvanized, 304 & 316 Stainless Steel.

PART #	ROD SIZE (A)	Ø SIZE (B)	MACHINE THREADS SIZE (C)	MAXIMUM REC. LOAD(lbs.)		WEIGHT EA. (in lbs.) TOTAL LENGTH (D)															
				650 F	750 F	8"	10"	12"	14"	18"	24"	30"	36"	42"	48"	54"	60"	66"	72"		
W869103	3/8"	3/8"	2-1/2"	730	540	.32	.38	.44	.50	.63	.80	1.00	1.18	1.39	1.58	1.76	1.95	2.14	2.33		
W869104	1/2"	1/2"	2-1/2"	1350	1010	.60	.70	.82	.94	1.16	1.50	1.83	2.17	2.49	2.83	3.16	3.49	3.83	4.06		
W869105	5/8"	5/8"	2-1/2"	1810	1610	.97	1.14	1.31	1.49	1.84	2.36	2.88	3.40	3.92	4.44	4.96	5.48	6.00	6.52		
W869106	3/4"	3/4"	3"	2710	2420	1.44	1.68	1.94	2.19	2.68	3.44	4.17	4.94	5.70	6.45	7.20	7.95	8.70	9.45		
W869107	7/8"	7/8"	3-1/2"	3770	3360	2.04	2.32	2.68	3.02	3.73	4.72	5.74	6.79	7.81	8.83	9.85	10.87	11.89	12.91		
W869110	1"	1"	4"	4960	4420	2.67	3.11	3.56	4.00	4.89	6.78	8.18	8.89	10.48	11.87	13.19	14.51	15.91	17.25		

THREADED ACCESSORIES

U-BOLT – SERIES W870



- Size Range:** 1/2" through 24" pipe sizes.
- Material:** Carbon steel.
- Finish:** Plain.
- Ordering:** Specify pipe size; finish and series #.
- Function:** Designed as a support, guide, or anchor for heavy loads.
- Available In:** Electro-Galvanized, Plain with PVC Coatings, 304 & 316 Stainless Steel.

All steel clevis' are plain steel To order other finishes, change the 5th character in the Part # as seen below:
 STAINLESS STEEL (304) = 8
 STAINLESS STEEL (316) = 0
 ELECTRO-GALVANIZED = 2
 PLAIN W/ PVC COATING = 5
 Example: **W870,104** = ELECTRO-GALV
 2

PART #	PIPE SIZE	SIZE (A)	SIZE (B)	SIZE (C)	SIZE (D)	SIZE (E)	SIZE (F)	CARTON QTY.	MAXIMUM REC. LOAD(lbs.)		LBS./ 100pcs
									650 F	750 F	
W870104	1/2"	1/4"	1-1/8"	1"	3-1/4"	2-3/8"	2-3/4"	100	1220	1090	23
W870106	3/4"	1/4"	1-3/8"	1-1/8"	3-1/4"	2-3/8"	2-3/4"	100	1220	1090	24
W870110	1"	1/4"	1-5/8"	1-3/8"	3-1/2"	2-3/8"	2-3/4"	100	1220	1090	26
W870112	1-1/4"	3/8"	2"	1-5/8"	3-3/4"	2-3/8"	2-7/8"	100	1220	1090	28
W870114	1-1/2"	3/8"	2-3/8"	2"	4"	2-1/2"	3"	100	1220	1090	29
W870120	2"	3/8"	2-3/4"	2-1/2"	4-1/2"	2-1/2"	3-1/4"	100	1220	1090	32
W870124	2-1/2"	1/2"	3-1/2"	3"	5-1/4"	3"	3-3/4"	50	2260	2020	68
W870130	3"	1/2"	4"	3-1/2"	5-3/4"	3"	4"	50	2260	2020	77
W870134	3-1/2"	1/2"	4-1/2"	4"	6-1/4"	3"	4-1/4"	50	2260	2020	82
W870140	4"	1/2"	5"	4-1/2"	6-3/4"	3"	4-1/2"	50	2260	2020	88
W870150	5"	1/2"	6-1/8"	5-5/8"	7-3/4"	3"	5"	50	2260	2020	93
W870160	6"	5/8"	7-3/8"	6-3/4"	9-1/2"	3-3/4"	6-1/8"	25	3620	3230	194
W870180	8"	5/8"	9-3/8"	8-3/4"	11-1/2"	3-3/4"	7-1/8"	20	3620	3230	236
W8701100	10"	3/4"	11-5/8"	10-7/8"	13-3/4"	4"	8-3/8"	10	5420	4830	489
W8701120	12"	7/8"	13-3/4"	12-7/8"	16"	4-1/4"	9-5/8"	5	7540	6730	776
W8701140	14"	7/8"	15"	14-1/8"	17-1/4"	4-1/4"	10-1/4"	5	7540	6730	832
W8701160	16"	7/8"	17"	16-1/8"	19-1/4"	4-1/4"	11-1/4"	2	7540	6730	919
W8701180	18"	1"	19-1/8"	18-1/8"	21-5/8"	4-3/4"	12-5/8"	2	9920	8850	1067
W8701200	20"	1"	21-1/8"	20-1/8"	23-5/8"	4-3/4"	13-5/8"	1	9920	8850	1474
W8701240	24"	1"	25-1/8"	24-1/8"	27-5/8"	4-3/4"	15-5/8"	1	9920	8850	1708

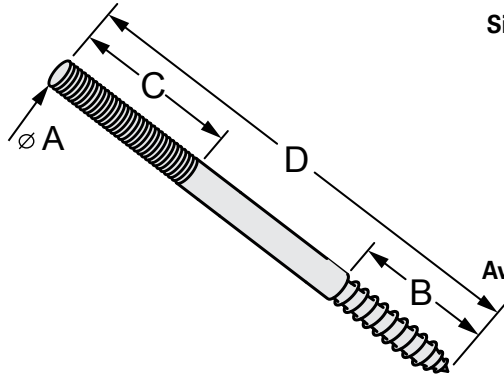
FITTINGS & ACCESSORIES

THREADED ACCESSORIES

G-FORCE®

Section 9

COACH SCREW ROD – SERIES W865

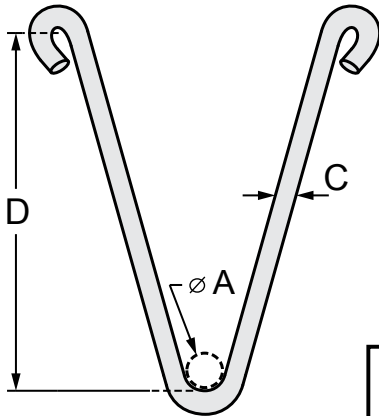


- Size Range:** 3-1/2" through 12" long
Material: Carbon Steel.
Finish: Plain.
Ordering: Specify length; finish and series #.
Function: Machined threaded on opposite end, designed for suspending pipe supports from wood structures.
Available In: Electro-Galvanized.

All coach screw rods are plain steel. To order other finishes, change the 5th character in the Part # as seen below:
 ELECTRO-GALVANIZED = 2
 Example: **W865 1'03** = ELECTRO-GALV 2

PART #	ROD SIZE (A)	COACH THREADS SIZE (B)	MACHINE THREADS SIZE (C)	MAXIMUM RECOMMENDED LOAD (lbs.)	WEIGHT EA. (in lbs.) TOTAL LENGTH (D)				
					4"	6"	8"	10"	12"
W865103	3/8"	2"	2"	390	.12	.19	.25	.31	.37
W865104	1/2"	2"	2-1/2"	460	.22	.34	.44	.56	.67

U-HOOK – SERIES W873

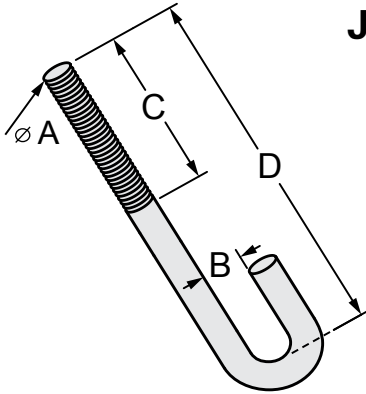


- Size Range:** 3/4" through 4" pipe size
Material: Low Carbon Steel.
Finish: Plain.
Ordering: Specify pipe size; length; finish and series #.
Function: Designed for the suspension of pipe below wood structures.
Available In: Electro-Galvanized, 304 & 316 Stainless Steel.

All u-hooks are plain steel. To order other finishes, change the 5th character in the Part # as seen below:
 STAINLESS STEEL (304) = 8
 STAINLESS STEEL (316) = 0
 ELECTRO-GALVANIZED = 2
 Example: **W873 1'06** = ELECTRO-GALV 2

PART #	Ø PIPE SIZE (A)	SIZE (C)	MAXIMUM RECOMMENDED LOAD (lbs.)	WEIGHT EA. (in lbs.) TOTAL LENGTH (D)										
				6"	8"	10"	12"	14"	16"	18"	20"	24"		
W873106	3/4"	5/16"	250	.36	.45	.54	.62	.71	.80	.81	.96	1.08		
W873110	1"	5/16"	250	.37	.46	.55	.62	.72	.81	.82	.98	1.16		
W873112	1-1/4"	5/16"	250	.37	.47	.55	.64	.73	.82	.90	.99	1.16		
W873114	1-1/2"	5/16"	250	.38	.47	.56	.65	.73	.83	.92	1.00	1.17		
W873120	2"	5/16"	250	.41	.49	.58	.67	.76	.85	.93	1.02	1.19		
W873124	2-1/2"	3/8"	320	.59	.72	.84	.97	1.09	1.22	1.34	1.47	1.73		
W873130	3"	3/8"	320	.60	.73	.85	.98	1.10	1.23	1.35	1.48	1.73		
W873134	3-1/2"	1/2"	560	1.14	1.36	1.59	1.81	2.03	2.25	2.48	2.70	3.15		
W873140	4"	1/2"	560	1.17	1.39	1.61	1.84	2.06	2.28	2.50	2.73	3.17		

THREADED ACCESSORIES



J-BEAM BOLT – SERIES W871

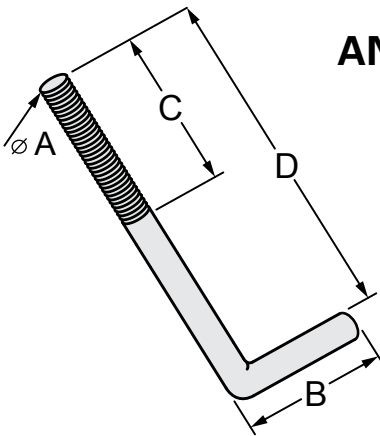
- Size Range:** 3/8" through 7/8" long
- Material:** Low Carbon Steel.
- Finish:** Plain.
- Ordering:** Specify rod size; length; finish and series #.
- Function:** Designed to provide a means of supporting pipe from the top flange of a beam. Useful in applications where headroom is limited.
- Available In:** Electro-Galvanized, 304 & 316 Stainless Steel.

All j-beam bolts are plain steel. To order other finishes, change the 5th character in the Part # as seen below:

STAINLESS STEEL (304) = 8
 STAINLESS STEEL (316) = 0
 ELECTRO-GALVANIZED = 2

Example: **W871, 2 03** = ELECTRO-GALV 2

PART #	ROD SIZE (A)	Ø SIZE (B)	MACHINE THREADS SIZE (C)	MAX. REC. LOAD(lbs.)	WEIGHT EA. (in lbs.) TOTAL LENGTH (D)							
					4"	5"	6"	7"	8"	10"	12"	
W871103	3/8"	2"	1/2"	240	.19	.22	.25	.28	.32	.38	.44	
W871104	1/2"	2"	5/8"	440	.33	.39	.45	.50	.56	.67	.78	
W871105	5/8"	2-1/2"	3/4"	705	.52	.60	.70	.78	.87	1.00	1.20	
W871106	3/4"	2-1/2"	7/8"	1050	.75	.88	1.00	1.10	1.26	1.50	1.75	
W871107	7/8"	2-1/2"	1"	1500	1.02	1.20	1.35	1.53	1.70	2.00	2.40	



ANCHOR BOLT – SERIES W872

- Size Range:** 3/8" through 1" long
- Material:** Low Carbon Steel.
- Finish:** Plain.
- Ordering:** Specify rod size; length; finish and series #.
- Function:** Designed to be embedded in concrete to provide a means for fastening devices from concrete surfaces.
- Available In:** Electro-Galvanized, 304 & 316 Stainless Steel.

All anchor bolts are plain steel. To order other finishes, change the 5th character in the Part # as seen below:

STAINLESS STEEL (304) = 8
 STAINLESS STEEL (316) = 0
 ELECTRO-GALVANIZED = 2

Example: **W872, 2 03** = ELECTRO-GALV 2

PART #	ROD SIZE (A)	Ø SIZE (B)	MACHINE THREADS SIZE (C)	WEIGHT EA. (in lbs.) TOTAL LENGTH (D)			
				6"	8"	10"	12"
W872103	3/8"	2"	2"	.28	.34	.40	.46
W872104	1/2"	2"	2"	.52	.63	.75	.58
W872105	5/8"	2-1/2"	2-1/2"	.81	.99	1.16	1.34
W872106	3/4"	2-3/4"	2-1/2"	1.18	1.44	1.69	1.94
W872107	7/8"	3"	2-1/2"	1.69	2.00	2.39	2.70
W872110	1"	3-1/2"	3"	2.50	3.00	3.47	4.30

FITTINGS & ACCESSORIES

SECTION 10

G-FORCE® CROSS REFERENCE

Cross Reference By Product Code

A listing of comparative product part numbers is supplied for your convenience. The codes listed are for comparison only, and products may not be completely identical. Any part not identified in the G-Strut catalog is available by referring to other manufacturers' product numbers. Parts may also be ordered for manufacturers who are not included in this catalog. Consult factory or your sales representative.

INDUSTRY PRODUCT CODE CROSS REFERENCE

(GREGORY) G-FORCE	(ANVIL) ANVIL STRUT	(COOPER/EATON) B-LINE	CARPENTER & PATERSON, INC.	(ELITE) ELITE COMPONENTS	(ERICO) ERI-STRUT	(EMPIRE) EMPIRE INDUSTRIES	(GS METALS) GLOBE STRUT	(PHD MFG) PHD STRUT	(TOLCO) TOLCO
UNIVERSAL BEAM CLAMP - MALLEABLE									
W100	FIG. 92	B3034 (3/8" - 3/4" ONLY)	FIG. 192	MODEL BC1	300	FIG. 62	100 SERIES	FIG. 350	FIG. 65
SILVERHAWK TOP BEAM CLAMP									
W105	N/A	N/A	N/A	N/A	N/A	N/A	103 SERIES	N/A	N/A
WIDE THROAT BEAM CLAMP - MALLEABLE									
W110	FIG. 93 FIG. 94	B3033 (3/8" - 3/4" ONLY)	FIG. 192W	MODLE BC2	310	FIG. 61	110 SERIES	N/A	FIG. 66
RETAINING STRAP									
W115	FIG. 89	B351L B3036L	FIG. 196	N/A	255C	N/A	755 SERIES	N/A	N/A
W116	FIG. 89	B351L B3036L	FIG. 47	N/A	255C	N/A	756 SERIES	N/A	N/A
W117	FIG. 89X	FIG. 69	FIG. 192RS	N/A	300C	N/A	745 SERIES	N/A	FIG. 69
W118	N/A	B321	N/A	N/A	BC09	N/A	N/A	N/A	N/A
PIPE ALIGNMENT / ASSEMBLY									
W120	FIG. 255	B3281 B3287	FIG. 1006	N/A	650	FIG. 255	102 SERIES	N/A	FIG. 420 FIG. 422
PIPE SLIDE ASSEMBLY									
W121	FIG. 257 (TYPE 1) FIG. 436 (TYPE 1)	B3891	FIG. 1010	N/A	N/A	FIG. 4000	N/A	FIG. 690	FIG. 426
W122	FIG. 257 (TYPE 2) FIG. 436 (TYPE 2)	B3892	FIG. 1010	N/A	N/A	FIG. 4000	N/A	FIG. 690	N/A
W123	FIG. 257 (TYPE 3) FIG. 436 (TYPE 3)	B3893	FIG. 1010	N/A	N/A	FIG. 4000	N/A	FIG. 690	N/A
W124	FIG. 257 (TYPE 4) FIG. 436 (TYPE 4)	B3894	N/A	N/A	N/A	N/A	N/A	FIG. 690	N/A
W125	FIG. 257 (TYPE 5) FIG. 436 (TYPE 5)	B3895	N/A	N/A	N/A	N/A	N/A	FIG. 690	N/A
W126	FIG. 257 (TYPE 6) FIG. 436 (TYPE 6)	B3896	N/A	N/A	N/A	N/A	N/A	FIG. 690	N/A
W127	N/A	B3897	N/A	N/A	N/A	N/A	N/A	FIG. 690	N/A
ROD or INSULATOR									
W130	N/A	N/A	N/A	MODEL BC5	N/A	FIG. 63	130 SERIES	N/A	N/A
PURLIN CLAMP									
W140	N/A	B3037	FIG. 290	MODLEL BC3	315	N/A	125 SERIES	N/A	N/A
STEEL C-CLAMP									
W200	N/A	B351L	N/A	N/A	255	N/A	200 SERIES	N/A	N/A
W201	FIG. 95 (3/8" - 1/2" ONLY)	B351L	FIG. 196	N/A	255L	N/A	N/A	N/A	N/A
W210	FIG. 88	B3036L	FIG. 238	N/A	N/A	N/A	210 SERIES	N/A	N/A
W211	FIG. 95	B3036L	FIG. 238	N/A	200	FIG. 21L	N/A	FIG. 250	FIG. 64
SUPER STEEL "C" CLAMP									
W215	N/A	FIG. 67SS	N/A	MODEL BC6	547 / 548	N/A	540 SERIES	N/A	N/A
W216	N/A	FIG. 67SS	N/A	MODEL BC6	N/A	N/A	N/A	N/A	N/A
W217	N/A	FIG. 67SS	N/A	MODEL BC6	N/A	N/A	N/A	N/A	N/A
CENTER LOAD BEAM CLAMP - STANDARD DUTY									
W220	FIG. 133 FIG. 134	B2050	FIG. 15	N/A	361 (4" - 8" ONLY)	FIG. 218	220 SERIES	FIG. 610 FIG. 620	FIG. 62
CENTER LOAD BEAM CLAMP - HEAVY DUTY									
W225	FIG. 134	N/A	N/A	N/A	N/A	N/A	220 SERIES	N/A	N/A
ADJUSTABLE STEEL BEAM CLAMP									
W226	FIG. 227	B3040	FIG. 45	N/A	363	FIG. 159	730 SERIES	N/A	FIG. 60 FIG. 336
STEEL CENTER LOAD BEAM CLAMP									
W227	N/A	B3055	FIG. 268	N/A	N/A	FIG. 155	N/A	N/A	N/A
MALLEABLE BEAM CLAMP									
W230	FIG. 218	B3054	FIG. 230	MODEL BC7	360	FIG. 229	246 SERIES	N/A	FIG. 329
PIPE SADDLE SUPPORT									
W240	FIG. 191	B3098	N/A	N/A	N/A	N/A	296 SERIES	N/A	N/A
PIPE SADDLE SUPPORT - WITH STUD									
W245	FIG. 192	B3096	FIG. 137	N/A	722	FIG. 422	N/A	FIG. 874	FIG. 312

* Accessories measurements may not be an exact match.

INDUSTRY PRODUCT CODE CROSS REFERENCE

G-FORCE®

Section 10

(GREGORY) G-FORCE	(ANVIL) ANVIL STRUT	(COOPER/EATON) B-LINE	CARPENTER & PATERSON, INC.	(ELITE) ELITE COMPONENTS	(ERICO) ERI-STRUT	(EMPIRE) EMPIRE INDUSTRIES	(GS METALS) GLOBE STRUT	(PHD MFG) PHD STRUT	(TOLCO) TOLCO
PIPE SADDLE SUPPORT - HEAVY DUTY - WITH U-BOLT									
W250	FIG. 259	B3090	FIG. 125	N/A	721	FIG. 425	297 SERIES	N/A	FIG. 318
ADJUSTABLE PIPE SADDLE SUPPORT - WITH U-BOLT									
W255	FIG. 265	B3092	FIG. 101U	N/A	724	FIG. 427	N/A	FIG. 876	FIG. 313 FIG. 318A
PIPE SADDLE SUPPORT - HEAVY DUTY									
W260	FIG. 258	N/A	N/A	N/A	N/A	N/A	298 SERIES	N/A	N/A
W261	FIG. 258	N/A	N/A	N/A	N/A	N/A	N/A	FIG. 880	N/A
ADJUSTABLE PIPE SADDLE SUPPORT									
W265	FIG. 264	B3093	FIG. 101	N/A	723	FIG. 425, FIG. 426 & 427	N/A	FIG. 875	FIG. 315 FIG. 317A
PIPE SADDLE SUPPORT - WITH COUPLING									
W270	N/A	B3095	FIG. 136	N/A	N/A	FIG. 421	675 SERIES	FIG. 870	FIG. 317
THREADED PIPE STAND									
W275	FIG. 63 (1" - 6")	B3088T	FIG. 138	N/A	N/A	N/A	N/A	FIG. 871	FIG. 316T
PIPE SUPPORT ADJUSTER									
W276	N/A	B3089	N/A	N/A	N/A	N/A	N/A	FIG. 877	N/A
WALL BRACKET - LIGHT DUTY									
W280	FIG. 194	B3086	FIG. 69	N/A	348	FIG. 820	N/A	FIG. 850	FIG. 30
WALL BRACKET CLIP									
W281	N/A	N/A	FIG. 78	N/A	350	FIG. 820C	N/A	FIG. 850C	N/A
WALL BRACKET - MEDIUM DUTY									
W290	FIG. 195	B3066	FIG. 84	N/A	352	FIG. 801	N/A	FIG. 855	FIG. 30M
WALL BRACKET - HEAVY DUTY									
W291	FIG. 199	B3067	FIG. 139	N/A	353	FIG. 802	N/A	FIG. 860	FIG. 30H
IRON PIPE SWIVEL RING									
W300 NO WASHER	FIG. 69	B3170	FIG. 800	MODEL 3000	100	FIG. 31	300 SERIES	FIG. 151	FIG. 2
W301 CLEAR WASHER	N/A	N/A	N/A	N/A	N/A	N/A	N/A	N/A	N/A
W302 BLUE WASHER	N/A	N/A	N/A	N/A	N/A	N/A	N/A	N/A	N/A
W305 NO WASHER	N/A	N/A	N/A	N/A	N/A	N/A	304 SERIES	N/A	N/A
W306 CLEAR WASHER	N/A	N/A	N/A	N/A	N/A	N/A	N/A	N/A	N/A
W307 BLUE WASHER	N/A	N/A	N/A	N/A	N/A	N/A	N/A	N/A	N/A
IRON PIPE SWIVEL RING HANGER - WITH SECURED INSULATION SHIELD									
W303	N/A	N/A	N/A	N/A	103	N/A	N/A	FIG. 155	N/A
COPPER TUBING SWIVEL RING									
W310	N/A	N/A	FIG. 800CT	MODEL 3100	101	FIG. 310CT	301 SERIES	N/A	FIG. 202
IRON PIPE SWIVEL RING - PVC COATED									
W320	N/A	B3170CTC	FIG. 800PVC	N/A	102	FIG. 310	302 SERIES	N/A	FIG. 203
COPPER TUBING SWIVEL RING - PVC COATED									
W325	N/A	B3170CT	N/A	N/A	102A	FIG. 310CTI	303 SERIES	N/A	N/A
STAINLESS STEEL BAND HANGER									
W330	N/A	B3172	N/A	N/A	105	N/A	305 SERIES	FIG. 180	FIG. 2WON
CONDUIT J-TYPE HANGER									
W340	FIG. 67 (1/2" - 6")	B3690	N/A	MODEL 3600	418	N/A	306 SERIES	FIG. 970	FIG. 3
STANDARD CLEVIS HANGER - PVC COATED									
W400	N/A	B3100C	FIG. 100PVC	N/A	400	FIG. 110PC	402 SERIES	FIG. 453	FIG. 1PVC
COPPER CLEVIS HANGER - PVC COATED									
W405	FIG. CT-65 (NOT COATED)	B3104CTC	N/A	MODEL 4400	N/A	FIG. 110CTI	403 SERIES	N/A	N/A
STANDARD CLEVIS HANGER									
W410	FIG. 260 (1/2" - 30")	B3100	FIG. 100	MODEL 4000	400	FIG. 11	404 SERIES	450	FIG. 1
W411	N/A	B3109	N/A	N/A	N/A	N/A	404 SERIES	N/A	N/A
CLEVIS HANGER - WITH SECURED INSULATION SHIELD									
W412	N/A	N/A	FIG. 100SH	N/A	403	N/A	N/A	FIG. 455	N/A

* Accessories measurements may not be an exact match.



INDUSTRY PRODUCT CODE CROSS REFERENCE

(GREGORY) G-FORCE	(ANVIL) ANVIL STRUT	(COOPER/EATON) B-LINE	CARPENTER & PATERSON, INC.	(ELITE) ELITE COMPONENTS	(ERICO) ERI-STRUT	(EMPIRE) EMPIRE INDUSTRIES	(GS METALS) GLOBE STRUT	(PHD MFG) PHD STRUT	(TOLCO) TOLCO
PLASTIC PIPE CLEVIS HANGER									
W413	N/A	B3106	FIG. 200VT	N/A	N/A	N/A	N/A	FIG. 450V	FIG. 1V
STANDARD CLEVIS HANGER - EXTENDED BOTTOM									
W415	FIG. 300	B3108	FIG. 100EL	N/A	415	FIG. 11X	405 SERIES	FIG. 430	FIG. 1A
LIGHT DUTY CLEVIS HANGER									
W420	FIG. 65	B3104	FIG. 200	MODEL 4200	420	FIG. 110	407 SERIES	N/A	N/A
COPPER CLEVIS HANGER									
W430	FIG. CT-65	B3104CT	FIG. 100CT	N/A	402	FIG. 110CT	411 SERIES	FIG. 422	FIG. 81
IRON PIPE RISER CLAMP									
W500	FIG. 261	B3373	FIG. 126	MODEL 6300	CADDY EZ RISER - 510	FIG. 50	500 SERIES	FIG. 550	FIG. 6
TWO BOLT UNDERGROUND PIPE CLAMP									
W501	N/A	B3132	N/A	N/A	517	FIG. 97	N/A	FIG. 580	FIG. 9
FOUR BOLT UNDERGROUND PIPE CLAMP									
W502	FIG. 595	B3134	FIG. 158DB	N/A	N/A	FIG. 595	N/A	FIG. 590	FIG. 14
UNDERGROUND CLAMP WASHERS									
W503	FIG. 599	B3132W	FIG. 258	N/A	516	FIG. 599	N/A	FIG. 585	FIG. 9X
W504	N/A	N/A	N/A	N/A	N/A	FIG. 599	N/A	FIG. 580	FIG. 14X
COPPER TUBING RISER CLAMP									
W505	FIG. CT-121	B3373CT	FIG. 126CT	MODEL 6400	511	FIG. 50CT	501 SERIES	FIG. 552	FIG. 82
SINGLE BOLT PIPE CLAMP									
W510	FIG. 212	B3140	FIG. 175	MODEL 6100	450	FIG. 212	550 SERIES	FIG. 520	FIG. 4
HEAVY DUTY PIPE CLAMP									
W511	FIG. 216	B3142	FIG. 298	N/A	451	FIG. 216	N/A	FIG. 522	FIG. 4H
DOUBLE BOLT PIPE CLAMP									
W520	FIG. 295	B3144	FIG. 304	N/A	452	FIG. 189	560 SERIES	FIG. 525	FIG. 5
W521	FIG. 295 (1-1/2" - 24")	N/A	FIG. 91	N/A	452	FIG. 189	N/A	FIG. 525	N/A
IRON PIPE RISER CLAMP - PVC COATED									
W530	N/A	B3373C	FIG. 126PVC	N/A	520	FIG. 49PC	502 SERIES	FIG. 553	FIG. 6PVC
OFFSET PIPE CLAMP									
W540	FIG. 103 (3/4" - 8")	B3148	FIG. 179	N/A	700	FIG. 95	504 SERIES	FIG. 535	FIG. 7
EXTENDED PIPE CLAMP									
W550	FIG. 100	B3149	FIG. 267	N/A	705	FIG. 97	505 SERIES	N/A	FIG. 8
INSULATION PROTECTION SHIELD									
W560	FIG. 167	B3151	FIG. 265P	MODEL 1250	125	FIG. 167 FIG. 167MSS	590 SERIES	FIG. 170	FIG. 220
SELF CENTERING INSULATION SHIELD									
W561	FIG. 168	N/A	N/A	N/A	121	N/A	N/A	FIG. 160	FIG. 219
PLASTIC PIPE SUPPORT THROUGH									
W562	N/A	B3106V	FIG. 200VT	N/A	VTR	N/A	N/A	FIG. 450T	N/A
PIPE COVERING PROTECTION SADDLE									
W570	FIG. 160 to FIG. 166A	N/A	FIG. 351 to FIG. 357Z	N/A	630, 631, 632, 633, 634 & 635	FIG. 1900 to FIG. 1905	595 SERIES	FIG. 651	FIG. 260-1, 261-1/2, 262-2, 263-2-1/2, 264-3, 265-4
SURGE RESTRAINT									
W580	FIG. 773	N/A	N/A	N/A	N/A	N/A	N/A	FIG. 055	N/A
SURGE RING HANGER									
W581	N/A	N/A	N/A	N/A	CDCP-SERIES	N/A	626 SERIES	N/A	N/A
I.S.P. FELT INSULATOR									
W585	N/A	B3195	N/A	N/A	N/A	N/A	N/A	FIG. 980	FIG. 84
COPPER TUBING FELT INSULATOR									
W586	N/A	B3195CT	N/A	N/A	N/A	N/A	N/A	FIG. 982	FIG. 83
CAST IRON PIPE ROLLER									
W600	N/A	N/A	FIG. 173	MODEL 609	N/A	N/A	600 SERIES	N/A	N/A

* Accessories measurements may not be an exact match.

INDUSTRY PRODUCT CODE CROSS REFERENCE

G-FORCE®

Section 10

(GREGORY) G-FORCE	(ANVIL) ANVIL STRUT	(COOPER/EATON) B-LINE	CARPENTER & PATERSON, INC.	(ELITE) ELITE COMPONENTS	(ERICO) ERI-STRUT	(EMPIRE) EMPIRE INDUSTRIES	(GS METALS) GLOBE STRUT	(PHD MFG) PHD STRUT	(TOLCO) TOLCO
SHORT PIPE ROLLER									
W601	N/A	N/A	FIG. 67	N/A	N/A	N/A	N/A	FIG. 485	N/A
ADJUSTABLE ROLLER HANGER									
W610	FIG. 181	B3110	FIG. 140	MODEL 610	610	FIG. 272	601 SERIES	N/A	FIG. 324
CHAIR TYPE ROLLER SUPPORT									
W620	FIG. 175	B3120	FIG. 54	N/A	615	FIG. 275	602 SERIES	FIG. 460	FIG. 325
PIPER ROLLER STAND									
W621	N/A	B3117SL	N/A	N/A	N/A	N/A	N/A	FIG. 486	N/A
W622	FIG. 271	N/A	N/A	N/A	617	N/A	N/A	FIG. 486	FIG. 327
ADJUSTABLE PIPE ROLLER STAND - WITH BASE									
W623	FIG. 274, 274P & FIG. 275	B3118SL	FIG. 53	N/A	619	FIG. 279S	N/A	FIG. 487	FIG. 328
TWO ROD TYPE ROLLER HANGER									
W630	FIG. 171	N/A	FIG. 142	MODEL 689	605	FIG. 277	603 SERIES	N/A	FIG. 322
ADJUSTABLE TYPE ROLLER SUPPORT									
W640	FIG. 177	B3122	FIG. 109	N/A	620	FIG. 274	604 SERIES	N/A	FIG. 326
ADJUSTABLE PIPE ROLLER SUPPORT									
W641	N/A	N/A	FIG. 110	N/A	621	FIG. 271	N/A	FIG. 483	FIG. 323
ROLLER SOCKET									
W642	N/A	N/A	N/A	MODEL 609	N/A	N/A	N/A	FIG. 496	N/A
CPVC ONE-HOLE WRAP AROUND STRAP									
W650	FIG. 185	FIG. 22	N/A	MODEL 1070	107	N/A	624 SERIES	N/A	FIG. 22
RETURN LINE STRAIGHT J-HOOK									
W651	N/A	B3191	FIG. 227S	N/A	N/A	FIG. 145	N/A	FIG. 810	FIG. 41
RETURN LINE OFFSET J-HOOK									
W652	N/A	B3190	FIG. 227	N/A	457	FIG. 146	N/A	FIG. 820	FIG. 40
ONE-HOLE CLIP									
W655	FIG. 126	N/A	FIG. 237S	N/A	007	FIG. 233	754 SERIES	N/A	N/A
TWO-HOLE CPVC STRAP									
W660	FIG. 186	FIG. 23	N/A	MODEL 1080	108	N/A	623 SERIES	N/A	FIG. 23
TWO-HOLE PIPE STRAP									
W665	FIG. 262	B3180	FIG. 114	N/A	N/A	FIG. 231	743 SERIES	FIG. 825	FIG. 20
SHORT PIPE STRAP									
W670	N/A	N/A	N/A	N/A	N/A	N/A	507 SERIES	N/A	N/A
W671	N/A	B3256	N/A	N/A	N/A	FIG. 180	507 SERIES	FIG. 830	FIG. 20S FIG. 405
CPVC TWO-HOLE 90 DEGREES SIDE MOUNT STRAP									
W680	FIG. 187	FIG. 24	N/A	MODEL 1090	109	N/A	625 SERIES	N/A	FIG. 24
FORGED STEEL CLEVIS									
W700	FIG. 299	B3201	FIG. 276	N/A	31	FIG. 909	705 SERIES	FIG. 38	FIG. 332
FORGED STEEL CLEVIS - RIGHT HAND THREADS									
W701	N/A	N/A	FIG. 276P	N/A	31	FIG. 909	N/A	FIG. 38	N/A
FORGED STEEL CLEVIS - LEFT HAND THREADS									
W702	N/A	N/A	N/A	N/A	N/A	N/A	N/A	FIG. 38L	N/A
TURN BUCKLE ADJUSTER									
W705	FIG. 114	B3224	FIG. 38	N/A	N/A	N/A	706A SERIES	N/A	FIG. 306
TURNBUCKLE									
W710	FIG. 230	B3202	FIG. 132	N/A	30	FIG. 320	706 SERIES	FIG. 960	FIG. 331
FORGED STEEL WELDLESS EYE NUT									
W715	FIG. 290	B3200	FIG. 279	N/A	35	FIG. 131	708 SERIES	FIG. 35	FIG. 330
MALLEABLE EYE SOCKET									
W720	FIG. 110R	B3222	FIG. 12	N/A	35	FIG. 47	709 SERIES	FIG. 32	FIG. 307
SIDE BEAM CONNECTOR									
W725	N/A	B3058	FIG. 153	N/A	327	FIG. 153	720 SERIES	N/A	N/A
REVERSIBLE ANGLE BRACKET									
W728	N/A	B3061	FIG. 152	N/A	319	FIG. 53	N/A	FIG. 910	FIG. 42

* Accessories measurements may not be an exact match.

INDUSTRY PRODUCT CODE CROSS REFERENCE

(GREGORY) G-FORCE	(ANVIL) ANVIL STRUT	(COOPER/EATON) B-LINE	CARPENTER & PATERSON, INC.	(ELITE) ELITE COMPONENTS	(ERICO) ERI-STRUT	(EMPIRE) EMPIRE INDUSTRIES	(GS METALS) GLOBE STRUT	(PHD MFG) PHD STRUT	(TOLCO) TOLCO
EXTENSION PIECE									
W730	FIG. 157	B3203	FIG. 157	N/A	26	FIG. 157	707 SERIES	N/A	FIG. 333
STEEL SIDE BEAM BRACKET									
W735	FIG. 202	B3060	FIG. 303	N/A	325	FIG. 202	719 SERIES	N/A	FIG. 50
REVERSIBLE STEEL SIDE ANGLE BRACKET									
W736	N/A	B3070	N/A	N/A	326	N/A	N/A	FIG. 925	FIG. 52
SQUARE PLATE WASHER									
W737	FIG. 60	B3248	FIG. 260	N/A	340	N/A	N/A	FIG. 960	FIG. 118
WELDING LUG									
W738	N/A	B3080S (ROUNDED)	FIG. 220	N/A	N/A	FIG. 69 (SHORT)	N/A	FIG. 936	FIG. 343
WELDING LUG - LONG									
W739	N/A	B3080L (ROUNDED)	FIG. 220	N/A	N/A	FIG. 69 (LONG)	N/A	FIG. 395	N/A
WELDED BEAM ATTACHMENT									
W740	N/A	B3083W0	FIG. 113A	N/A	320L	FIG. 66L	724 SERIES	FIG. 900-1	FIG. 304
CONCRETE ROD ATTACHMENT PLATE									
W741	FIG. 52	B3085	FIG. 1020	N/A	374A	FIG. 68	N/A	FIG. 903	FIG. 35
WELDING ATTACHMENT - WITH PIN									
W745	FIG. 66	B3083	FIG. 113B	N/A	320W	FIG. 66W	724 SERIES	FIG. 900	FIG. 305
CONCRETE CLEVIS PLATE									
W746	FIG. 49	B3086	FIG. 1022	N/A	374	FIG. 67	N/A	FIG. 904	FIG. 34
CEILING FLANGE									
W750	FIG. 128R	FIG. 78	FIG. 85B	MODEL 3700	365M	FIG. 41A	723 SERIES	N/A	FIG. 78
ADJUSTABLE Q-DECK INSERT									
W751	N/A	B3019	N/A	N/A	307A	N/A	N/A	FIG. 885	FIG. 109A
SEISMIC BRACE									
W752	N/A	FIG. 975	N/A	N/A	TP280	N/A	N/A	FIG. 890	FIG. 975
VAN HANGER									
W755	N/A	N/A	FIG. 66CT	N/A	BH	FIG. 129CT	732 SERIES	N/A	N/A
HINGED SPLIT RING HANGER									
W760	FIG. 108	B3198H	FIG. 81BRT	MODEL 5000	455	FIG. 41H	721 SERIES	N/A	FIG. 302
EXTENSION SPLIT RING HANGER									
W761	FIG. 138R	B3198R	N/A	MODEL 5300	N/A	FIG. 41	N/A	FIG. 510R	N/A
COPPER SPLIT RING HANGER									
W765	FIG. CT-138R	B3198HCT	FIG. 81CT	MODEL 5200	465	FIG. 41HCT	722 SERIES	FIG. 512H	FIG. 301CT
RIGHT ANGLE CLAMP									
W770	N/A	N/A	FIG. 282	N/A	RA	FIG. 136	780 SERIES	N/A	N/A
PARALLEL CONDUIT SUPPORT									
W780	N/A	N/A	N/A	N/A	PAR	N/A	781 SERIES	N/A	N/A
EDGE TYPE CONDUIT SUPPORT									
W785	N/A	N/A	N/A	N/A	ET	N/A	782 SERIES	N/A	N/A
SPOT CONCRETE INSERT									
W790	FIG. 281	B2500	FIG. 650	N/A	355	FIG. 81	726 SERIES	FIG. 950	FIG. 108
CONCRETE INSERT NUT									
W791	FIG. 285N	N2500	FIG. 650N	N/A	355N	FIG. 81N	725 SERIES	FIG. 951N	FIG. 310N
SQUARE WASHER									
W800	N/A	B200	N/A	N/A	N/A	FIG. 75	711 SERIES	N/A	N/A
ROD COUPLING									
W805	FIG. 135 FIG. 135E	B655	FIG. 123	N/A	25	FIG. 51	712 SERIES	FIG. 100	FIG. 70
W806	FIG. 135 FIG. 135E	B655	N/A	N/A	25	N/A	712 SERIES	N/A	N/A
HEX NUT - STANDARD DUTY									
W810	N/A	HN	FIG. 165	N/A	10	FIG. 56	713 SERIES	FIG. 110	FIG. 113
HEX NUT - HEAVY DUTY									
W811	N/A	HHN	FIG. 165H	N/A	10H	FIG. 56H	713H SERIES	FIG. 100H	FIG. 114

* Accessories measurements may not be an exact match.

INDUSTRY PRODUCT CODE CROSS REFERENCE

G-FORCE®

Section 10

(GREGORY) G-FORCE	(ANVIL) ANVIL STRUT	(COOPER/EATON) B-LINE	CARPENTER & PATERSON, INC.	(ELITE) ELITE COMPONENTS	(ERICO) ERI-STRUT	(EMPIRE) EMPIRE INDUSTRIES	(GS METALS) GLOBE STRUT	(PHD MFG) PHD STRUT	(TOLCO) TOLCO
FLAT WASHER									
W815	N/A	FW	FIG. 103	N/A	11	FIG. 52	714 SERIES	FIG. 130	FIG. 115
LOCK WASHER									
W816	N/A	LW	FIG. 176	N/A	13	FIG. 52L	N/A	FIG. 134	FIG. 117
BEVEL WASHER									
W817	N/A	B3234	N/A	N/A	N/A	FIG. 72	N/A	FIG. 135	FIG. 116
FENDER WASHER									
W818	N/A	FFW	N/A	N/A	12	FIG. 52F	N/A	FIG. 136	FIG. 119
LAG SCREW									
W820	N/A	B3228	FIG. 107	N/A	N/A	FIG. 74	716 SERIES	N/A	FIG. 126
FLAT END LAG SCREW									
W821	N/A	N/A	FIG. 11	N/A	SLEB	N/A	N/A	FIG. 43	N/A
WOOD DRIVE SCREW									
W825	N/A	DS 16 X 2	N/A	N/A	N/A	FIG. 59	727 SERIES	FIG. 43	N/A
OFFSET EYE SOCKET									
W830	FIG. 190	B3223	N/A	N/A	38	N/A	728 SERIES	N/A	N/A
HEX HEAD BOLT - STANDARD DUTY									
W835	N/A	N/A	FIG. 162	N/A	HSCR	FIG. 58	799 SERIES	FIG. 15L	N/A
HEX HEAD BOLT - HEAVY DUTY									
W836	N/A	N/A	N/A	N/A	N/A	N/A	799H SERIES	FIG. 15	N/A
ANCHOR DROP-IN									
W840	N/A	N/A	FIG. 514	N/A	345R	FIG. 73	797 SERIES	FIG. 47S	FIG. 210
SELF DRILLING SNAP-OFF FLUSH									
W841	N/A	N/A	N/A	N/A	N/A	N/A	N/A	FIG. 47D	N/A
WEDGE ANCHOR									
W842	N/A	AWA	FIG. 1309	N/A	N/A	FIG. 80	N/A	FIG. 47W	FIG. 209
DOUBLE EXPANSION SHIELD									
W850	N/A	N/A	N/A	N/A	N/A	N/A	798 SERIES	N/A	N/A
WING TOGGLE									
W855	N/A	ATB (NO BOLT)	FIG. 59	N/A	145	FIG. 84	795 SERIES	N/A	FIG. 124
THREADED ROD									
W860	146	ATR	FIG. 94	MODEL ATR	50	FIG. 54	715 SERIES	FIG. 10	FIG. 99
MACHINE THREAD HANGER ROD - RIGHT HAND THREADS									
W863	FIG. 140	B3205	FIG. 133	N/A	N/A	FIG. 57	N/A	FIG. 15	FIG. 103
MACHINE THREAD HANGER ROD - LEFT HAND THREADS									
W864	FIG. 253	B3205L	FIG. 133L	N/A	N/A	N/A	N/A	N/A	N/A
COACH SCREW ROD									
W865	142	B3213	FIG. 28	N/A	41	FIG. 55	717 SERIES	FIG. 40	FIG. 105
EYE ROD - RIGHT HAND THREAD									
W866	FIG. 248	B3210	FIG. 22	N/A	40	FIG. 26	N/A	FIG. 50	FIG. 102
EYE ROD - LEFT HAND THREAD									
W867	FIG. 248L	B3210L	FIG. 22L	N/A	N/A	N/A	N/A	FIG. 50L	FIG. 102L
WELDED EYE ROD - RIGHT HAND THREADS									
W868	FIG. 278	B3211	FIG. 93	N/A	26W	N/A	N/A	FIG. 55	FIG. 101
WELDED EYE ROD - LEFT HAND THREADS									
W869	FIG. 278L	B3211L	FIG. 93L	N/A	N/A	N/A	N/A	FIG. 55L	FIG. 101L
U-BOLT									
W870	FIG. 137	B3188	FIG. 283	MODEL 1500	150M	FIG. 137	718 SERIES	FIG. 90	FIG. 110
J-BEAM BOLT									
W871	N/A	B3212	FIG. 31	N/A	85	N/A	N/A	FIG. 60	FIG. 104
ANCHOR BOLT									
W872	N/A	N/A	FIG. 177	N/A	N/A	FIG. 77	N/A	FIG. 70	FIG. 107
U-HOOK									
W873	N/A	FIG. 120	FIG. 111	N/A	WH	FIG. 235	N/A	FIG. 80	FIG. 120

* Accessories measurements may not be an exact match.



4100 13th Street, SW • Canton, Ohio 44710
866-997-8788 • Fax 330-477-0626 • www.gstrut.com

