



**G STRUT**®  
**& WIZARD**® ACCESSORIES

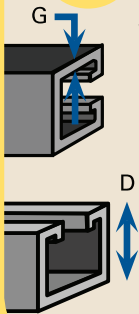
13008



# 5 Questions To Ask When Selecting The Right Strut For The Job

**1**

## GAUGE AND DEPTH



What minimum gauge (material thickness) and depth (profile size) are required for the job?

- |  |  |
|--|--|
| <input type="checkbox"/> 12 GAUGE (.097)   | <input type="checkbox"/> 14 GAUGE (.071)   |
| <input type="checkbox"/> 1 <sup>5</sup> / <sub>8</sub> " X <input type="checkbox"/> 1 <sup>3</sup> / <sub>16</sub> " D | <input type="checkbox"/> 1 <sup>5</sup> / <sub>8</sub> " X <input type="checkbox"/> 1 <sup>3</sup> / <sub>16</sub> " D |
| <input type="checkbox"/> 1 <sup>5</sup> / <sub>8</sub> " X <input type="checkbox"/> 7/ <sub>8</sub> " D                | <input type="checkbox"/> 1 <sup>5</sup> / <sub>8</sub> " X <input type="checkbox"/> 1 <sup>5</sup> / <sub>8</sub> " D  |
| <input type="checkbox"/> 1 <sup>5</sup> / <sub>8</sub> " X <input type="checkbox"/> 1" D                               |  |
| <input type="checkbox"/> 1 <sup>5</sup> / <sub>8</sub> " X <input type="checkbox"/> 1 <sup>3</sup> / <sub>8</sub> " D  |  |
| <input type="checkbox"/> 1 <sup>5</sup> / <sub>8</sub> " X <input type="checkbox"/> 1 <sup>5</sup> / <sub>8</sub> " D  |  |
| <input type="checkbox"/> 1 <sup>5</sup> / <sub>8</sub> " X <input type="checkbox"/> 2 <sup>7</sup> / <sub>16</sub> " D |  |
| <input type="checkbox"/> 1 <sup>5</sup> / <sub>8</sub> " X <input type="checkbox"/> 3 <sup>1</sup> / <sub>4</sub> " D  |  |

**2**

## LENGTH



What channel length will best serve our end use?

- STANDARD 10' (Shorter runs for easy handling)
- STANDARD 20' (Typical for longer runs)
- 6' 8" (Typical for commercial joists distance)
- CUSTOM (6" TO 40')

**3**

## PERFORATION



What "hole pattern" (if any) will best serve the job function?

- OVAL SLOT (Half slot) [9/16" x 1-1/8" - 2" on ctr.]
- LONG SLOT (Elongated slot) [13/32" x 3" - 4" on ctr.]
- ROUND HOLE [9/16" DIAM - 1-7/8" on ctr.]
- KNOCK OUT [7/8" DIAM - 6" on ctr.]
- CONTINUOUS CONCRETE INSERT
- SOLID (No perforation)

**4**

## MATERIAL



What "substrate" will best serve the job function?

- STEEL (Carbon steel, structural grade, 33,000 min yield)
- STAINLESS STEEL (304 OR 316)
- ALUMINUM
- FIBERGLASS

**5**

## FINISH



What type of finish or coating will best serve the construction?

- PRE-GALVANIZED (Continuous galvanized) - G90 zinc coating weight for cost-effectivce long-term galvanic and barrier corrosion protection
- HOT DIPPED Galvanized (after fabrication, heavy zinc) where aqueous or exterior applications require greater corrosion protection
- GREEN Powder or "e"-coated painted topical coating
- PVC COAT Heavy PVC coat for extended barrier protection or cosmetic effects (May PVC coat over plain or galvanized)



- WIZCoat™ GALVANNEAL Paintable pregalvanized material requires no pre-treatment. Easily spray painted post-installation
- PLAIN Untreated, "plain" steel with no topical/ barrier coating
- GOLD Yellow zinc dichromated electro-galvanized
- CUSTOM COLORS Custom powder coating available in virtually any PMS color.



G-Strut®  
4100 13th Street SW  
Canton, Ohio 44710  
330-477-4800  
1-866-997-8788  
Fax 330-477-0626  
strut@gregorycorp.com  
www.gstrut.com

<b>1</b>	<b>Strut Channels</b>
<b>2</b>	<b>Hardware</b>
<b>3</b>	<b>Fittings &amp; Accessories</b>
<b>4</b>	<b>Clamps</b>
<b>5</b>	<b>Inserts &amp; End Caps</b>
<b>6</b>	<b>Slotted Angle &amp; Pipe Supports</b>
<b>7</b>	<b>Engineering Data</b>
<b>8</b>	<b>Cross Reference Chart</b>
<b>9</b>	<b>Price List</b>
<b>10</b>	<b>Index</b>





## Table of Contents

<b>Section i – Introduction</b>	
Company Information . . . . .	4
Finishes . . . . .	5
Profile Styles . . . . .	6
Ordering Information . . . . .	7
Terms & Conditions . . . . .	8
<b>Section 1 - Channels</b>	
Combinations . . . . .	11
Complete Strut Channel Product Listing . . . . .	12
<b>Section 2 – Hardware</b>	
Channel Nuts . . . . .	22
Miscellaneous Hardware . . . . .	24
Threaded Rod . . . . .	25
<b>Section 3 – Fittings &amp; Accessories</b>	
Flat Plate Fittings . . . . .	28
Angle Fitting . . . . .	32
Wing Fittings . . . . .	40
Z Angle Fittings . . . . .	44
Splice Channel Fittings . . . . .	45
U Fittings . . . . .	46
Clevis Fittings . . . . .	47
Hangers & Miscellaneous Fittings . . . . .	48
Pipe Roller & Trolley Hardware . . . . .	49
Post Bases . . . . .	50
Beam Clamps . . . . .	52
U-Bolts & U-Bolt Beam Clamps . . . . .	56
Bracket Fittings . . . . .	57
Shelf Brackets . . . . .	60
Brace Fittings . . . . .	62
<b>Section 4 – Clamps</b>	
Conduit Clamps . . . . .	64
Cushion Clamps . . . . .	66
Pipe Clamps . . . . .	68
<b>Section 5 – Concrete Inserts &amp; End Caps . . . . .</b>	69
<b>Section 6 – Slotted Angle &amp; Pipe Support Systems . . . . .</b>	73
<b>Section 7 – Specifications &amp; Engineering Data . . . . .</b>	77
<b>Section 8 – Cross Reference Chart . . . . .</b>	98
<b>Section 9 – Price List . . . . .</b>	160
<b>Section 10 – Index . . . . .</b>	172



The complete package...

in

## **Metal Framing Systems**

Gregory Industries has been in operation for over 100 years...dedicated to the highest product standards and performance. Our company is unique among strut manufacturers in that we control the entire strut manufacturing process. At Gregory, we start with mill produced black hot-rolled steel master coils...slit the coils in preparation for processing...continuous pickle and galvanize on our own specialty line...roll form and in-line punch...and package and ship. At Gregory our philosophy is straightforward and simple:

***FURNISH THE BEST QUALITY PRODUCTS,  
WITH THE BEST OF CUSTOMER SERVICE,  
AND AT THE BEST POSSIBLE PRICE.***

## **Finishes**

Comprehensive list of available coatings/material types for...  
**G-STRUT® channel and accessories.**

### **Pre-Galvanizing:**

A zinc coating is applied by hot-dipping the steel coil on Gregory's specialty continuous galvanizing line. The channel is roll-formed, cut and/or punched as specified in conformance to ASTM 1011 for hot-rolled steel and ASTM 653 for hot-dipped pre-galvanizing, with a G-90 coating (0.90 ounces of zinc per square foot of steel).

### **Hot-Dipped Galvanized:**

The material is zinc coated after fabrication providing an extra heavy total product protection on all surfaces. The channel is pretreated, pickled, and then dipped into tanks of molten zinc, creating an electrolyzed bond. HDG provides superior corrosion resistance for highly corrosive exterior applications as compared to pre-galvanized material. **G-STRUT®** hot-dipped galvanized is in conformance with ASTM A-123 specification.

### **Galvannealed:**

A zinc coating is applied by pre-galvanizing the steel coil on Gregory's specialty continuous galvanizing line. The coil then passes through an additional heat induction process, creating a matted gray finish with an all alloy coating the is designed for its paintability. Galvannealed **G-STRUT®** is easily painted post-installation without costly pre-treatment.

### **Powder Coat or Electro Deposition**

#### **Coating (Green):**

Electro-deposition coating, or E-Coat, uses electricity to deposit a smooth, thin, uniform layer of epoxy resin coating on the surface of a metal part. Powder coating electrostatically applies a uniform dry polyester powder to the metal surface. Both methods utilize an "oven-baked" durable painted finish. **G-STRUT®** is also available in custom colors.

### **Electro-galvanized:**

Electro-galvanized, or "zinc plated," combines the steel and .5 mils of zinc that form a bond by an electrolysis process. Electro-galvanizing is most commonly applied to **G-STRUT'S®** small fittings and hardware.

### **Aluminum:**

**G-STRUT®** channel is available in extruded Aluminum Alloy suitable for a variety of applications.

### **Black/Plain:**

A plain finish is pickled, hot-rolled carbon steel with a light oil finish. There is no protection against red rust.

### **Yellow Zinc Dichromate (Gold):**

The pickled and oiled fabricated part is immersed in an Electro-zinc plated bath and sealed with a yellow zinc dichromate creating a protective, iridescent yellow finish.

### **PVC Coated:**

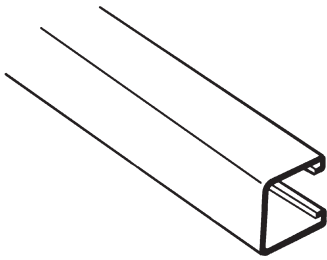
A polyvinyl chloride (PVC) plastic coating is bonded to the channel or accessory by immersing the part in fluid PVC tanks. PVC can be applied over galvanized or plain steel without costly pre-treatment.

### **Stainless:**

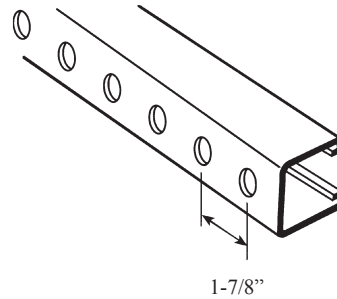
**G-STRUT®** channel is supplied in type 304 stainless steel. Type 316 stainless steel is also available upon request.

### G-STRUT® Profile Styles

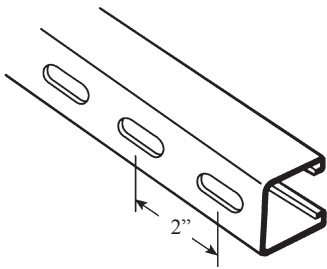
G-STRUT® can be ordered in six basic styles: solid, holes, oval slots, long slots, knock out, and back to back. The perforated styles are denoted in the catalog number as -H, -OS, -LS, -KO, and -A. Catalog numbers without these suffixes are solid. Please note hole dimensions on each drawing below. Centerline dimensions are important when ordering G-STRUT® cut to length.



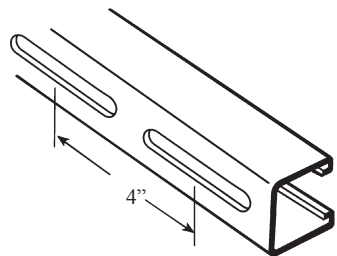
**Solid**  
(No Perforation)



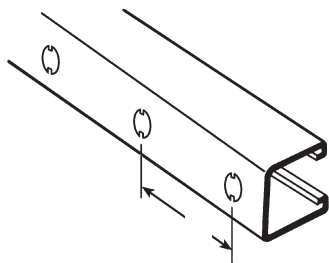
**Hole = H**  
(9/16" Diameter - 1-7/8" On Center)



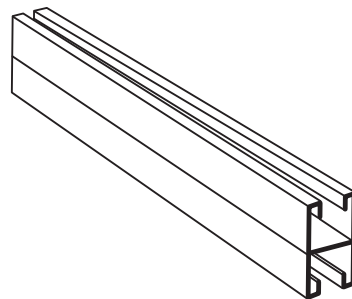
**Oval Slot = OS**  
(9/16" X 1-1/8" - 2" On Center)



**Long Slot = LS**  
(13/32" X 3" - 4" On Center)



**Knock Out = KO**  
(7/8" Diameter - 6" On Center)



**Back to Back = A**  
(Spot Welded, Avail. with Perforation)



**Ordering and Understanding Product Codes**

[EXAMPLE PAGE]

**G 582 OS 1 POP**



<i>Product Designation / Type</i>	<i>Product Number / Part Code (Dimension)</i>	<i>Perforation / Hole (Strut Only)</i>	<i>Channel Length (Strut Only)</i>	<i>Finish / Material Utilized</i>	<i>CATALOG PRODUCT CODE</i>
Gregory Strut	1-5/8" x 1-5/8" 12 ga.	Oval Slot	10 foot	Painted	<b>G582OS1POP</b>
Gregory Strut	13/16" x 1-5/8" 14 ga.	Long Slot	20 foot	Pre Galv.	<b>G134LS2</b>
Top Spring Nut	1/4" -20 x 1/4"			Electro-Galv.	<b>GTSN800</b>
Square Nut	1/4"			Electro-Galv.	<b>GSN025</b>
Splice Plate	1-5/8" x 3-1/4"			Electro-Galv.	<b>G2051</b>
Angle Bracket	2-3/8" x 3-1/4" x 82-1/2°			Painted	<b>G3191POP</b>
Beam Clamp	3/4" x 10			Electro-Galv.	<b>G4111</b>
"U" Support	5-13/32" x 1"			Electro-Galv.	<b>G6011</b>

**GREGORY INDUSTRIES TERMS AND CONDITIONS OF SALE**

1. These terms and conditions ("TCA") shall, along with the quantities and price reflected in any material quote or order ("Quote") or ("Order"), constitute the complete understanding between Gregory Industries, Inc. ("Gregory") and Purchaser and shall supersede any and all prior terms and conditions, negotiations or other written and oral agreements. Unless specifically noted otherwise, in the event of any ambiguity between this TCA and any Order or Quote, the TCA shall govern.
2. This TCA shall be deemed accepted and agreed upon in full upon the either the written acceptance of the TCA, the receipt and acceptance of any goods delivered pursuant to the TCA or the payment for any goods shipped under the TCA whichever is the first to occur.
3. Gregory hereby excludes, rejects and disavows any and all non-conforming or differing terms, conditions or qualifications contained within any Purchaser order, quote or any other form of confirmatory memorandum, regardless of when or in what order such non-conforming or differing terms were delivered or offered to Gregory.
4. Each and every term set forth herein shall be deemed material and germane to the transaction. This TCA and any Order or Quote may not be modified by Purchaser in any respect and may only be modified by a writing signed by Gregory This TCA and any Quote or Order shall not be subject to either oral modification or modification by conduct.
5. All payments are due within 30 days of the date of invoice ("Net 30") unless an extended term is agreed upon in a writing signed by a Gregory authorized representative. All payments beyond Net 30 shall be subject to compounding interest charges of .75%/month. Gregory reserves the right to suspend all performance if payment is later than Net 30 and also reserves the right to accept late payments at its sole discretion. No acceptance of any payment later than Net 30 shall be deemed to waive any right or future rights that Gregory may otherwise have to cancel or suspend its future performance.
6. Any Quote shall expire and be deemed revoked 30 calendar days after delivery of the Quote, unless otherwise specified, if there is no act of acceptance as such is defined in paragraph 2 herein. Delivery shall be deemed made upon the transmission by Gregory, by any means, of a Quote.
7. Any Quote which is delivered to Gregory and accepted by Gregory may only be changed or altered with the express written consent of Gregory.
8. All prices quoted herein are subject to change at the sole discretion of Gregory based upon the prevailing steel and related supplies markets. Gregory shall provide purchaser three (3) business days' written notice of any such price change.
9. This agreement shall be deemed made in Stark County, Ohio and any dispute herein shall be governed by the laws of the state of Ohio and the venue for any action or proceeding arising in any respect between Gregory and Purchaser shall be in either the state or federal court situated in Stark County, Ohio. Should any portion of this paragraph be deemed unenforceable then only such portion deemed unenforceable shall be struck.
10. In the event that Gregory has to employ attorneys to either enforce its rights, defend its rights or to seek payment or any other remedy available at law or equity, then purchaser agrees to pay for all attorneys' fees and costs expended by Gregory in any such action regardless of the outcome.
11. This TCA and the underlying materials quote shall be subject to termination at the convenience of Gregory without any further obligation whatsoever on the part of Gregory
12. In the event of any breach or allegation of breach on the part of Gregory, the only damages for which Gregory may be held responsible shall be the cost of any cover (as defined by the Uniform Commercial Code) for a period of thirty (30) calendar days from the alleged date of breach. Gregory hereby disclaims and purchaser hereby waives any and all other damages whether arising under contract, tort or statute including but not limited to damages arising from alleged delay, non-delivery, lost profits, lost commercial expectancy, reputation or any other type or theory of damages.
13. Gregory reserves the right, at any point in time to request information concerning bonding, information related to mechanics' lien rights, or information related to the financial strength of purchaser. Such information shall, if requested by Gregory, shall be provided by purchaser within three (3) business days of any request. Failure to provide such information shall constitute a material breach.
14. Upon any act of breach, Gregory shall have the right to repossess product delivered, sue for all amounts due including attorneys fees as provided herein, suspend any further performance and or cancel any and all existing agreements without any further obligation by Gregory.
15. Gregory agrees to deliver the agreed product within the time specified in the Quote or Order or a soon as is commercially reasonable. Unless otherwise specifically noted, all deliveries are F.O.B. at Gregory loading docks. If shipped freight prepaid, the charge for freight will be added to the invoice. Risk of loss or damage shall be borne by purchaser and claims made directly with carrier.
- 16. Gregory hereby disclaims any implied or express warranty or merchantability or fitness for an intended or any particular purpose. Gregory represents that the product shall reasonably conform to applicable federal and state specifications and Gregory will provide necessary material test reports representing such.**
17. Any and all claims for damaged, defective, nonconforming material or claims of shortages shall be made in writing to Gregory within 24 hours of delivery to Purchaser or such claims are deemed to be affirmatively waived.
18. Should any term or condition set forth herein be deemed by a court of competent jurisdiction to be unenforceable, then All other terms shall survive such ruling and shall be deemed to govern the parties' relationship.

## SECTION 1

### G-STRUT® Channels

**General:**

G-STRUT® channels are continuous cold-roll-formed steel profiles, produced in either solid or perforated back sections.

**Lengths:**

Standard lengths are 10' and 20' p/m 1/8". Custom lengths are available in virtually all sizes - shear cut on the mill. Consult factory for details.

**Finishes:**

G-STRUT® is available in 10 finishes/materials covering the full spectrum of metal framing requirements. (see section i)

**ASTM References:**

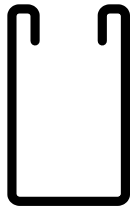
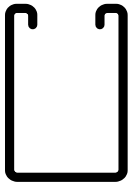
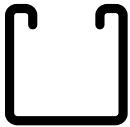
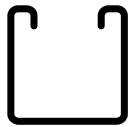
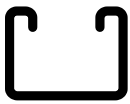
G-STRUT® conforms to ASTM 1011 for hot rolled steel and ASTM 653 for hot dip pre-galvanized steel.

**Loading Data:**

G-STRUT® conforms to industry standards for structural metal-formed, metal framing strut steel products.  
(see section 7)

**G-STRUT Channel Sizes**

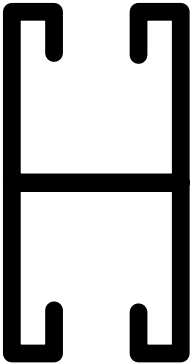
Pages 10 - 20

**G-812** 1-5/8" x 3-1/4" 12 g.....Page 12**G-712** 1-5/8" x 2-7/16" 12 g.....Page 13**G-582** 1-5/8" x 1-5/8" 12 g.....Page 14**G-584** 1-5/8" x 1-5/8" 14 g.....Page 15**G-382** 1-5/8" x 1-3/8" 12 g.....Page 16**G-102** 1-5/8" x 1" 12 g.....Page 17**G-782** 1-5/8" x 7/8" 12 g.....Page 18**G-132** 1-5/8" x 13/16" 12 g.....Page 19**G-134** 1-5/8" x 13/16" 14 g.....Page 20

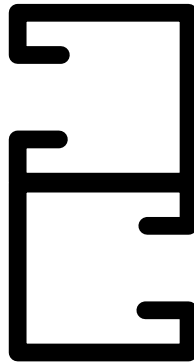
# Welded Combinations:

(Available in all channel sizes)

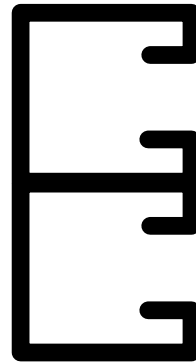
Suffix 'A'



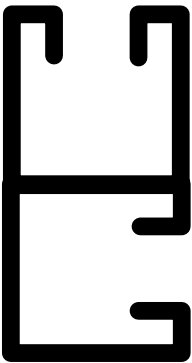
Suffix 'B'



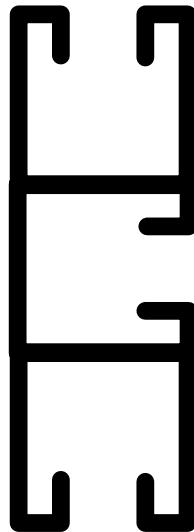
Suffix 'C'



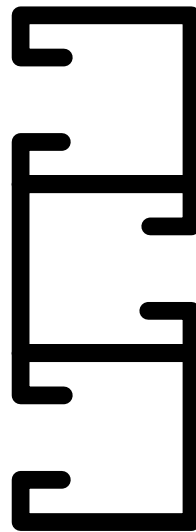
Suffix 'D'



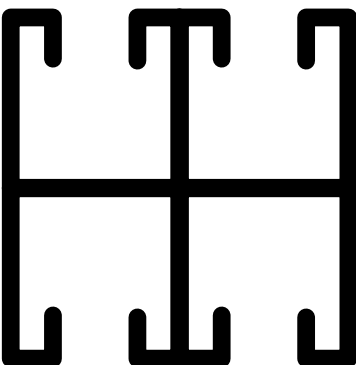
Suffix 'E'



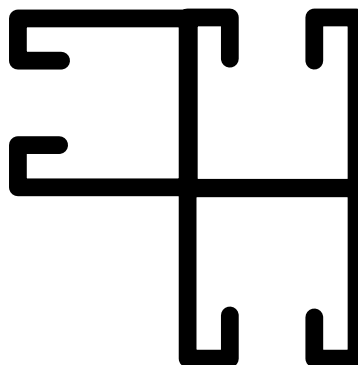
Suffix 'F'



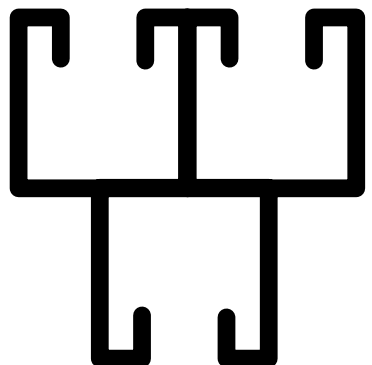
Suffix 'G'



Suffix 'H'



Suffix 'I'

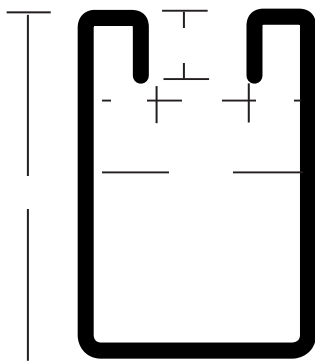


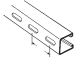
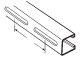
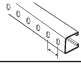
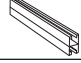
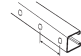
\*Consult factory for special welds not illustrated.



# G812

3-1/4" x 1-5/8" – 12 gauge



	<b>G812OS</b> [Oval-Slot] 9/16" x 1-1/8" – 2" ON CTR
	<b>G812LS</b> [Long-Slot] 13/32" x 3" – 4" ON CTR
	<b>G812H</b> [Holes] 9/16" DIAM. – 1-7/8" ON CTR
	<b>G812A</b> [Back-to-Back] WELDED
	<b>G812KO</b> [Knock-out] 7/8" DIAM. – 6" ON CTR

## Pre-Galvanized Bundle Quantity – 500 ft. • Wt./100 ft. – 313 lbs.

Catalog No.	Description	
<b>G8121</b>	<b>Solid, 10 ft.</b>	3-1/4" x 1-5/8", pre-galv., 12 g
<b>G8122</b>	<b>Solid, 20 ft.</b>	3-1/4" x 1-5/8", pre-galv., 12 g
<b>G812H1</b>	<b>With 9/16" Hole, 10 ft.</b>	3-1/4" x 1-5/8", pre-galv., 12 g
<b>G812H2</b>	<b>With 9/16" Hole, 20 ft.</b>	3-1/4" x 1-5/8", pre-galv., 12 g
<b>G812OS1</b>	<b>With 9/16" x 1-1/8" Slot, 10 ft.</b>	3-1/4" x 1-5/8", pre-galv., 12 g
<b>G812OS2</b>	<b>With 9/16" x 1-1/8" Slot, 20 ft.</b>	3-1/4" x 1-5/8", pre-galv., 12 g
<b>G812LS1</b>	<b>With 13/32" x 3" Slot, 10 ft.</b>	3-1/4" x 1-5/8", pre-galv., 12 g
<b>G812LS2</b>	<b>With 13/32" x 3" Slot, 20 ft.</b>	3-1/4" x 1-5/8", pre-galv., 12 g
<b>G812A1*</b>	<b>Back-to-Back Welded, 10 ft. (Wt./100 ft.=626 lbs.)</b>	6-1/2" x 1-5/8", pre-galv., 12 g
<b>G812A2*</b>	<b>Back-to-Back Welded, 20 ft. (Wt./100 ft.=626 lbs.)</b>	6-1/2" x 1-5/8", pre-galv., 12 g
<b>G812KO1</b>	<b>With 9/16" Knock-out, 10 ft.</b>	3-1/4" x 1-5/8", pre-galv., 12 g
<b>G812KO2</b>	<b>With 9/16" Knock-out, 20 ft.</b>	3-1/4" x 1-5/8", pre-galv., 12 g

## Green Bundle Quantity – 500 ft. • Wt./100 ft. – 313 lbs.

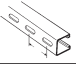
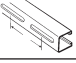
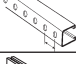
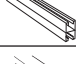

Catalog No.	Description	
<b>G8121 POP</b>	<b>Solid, 10 ft.</b>	3-1/4" x 1-5/8", green, 12 g
<b>G8122 POP</b>	<b>Solid, 20 ft.</b>	3-1/4" x 1-5/8", green, 12 g
<b>G812H1 POP</b>	<b>With 9/16" Hole, 10 ft.</b>	3-1/4" x 1-5/8", green, 12 g
<b>G812H2 POP</b>	<b>With 9/16" Hole, 20 ft.</b>	3-1/4" x 1-5/8", green, 12 g
<b>G812OS1 POP</b>	<b>With 9/16" x 1-1/8" Slot, 10 ft.</b>	3-1/4" x 1-5/8", green, 12 g
<b>G812OS2 POP</b>	<b>With 9/16" x 1-1/8" Slot, 20 ft.</b>	3-1/4" x 1-5/8", green, 12 g
<b>G812LS1 POP</b>	<b>With 13/32" x 3" Slot, 10 ft.</b>	3-1/4" x 1-5/8", green, 12 g
<b>G812LS2 POP</b>	<b>With 13/32" x 3" Slot, 20 ft.</b>	3-1/4" x 1-5/8", green, 12 g
<b>G812A1 POP*</b>	<b>Back-to-Back Welded, 10 ft. (Wt./100 ft.=626 lbs.)</b>	6-1/2" x 1-5/8", green, 12 g
<b>G812A2 POP*</b>	<b>Back-to-Back Welded, 20 ft. (Wt./100 ft.=626 lbs.)</b>	6-1/2" x 1-5/8", green, 12 g
<b>G812KO1 POP</b>	<b>With 7/8" Knock-out, 10 ft.</b>	3-1/4" x 1-5/8", green, 12 g
<b>G812KO2 POP</b>	<b>With 7/8" Knock-out, 20 ft.</b>	3-1/4" x 1-5/8", green, 12 g

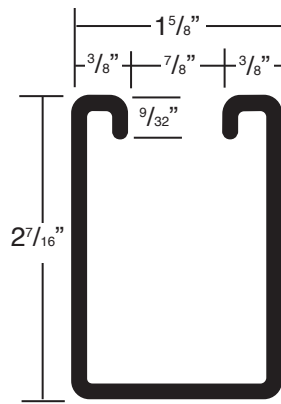
## Special Finishes/Types (Consult factory for bundle quantities & weights)

Catalog No.*	Description	
<b>G812YZ</b>	<b>Gregory Gold, Yellow Zinc Dichromate</b>	3-1/4" x 1-5/8", 12 g
<b>G812PO</b>	<b>Plain, Pickled &amp; Oiled</b>	3-1/4" x 1-5/8", 12 g
<b>G812HDG</b>	<b>Hot-dipped Galvanized</b>	3-1/4" x 1-5/8", 12 g
<b>G812PVC</b>	<b>PVC Coated (Galvanized or Black)</b>	3-1/4" x 1-5/8", 12 g

\* Designate OS, LS, or H if perforation desired

Consult factory for special lengths, custom colors, and special finishes

	<b>G712OS</b> [Oval-Slot] 9/16" x 1-1/8" – 2" ON CTR
	<b>G712LS</b> [Long-Slot] 13/32" x 3" – 4" ON CTR
	<b>G712H</b> [Holes] 9/16" DIAM. – 1-7/8" ON CTR
	<b>G712A</b> [Back-to-Back] WELDED
	<b>G712KO</b> [Knock-out] 7/8" DIAM. – 6" ON CTR



# G712

**2-7/16" x 1-5/8" – 12 gauge**

## Pre-Galvanized Bundle Quantity – 500 ft. • Wt./100 ft. – 244 lbs.

Catalog No.	Description	
<b>G7121</b>	<b>Solid, 10 ft.</b>	2-7/16" x 1-5/8", pre-galv., 12 g
<b>G7122</b>	<b>Solid, 20 ft.</b>	2-7/16" x 1-5/8", pre-galv., 12 g
<b>G712H1</b>	<b>With 9/16" Hole, 10 ft.</b>	2-7/16" x 1-5/8", pre-galv., 12 g
<b>G712H2</b>	<b>With 9/16" Hole, 20 ft.</b>	2-7/16" x 1-5/8", pre-galv., 12 g
<b>G712OS1</b>	<b>With 9/16" x 1-1/8" Slot, 10 ft.</b>	2-7/16" x 1-5/8", pre-galv., 12 g
<b>G712OS2</b>	<b>With 9/16" x 1-1/8" Slot, 20 ft.</b>	2-7/16" x 1-5/8", pre-galv., 12 g
<b>G712LS1</b>	<b>With 13/32" x 3" Slot, 10 ft.</b>	2-7/16" x 1-5/8", pre-galv., 12 g
<b>G712LS2</b>	<b>With 13/32" x 3" Slot, 20 ft.</b>	2-7/16" x 1-5/8", pre-galv., 12 g
<b>G712A1*</b>	<b>Back-to-Back Welded, 10 ft. (Wt./100 ft.=488 lbs.)</b>	4-7/8" x 1-5/8", pre-galv., 12 g
<b>G712A2*</b>	<b>Back-to-Back Welded, 20 ft. (Wt./100 ft.=488 lbs.)</b>	4-7/8" x 1-5/8", pre-galv., 12 g
<b>G712KO1</b>	<b>With 9/16" Knock-out, 10 ft.</b>	2-7/16" x 1-5/8", pre-galv., 12 g
<b>G712KO2</b>	<b>With 9/16" Knock-out, 20 ft.</b>	2-7/16" x 1-5/8", pre-galv., 12 g

## Green

**Bundle Quantity – 500 ft. • Wt./100 ft. – 244 lbs.**

Catalog No.	Description	
<b>G7121 POP</b>	<b>Solid, 10 ft.</b>	2-7/16" x 1-5/8", green, 12 g
<b>G7122 POP</b>	<b>Solid, 20 ft.</b>	2-7/16" x 1-5/8", green, 12 g
<b>G712H1 POP</b>	<b>With 9/16" Hole, 10 ft.</b>	2-7/16" x 1-5/8", green, 12 g
<b>G712H2 POP</b>	<b>With 9/16" Hole, 20 ft.</b>	2-7/16" x 1-5/8", green, 12 g
<b>G712OS1 POP</b>	<b>With 9/16" x 1-1/8" Slot, 10 ft.</b>	2-7/16" x 1-5/8", green, 12 g
<b>G712OS2 POP</b>	<b>With 9/16" x 1-1/8" Slot, 20 ft.</b>	2-7/16" x 1-5/8", green, 12 g
<b>G712LS1 POP</b>	<b>With 13/32" x 3" Slot, 10 ft.</b>	2-7/16" x 1-5/8", green, 12 g
<b>G712LS2 POP</b>	<b>With 13/32" x 3" Slot, 20 ft.</b>	2-7/16" x 1-5/8", green, 12 g
<b>G712A1 POP*</b>	<b>Back-to-Back Welded, 10 ft. (Wt./100 ft.=488 lbs.)</b>	4-7/8" x 1-5/8", green, 12 g
<b>G712A2 POP*</b>	<b>Back-to-Back Welded, 20 ft. (Wt./100 ft.=488 lbs.)</b>	4-7/8" x 1-5/8", green, 12 g
<b>G712KO1 POP</b>	<b>With 7/8" Knock-out, 10 ft.</b>	2-7/16" x 1-5/8", green, 12 g
<b>G712KO2 POP</b>	<b>With 7/8" Knock-out, 20 ft.</b>	2-7/16" x 1-5/8", green, 12 g

## Special Finishes/Types (Consult factory for bundle quantities & weights)

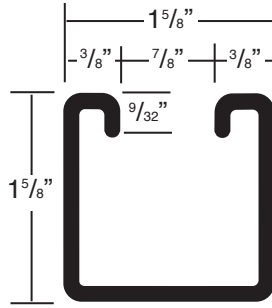
Catalog No.*	Description	
<b>G712YZ</b>	<b>Gregory Gold, Yellow Zinc Dichromate</b>	2-7/16" x 1-5/8", 12 g
<b>G712GN</b>	<b>Galvannealed WIZcoat™</b>	2-7/16" x 1-5/8", 12 g
<b>G712PO</b>	<b>Plain, Pickled &amp; Oiled</b>	2-7/16" x 1-5/8", 12 g
<b>G712HDG</b>	<b>Hot-dipped Galvanized</b>	2-7/16" x 1-5/8", 12 g
<b>G712PVC</b>	<b>PVC Coated (Galvanized or Black)</b>	2-7/16" x 1-5/8", 12 g

\* Designate OS, LS, or H if perforation desired

Consult factory for special lengths, custom colors, and special finishes

# G582

1-5/8" x 1-5/8" – 12 gauge



	<b>G582OS</b> [Oval-Slot] 9/16" x 1-1/8" – 2" ON CTR
	<b>G582LS</b> [Long-Slot] 13/32" x 3" – 4" ON CTR
	<b>G582H</b> [Holes] 9/16" DIAM. – 1-7/8" ON CTR
	<b>G582A</b> [Back-to-Back] WELDED
	<b>G582KO</b> [Knock-Out] 7/8" DIAM. – 6" ON CTR

## Pre-Galvanized Bundle Quantity – 500 ft. • Wt./100 ft. – 180 lbs.

Catalog No.	Description	
<b>G5821</b>	<b>Solid, 10 ft.</b>	1-5/8" x 1-5/8", pre-galv., 12 g
<b>G5822</b>	<b>Solid, 20 ft.</b>	1-5/8" x 1-5/8", pre-galv., 12 g
<b>G582H1</b>	<b>With 9/16" Hole, 10 ft.</b>	1-5/8" x 1-5/8", pre-galv., 12 g
<b>G582H2</b>	<b>With 9/16" Hole, 20 ft.</b>	1-5/8" x 1-5/8", pre-galv., 12 g
<b>G582OS1</b>	<b>With 9/16" x 1-1/8" Slot, 10 ft.</b>	1-5/8" x 1-5/8", pre-galv., 12 g
<b>G582OS2</b>	<b>With 9/16" x 1-1/8" Slot, 20 ft.</b>	1-5/8" x 1-5/8", pre-galv., 12 g
<b>G582LS1</b>	<b>With 13/32" x 3" Slot, 10 ft.</b>	1-5/8" x 1-5/8", pre-galv., 12 g
<b>G582LS2</b>	<b>With 13/32" x 3" Slot, 20 ft.</b>	1-5/8" x 1-5/8", pre-galv., 12 g
<b>G582A1*</b>	<b>Back-to-Back Welded, 10 ft. (Wt./100 ft.=360 lbs.)</b>	3-1/4" x 1-5/8", pre-galv., 12 g
<b>G582A2*</b>	<b>Back-to-Back Welded, 20 ft. (Wt./100 ft.=360 lbs.)</b>	3-1/4" x 1-5/8", pre-galv., 12 g
<b>G582KO1</b>	<b>With 9/16" Knock-out, 10 ft.</b>	1-5/8" x 1-5/8", pre-galv., 12 g
<b>G582KO2</b>	<b>With 9/16" Knock-out, 20 ft.</b>	1-5/8" x 1-5/8", pre-galv., 12 g

## Green Bundle Quantity – 500 ft. • Wt./100 ft. – 180 lbs.

Catalog No.	Description	
<b>G5821 POP</b>	<b>Solid, 10 ft.</b>	1-5/8" x 1-5/8", green, 12 g
<b>G5822 POP</b>	<b>Solid, 20 ft.</b>	1-5/8" x 1-5/8", green, 12 g
<b>G582H1 POP</b>	<b>With 9/16" Hole, 10 ft.</b>	1-5/8" x 1-5/8", green, 12 g
<b>G582H2 POP</b>	<b>With 9/16" Hole, 20 ft.</b>	1-5/8" x 1-5/8", green, 12 g
<b>G582OS1 POP</b>	<b>With 9/16" x 1-1/8" Slot, 10 ft.</b>	1-5/8" x 1-5/8", green, 12 g
<b>G582OS2 POP</b>	<b>With 9/16" x 1-1/8" Slot, 20 ft.</b>	1-5/8" x 1-5/8", green, 12 g
<b>G582LS1 POP</b>	<b>With 13/32" x 3" Slot, 10 ft.</b>	1-5/8" x 1-5/8", green, 12 g
<b>G582LS2 POP</b>	<b>With 13/32" x 3" Slot, 20 ft.</b>	1-5/8" x 1-5/8", green, 12 g
<b>G582A1* POP</b>	<b>Back-to-Back Welded, 10 ft. (Wt./100 ft.=360 lbs.)</b>	3-1/4" x 1-5/8", green, 12 g
<b>G582A2* POP</b>	<b>Back-to-Back Welded, 20 ft. (Wt./100 ft.=360 lbs.)</b>	3-1/4" x 1-5/8", green, 12 g
<b>G582KO1 POP</b>	<b>With 7/8" Knock-out, 10 ft.</b>	1-5/8" x 1-5/8", green, 12 g
<b>G582KO2 POP</b>	<b>With 7/8" Knock-out, 20 ft.</b>	1-5/8" x 1-5/8", green, 12 g

## Special Finishes/Types (Consult factory for bundle quantities & weights)

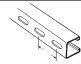
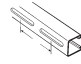
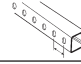
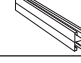

Catalog No.*	Description	
<b>G582YZ</b>	<b>Gregory Gold, Yellow Zinc Dichromate</b>	1-5/8" x 1-5/8", 12 g
<b>G582AL</b>	<b>Aluminum Extruded</b>	1-5/8" x 1-5/8", 12 g
<b>G582GN</b>	<b>Galvannealed (WIZcoat™)</b>	1-5/8" x 1-5/8", 12 g
<b>G582PO</b>	<b>Plain, Pickled &amp; Oiled</b>	1-5/8" x 1-5/8", 12 g
<b>G582HDG</b>	<b>Hot-dipped Galvanized</b>	1-5/8" x 1-5/8", 12 g
<b>G582SS</b>	<b>Stainless Steel (Grade 304 or 316)</b>	1-5/8" x 1-5/8", 12 g
<b>G582PVC</b>	<b>PVC Coated (Galvanized or Black)</b>	1-5/8" x 1-5/8", 12 g

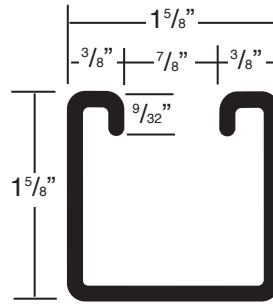
\* Designate OS, LS, or H if perforation desired

Consult factory for special lengths, custom colors, and special finishes

## G584

1-5/8" x 1-5/8" – 14 gauge

	<b>G584OS</b> [Oval-Slot] 9/16" x 1-1/8" – 2" ON CTR
	<b>G584LS</b> [Long-Slot] 13/32" x 3" – 4" ON CTR
	<b>G584H</b> [Holes] 9/16" DIAM. – 1-7/8" ON CTR
	<b>G584A</b> [Back-to-Back] WELDED
	<b>G584KO</b> [Knock-Out] 7/8" DIAM. – 6" ON CTR

**Pre-Galvanized** Bundle Quantity – 500 ft. • Wt./100 ft. – 140 lbs.

Catalog No.	Description	
<b>G5841</b>	<b>Solid, 10 ft.</b>	1-5/8" x 1-5/8", pre-galv., 14 g
<b>G5842</b>	<b>Solid, 20 ft.</b>	1-5/8" x 1-5/8", pre-galv., 14 g
<b>G584H1</b>	<b>With 9/16" Hole, 10 ft.</b>	1-5/8" x 1-5/8", pre-galv., 14 g
<b>G584H2</b>	<b>With 9/16" Hole, 20 ft.</b>	1-5/8" x 1-5/8", pre-galv., 14 g
<b>G584OS1</b>	<b>With 9/16" x 1-1/8" Slot, 10 ft.</b>	1-5/8" x 1-5/8", pre-galv., 14 g
<b>G584OS2</b>	<b>With 9/16" x 1-1/8" Slot, 20 ft.</b>	1-5/8" x 1-5/8", pre-galv., 14 g
<b>G584LS1</b>	<b>With 13/32" x 3" Slot, 10 ft.</b>	1-5/8" x 1-5/8", pre-galv., 14 g
<b>G584LS2</b>	<b>With 13/32" x 3" Slot, 20 ft.</b>	1-5/8" x 1-5/8", pre-galv., 14 g
<b>G584A1*</b>	<b>Back-to-Back Welded, 10 ft. (Wt./100 ft.=280 lbs.)</b>	3-1/4" x 1-5/8", pre-galv., 14 g
<b>G584A2*</b>	<b>Back-to-Back Welded, 20 ft. (Wt./100 ft.=280 lbs.)</b>	3-1/4" x 1-5/8", pre-galv., 14 g
<b>G584KO1</b>	<b>With 9/16" Knock-out, 10 ft.</b>	1-5/8" x 1-5/8", pre-galv., 14 g
<b>G584KO2</b>	<b>With 9/16" Knock-out, 20 ft.</b>	1-5/8" x 1-5/8", pre-galv., 14 g

**Green**

Bundle Quantity – 500 ft. • Wt./100 ft. – 140 lbs.

Catalog No.	Description	
<b>G5841 POP</b>	<b>Solid, 10 ft.</b>	1-5/8" x 1-5/8", green, 14 g
<b>G5842 POP</b>	<b>Solid, 20 ft.</b>	1-5/8" x 1-5/8", green, 14 g
<b>G584H1 POP</b>	<b>With 9/16" Hole, 10 ft.</b>	1-5/8" x 1-5/8", green, 14 g
<b>G584H2 POP</b>	<b>With 9/16" Hole, 20 ft.</b>	1-5/8" x 1-5/8", green, 14 g
<b>G584OS1 POP</b>	<b>With 9/16" x 1-1/8" Slot, 10 ft.</b>	1-5/8" x 1-5/8", green, 14 g
<b>G584OS2 POP</b>	<b>With 9/16" x 1-1/8" Slot, 20 ft.</b>	1-5/8" x 1-5/8", green, 14 g
<b>G584LS1 POP</b>	<b>With 13/32" x 3" Slot, 10 ft.</b>	1-5/8" x 1-5/8", green, 14 g
<b>G584LS2 POP</b>	<b>With 13/32" x 3" Slot, 20 ft.</b>	1-5/8" x 1-5/8", green, 14 g
<b>G-584-A1 POP*</b>	<b>Back-to-Back Welded, 10 ft. (Wt./100 ft.=280 lbs.)</b>	3-1/4" x 1-5/8", green, 14 g
<b>G584A2 POP*</b>	<b>Back-to-Back Welded, 20 ft. (Wt./100 ft.=280 lbs.)</b>	3-1/4" x 1-5/8", green, 14 g
<b>G584KO1 POP</b>	<b>With 7/8" Knock-out, 10 ft.</b>	1-5/8" x 1-5/8", green, 14 g
<b>G584KO2 POP</b>	<b>With 7/8" Knock-out, 20 ft.</b>	1-5/8" x 1-5/8", green, 14 g

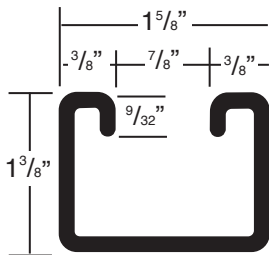
**Special Finishes/Types** (Consult factory for bundle quantities & weights)

Catalog No.*	Description	
<b>G584YZ</b>	<b>Gregory Gold, Yellow Zinc Dichromate</b>	1-5/8" x 1-5/8", 14 g
<b>G584GN</b>	<b>Galvannealed (WIZcoat™)</b>	1-5/8" x 1-5/8", 14 g
<b>G584PO</b>	<b>Plain, Pickled &amp; Oiled</b>	1-5/8" x 1-5/8", 14 g
<b>G584HDG</b>	<b>Hot-dipped Galvanized</b>	1-5/8" x 1-5/8", 14 g
<b>G584SS</b>	<b>Stainless Steel (Grade 304 or 316)</b>	1-5/8" x 1-5/8", 14 g
<b>G584PVC</b>	<b>PVC Coated (Galvanized or Black)</b>	1-5/8" x 1-5/8", 14 g

\* Designate OS, LS, or H if perforation desired

Consult factory for special lengths, custom colors, and special finishes

# G382



	<b>G382OS</b> [Oval-Slot] 9/16" x 1-1/8" – 2" ON CTR
	<b>G382LS</b> [Long-Slot] 13/32" x 3" – 4" ON CTR
	<b>G382H</b> [Holes] 9/16" DIAM. – 1-7/8" ON CTR
	<b>G382A</b> [Back-to-Back] <b>WELDED</b>
	<b>G382KO</b> [Knock-out] 7/8" DIAM. – 6" ON CTR

1-3/8" x 1-5/8" – 12 gauge

## Pre-Galvanized Bundle Quantity – 500 ft. • Wt./100 ft. – 167 lbs.

Catalog No.	Description	
G3821	Solid, 10 ft.	1-3/8" x 1-5/8", pre-galv., 12 g
G3822	Solid, 20 ft.	1-3/8" x 1-5/8", pre-galv., 12 g
G382H1	With 9/16" Hole, 10 ft.	1-3/8" x 1-5/8", pre-galv., 12 g
G382H2	With 9/16" Hole, 20 ft.	1-3/8" x 1-5/8", pre-galv., 12 g
G382OS1	With 9/16" x 1-1/8" Slot, 10 ft.	1-3/8" x 1-5/8", pre-galv., 12 g
G382OS2	With 9/16" x 1-1/8" Slot, 20 ft.	1-3/8" x 1-5/8", pre-galv., 12 g
G382LS1	With 13/32" x 3" Slot, 10 ft.	1-3/8" x 1-5/8", pre-galv., 12 g
G382LS2	With 13/32" x 3" Slot, 20 ft.	1-3/8" x 1-5/8", pre-galv., 12 g
G382A1*	Back-to-Back Welded, 10 ft. (Wt./ ft.=334 lbs.)	2-3/4" x 1-5/8", pre-galv., 12 g
G382A2*	Back-to-Back Welded, 20 ft. (Wt./ ft.=334 lbs.)	2-3/4" x 1-5/8", pre-galv., 12 g
G382KO1	With 9/16" Knock-out, 10 ft.	1-3/8" x 1-5/8", pre-galv., 12 g
G382KO2	With 9/16" Knock-out, 20 ft.	1-3/8" x 1-5/8", pre-galv., 12 g

## Green

Bundle Quantity – 500 ft. • Wt./100 ft. – 167 lbs.

Catalog No.	Description	
G3821 POP	Solid, 10 ft.	1-3/8" x 1-5/8", green, 12 g
G3822 POP	Solid, 20 ft.	1-3/8" x 1-5/8", green, 12 g
G382H1 POP	With 9/16" Hole, 10 ft.	1-3/8" x 1-5/8", green, 12 g
G382H2 POP	With 9/16" Hole, 20 ft.	1-3/8" x 1-5/8", green, 12 g
G382OS1 POP	With 9/16" x 1-1/8" Slot, 10 ft.	1-3/8" x 1-5/8", green, 12 g
G382OS2 POP	With 9/16" x 1-1/8" Slot, 20 ft.	1-3/8" x 1-5/8", green, 12 g
G382LS1 POP	With 13/32" x 3" Slot, 10 ft.	1-3/8" x 1-5/8", green, 12 g
G382LS2 POP	With 13/32" x 3" Slot, 20 ft.	1-3/8" x 1-5/8", green, 12 g
G382A1 POP*	Back-to-Back Welded, 10 ft. (Wt./100 ft.=334 lbs.)	2-3/4" x 1-5/8", green, 12 g
G382A2 POP*	Back-to-Back Welded, 20 ft. (Wt./100 ft.=334 lbs.)	2-3/4" x 1-5/8", green, 12 g
G382KO1 POP	With 7/8" Knock-out, 10 ft.	1-3/8" x 1-5/8", green, 12 g
G382KO2 POP	With 7/8" Knock-out, 20 ft.	1-3/8" x 1-5/8", green, 12 g

## Special Finishes/Types (Consult factory for bundle quantities & weights)

Catalog No.*	Description	
G382YZ	Gregory Gold, Yellow Zinc Dichromate	1-3/8" x 1-5/8", 12 g
G382GN	Galvannealed (WIZcoat™)	1-3/8" x 1-5/8", 12 g
G382PO	Plain, Pickled & Oiled	1-3/8" x 1-5/8", 12 g
G382HDG	Hot-dipped Galvanized	1-3/8" x 1-5/8", 12 g
G382PVC	PVC Coated (Galvanized or Black)	1-3/8" x 1-5/8", 12 g

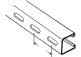
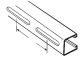
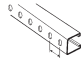


\* Designate OS, LS, or H if perforation desired

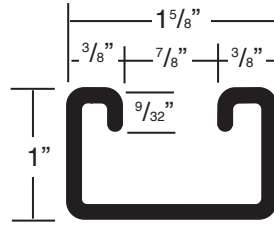
Consult factory for special lengths, custom colors, and special finishes



## G102

1" x 1-5/8" – 12 gauge

	<b>G102OS</b> [Oval-Slot] 9/16" x 1-1/8" – 2" ON CTR
	<b>G102LS</b> [Long-Slot] 13/32" x 3" – 4" ON CTR
	<b>G102H</b> [Holes] 9/16" DIAM. – 1-7/8" ON CTR
	<b>G102A</b> [Back-to-Back] WELDED
	<b>G102KO</b> [Knock-out] 7/8" DIAM. – 6" ON CTR

**Pre-Galvanized** Bundle Quantity – 500 ft. • Wt./100 ft. – 141 lbs.

Catalog No. Description

<b>G1021</b>	<b>Solid, 10 ft.</b>	1" x 1-5/8", pre-galv., 12 g
<b>G1022</b>	<b>Solid, 20 ft.</b>	1" x 1-5/8", pre-galv., 12 g
<b>G102H1</b>	<b>With 9/16" Hole, 10 ft.</b>	1" x 1-5/8", pre-galv., 12 g
<b>G102H2</b>	<b>With 9/16" Hole, 20 ft.</b>	1" x 1-5/8", pre-galv., 12 g
<b>G102OS1</b>	<b>With 9/16" x 1-1/8" Slot, 10 ft.</b>	1" x 1-5/8", pre-galv., 12 g
<b>G102OS2</b>	<b>With 9/16" x 1-1/8" Slot, 20 ft.</b>	1" x 1-5/8", pre-galv., 12 g
<b>G102LS1</b>	<b>With 13/32" x 3" Slot, 10 ft.</b>	1" x 1-5/8", pre-galv., 12 g
<b>G102LS2</b>	<b>With 13/32" x 3" Slot, 20 ft.</b>	1" x 1-5/8", pre-galv., 12 g
<b>G102A1*</b>	<b>Back-to-Back Welded, 10 ft. (Wt./100 ft.=282 lbs.)</b>	2" x 1-5/8", pre-galv., 12 g
<b>G102A2*</b>	<b>Back-to-Back Welded, 20 ft. (Wt./100 ft.=282 lbs.)</b>	2" x 1-5/8", pre-galv., 12 g
<b>G102KO1</b>	<b>With 9/16" Knock-out, 10 ft.</b>	1" x 1-5/8", pre-galv., 12 g
<b>G102KO2</b>	<b>With 9/16" Knock-out, 20 ft.</b>	1" x 1-5/8", pre-galv., 12 g

**Green**

Bundle Quantity – 500 ft. • Wt./100 ft. – 141 lbs.

Catalog No.

Description

<b>G1021 POP</b>	<b>Solid, 10 ft.</b>	1" x 1-5/8", green, 12 g
<b>G1022 POP</b>	<b>Solid, 20 ft.</b>	1" x 1-5/8", green, 12 g
<b>G102H1 POP</b>	<b>With 9/16" Hole, 10 ft.</b>	1" x 1-5/8", green, 12 g
<b>G102H2 POP</b>	<b>With 9/16" Hole, 20 ft.</b>	1" x 1-5/8", green, 12 g
<b>G102OS1 POP</b>	<b>With 9/16" x 1-1/8" Slot, 10 ft.</b>	1" x 1-5/8", green, 12 g
<b>G102OS2 POP</b>	<b>With 9/16" x 1-1/8" Slot, 20 ft.</b>	1" x 1-5/8", green, 12 g
<b>G102LS1 POP</b>	<b>With 13/32" x 3" Slot, 10 ft.</b>	1" x 1-5/8", green, 12 g
<b>G102LS2 POP</b>	<b>With 13/32" x 3" Slot, 20 ft.</b>	1" x 1-5/8", green, 12 g
<b>G102A1 POP*</b>	<b>Back-to-Back Welded, 10 ft. (Wt./100 ft.=282 lbs.)</b>	2" x 1-5/8", green, 12 g
<b>G102A2 POP*</b>	<b>Back-to-Back Welded, 20 ft. (Wt./100 ft.=282 lbs.)</b>	2" x 1-5/8", green, 12 g
<b>G102KO1 POP</b>	<b>With 7/8" Knock-out, 10 ft.</b>	1" x 1-5/8", green, 12 g
<b>G102KO2 POP</b>	<b>With 7/8" Knock-out, 20 ft.</b>	1" x 1-5/8", green, 12 g

**Special Finishes/Types** (Consult factory for bundle quantities & weights)

Catalog No.\*

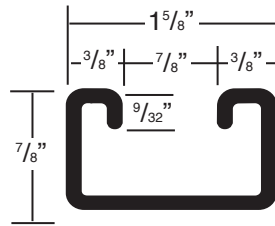
Description

<b>G102YZ</b>	<b>Gregory Gold, Yellow Zinc Dichromate</b>	1" x 1-5/8", 12 g
<b>G102GN</b>	<b>Galvannealed (WIZcoat™)</b>	1" x 1-5/8", 12 g
<b>G102PO</b>	<b>Plain, Pickled &amp; Oiled</b>	1" x 1-5/8", 12 g
<b>G102HDG</b>	<b>Hot-dipped galvanized</b>	1" x 1-5/8", 12 g
<b>G102PVC</b>	<b>PVC coated (Galvanized or Black)</b>	1" x 1-5/8", 12 g

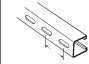
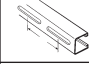
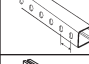


\* Designate OS, LS, or H if perforation desired

Consult factory for special lengths, custom colors, and special finishes

## G782



7/8" x 1-5/8" – 12 gauge

	<b>G782OS</b> [Oval-Slot] 9/16" x 1-1/8" – 2" ON CTR
	<b>G782LS</b> [Long-Slot] 13/32" x 3" – 4" ON CTR
	<b>G782H</b> [Holes] 9/16" DIAM. – 1-7/8" ON CTR
	<b>G782A</b> [Back-to-Back] WELDED
	<b>G782KO</b> [Knock-out] 7/8" DIAM. – 6" ON CTR

**Pre-Galvanized** Bundle Quantity – 500 ft. • Wt./100 ft. – 135 lbs.

Catalog No.	Description	
G7821	Solid, 10 ft.	7/8" x 1-5/8", pre-galv., 12 g
G7822	Solid, 20 ft.	7/8" x 1-5/8", pre-galv., 12 g
G782H1	With 9/16" Hole, 10 ft.	7/8" x 1-5/8", pre-galv., 12 g
G782H2	With 9/16" Hole, 20 ft.	7/8" x 1-5/8", pre-galv., 12 g
G782OS1	With 9/16" x 1-1/8" Slot, 10 ft.	7/8" x 1-5/8", pre-galv., 12 g
G782OS2	With 9/16" x 1-1/8" Slot, 20 ft.	7/8" x 1-5/8", pre-galv., 12 g
G782LS1	With 13/32" x 3" Slot, 10 ft.	7/8" x 1-5/8", pre-galv., 12 g
G782LS2	With 13/32" x 3" Slot, 20 ft.	7/8" x 1-5/8", pre-galv., 12 g
G782A1*	Back-to-Back Welded, 10 ft. (Wt./100 ft.=270 lbs.)	1-3/4" x 1-5/8", pre-galv., 12 g
G782A2*	Back-to-Back Welded, 20 ft. (Wt./100 ft.=270 lbs.)	1-3/4" x 1-5/8", pre-galv., 12 g
G782KO1	With 9/16" Knock-out, 10 ft.	7/8" x 1-5/8", pre-galv., 12 g
G782KO2	With 9/16" Knock-out, 20 ft.	7/8" x 1-5/8", pre-galv., 12 g

**Green**

Bundle Quantity – 500 ft. • Wt./100 ft. – 135 lbs.

Catalog No.	Description	
G7821 POP	Solid, 10 ft.	7/8" x 1-5/8", green, 12 g
G7822 POP	Solid, 20 ft.	7/8" x 1-5/8", green, 12 g
G782H1 POP	With 9/16" Hole, 10 ft.	7/8" x 1-5/8", green, 12 g
G782H2 POP	With 9/16" Hole, 20 ft.	7/8" x 1-5/8", green, 12 g
G782OS1 POP	With 9/16" x 1-1/8" Slot, 10 ft.	7/8" x 1-5/8", green, 12 g
G782OS2 POP	With 9/16" x 1-1/8" Slot, 20 ft.	7/8" x 1-5/8", green, 12 g
G782LS1 POP	With 13/32" x 3" Slot, 10 ft.	7/8" x 1-5/8", green, 12 g
G782LS2 POP	With 13/32" x 3" Slot, 20 ft.	7/8" x 1-5/8", green, 12 g
G782A1 POP*	Back-to-Back Welded, 10 ft. (Wt./100 ft.=270 lbs.)	1-3/4" x 1-5/8", green, 12 g
G782A2 POP*	Back-to-Back Welded, 20 ft. (Wt./100 ft.=270 lbs.)	1-3/4" x 1-5/8", green, 12 g
G782KO1 POP	With 7/8" Knock-out, 10 ft.	7/8" x 1-5/8", green, 12 g
G782KO2 POP	With 7/8" Knock-out, 20 ft.	7/8" x 1-5/8", green, 12 g

**Special Finishes/Types** (Consult factory for bundle quantities & weights)

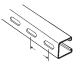
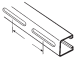
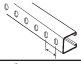
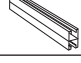

Catalog No.	Description	
G782YZ	Gregory Gold, Yellow Zinc Dichromate	7/8" x 1-5/8", 12 g
G782PO	Plain, Pickled & Oiled	7/8" x 1-5/8", 12 g
G782HDG	Hot-dipped Galvanized	7/8" x 1-5/8", 12 g
G782PVC	PVC Coated (Galvanized or Black)	7/8" x 1-5/8", 12 g

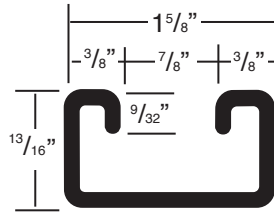
\* Designate OS, LS, or H if perforation desired

Consult factory for special lengths, custom colors, and special finishes

## G132

13/16" x 1-5/8" – 12 gauge

	<b>G132OS</b> [Oval-Slot] 9/16" x 1-1/8" – 2" ON CTR
	<b>G132LS</b> [Long-Slot] 13/32" x 3" – 4" ON CTR
	<b>G132H</b> [Holes] 9/16" DIAM. – 1-7/8" ON CTR
	<b>G132A</b> [Back-to-Back] WELDED
	<b>G132KO</b> [Knock-Out] 7/8" DIAM. – 6" ON CTR

**Pre-Galvanized** Bundle Quantity – 500 ft. • Wt./100 ft. – 132 lbs.

Catalog No.	Description	
<b>G1321</b>	<b>Solid, 10 ft.</b>	13/16" x 1-5/8", pre-galv., 12 g
<b>G1322</b>	<b>Solid, 20 ft.</b>	13/16" x 1-5/8", pre-galv., 12 g
<b>G132H1</b>	<b>With 9/16" Hole, 10 ft.</b>	13/16" x 1-5/8", pre-galv., 12 g
<b>G132H2</b>	<b>With 9/16" Hole, 20 ft.</b>	13/16" x 1-5/8", pre-galv., 12 g
<b>G132OS1</b>	<b>With 9/16" x 1-1/8" Slot, 10 ft.</b>	13/16" x 1-5/8", pre-galv., 12 g
<b>G132OS2</b>	<b>With 9/16" x 1-1/8" Slot, 20 ft.</b>	13/16" x 1-5/8", pre-galv., 12 g
<b>G132LS1</b>	<b>With 13/32" x 3" Slot, 10 ft.</b>	13/16" x 1-5/8", pre-galv., 12 g
<b>G132LS2</b>	<b>With 13/32" x 3" Slot, 20 ft.</b>	13/16" x 1-5/8", pre-galv., 12 g
<b>G132A1*</b>	<b>Back-to-Back Welded, 10 ft. (Wt./100 ft.=264 lbs.)</b>	1-5/8" x 1-5/8", pre-galv., 12 g
<b>G132A2*</b>	<b>Back-to-Back Welded, 20 ft. (Wt./100 ft.=264 lbs.)</b>	1-5/8" x 1-5/8", pre-galv., 12 g
<b>G132KO1</b>	<b>With 9/16" Knock-out, 10 ft.</b>	13/16" x 1-5/8", pre-galv., 12 g
<b>G132KO2</b>	<b>With 9/16" Knock-out, 20 ft.</b>	13/16" x 1-5/8", pre-galv., 12 g

**Green**

Bundle Quantity – 500 ft. • Wt./100 ft. – 132 lbs.

Catalog No.	Description	
<b>G1321 POP</b>	<b>Solid, 10 ft.</b>	13/16" x 1-5/8", green, 12 g
<b>G1322 POP</b>	<b>Solid, 20 ft.</b>	13/16" x 1-5/8", green, 12 g
<b>G132H1 POP</b>	<b>With 9/16" Hole, 10 ft.</b>	13/16" x 1-5/8", green, 12 g
<b>G132H2 POP</b>	<b>With 9/16" Hole, 20 ft.</b>	13/16" x 1-5/8", green, 12 g
<b>G132OS1 POP</b>	<b>With 9/16" x 1-1/8" Slot, 10 ft.</b>	13/16" x 1-5/8", green, 12 g
<b>G132OS2 POP</b>	<b>With 9/16" x 1-1/8" Slot, 20 ft.</b>	13/16" x 1-5/8", green, 12 g
<b>G132LS1 POP</b>	<b>With 13/32" x 3" Slot, 10 ft.</b>	13/16" x 1-5/8", green, 12 g
<b>G132LS2 POP</b>	<b>With 13/32" x 3" Slot, 20 ft.</b>	13/16" x 1-5/8", green, 12 g
<b>G132A1 POP*</b>	<b>Back-to-Back Welded, 10 ft. (Wt./100 ft.=264 lbs.)</b>	1-5/8" x 1-5/8", green, 12 g
<b>G132A2 POP*</b>	<b>Back-to-Back Welded, 20 ft. (Wt./100 ft.=264 lbs.)</b>	1-5/8" x 1-5/8", green, 12 g
<b>G132KO1 POP</b>	<b>With 7/8" Knock-out, 10 ft.</b>	13/16" x 1-5/8", green, 12 g
<b>G132KO2 POP</b>	<b>With 7/8" Knock-out, 20 ft.</b>	13/16" x 1-5/8", green, 12 g

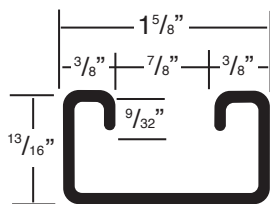
**Special Finishes/Types** (Consult factory for bundle quantities & weights)

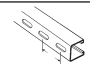
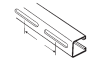
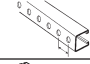
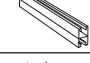

Catalog No.*	Description	
<b>G132YZ</b>	<b>Gregory Gold, Yellow Zinc Dichromate</b>	13/16" x 1-5/8", 12 g
<b>G132GN</b>	<b>Galvannealed (WIZcoat™)</b>	13/16" x 1-5/8", 12 g
<b>G132PO</b>	<b>Plain, Pickled &amp; Oiled</b>	13/16" x 1-5/8", 12 g
<b>G132HDG</b>	<b>Hot-dipped Galvanized</b>	13/16" x 1-5/8", 12 g
<b>G132PVC</b>	<b>PVC Coated (Galvanized or Black)</b>	13/16" x 1-5/8", 12 g

\* Designate OS, LS, or H if perforation desired

Consult factory for special lengths, custom colors, and special finishes

## G134



	<b>G134OS</b> [Oval-Slot] 9/16" x 1-1/8" – 2" ON CTR
	<b>G134LS</b> [Long-Slot] 13/32" x 3" – 4" ON CTR
	<b>G134H</b> [Holes] 9/16" DIAM. – 1-7/8" ON CTR
	<b>G134A</b> [Back-to-Back] WELDED
	<b>G134KO</b> [Knock-Out] 7/8" DIAM. – 6" ON CTR

13/16" x 1-5/8" – 14 gauge

**Pre-Galvanized** Bundle Quantity – 500 ft. • Wt./100 ft. – 101 lbs.

Catalog No.	Description	
<b>G1341</b>	<b>Solid, 10 ft.</b>	13/16" x 1-5/8", pre-galv., 14 g
<b>G1342</b>	<b>Solid, 20 ft.</b>	13/16" x 1-5/8", pre-galv., 14 g
<b>G134H1</b>	<b>With 9/16" Hole, 10 ft.</b>	13/16" x 1-5/8", pre-galv., 14 g
<b>G134H2</b>	<b>With 9/16" Hole, 20 ft.</b>	13/16" x 1-5/8", pre-galv., 14 g
<b>G134OS1</b>	<b>With 9/16" x 1-1/8" Slot, 10 ft.</b>	13/16" x 1-5/8", pre-galv., 14 g
<b>G134OS2</b>	<b>With 9/16" x 1-1/8" Slot, 20 ft.</b>	13/16" x 1-5/8", pre-galv., 14 g
<b>G134LS1</b>	<b>With 13/32" x 3" Slot, 10 ft.</b>	13/16" x 1-5/8", pre-galv., 14 g
<b>G134LS2</b>	<b>With 13/32" x 3" Slot, 20 ft.</b>	13/16" x 1-5/8", pre-galv., 14 g
<b>G134A1*</b>	<b>Back-to-Back Welded, 10 ft. (Wt./100 ft.=202 lbs.)</b>	1-5/8" x 1-5/8", pre-galv., 14 g
<b>G134A2*</b>	<b>Back-to-Back Welded, 20 ft. (Wt./100 ft.=202 lbs.)</b>	1-5/8" x 1-5/8", pre-galv., 14 g
<b>G134KO1</b>	<b>With 9/16" Knock-out, 10 ft.</b>	13/16" x 1-5/8", pre-galv., 14 g
<b>G134KO2</b>	<b>With 9/16" Knock-out, 20 ft.</b>	13/16" x 1-5/8", pre-galv., 14 g

**Green**

Bundle Quantity – 500 ft. • Wt./100 ft. – 101 lbs.

Catalog No.	Description	
<b>G1341 POP</b>	<b>Solid, 10 ft.</b>	13/16" x 1-5/8", green, 14 g
<b>G1342 POP</b>	<b>Solid, 20 ft.</b>	13/16" x 1-5/8", green, 14 g
<b>G134H1 POP</b>	<b>With 9/16" Hole, 10 ft.</b>	13/16" x 1-5/8", green, 14 g
<b>G134H2 POP</b>	<b>With 9/16" Hole, 20 ft.</b>	13/16" x 1-5/8", green, 14 g
<b>G134OS1 POP</b>	<b>With 9/16" x 1-1/8" Slot, 10 ft.</b>	13/16" x 1-5/8", green, 14 g
<b>G134OS2 POP</b>	<b>With 9/16" x 1-1/8" Slot, 20 ft.</b>	13/16" x 1-5/8", green, 14 g
<b>G134LS1 POP</b>	<b>With 13/32" x 3" Slot, 10 ft.</b>	13/16" x 1-5/8", green, 14 g
<b>G134LS2 POP</b>	<b>With 13/32" x 3" Slot, 20 ft.</b>	13/16" x 1-5/8", green, 14 g
<b>G134A1 POP*</b>	<b>Back-to-Back Welded, 10 ft. (Wt./100 ft.=202 lbs.)</b>	1-5/8" x 1-5/8", green, 14 g
<b>G134A2 POP*</b>	<b>Back-to-Back Welded, 20 ft. (Wt./100 ft.=202 lbs.)</b>	1-5/8" x 1-5/8", green, 14 g
<b>G134KO1 POP</b>	<b>With 7/8" Knock-out, 10 ft.</b>	13/16" x 1-5/8", green, 14 g
<b>G134KO2 POP</b>	<b>With 7/8" Knock-out, 20 ft.</b>	13/16" x 1-5/8", green, 14 g

**Special Finishes/Types** (Consult factory for bundle quantities & weights)

Catalog No.*	Description	
<b>G134YZ</b>	<b>Gregory Gold, Yellow Zinc Dichromate</b>	13/16" x 1-5/8", 14 g
<b>G134AL</b>	<b>Aluminum Extruded</b>	13/16" x 1-5/8", 14 g
<b>G134GN</b>	<b>Galvannealed (WIZcoat™)</b>	13/16" x 1-5/8", 14 g
<b>G134PO</b>	<b>Plain, Pickled &amp; Oiled</b>	13/16" x 1-5/8", 14 g
<b>G134HDG</b>	<b>Hot-dipped Galvanized</b>	13/16" x 1-5/8", 14 g
<b>G134SS</b>	<b>Stainless Steel (Grade 304 or 316)</b>	13/16" x 1-5/8", 14 g
<b>G134PVC</b>	<b>PVC Coated (Galvanized or Black)</b>	13/16" x 1-5/8", 14 g

\* Designate OS, LS, or H if perforation desired

Consult factory for special lengths, custom colors, and special finishes

## SECTION 2

# G-STRUT® Hardware

**Material:**

G-STRUT® channel nuts are made of steel conforming to ASTM A575, Grade M1015, 3/8" or thicker.

**Finishes:**

G-STRUT® channel nuts and hardware are produced in a standard electro-galvanized finish. Special finishes, including stainless, painted, and hot-dipped are available upon request.

**Ordering:**

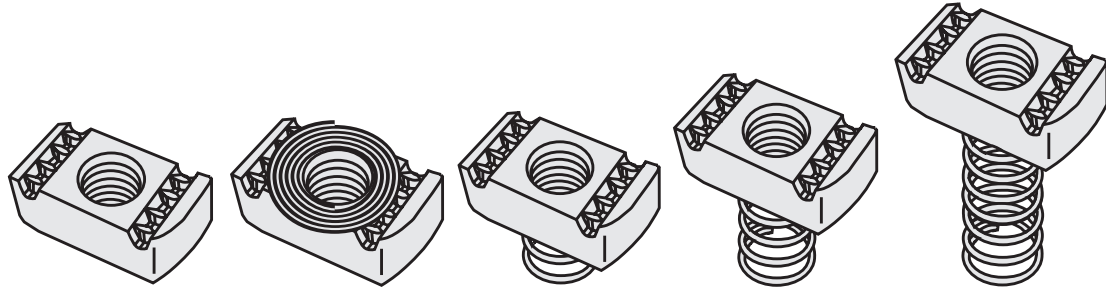
Please note hardware description and strut application when placing orders.

Minimum order on hardware is equal to carton quantity.





# REGULAR CHANNEL NUTS



THREAD SIZE	THICKNESS	NO SPRING ALL CHANNEL 100 PCS/CTN	TOP SPRING ALL CHANNEL 100 PCS/CTN	SHORT SPRING 13/16 CHANNEL 100 PCS/CTN	REGULAR SPRING 1-5/8 CHANNEL 100 PCS/CTN	LONG SPRING 3-1/4 CHANNEL 50 PCS/CTN
8-32	1/4"	<b>GN832800</b> 6.1 LBS/100 PCS	<b>GTSN832800</b> 6.4 LBS/100 PCS	<b>GN832810</b> 6.4 LBS/100 PCS	<b>GN832820</b> 6.7 LBS/100 PCS	<b>GN832830</b> 7 LBS/100 PCS
10-32	1/4"	<b>GN1032800</b> 5.9 LBS/100 PCS	<b>GTSN1032800</b> 6.2 LBS/100 PCS	<b>GN1032810</b> 6.2 LBS/100 PCS	<b>GN1032820</b> 6.5 LBS/100 PCS	<b>GN1032830</b> 6.8 LBS/100 PCS
10-24	1/4"	<b>GN1024800</b> 5.9 LBS/100 PCS	<b>GTSN1024800</b> 6.2 LBS/100 PCS	<b>GN1024810</b> 6.2 LBS/100 PCS	<b>GN1024820</b> 6.5 LBS/100 PCS	<b>GN1024830</b> 6.8 LBS/100 PCS
1/4-20	1/4"	<b>GN800</b> 6 LBS/100 PCS	<b>GTSN800</b> 6 LBS/100 PCS	<b>GN810</b> 7 LBS/100 PCS	<b>GN820</b> 7 LBS/100 PCS	<b>GN830</b> 7 LBS/100 PCS
3/8-16	3/8"	<b>GN801</b> 9 LBS/100 PCS	<b>GTSN801</b> 9 LBS/100 PCS	<b>GN811</b> 9 LBS/100 PCS	<b>GN821</b> 10 LBS/100 PCS	<b>GN831</b> 10 LBS/100 PCS
1/2-13	3/8"	<b>GN802</b> 9 LBS/100 PCS	<b>GTSN802</b> 9 LBS/100 PCS	<b>GN812</b> 9 LBS/100 PCS	<b>GN822</b> 10 LBS/100 PCS	<b>GN832</b> 10 LBS/100 PCS
1/2-13	1/2"	<b>GN803</b> 12 LBS/100 PCS	-	-	<b>GN823</b> 13 LBS/100 PCS	<b>GN833</b> 13 LBS/100 PCS
5/8-11	7/16"	<b>GN804</b> 13 LBS/100 PCS	-	-	<b>GN824</b> 13 LBS/100 PCS	<b>GN834</b> 13 LBS/100 PCS
3/4-10	7/16"	<b>GN805</b> 13 LBS/100 PCS	-	-	<b>GN825</b> 13 LBS/100 PCS	<b>GN835</b> 13 LBS/100 PCS
5/8-11	3/8"	<b>GN806</b> 13 LBS/100 PCS	-	<b>GN814</b> 10 LBS/100 PCS	-	-
3/4-10	3/8"	<b>GN807</b> 13 LBS/100 PCS	-	<b>GN815</b> 9 LBS/100 PCS	-	-
5/16-18	3/8"	<b>GN808</b> 7 LBS/100 PCS	<b>GTSN808</b> 7 LBS/100 PCS	<b>GN818</b> 7 LBS/100 PCS	<b>GN828</b> 7 LBS/100 PCS	<b>GN838</b> 7 LBS/100 PCS
7/8-9	7/16"	<b>GN809</b> 13 LBS/100 PCS	-	-	<b>GN829</b> 13 LBS/100 PCS	-
M6-1	1/4"	<b>GNM6800</b> 6.6 LBS/100 PCS	-	<b>GNM6810</b> 5.5 LBS/100 PCS	<b>GNM6820</b> 5.8 LBS/100 PCS	<b>GNM6830</b> 6.1 LBS/100 PCS
M8-1.25	1/4"	<b>GNM8800</b> 5.5 LBS/100 PCS	-	<b>GNM8810</b> 5.8 LBS/100 PCS	<b>GNM8820</b> 5.8 LBS/100 PCS	<b>GNM8830</b> 6.1 LBS/100 PCS
M10-1.5	3/8"	<b>GNM10801</b> 7.8 LBS/100 PCS	-	<b>GNM10811</b> 8.1 LBS/100 PCS	<b>GNM10821</b> 8.4 LBS/100 PCS	<b>GNM10831</b> 8.7 LBS/100 PCS
M12-1.75	3/8"	<b>GNM12801</b> 7.4 LBS/100 PCS	-	<b>GNM12811</b> 7.7 LBS/100 PCS	<b>GNM12821</b> 8 LBS/100 PCS	<b>GNM12831</b> 8.3 LBS/100 PCS
M12-1.75	1/2"	<b>GNM12803</b> 9.5 LBS/100 PCS	-	-	<b>GNM12823</b> 10 LBS/100 PCS	-

\* G-Strut channel nuts are case hardened, made from steel conforming to ASTM A575, Grade M1015 3/8" or thicker \*

All parts are electro-galvanized. For other finishes please specify finish type by adding the following suffix to the part #:

STAINLESS STEEL = SS  
HOT DIP GALVANIZED = HDG

Example:

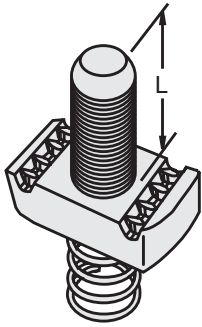
When Ordering 3/8 - 16 Thread, 3/8" Thickness, Regular Spring, Hot Dip Galvanized Spring Nut the Part # Would Be:

GN821HDG

\* FINISH: ELECTRO-GALVANIZED • ALSO AVAILABLE IN STAINLESS STEEL & HOT DIP GALVANIZED \*

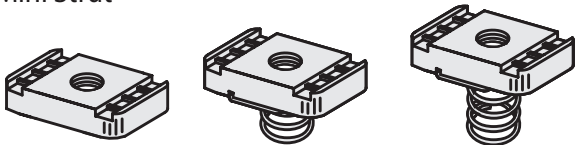
# SPECIALTY CHANNEL NUTS

## REGULAR SPRING CHANNEL NUTS WITH STUDS




## MINI CHANNEL NUTS

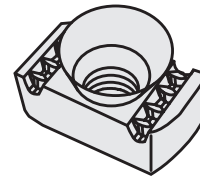
For Mini Strut



THREAD SIZE	NO SPRING	SHORT SPRING	LONG SPRING	CARTON QTY.
8-32	-	GMN832S	GMN832	200
10-32	GMN1032N	GMN1032S	GMN1032	200
10-24	GMN1024N	GMN1024S	GMN1024	200
1/4-20	GMN025N	GMN025S	GMN025	200

## EZ NUTS

For All Channel

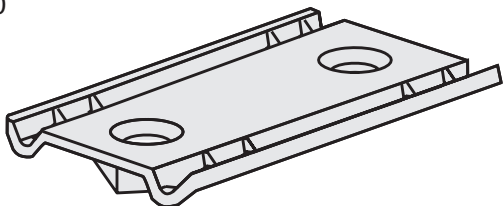


PART #	THREAD SIZE	THICKNESS	CARTON QTY.	LBS./ 100pcs
GCN800	1/4-20	3/8"	100	9
GCN801	3/8-16	3/8"	100	9
GCN802	1/2-13	3/8"	100	8

## 3/8" DOUBLE CONVEYOR ADJUSTING NUT

### GDCN031

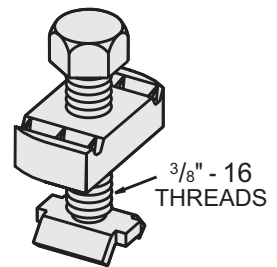
50/CTN  
17 LBS/100



## SEISMIC ROD STIFFENER

### GRS375062

100/CTN  
16 LBS/100

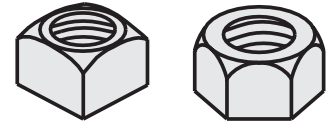


SCREWS



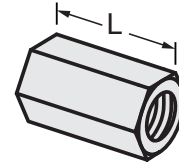
THREAD SIZE	LENGTH	HEX HEAD CAP 100 PCS/CTN	FLAT HEAD 100 PCS/CTN	ROUND HEAD MACHINE 100 PCS/CTN
1/4-20	1/2	GHH25050 1 LBS/100 PCS	-	-
1/4-20	5/8	-	GFH062 1.2 LBS/100 PCS	-
1/4-20	3/4	GHH25075 1.3 LBS/100 PCS	-	GRH1075 1.2 LBS/100 PCS
1/4-20	1"	GHH25100 1.7 LBS/100 PCS	-	GRH1100 1.5 LBS/100 PCS
1/4-20	1-1/4"	-	-	GRH1125 1.8 LBS/100 PCS
5/16-18	1"	-	GFH100 2.6 LBS/100 PCS	GRH2100 2.6 LBS/100 PCS
5/16-18	1-1/4"	-	-	GRH2125 3 LBS/100 PCS
5/16-18	1-1/2"	-	-	GRH2150 3.5 LBS/100 PCS
3/8-16	3/4"	GHH375075 4 LBS/100 PCS	-	-
3/8-16	1"	GHH375100 4.5 LBS/100 PCS	-	GRH3100 4.1 LBS/100 PCS
3/8-16	1-1/4"	GHH375125 5.3 LBS/100 PCS	-	GRH3125 4.7 LBS/100 PCS
3/8-16	1-1/2"	GHH375150 6.1 LBS/100 PCS	-	GRH3150 5.3 LBS/100 PCS
3/8-16	2"	GHH375200 7.6 LBS/100 PCS	GFH200 6.5 LBS/100 PCS	-
3/8-16	2-1/4"	GHH375225 8.5 LBS/100 PCS	GFH225 7.1 LBS/100 PCS	-
3/8-16	2-1/2"	-	GFH250 7.7 LBS/100 PCS	GRH3250 7.7 LBS/100 PCS
1/2-13	1"	GHH50100 9.1 LBS/100 PCS	-	-
1/2-13	1-1/4"	GHH50125 10 LBS/100 PCS	-	-
1/2-13	1-1/2"	GHH50150 11.6 LBS/100 PCS	-	-
1/2-13	1-3/4"	GHH50175 13.2 LBS/100 PCS	-	-
1/2-13	2"	GHH50200 14.7 LBS/100 PCS	-	-
1/2-13	2-1/4"	GHH50225 16 LBS/100 PCS	-	-
1/2-13	2-1/2"	GHH50250 17.5 LBS/100 PCS	-	-

NUTS



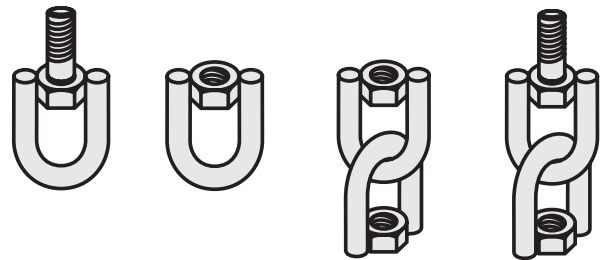
THREAD SIZE	SQUARE NUTS 100 PCS/CTN	HEX NUTS 100 PCS/CTN
1/4-20	GSN025 0.9 LBS/100 PCS	GHN025 0.6 LBS/100 PCS
5/16-18	GSN3125 1.6 LBS/100 PCS	GHN3125 1.2 LBS/100 PCS
3/8-16	GSN375 2.7 LBS/100 PCS	GHN375 1.6 LBS/100 PCS
1/2-13	GSN050 5.8 LBS/100 PCS	GHN050 4.8 LBS/100 PCS

ROD COUPLERS



PART #	THREAD SIZE	LENGTH (L)	CARTON QTY.	LBS./100 PCS
GRC025	1/4-20	7/8"	100	2
GRC037	3/8-16	1-3/4"	100	11
GRC050	1/2-13	1-3/4"	100	11
GRC062	5/8-11	2-1/8"	100	16
GRC075	3/4-10	2-1/4"	100	28

SWIVELS



WASHERS

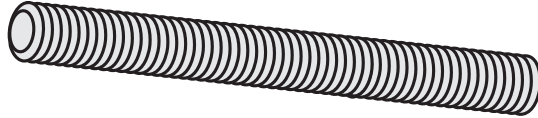


HOLE SIZE	LOCK WASHER 100 PCS/CTN	FLAT WASHER 100 PCS/CTN	FENDER WASHER 100 PCS/CTN
1/4"	GLW025 0.7 LBS/100 PCS	GFW025 0.7 LBS/100 PCS	GFDW025 3 LBS/100 PCS
3/8"	GLW375 1.5 LBS/100 PCS	GFW375 1.5 LBS/100 PCS	GFDW037 3 LBS/100 PCS
1/2"	GLW050 3.5 LBS/100 PCS	GFW050 3.5 LBS/100 PCS	GFDW050 3 LBS/100 PCS

THREAD SIZE	STUD LENGTH	MALE SWIVEL 25 PCS/CTN	FEMALE SWIVEL 25 PCS/CTN	FEMALE/FEMALE SWIVEL 50 PCS/CTN	FEMALE/MALE SWIVEL 50 PCS/CTN
3/8-16	1"	GSNHM037 15 LBS/100 PCS	-	-	GSNHFM037 26 LBS/100 PCS
3/8-16	-	-	GSNHFO37 12 LBS/100 PCS	GSNHFF037 24 LBS/100 PCS	-
1/2-13	1"	GSNHM050 20 LBS/100 PCS	-	-	GSNHFM050 35 LBS/100 PCS
1/2-13	-	-	GSNHFO50 12 LBS/100 PCS	GSNHFF050 24 LBS/100 PCS	-

\* FINISH: ELECTRO-GALVANIZED \*

# ALL-THREADED ROD



PART #	THREAD SIZE	ROD LENGTH	PCS./ TUBE	TUBES/ BUNDLES	LBS./ PIECE
GAT0256	1/4 - 20	6'	50	40	.7
GAT02510		10'		25	1.2
GAT02512		12'		25	1.4
GAT0316	5/16 - 18	6'	35	40	1.1
GAT03110		10'		25	1.9
GAT03112		12'		25	2.3
GAT0376	3/8 - 16	6'	25	40	1.7
GAT03710		10'		25	2.9
GAT03712		12'		25	3.5
GAT0506	1/2 - 13	6'	12	40	3.2
GAT05010		10'		25	5.3
GAT05012		12'		25	6.4
GAT0626	5/8 - 11	6'	8	40	5.0
GAT06210		10'		25	8.3
GAT06212		12'		25	10.0
GAT0756	3/4 - 10	6'	5	40	7.3
GAT07510		10'		25	12.2
GAT07512		12'		25	14.6
GAT0876	7/8-99	6'	4	40	9.9
GAT08710		10'		25	16.5
GAT08712		12'		25	19.8
GAT1006	1-88	6'	2	50	13.3
GAT10010		10'		50	22.2
GAT10012		12'		50	26.6
GAT1126	1-1/8 - 7	6'	1	10	16.9
GAT11210		10'		10	28.1
GAT11212		12'		10	33.7
GAT1256	1-1/4 - 7	6'	1	10	21.0
GAT12510		10'		10	35.0
GAT12512		12'		10	42.0

All parts are electro-galvanized. For other finishes please specify finish type by adding the following suffix to the part #:

STAINLESS STEEL (304) = SS  
 STAINLESS STEEL (316) = SS(316)  
 HOT DIP GALVANIZED = HDG  
 PLAIN = PO

Example:  
 When Ordering 10' Long, 1/2" Size, Hot Dip Galvanized All-Thread the Part # Would Be:

GAT05010HDG

\* NOTE: The 5/16", 1-1/8", 1-1/4" sizes are only available in the Electro-Galvanized finish. \*

\* NOTE: The 1/4" sizes are not available in the Hot Dip Galvanized finish. \*

\* FINISH: ELECTRO-GALVANIZED • ALSO AVAILABLE IN STAINLESS STEEL, HOT DIP GALVANIZED & PLAIN STEEL \*



## SECTION 3

### G-Strut® Fittings & Accessories

**General:**

G-Strut® fittings and accessories allow the assembly of even complex support and storage designs with basic hand tools.

**Material:**

Most fittings are made from 1/4" thick carbon steel to an approximated 1-5/8" width to match or accommodate G-Strut® channel products. Note dimensions shown for assembly compatibility.

**Finishes:**

Standard finish for accessories is electro-galvanized. Consult factory for other finishes.

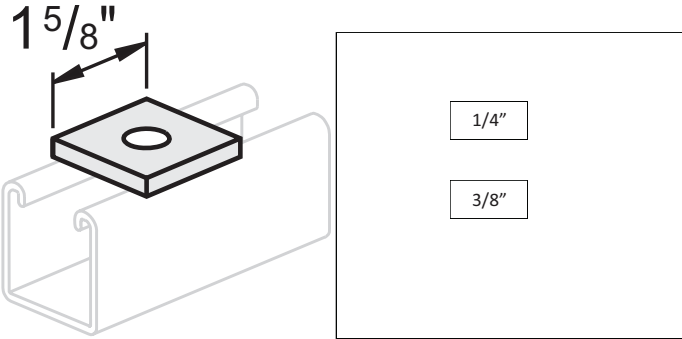




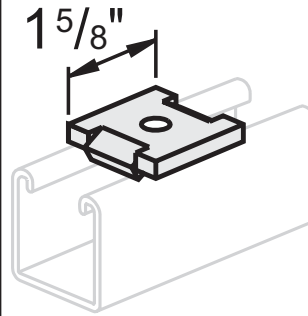
# FLAT PLATE FITTINGS

Fittings & Accessories

## SQUARE WASHER

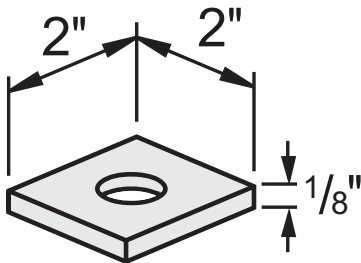


## NO-TURN SQUARE WASHER



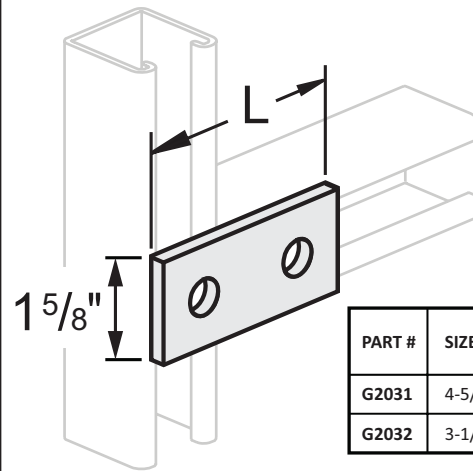
PART #	HOLE SIZE	CARTON QTY.	LBS./ 100pcs
G202025	1/4"	100	16
G202031	5/16"	100	16
G202037	3/8"	100	16
G202050	1/2"	100	16
G202062	5/8"	100	16
G202075	3/4"	100	16

## 2"x 2" SQUARE WASHER



PART #	HOLE SIZE	CARTON QTY.	LBS./ 100pcs
G203037	3/8"	100	13
G203050	1/2"	100	13

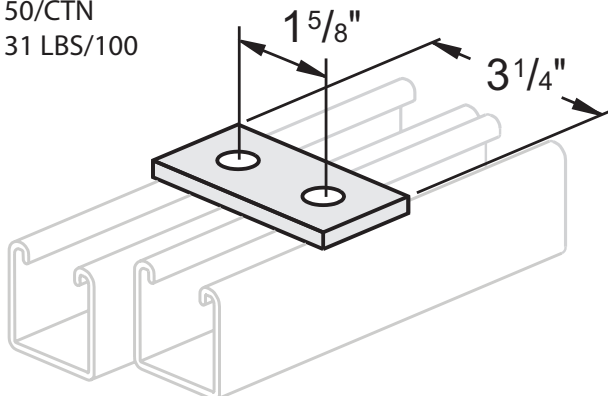
## 2 HOLE FLAT PLATE CONNECTOR



PART #	SIZE (L)	CARTON QTY.	LBS./ 100pcs
G2031	4-5/8"	50	50
G2032	3-1/2"	50	33

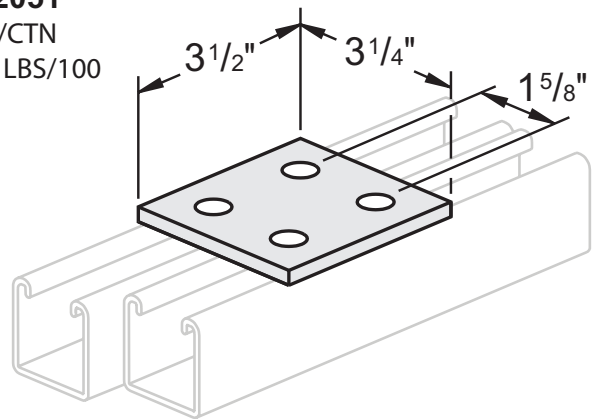
## 2 HOLE SPLICE PLATE

**G2033**  
50/CTN  
31 LBS/100



## 4 HOLE SPLICE PLATE

**G2051**  
25/CTN  
74 LBS/100



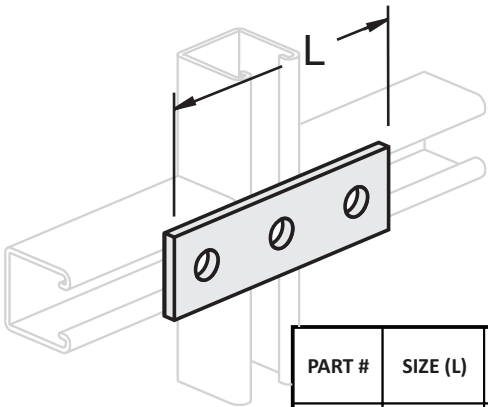
\* MATERIAL IS 1-5/8" WIDE x 1/4" THICK UNLESS SPECIFIED • HOLES ARE 9/16" DIAMETER UNLESS SPECIFIED \*

# FLAT PLATE FITTINGS

G-STRUT®

Section 3

## 3 HOLE SPLICE PLATE



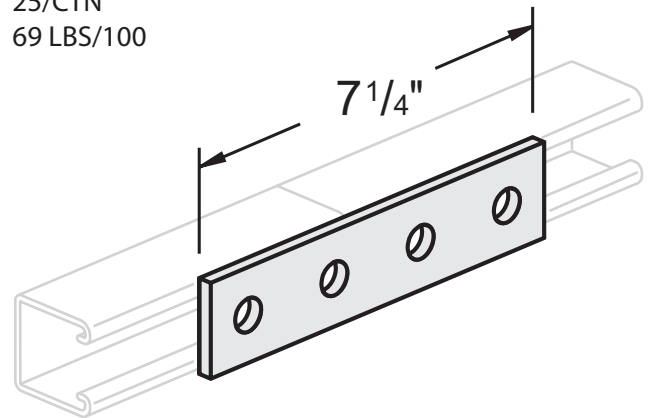
PART #	SIZE (L)	CARTON QTY.	LBS./100pcs
G206	5-3/8"	50	58
G2061	4-7/8"	20	50

## 4 HOLE SPLICE PLATE

**G205**

25/CTN

69 LBS/100

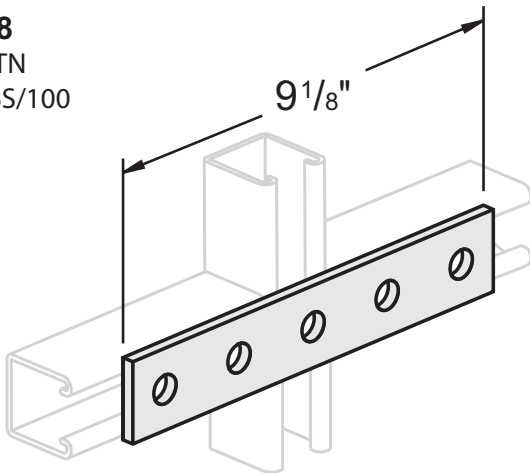


## 5 HOLE CONNECTOR PLATE

**G208**

25/CTN

95 LBS/100

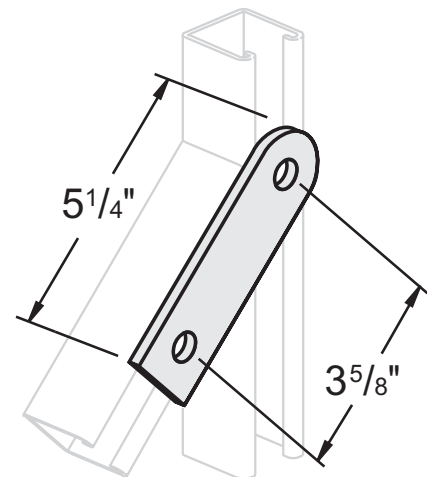


## 2 HOLE SWIVEL PLATE

**G2071**

25/CTN

49 LBS/100

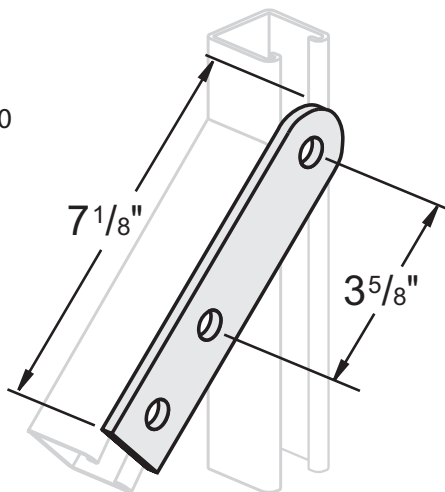


## 3 HOLE SWIVEL PLATE

**G207**

25/CTN

76 LBS/100

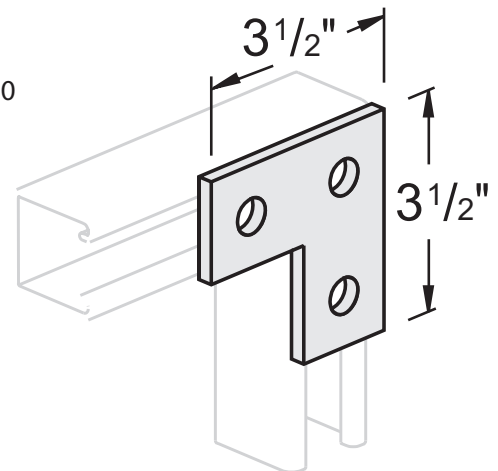


## 3 HOLE FLAT ANGLE PLATE

**G210**

50/CTN

50 LBS/100



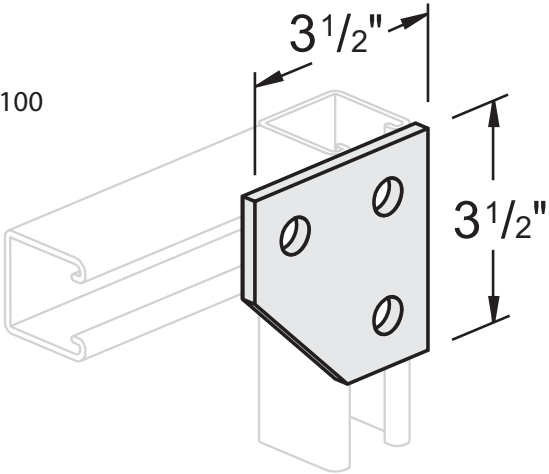
\* MATERIAL IS 1-5/8" WIDE x 1/4" THICK UNLESS SPECIFIED • HOLES ARE 9/16" DIAMETER UNLESS SPECIFIED \*

# FLAT PLATE FITTINGS

Fittings & Accessories

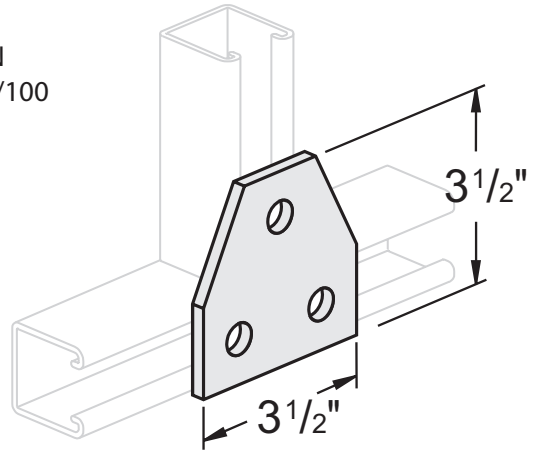
**3 HOLE CORNER CONNECTOR**

**G211**  
25/CTN  
70 LBS/100



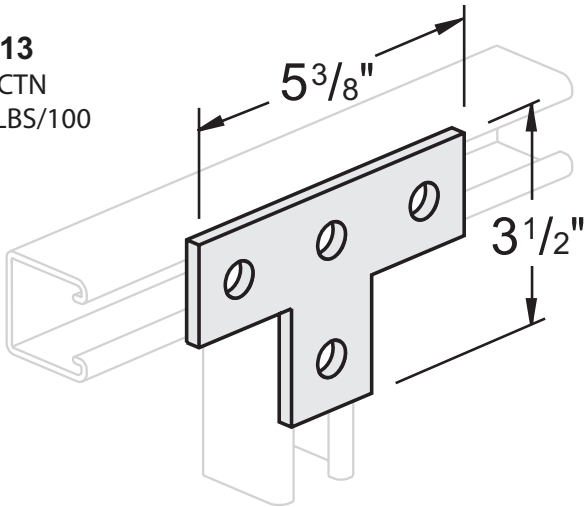
**3 HOLE CONNECTOR PLATE**

**G212**  
50/CTN  
70 LBS/100



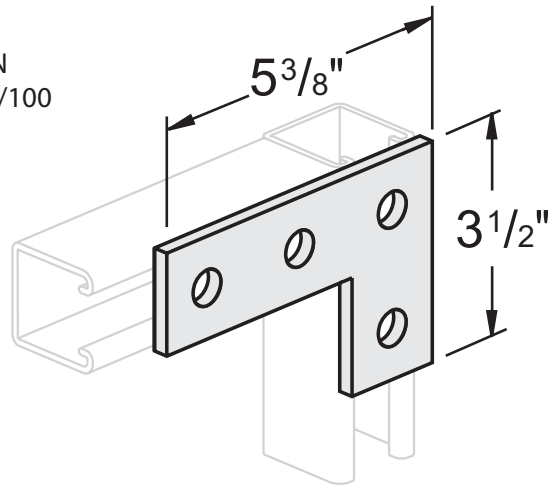
**4 HOLE TEE PLATE**

**G213**  
25/CTN  
66 LBS/100



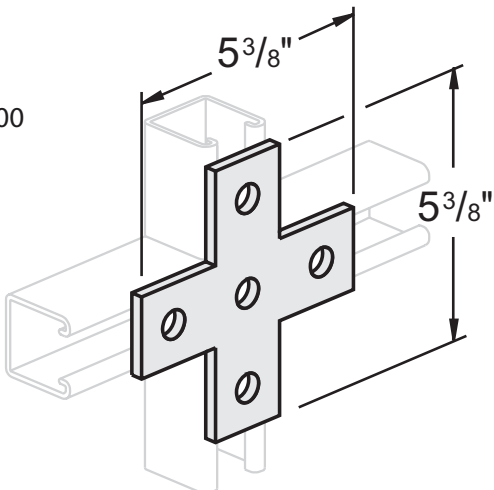
**4 HOLE CORNER JOINER PLATE**

**G214**  
20/CTN  
69 LBS/100



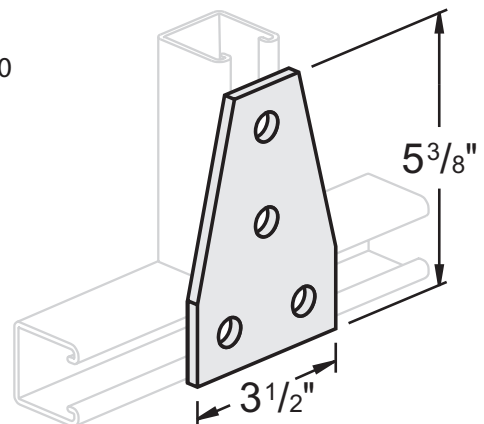
**5 HOLE CROSS PLATE**

**G216**  
25/CTN  
90 LBS/100



**4 HOLE CONNECTOR PLATE**

**G217**  
25/CTN  
93 LBS/100



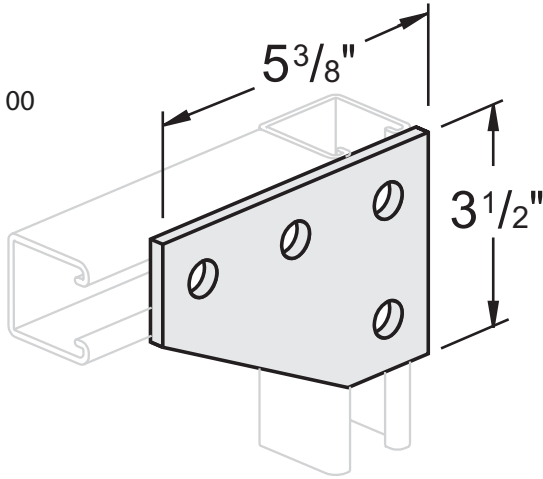
\* MATERIAL IS 1-5/8" WIDE x 1/4" THICK UNLESS SPECIFIED • HOLES ARE 9/16" DIAMETER UNLESS SPECIFIED \*

# FLAT PLATE FITTINGS

Fittings &  
Accessories

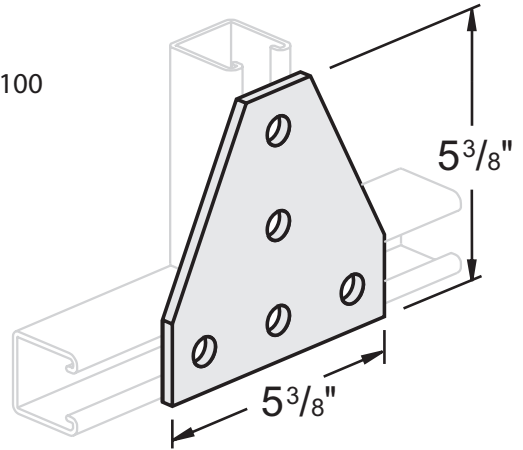
**4 HOLE CORNER CONNECTOR PLATE**

**G218**  
25/CTN  
92 LBS/100



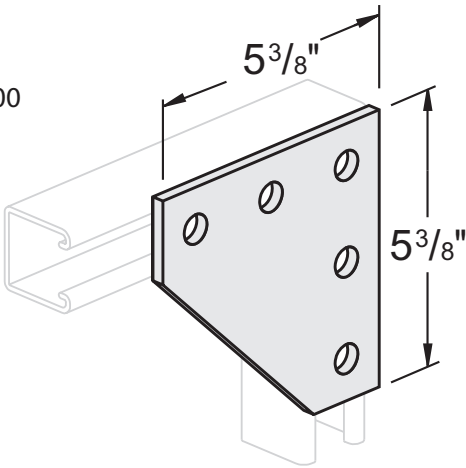
**5 HOLE CONNECTOR PLATE**

**G219**  
25/CTN  
143 LBS/100



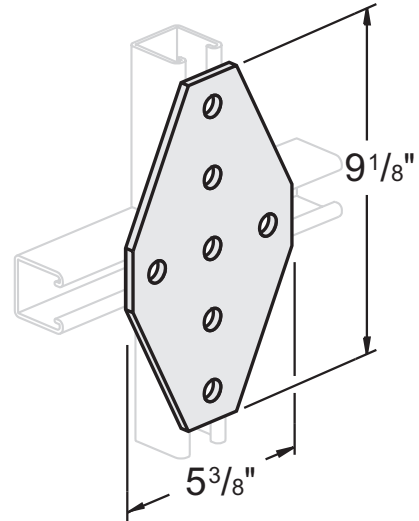
**5 HOLE CORNER CONNECTOR PLATE**

**G2191**  
10/CTN  
135 LBS/100



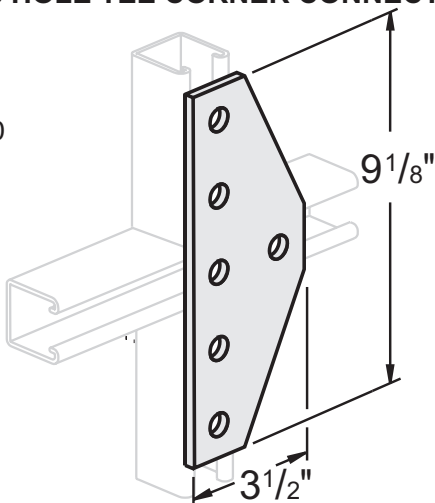
**7 HOLE CONNECTOR PLATE**

**G220**  
10/CTN  
240 LBS/100



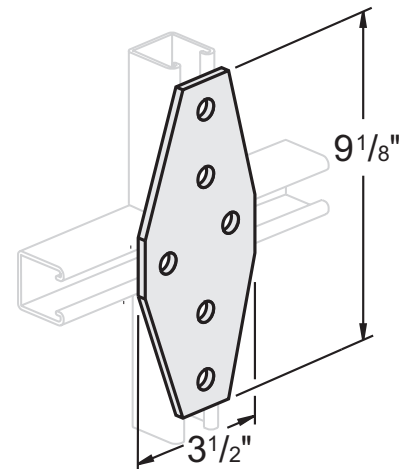
**6 HOLE TEE CORNER CONNECTOR**

**G221**  
10/CTN  
149 LBS/100



**6 HOLE STAGGERED CONNECTOR**

**G222**  
10/CTN  
166 LBS/100

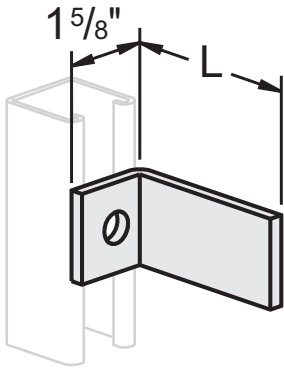


\* MATERIAL IS 1-5/8" WIDE x 1/4" THICK UNLESS SPECIFIED • HOLES ARE 9/16" DIAMETER UNLESS SPECIFIED \*

# 90° ANGLE FITTINGS

Fittings & Accessories

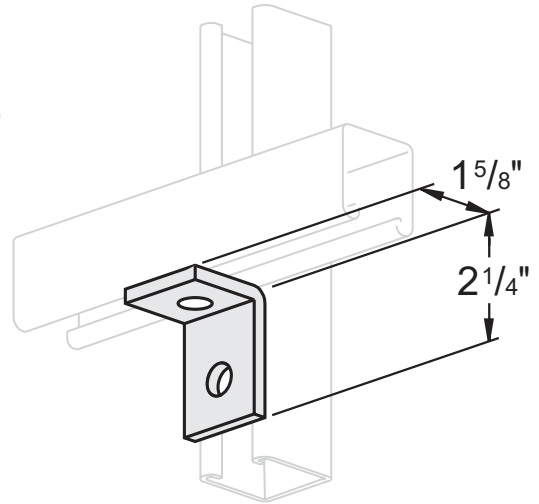
## 1 HOLE CORNER ANGLE



PART #	SIZE (L)	CARTON QTY.	LBS./100pcs
G3061	1-5/8" x 3-7/8"	25	48
G3062	1-5/8" x 5-7/8"	25	83
G3063	1-5/8" x 7-7/8"	25	105
G3065	1-7/8" x 3-7/8"	25	130

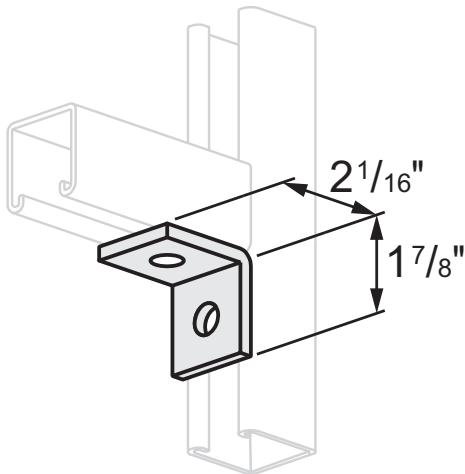
## 2 HOLE CORNER ANGLE

**G301**  
25/CTN  
33 LBS/100



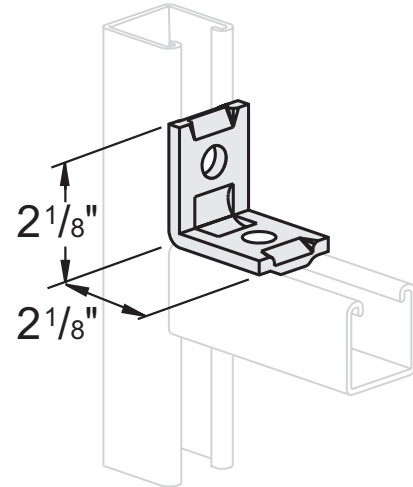
## 2 HOLE CONNECTION ANGLE

**G302**  
50/CTN  
35 LBS/100

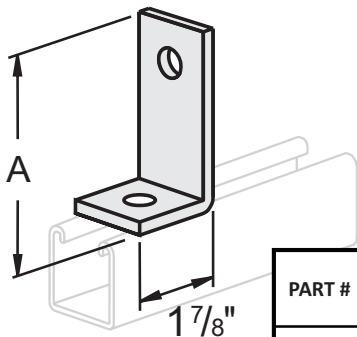


## 2 HOLE NO-TWIST CORNER ANGLE

**G304**  
50/CTN  
37 LBS/100

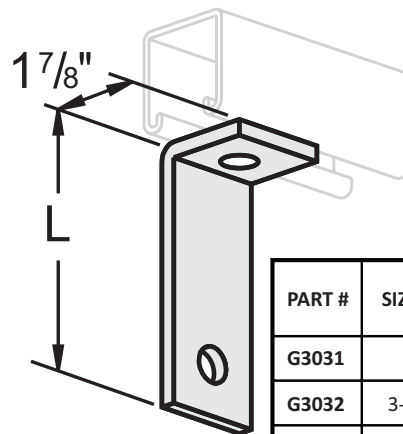


## 2 HOLE OFFSET ANGLE



PART #	SIZE (L)	CARTON QTY.	LBS./100pcs
G3381	3"	25	48
G3382	3-1/2"	25	53
G3383	4"	25	61

## 2 HOLE CORNER ANGLE



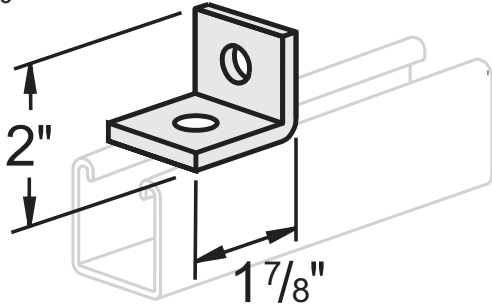
PART #	SIZE (L)	CARTON QTY.	LBS./100pcs
G3031	3"	50	49
G3032	3-1/2"	50	54
G3033	4"	50	61

\* MATERIAL IS 1-5/8" WIDE x 1/4" THICK UNLESS SPECIFIED • HOLES ARE 9/16" DIAMETER UNLESS SPECIFIED \*

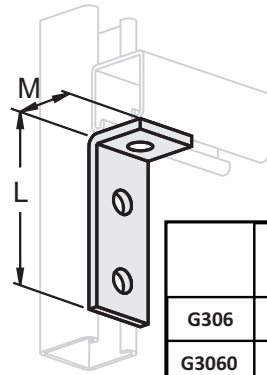
# 90° ANGLE FITTINGS

## 2 HOLE DUCT ANGLE

**G344**  
50/CTN  
37 LBS/100

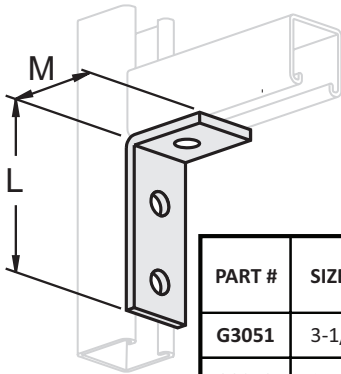


## 3 HOLE CORNER ANGLE



	SIZE (L)			
<b>G306</b>	4-1/8"	1-5/8"	25	50
<b>G3060</b>	3-7/8"	1-7/8"		
	3-15/16"		25	

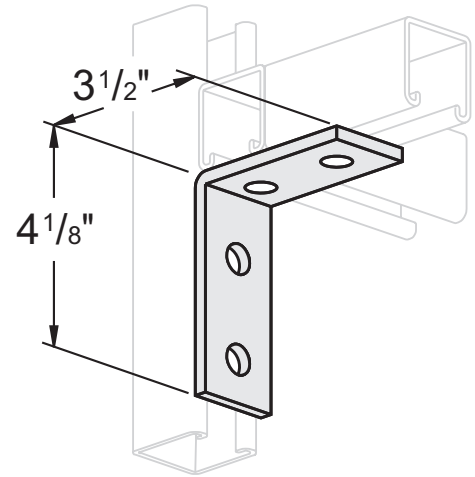
## 3 HOLE CORNER ANGLE



PART #	SIZE (L)	SIZE (M)	CARTON QTY.	LBS./ 100pcs
<b>G3051</b>	3-1/4"	2"	25	58
<b>G3052</b>	3-1/2"	2-1/4"	25	50

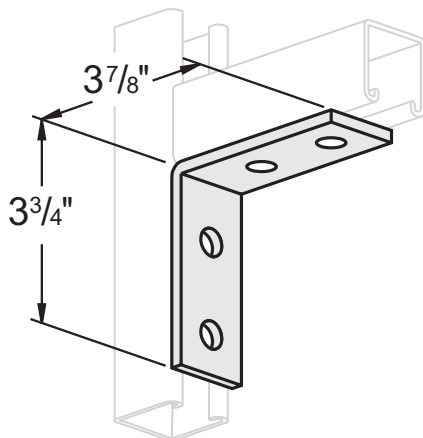
## 4 HOLE CORNER ANGLE

**G311**  
25/CTN  
69 LBS/100



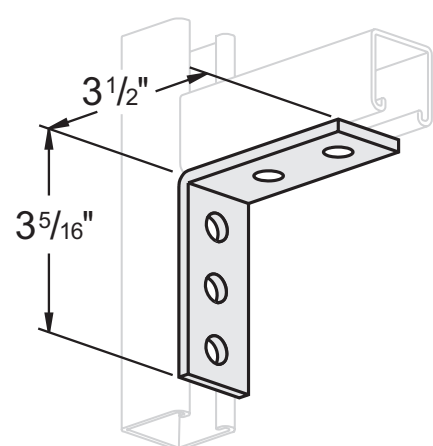
## 4 HOLE CORNER ANGLE

**G3111**  
25/CTN  
68 LBS/100



## 5 HOLE CORNER ANGLE

**G3112**  
25/CTN  
75 LBS/100



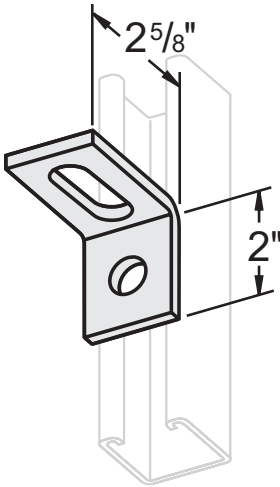
\* MATERIAL IS 1-5/8" WIDE x 1/4" THICK UNLESS SPECIFIED • HOLES ARE 9/16" DIAMETER UNLESS SPECIFIED \*



# ADJUSTABLE ANGLE FITTINGS

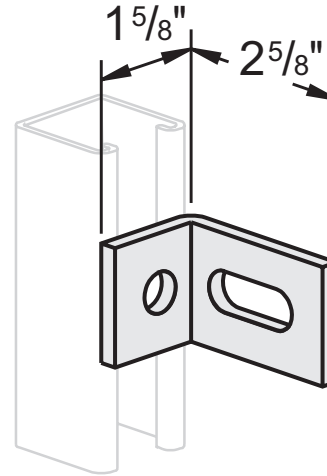
## 2 HOLE ADJUSTABLE CORNER ANGLE

**G333**  
25/CTN  
42 LBS/100

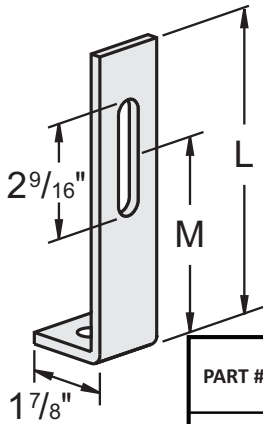


## 2 HOLE ADJUSTABLE CORNER ANGLE

**G337**  
50/CTN  
38 LBS/100



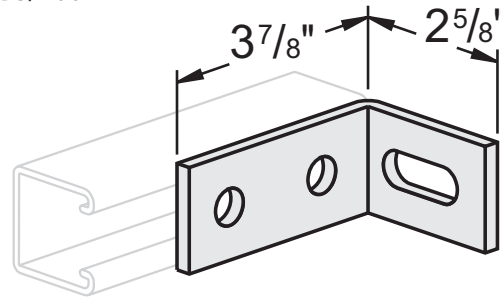
## 2 HOLE ADJUSTABLE CORNER ANGLE



PART #	SIZE (L)	SIZE (M)	CARTON QTY.	
G336	4-7/8"	2-1/2"	25	59
	6-7/8"	4-1/2"	25	

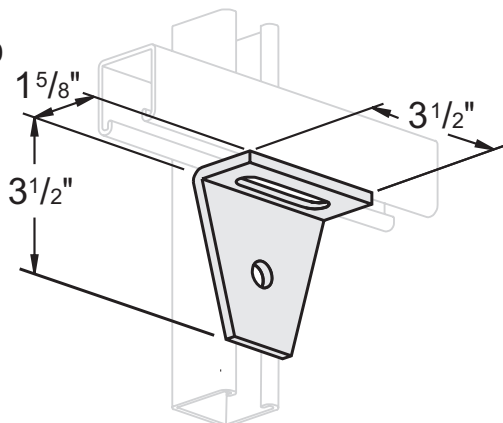
## 3 HOLE ADJUSTABLE CORNER ANGLE

**G331**  
25/CTN  
63 LBS/100



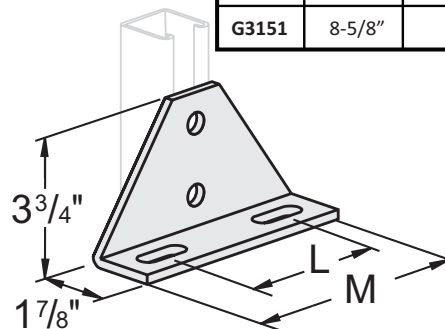
## 2 HOLE ADJUSTABLE CORNER ANGLE

**G334**  
20/CTN  
97 LBS/100



## 2 HOLE 2 SLOTTED CONNECTOR ANGLE

PART #	SIZE (M)	SIZE (L)	CARTON QTY.	LBS./ 100pcs
G315	6-5/8"	4"	10	171
G3151	8-5/8"	6"	10	200



\* MATERIAL IS 1-5/8" WIDE x 1/4" THICK UNLESS SPECIFIED • HOLES ARE 9/16" DIAMETER UNLESS SPECIFIED \*

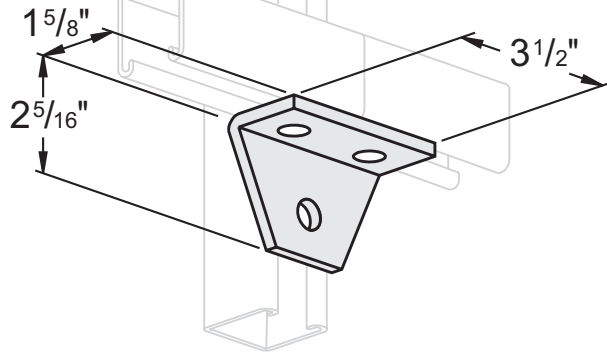
# 90° ANGLE FITTINGS

G-STRUT®

Section 3

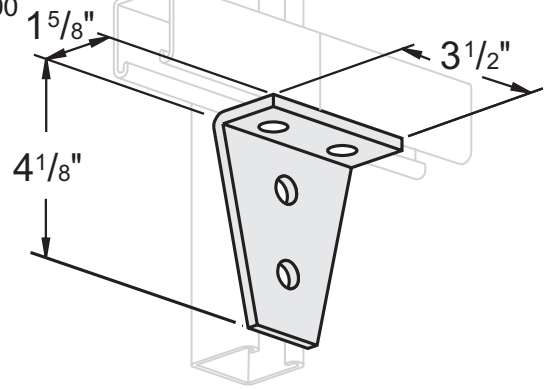
## 3 HOLE CORNER SHELF ANGLE

**G3071**  
25/CTN  
70 LBS/100



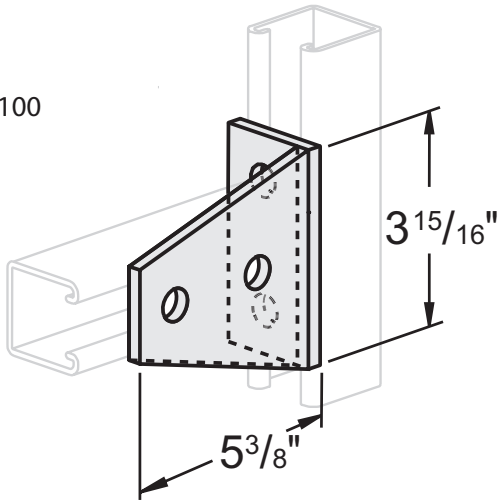
## 4 HOLE JOINT CONNECTOR ANGLE

**G309**  
25/CTN  
105 LBS/100



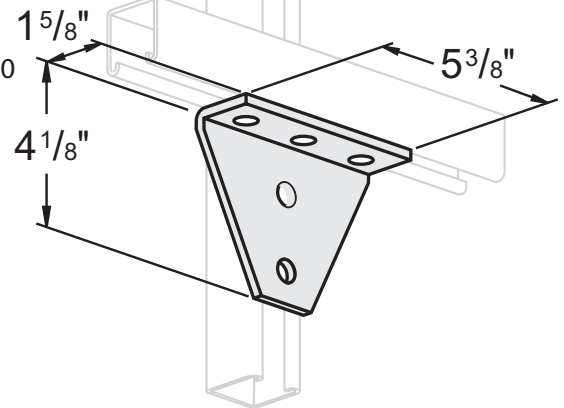
## 4 HOLE CORNER SHELF ANGLE

**G308**  
25/CTN  
148 LBS/100



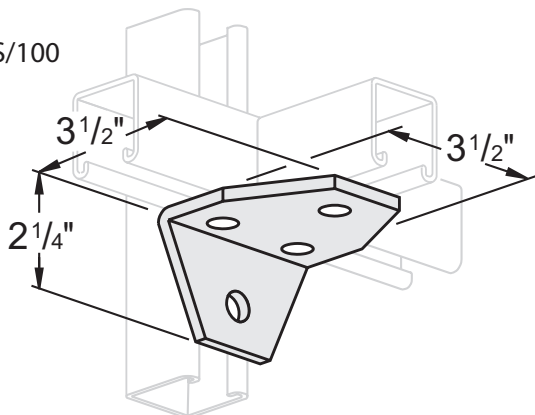
## 5 HOLE JOINT CONNECTOR ANGLE

**G314**  
10/CTN  
155 LBS/100



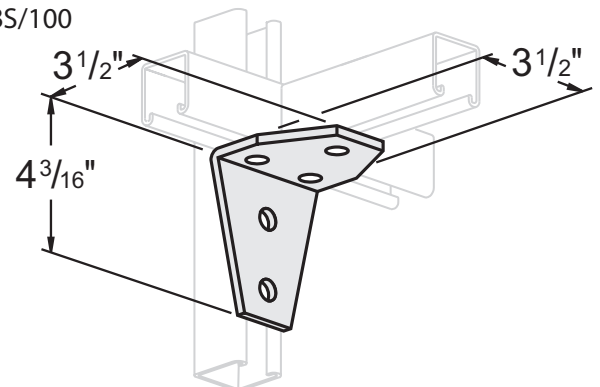
## 4 HOLE DUPLEX CORNER ANGLE

**G310**  
25/CTN  
100 LBS/100



## 5 HOLE DUPLEX CORNER ANGLE

**G313**  
10/CTN  
135 LBS/100



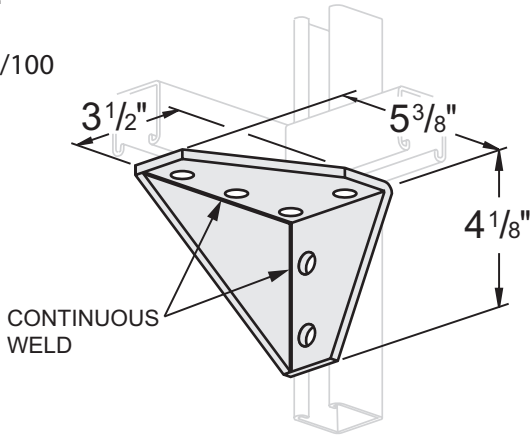
\* MATERIAL IS 1-5/8" WIDE x 1/4" THICK UNLESS SPECIFIED • HOLES ARE 9/16" DIAMETER UNLESS SPECIFIED \*

# 90° ANGLE FITTINGS

Fittings & Accessories

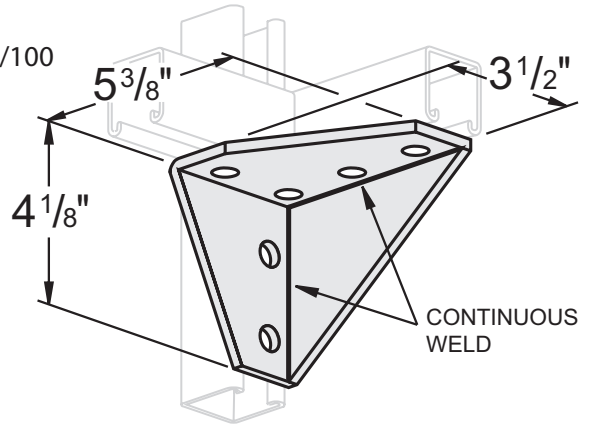
**G316L**  
10/CTN  
236 LBS/100

**6 HOLE SHELF BRACKET**  
(Left Hand)



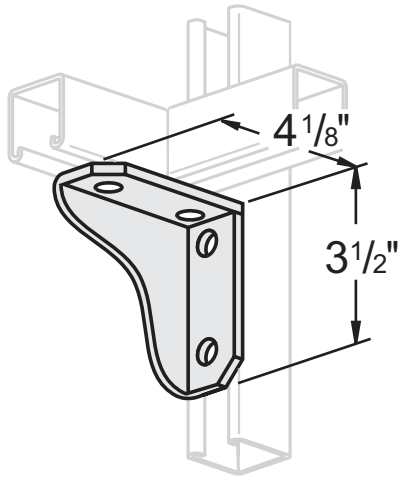
**G316R**  
10/CTN  
236 LBS/100

**6 HOLE SHELF BRACKET**  
(Right Hand)



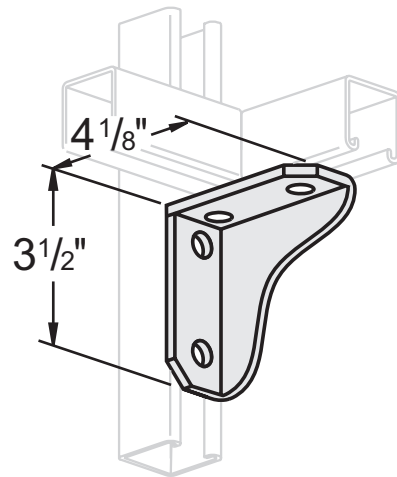
**G318L**  
10/CTN  
114 LBS/100

**4 HOLE SHELF BRACKET**  
(Left Hand)



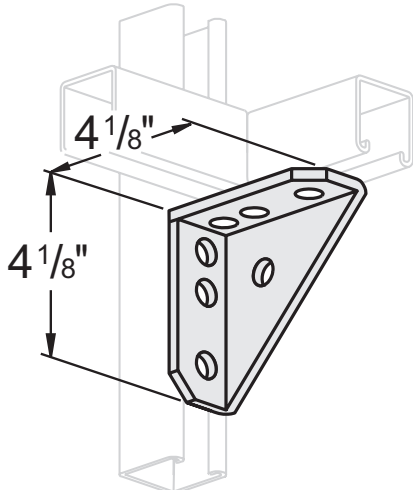
**G318R**  
10/CTN  
114 LBS/100

**4 HOLE SHELF BRACKET**  
(Right Hand)



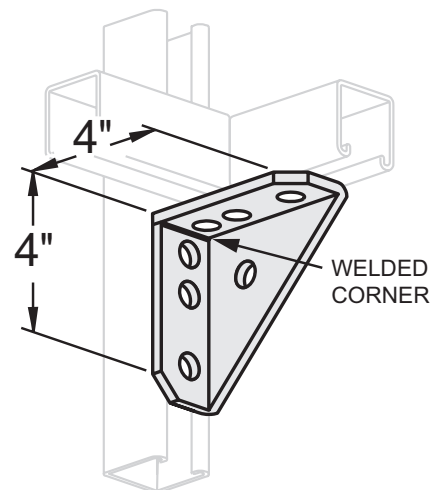
**G335**  
10/CTN  
127 LBS/100

**7 HOLE UNIVERSAL CORNER ANGLE**



**G335W**  
10/CTN  
127 LBS/100

**7 HOLE UNIVERSAL CORNER ANGLE**



\* MATERIAL IS 1-5/8" WIDE x 1/4" THICK UNLESS SPECIFIED • HOLES ARE 9/16" DIAMETER UNLESS SPECIFIED \*

# ANGLE FITTINGS

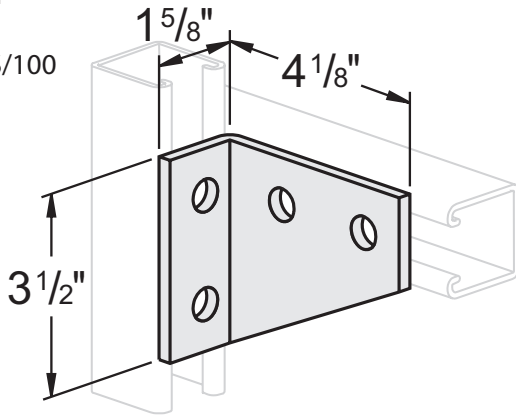
G-STRUT®

Section 3

Fittings & Accessories

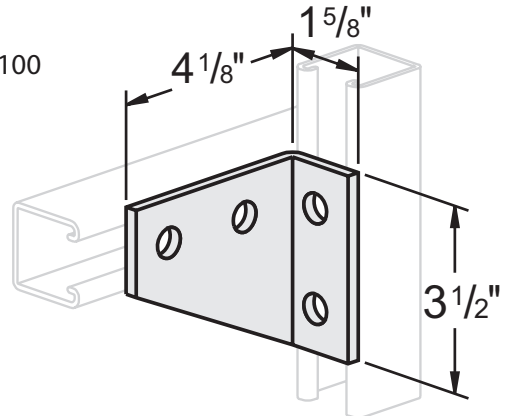
**G3422**  
10/CTN  
105 LBS/100

**4 HOLE JOINT CORNER ANGLE**  
(Left Hand)



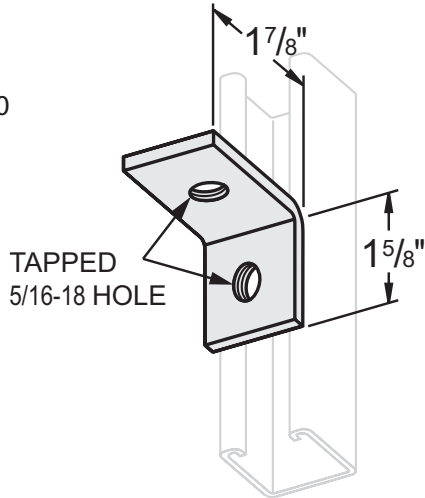
**G3421**  
10/CTN  
105 LBS/100

**4 HOLE JOINT CORNER ANGLE**  
(Right Hand)



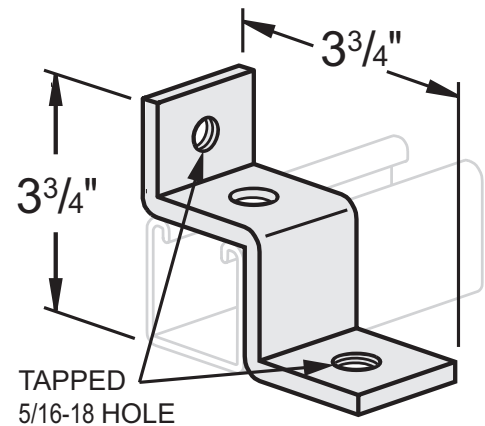
**G332**  
50/CTN  
33 LBS/100

**2 HOLE TAPPED CORNER ANGLE**



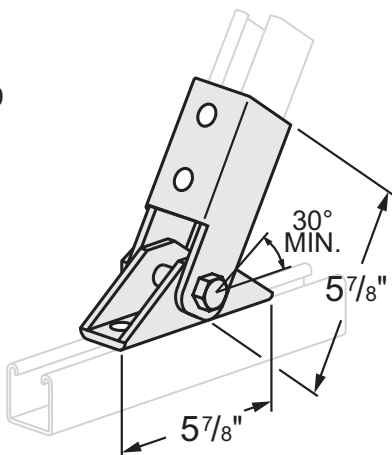
**G348**  
25/CTN  
68 LBS/100

**3 HOLE SHEATH CORNER CONNECTOR**



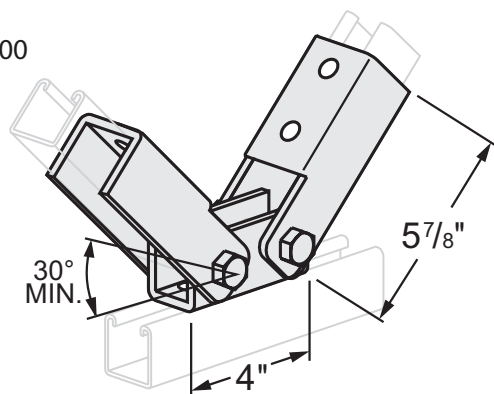
**GACB319**  
5/CTN  
250 LBS/100

**ADJ. SINGLE CHANNEL BRACE**



**GACB320**  
5/CTN  
500 LBS/100

**ADJ. DOUBLE CHANNEL HINGE**

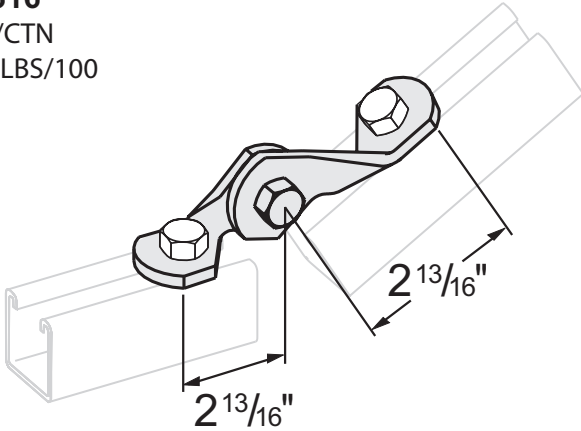


\* MATERIAL IS 1-5/8" WIDE x 1/4" THICK UNLESS SPECIFIED • HOLES ARE 9/16" DIAMETER UNLESS SPECIFIED \*

# ANGLE FITTINGS

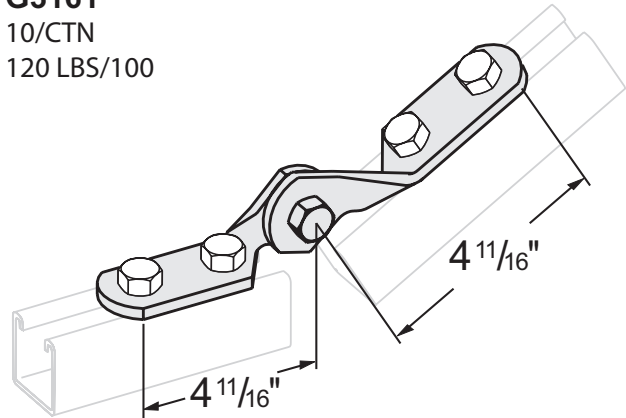
## 2 HOLE ADJUSTABLE HINGE

**G316**  
10/CTN  
89 LBS/100



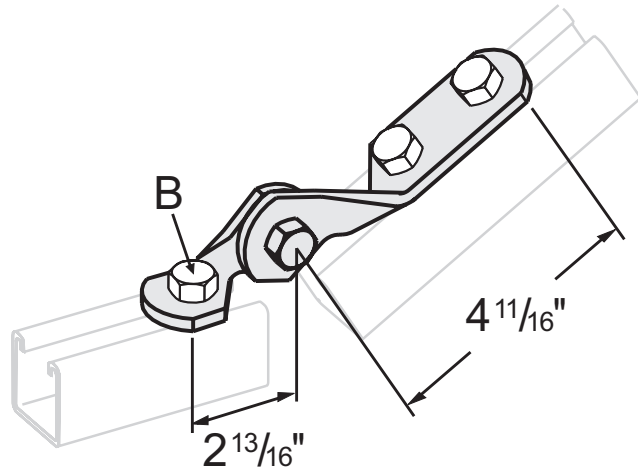
## 4 HOLE ADJUSTABLE HINGE

**G3161**  
10/CTN  
120 LBS/100

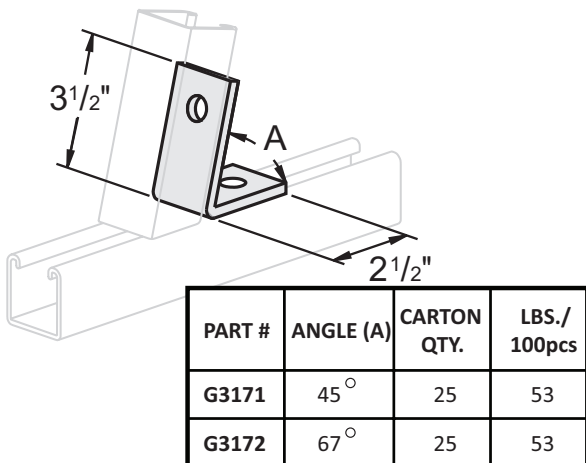


## 3 HOLE ADJUSTABLE HINGE

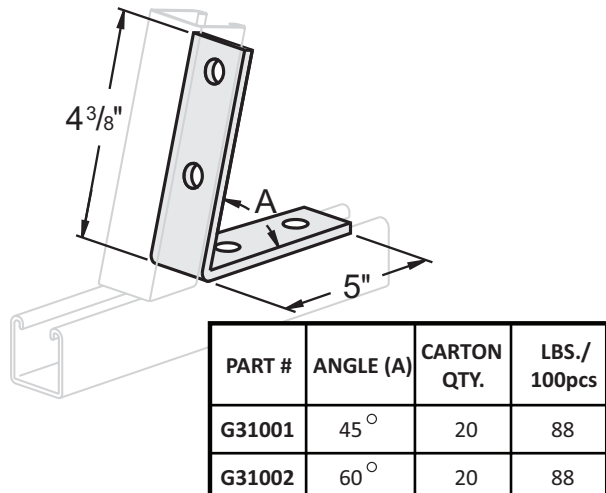
PART #	BOLT (B)	CARTON QTY.	LBS./ 100pcs
G33001	3/8"	10	106
G33002	1/2"	10	104
G33003	5/8"	10	102
G33004	3/4"	10	100



## 2 HOLE CLOSED ANGLE



## 4 HOLE CLOSED ANGLE

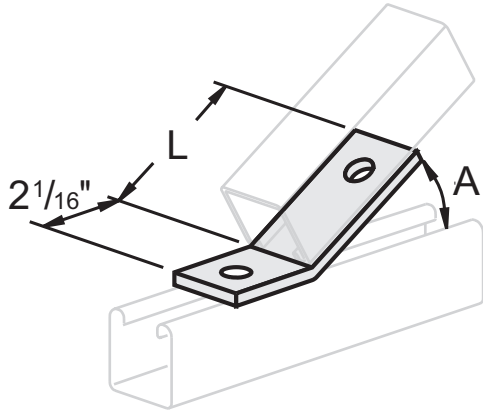


\* MATERIAL IS 1-5/8" WIDE x 1/4" THICK UNLESS SPECIFIED • HOLES ARE 9/16" DIAMETER UNLESS SPECIFIED \*

Fittings & Accessories

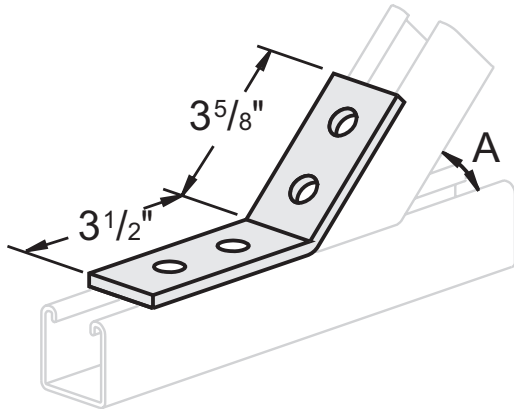
# ANGLE FITTINGS

## 2 HOLE OPEN ANGLE



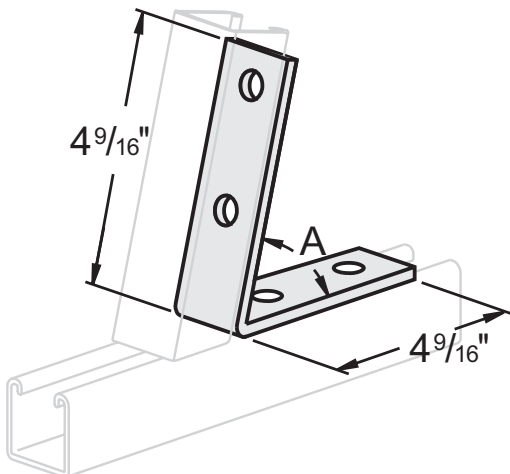
PART #	SIZE (L)	ANGLE (A)	CARTON QTY.	LBS./100pcs
G3191	3-1/2"	82-1/2°	25	54
G3192	3-1/2"	75°	25	54
G3193	3-1/2"	67-1/2°	25	54
G3194	3-1/4"	60°	25	54
G3195	3-1/4"	52-1/2°	25	54
G3196	3-1/4"	37-1/2°	25	54
G3197	3-5/16"	30°	25	54
G3198	3-5/16"	22-1/2°	25	54
G3199	3-5/16"	15°	25	54
G31910	3-5/16"	7-1/2°	25	54
G31911	3-1/4"	45°	25	54

## 4 HOLE OPEN ANGLE



PART #	ANGLE (A)	CARTON QTY.	LBS./100pcs
G3201	7-1/2°	25	70
G3202	15°	25	70
G3203	22-1/2°	25	70
G3204	30°	25	70
G3205	37-1/2°	25	70
G3206	45°	25	70
G3207	52-1/2°	25	70
G3208	60°	25	70
G3209	67-1/2°	25	70
G32010	75°	25	70
G32011	82-1/2°	25	70

## 4 HOLE CLOSED ANGLE



PART #	ANGLE (A)	CARTON QTY.	LBS./100pcs
G32001	37-1/2°	25	100
G32002	45°	25	100
G32003	52-1/2°	25	100
G32004	60°	25	100
G32005	67-1/2°	25	100
G32006	75°	25	100
G32007	82-1/2°	25	100

\* MATERIAL IS 1-5/8" WIDE x 1/4" THICK UNLESS SPECIFIED • HOLES ARE 9/16" DIAMETER UNLESS SPECIFIED \*



# WING FITTINGS

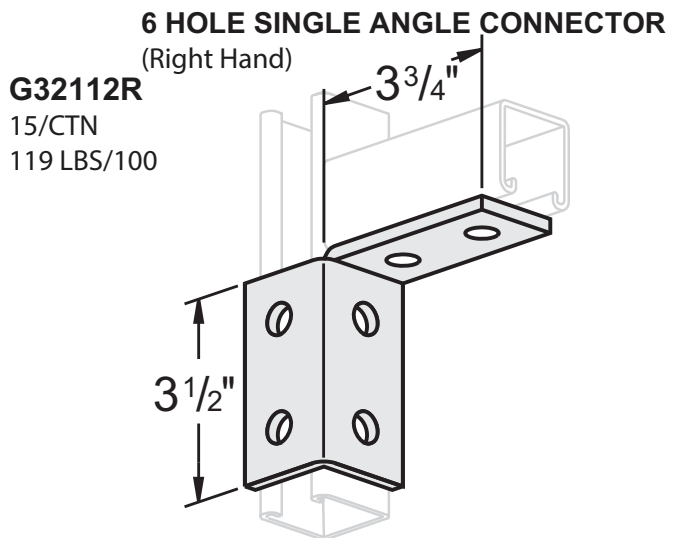
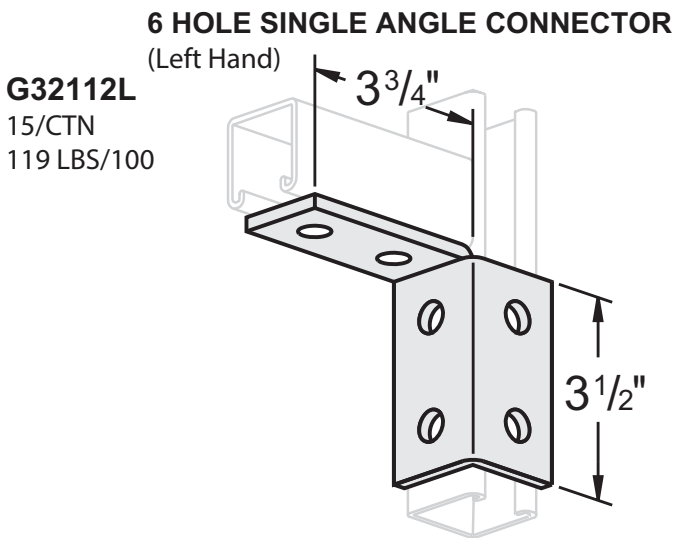
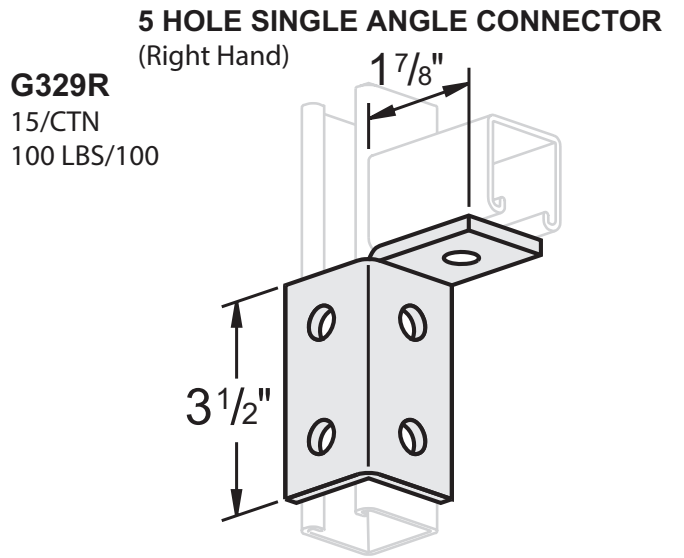
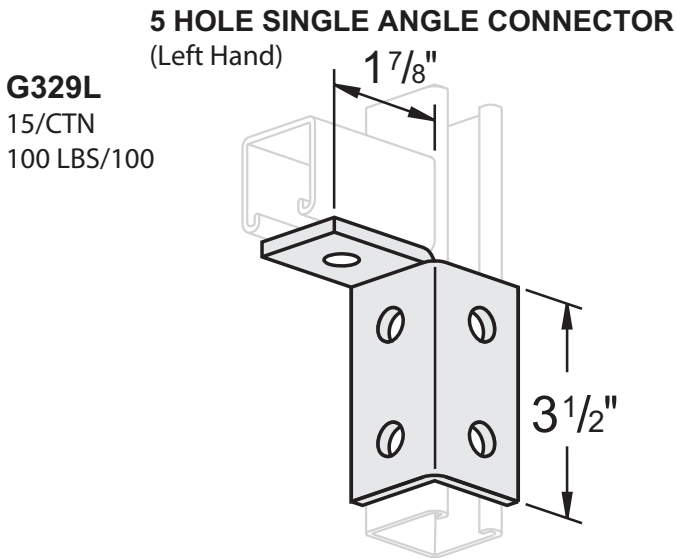
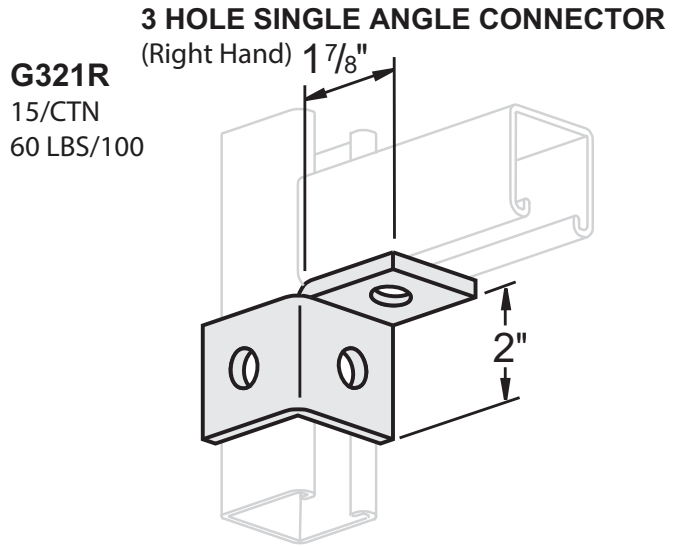
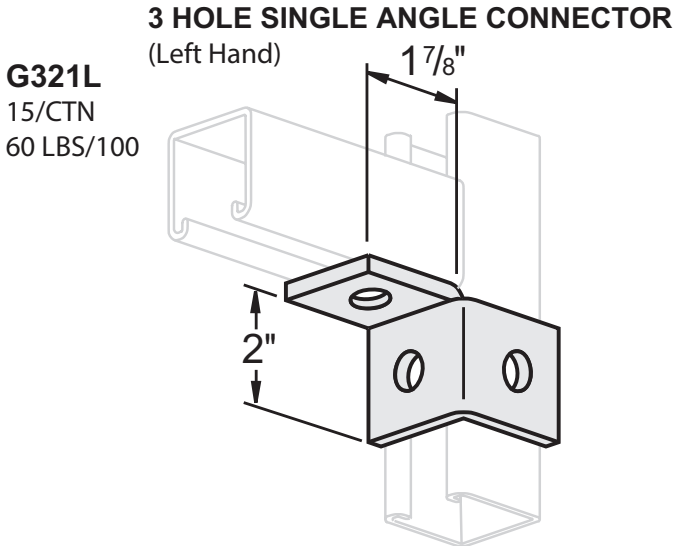
Fittings & Accessories

<p><b>3 HOLE OFFSET BENT TEE</b></p> <p><b>G339</b> 25/CTN 71 LBS/100</p>	<p><b>4 HOLE BENT TEE</b></p> <p><b>G312</b> 10/CTN 72 LBS/100</p>	<p><b>5 HOLE OFFSET BENT TEE</b></p> <p><b>G340</b> 10/CTN 90 LBS/100</p>
<p><b>3 HOLE LEFT HAND OFFSET ANGLE (Left Hand)</b></p> <p><b>G330L</b> 15/CTN 93 LBS/100</p>	<p><b>3 HOLE RIGHT HAND OFFSET ANGLE (Right Hand)</b></p> <p><b>G330R</b> 15/CTN 93 LBS/100</p>	
<p><b>4 HOLE LEFT HAND OFFSET TEE (Left Hand)</b></p> <p><b>G3411</b> 10/CTN 72 LBS/100</p>	<p><b>4 HOLE RIGHT HAND OFFSET TEE (Right Hand)</b></p> <p><b>G3412</b> 10/CTN 72 LBS/100</p>	

\* MATERIAL IS 1-5/8" WIDE x 1/4" THICK UNLESS SPECIFIED • HOLES ARE 9/16" DIAMETER UNLESS SPECIFIED \*

# WING FITTINGS

Fittings &  
Accessories

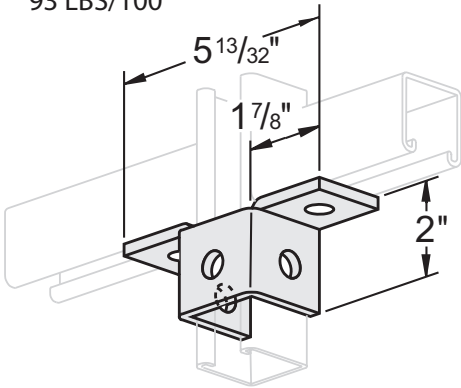


\* MATERIAL IS 1-5/8" WIDE x 1/4" THICK UNLESS SPECIFIED • HOLES ARE 9/16" DIAMETER UNLESS SPECIFIED \*

# WING FITTINGS

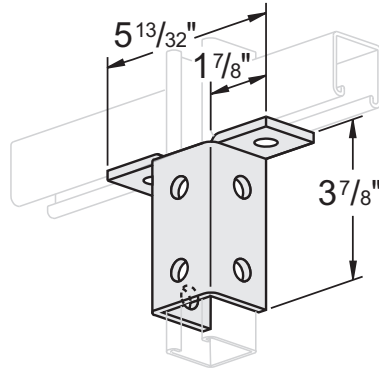
## 5 HOLE DOUBLE WING CONNECTOR

**G327**  
15/CTN  
93 LBS/100



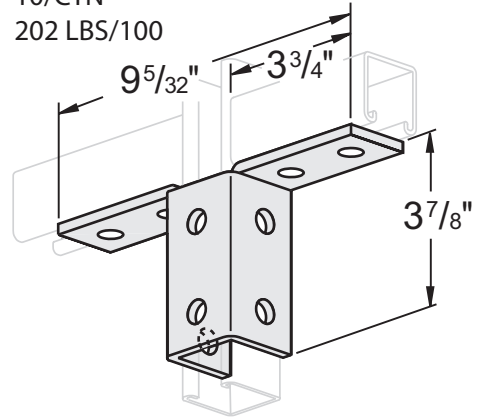
## 8 HOLE DOUBLE WING CONNECTOR

**G350**  
10/CTN  
177 LBS/100



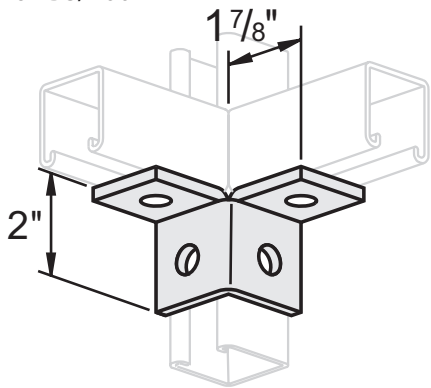
## 10 HOLE DOUBLE WING CONNECTOR

**G355**  
10/CTN  
202 LBS/100



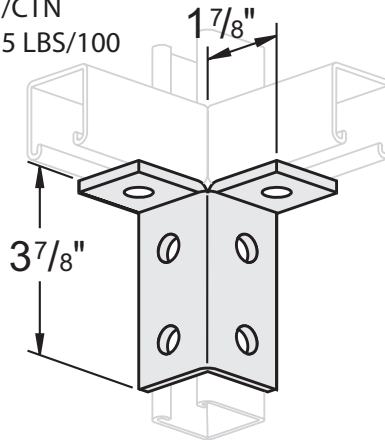
## 4 HOLE DOUBLE ANGLE CONNECTOR

**G326**  
25/CTN  
76 LBS/100



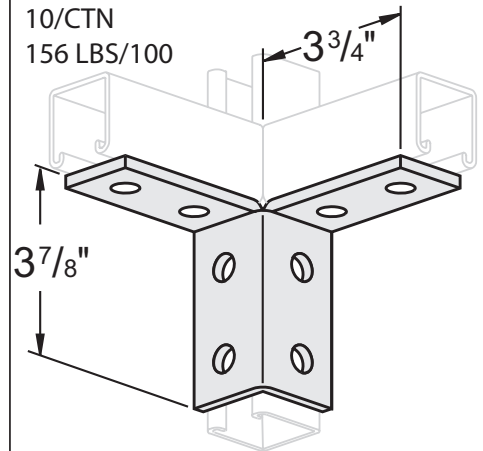
## 6 HOLE DOUBLE ANGLE CONNECTOR

**G354**  
25/CTN  
115 LBS/100



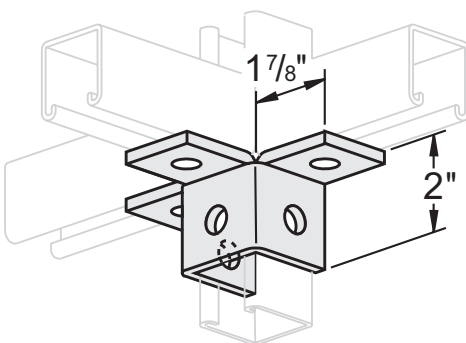
## 8 HOLE DOUBLE ANGLE CONNECTOR

**G3261**  
10/CTN  
156 LBS/100



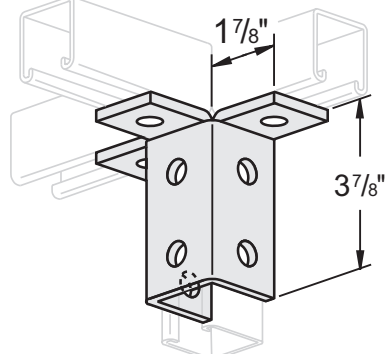
## 6 HOLE TRIPLE WING CONNECTOR

**G3281**  
10/CTN  
105 LBS/100



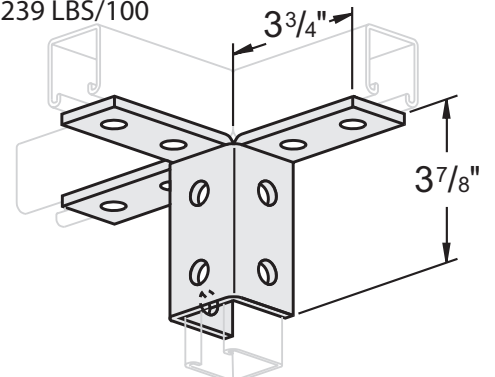
## 9 HOLE TRIPLE WING CONNECTOR

**G351**  
10/CTN  
193 LBS/100



## 12 HOLE TRIPLE WING CONNECTOR

**G329**  
10/CTN  
239 LBS/100



\* MATERIAL IS 1-5/8" WIDE x 1/4" THICK UNLESS SPECIFIED • HOLES ARE 9/16" DIAMETER UNLESS SPECIFIED \*

Fittings & Accessories

# WING FITTINGS

Fittings & Accessories

**4 HOLE SINGLE WRAP CONNECTOR**  
(Left Hand)

**G328L**  
15/CTN  
70 LBS/100

**4 HOLE SINGLE WRAP CONNECTOR**  
(Right Hand)

**G328R**  
15/CTN  
70 LBS/100

**4 HOLE SINGLE CORNER CONNECTOR**  
(Left Hand)

**G343L**  
10/CTN  
176 LBS/100

**4 HOLE SINGLE CORNER CONNECTOR**  
(Right Hand)

**G343R**  
10/CTN  
176 LBS/100

**8 HOLE DOUBLE CORNER CONNECTOR**

**G352**  
10/CTN  
127 LBS/100

**8 HOLE DOUBLE CORNER CONNECTOR**

**G356**  
5/CTN  
315 LBS/100

**12 HOLE TRIPLE CORNER CONNECTOR**

**G357**  
5/CTN  
330 LBS/100

**10 HOLE DOUBLE CORNER CONNECTOR**

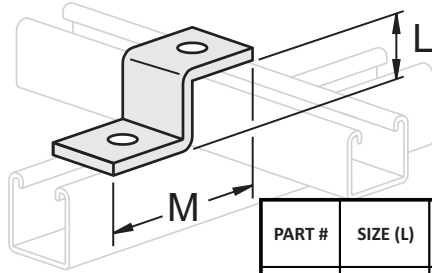
**G3271**  
5/CTN  
285 LBS/100

\* MATERIAL IS 1-5/8" WIDE x 1/4" THICK UNLESS SPECIFIED • HOLES ARE 9/16" DIAMETER UNLESS SPECIFIED \*

# Z ANGLE FITTINGS

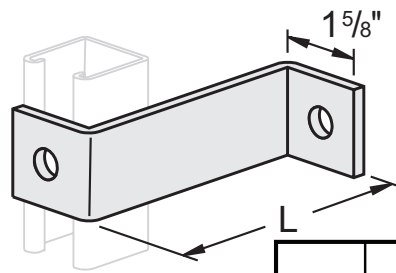
Fittings & Accessories

## 2 HOLE Z ANGLE



PART #	SIZE (L)	SIZE (M)	CARTON QTY.	LBS./100pcs
G323	1"	3-3/4"	25	47
G3231	2-7/16"	3-3/4"	25	67
G3232	1-3/8"	3-3/4"	25	53
G3233	13/16"	3-3/4"	25	47
G3234	3-1/4"	2-1/8"	25	70
G3235	4-7/8"	2-1/8"	25	90

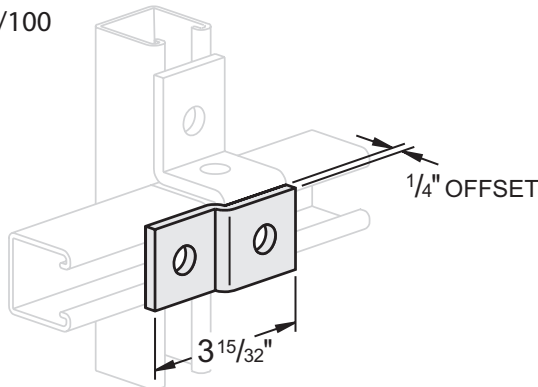
## 2 HOLE Z ANGLE



PART #	SIZE (L)	CARTON QTY.	LBS./100pcs
G34101	4-3/4"	25	89
G34102	3-25/32"	25	78
G34103	2-13/32"	25	62
G34104	6"	25	95

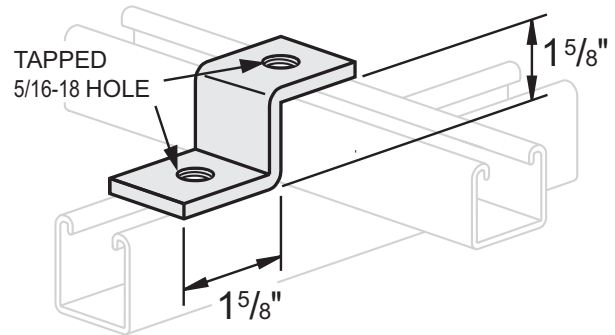
## 2 HOLE 1/4" OFFSET SUPPORT

**G345**  
25/CTN  
38 LBS/100

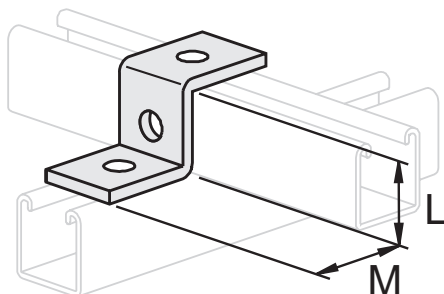


## 4 HOLE TAPPED Z ANGLE

**G347**  
25/CTN  
51 LBS/100



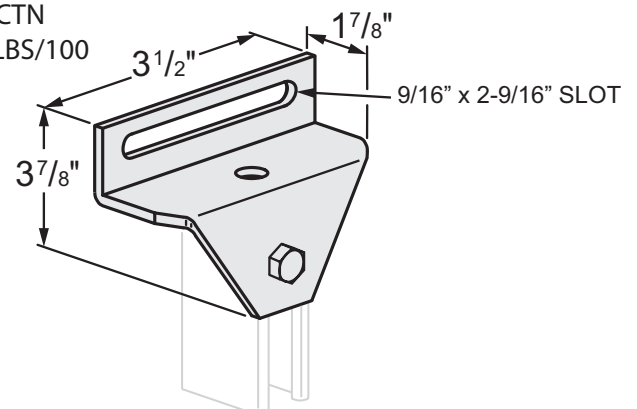
## 3 HOLE Z ANGLE



PART #	SIZE (L)	SIZE (M)	CARTON QTY.	LBS./100pcs
G322	1-5/8"	2-1/8"	25	53
G3221	3-1/4"	1-7/8"	25	70

## 3 HOLE ADJUSTABLE Z ANGLE

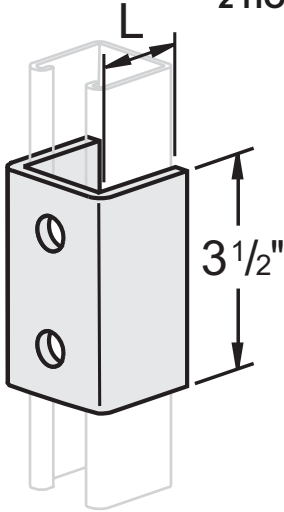
**G349**  
20/CTN  
93 LBS/100



\* MATERIAL IS 1-5/8" WIDE x 1/4" THICK UNLESS SPECIFIED • HOLES ARE 9/16" DIAMETER UNLESS SPECIFIED \*

# SPLICE CHANNEL FITTINGS

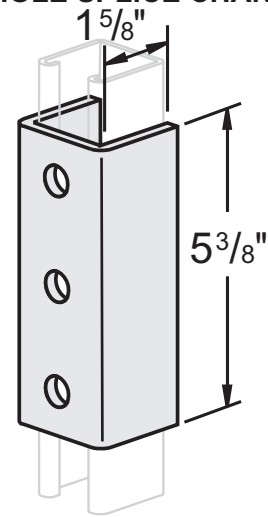
## 2 HOLE SPLICE CHANNEL



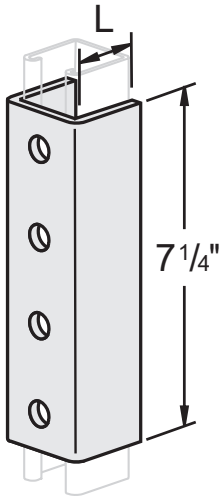
PART #	SIZE (L)	CARTON QTY.	LBS./100pcs
G6070	1-5/8"	25	128
G6071	13/16"	20	85

## 3 HOLE SPLICE CHANNEL

**G6041**  
20/CTN  
197 LBS/100

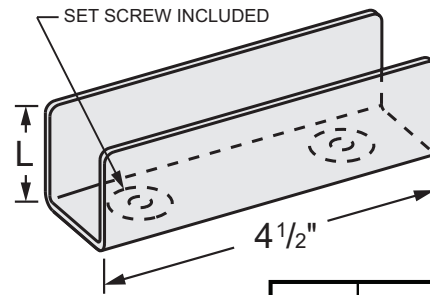


## 4 HOLE SPLICE CHANNEL



	SIZE (L)	CARTON QTY.	
G6061	1-5/8"	10	230
G6062	13/16"	10	158
	3-1/4"	5	

## INTERNAL SPLICE CHANNEL



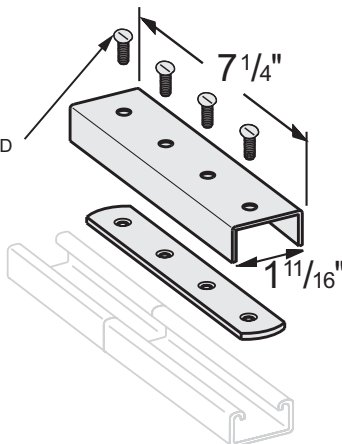
PART #	SIZE (L)	CARTON QTY.	LBS./100pcs
GSJ100	1-5/8"	50	50
GSJ110	13/16"	50	50

## RACEWAY SPLICE PLATE

- for 13/16" Channel

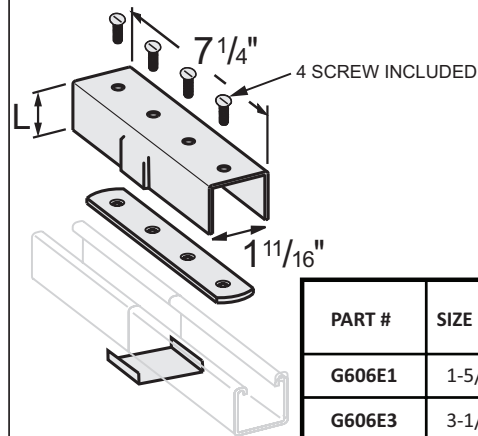
**G606E2**  
25/CTN  
85 LBS/100

4 SCREW INCLUDED



## RACEWAY SPLICE PLATE

- for 1-5/8" & 3-1/4" Channel



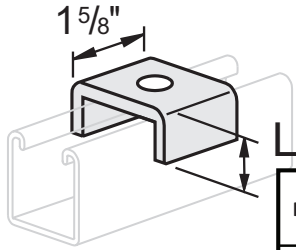
PART #	SIZE (L)	CARTON QTY.	LBS./100pcs
G606E1	1-5/8"	25	134
G606E3	3-1/4"	10	155

\* MATERIAL IS 1-5/8" WIDE x 1/4" THICK UNLESS SPECIFIED • HOLES ARE 9/16" DIAMETER UNLESS SPECIFIED \*



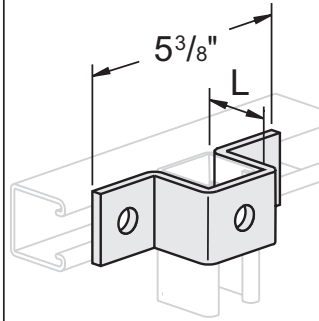
# U FITTINGS

## U SADDLE WASHER



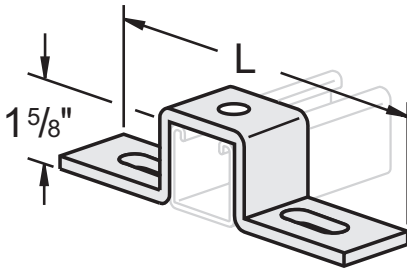
PART #	SIZE (L)	CARTON QTY.	LBS./ 100pcs
G626	1/4"	50	18
G6262	3/8"	50	18
G6263	1/2"	50	18
G6264	5/8"	50	17
G6265	3/4"	50	17

## 3 HOLE U SUPPORT



PART #	SIZE (L)	CARTON QTY.	LBS./ 100pcs
G6091	2-7/16"	15	108
G6092	1-5/8"	25	95
G6093	1-3/8"	25	70
G6094	1"	25	66
G6095	13/16"	25	62
G6096	4-7/8"	10	197
G6097	6-1/2"	10	200

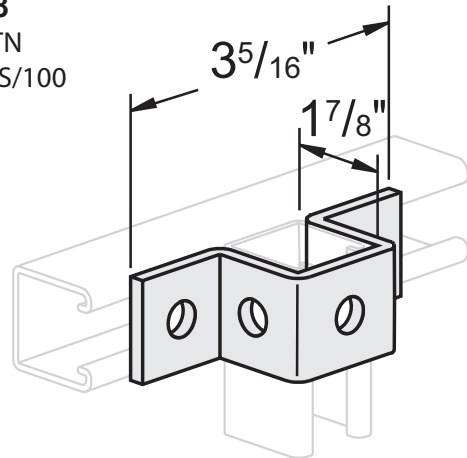
## 3 HOLE ADJUSTABLE U SUPPORT



PART #	SIZE (L)	CARTON QTY.	LBS./ 100pcs
G6021	7-1/4"	10	96
G6022	8-1/4"	10	111
G6023	10-3/8"	10	129

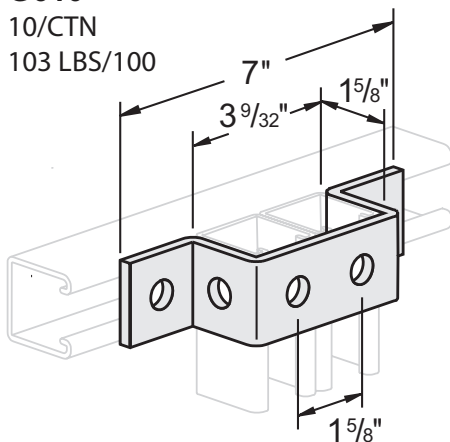
## 5 HOLE U SUPPORT

**G618**  
15/CTN  
71 LBS/100



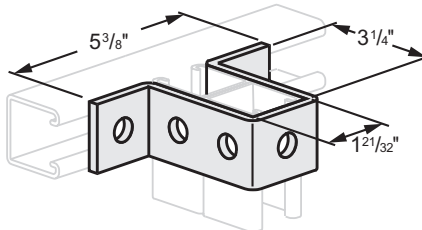
## 6 HOLE DOUBLE U SUPPORT

**G610**  
10/CTN  
103 LBS/100



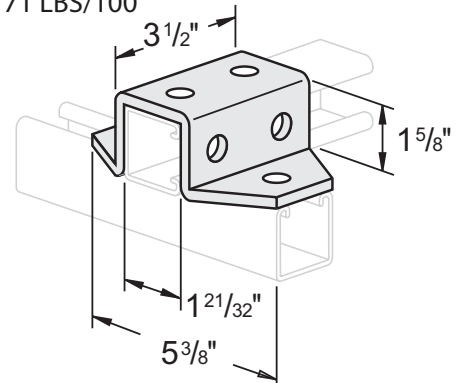
## 7 HOLE DOUBLE U SUPPORT

**G612**  
25/CTN  
121 LBS/100



## 8 HOLE INTERSECTING U SUPPORT

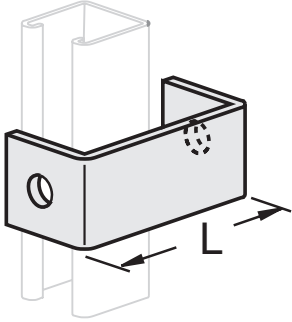
**G613**  
10/CTN  
171 LBS/100



\* MATERIAL IS 1-5/8" WIDE x 1/4" THICK UNLESS SPECIFIED • HOLES ARE 9/16" DIAMETER UNLESS SPECIFIED \*

# CLEVIS FITTINGS

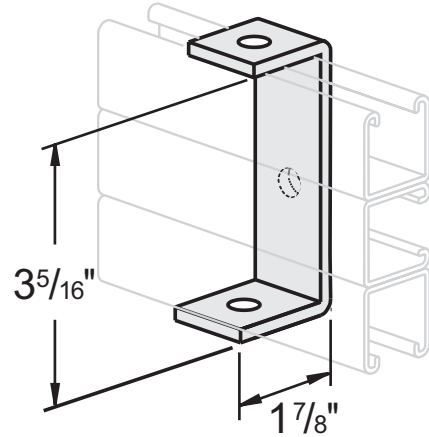
## 2 HOLE CLEVIS



PART #	SIZE (L)	CARTON QTY.	LBS./ 100pcs
G6221	2-13/32"	25	57
G6222	3-25/32"	25	73
G6223	4-3/4"	25	84
G6224	4"	25	78
G6225	5"	25	89
G6226	6"	25	107
G6227	7"	25	112
G6228	8"	25	124

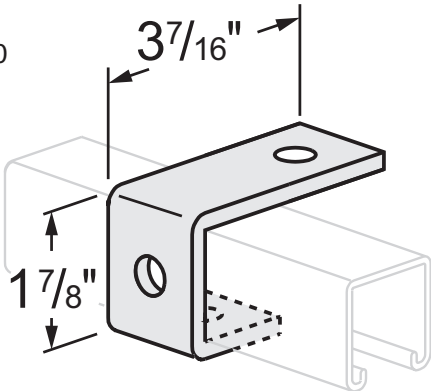
## 3 HOLE CLEVIS

**G623**  
25/CTN  
75 LBS/100



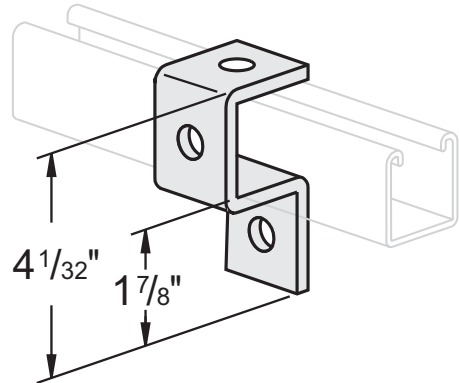
## 3 HOLE SUSPENSION CLEVIS

**G624**  
25/CTN  
75 LBS/100

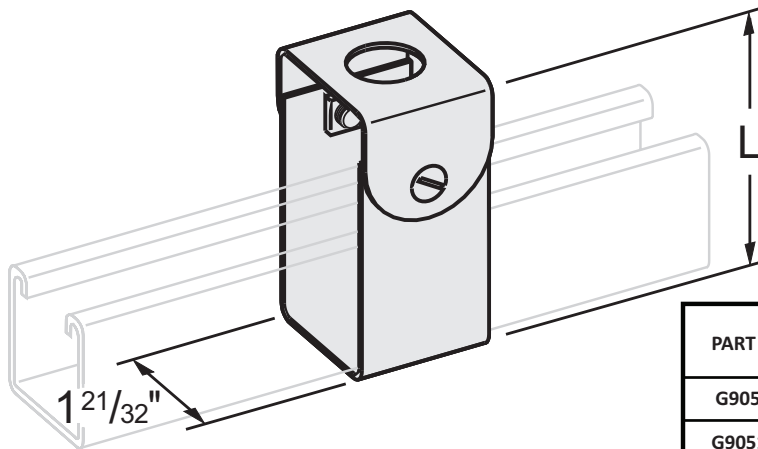


## 4 HOLE SUSPENSION CLEVIS

**G625**  
25/CTN  
76 LBS/100



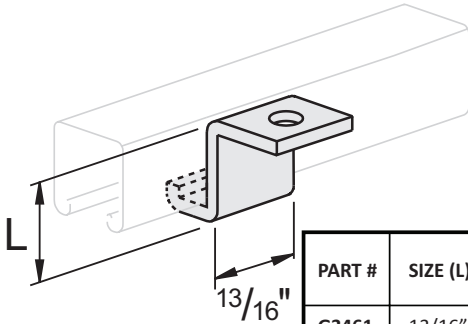
## DOUBLE CLEVIS HANGERS



PART #	USE WITH CHANNEL	SIZE (L)	CARTON QTY.	LBS./ 100pcs
G905	13/16" & 1"	2-3/16"	25	34
G9051	1-5/8"	3-1/2"	25	40

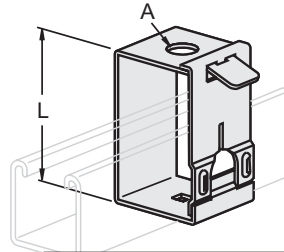
\* MATERIAL IS 1-5/8" WIDE x 1/4" THICK UNLESS SPECIFIED • HOLES ARE 9/16" DIAMETER UNLESS SPECIFIED \*

CHANNEL HANGER



PART #	SIZE (L)	CARTON QTY.	LBS./ 100pcs
G3461	13/16"	100	7
G3462	1-5/8"	100	9
G3463	2-7/16"	100	11
G3464	3-1/4"	100	13

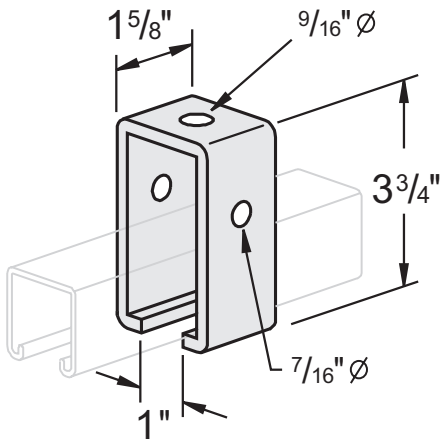
SWING GATE HANGER



PART #	USE WITH CHANNEL	Ø (A)	SIZE (L)	CARTON QTY.	LBS./ 100pcs
G906	1-5/8"	9/16"	3-1/8"	20	23
G9061	1-5/8"	7/8"	3-1/8"	20	25
G9062	3-1/4"	9/16"	4-1/4"	20	30
G9063	3-1/4"	7/8"	4-1/4"	20	30

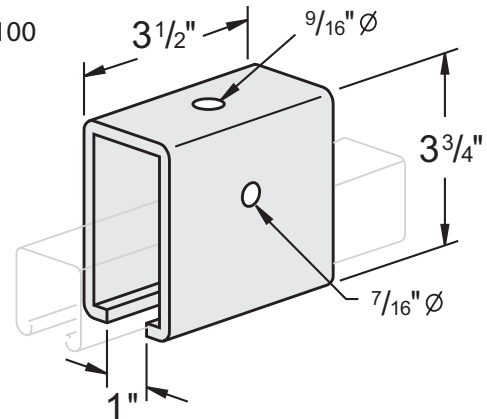
3 HOLE VERTICAL 1-5/8" CHANNEL U SUPPORT

**G611**  
20/CTN  
120 LBS/100



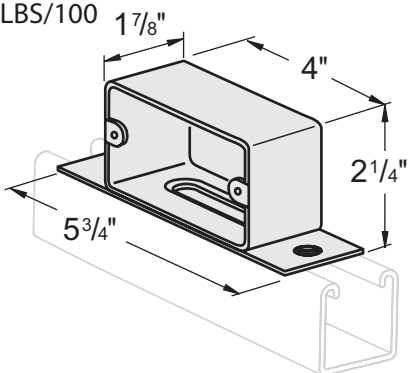
3 HOLE TROLLEY BEAM JOINT SUPPORT

**G6111**  
10/CTN  
220LBS/100



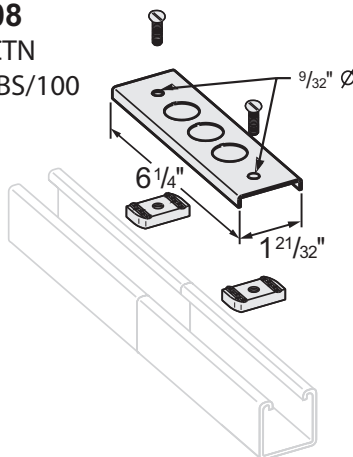
HANDY OUTLET BOX

**G907**  
20/CTN  
85 LBS/100

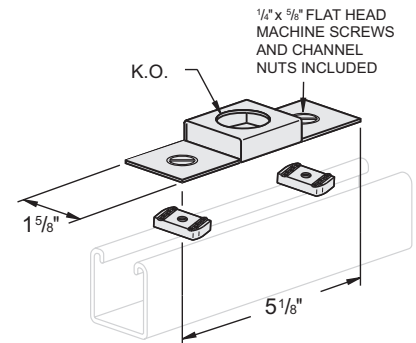


CONNECTION PLATE W/ 3 7/8" KNOCKOUTS

**G908**  
50/CTN  
35 LBS/100



CONDUIT CONNECTOR



PART #	SIZE	HOLE SIZE	CARTON QTY.	LBS./ 100pcs
G909	1/2"	7/8"	25	28
G9091	3/4"	1-3/32"	25	28

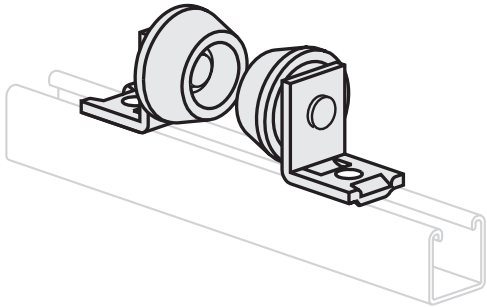
\* FINISH: ELECTRO GALVANIZED \*

# PIPE ROLLER & TROLLEY HARWARE

Fittings & Accessories

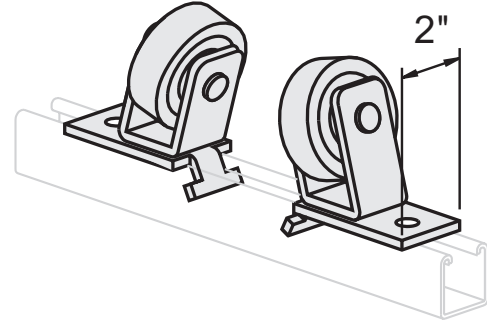
**2 ROLLER NO SWIVEL ADJ.  
PIPE SUPPORT 1" - 8"**

**G901**  
BULK/CTN  
150 LBS/100



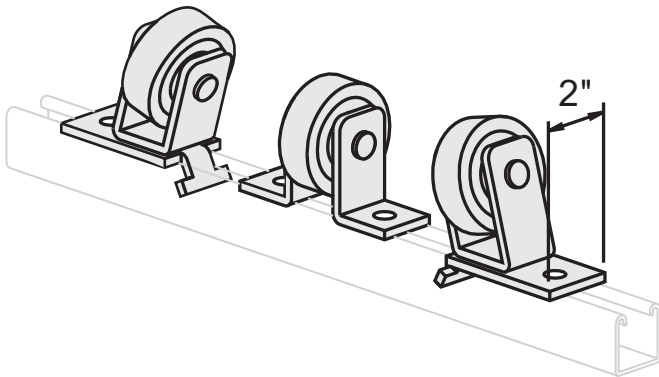
**2 ROLLER ADJUSTABLE  
PIPE SUPPORT 6" - 18"**

**G902**  
BULK/CTN  
397 LBS/100

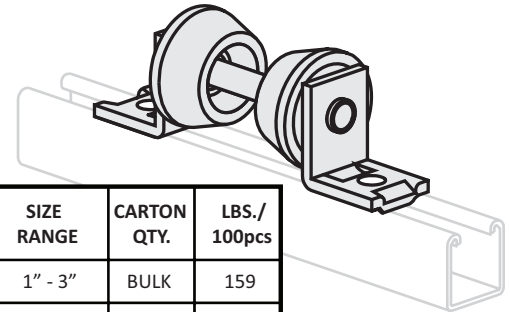


**3 ROLLER ADJUSTABLE  
PIPE SUPPORT 20" - 30"**

**G903**  
BULK/CTN  
587 LBS/100



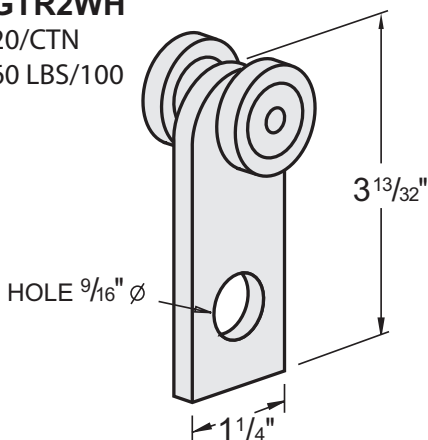
**PIPE ROLLER ASSEMBLY**



PART #	SIZE RANGE	CARTON QTY.	LBS./100pcs
G9041	1" - 3"	BULK	159
G9042	2-1/2" - 4"	BULK	166
G9043	4" - 6"	BULK	179
G9044	6" - 8"	BULK	182
G9045	9" - 10"	BULK	190
G9046	12"	BULK	193

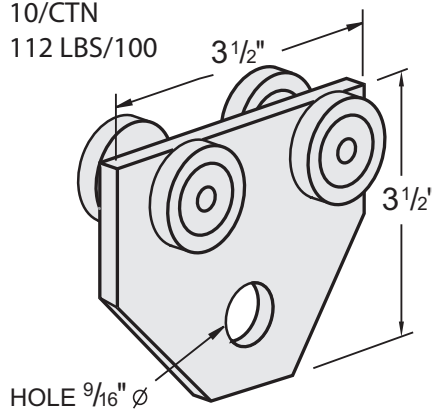
**1 HOLE 2 WHEEL  
TOLLEY**

**GTR2WH**  
20/CTN  
60 LBS/100



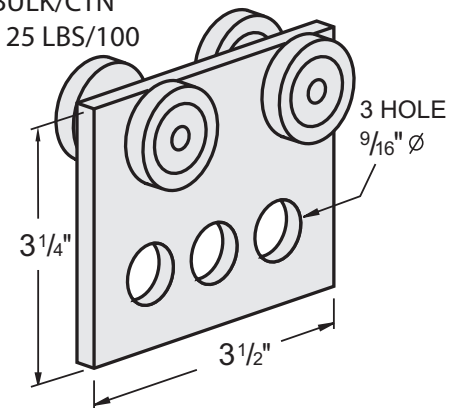
**1 HOLE 4 WHEEL  
TROLLEY**

**GTR4WH**  
10/CTN  
112 LBS/100



**3 HOLE 4 WHEEL  
TROLLEY**

**GTR4WHU**  
BULK/CTN  
125 LBS/100

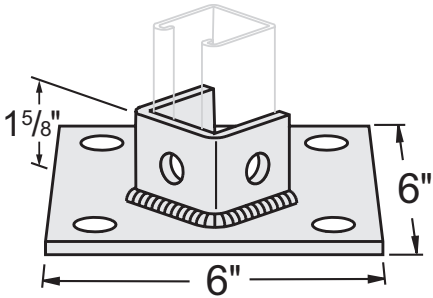


\* MATERIAL IS 1-5/8" WIDE x 1/4" THICK UNLESS SPECIFIED • HOLES ARE 9/16" DIAMETER UNLESS SPECIFIED \*

POST BASES

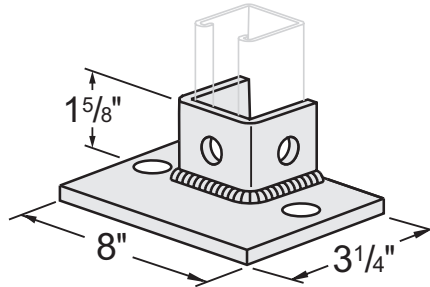
**7 HOLE SINGLE POST BASE DIAGONAL**

**G619**  
6/CTN  
275 LBS/100



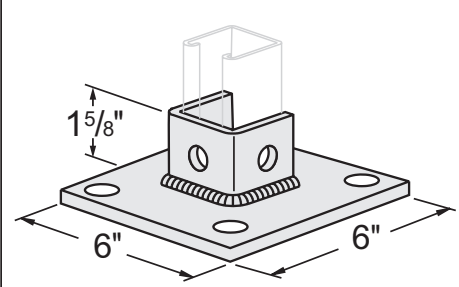
**5 HOLE SINGLE POST BASE FLUSH**

**G619FL**  
6/CTN  
230LBS/100



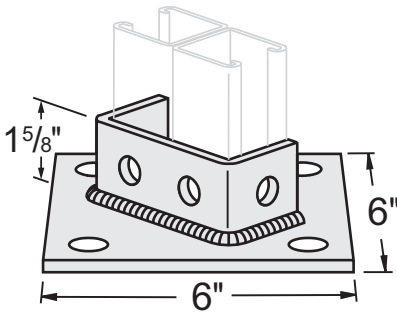
**7 HOLE SINGLE POST BASE**

**G619SQ**  
6/CTN  
275 LBS/100



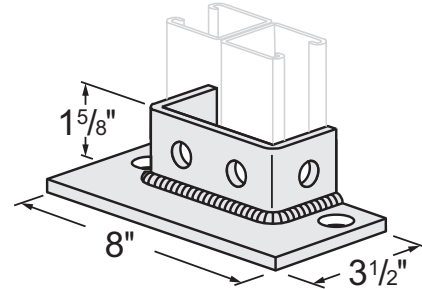
**8 HOLE DOUBLE POST BASE DIAGONAL**

**G619A**  
6/CTN  
325 LBS/100



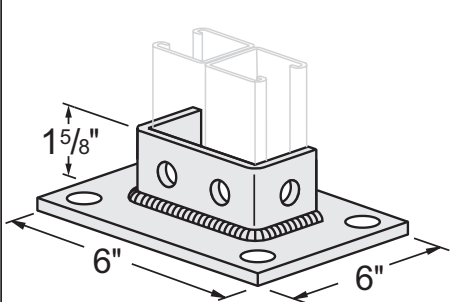
**6 HOLE DOUBLE POST BASE FLUSH**

**G619AFL**  
6/CTN  
250 LBS/100



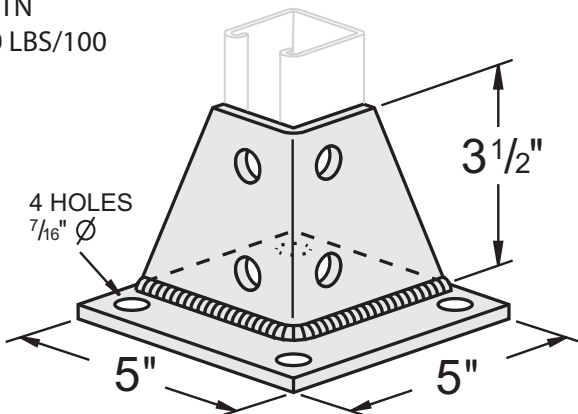
**8 HOLE DOUBLE POST BASE**

**G619ASQ**  
6/CTN  
307 LBS/100



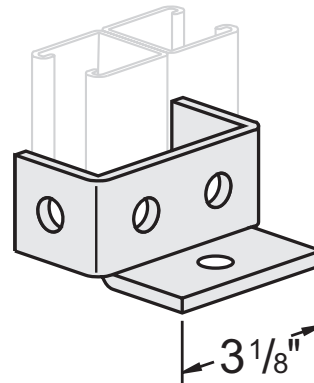
**8 HOLE GUSSETED POST BASE**

**G621**  
5/CTN  
290 LBS/100



**5 HOLE DOUBLE CHANNEL POST BASE**

**G621A**  
5/CTN  
130 LBS/100



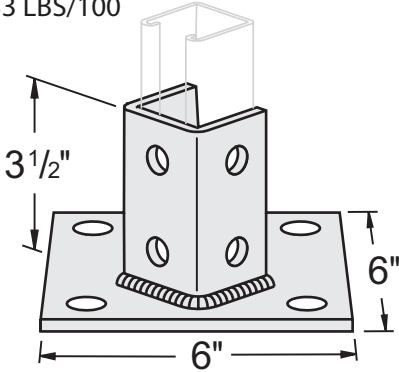
\* MATERIAL IS 1-5/8" WIDE x 1/4" THICK UNLESS SPECIFIED • HOLES ARE 9/16" DIAMETER UNLESS SPECIFIED \*

Fittings & Accessories

# POST BASES

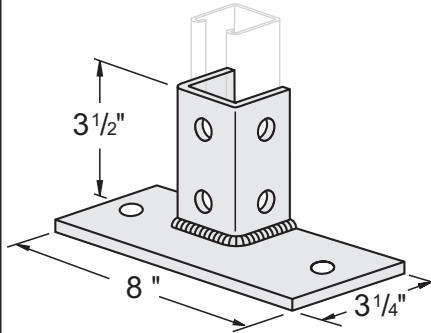
**10 HOLE SINGLE POST  
BASE DIAGONAL**

**G620**  
6/CTN  
333 LBS/100



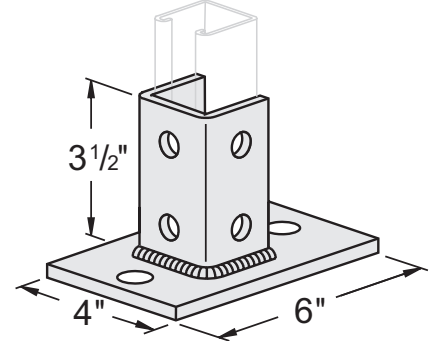
**8 HOLE SINGLE  
POST BASE FLUSH**

**G620FL**  
6/CTN  
312 LBS/100



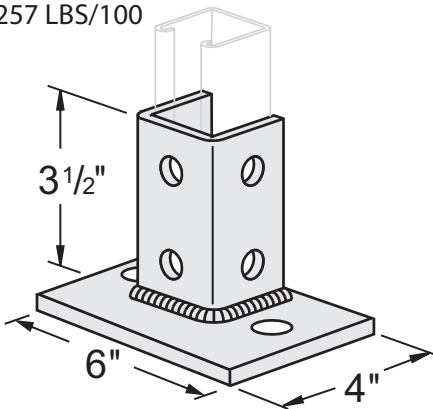
**6 HOLE SINGLE  
POST BASE**

**G620FL1**  
6/CTN  
257 LBS/100



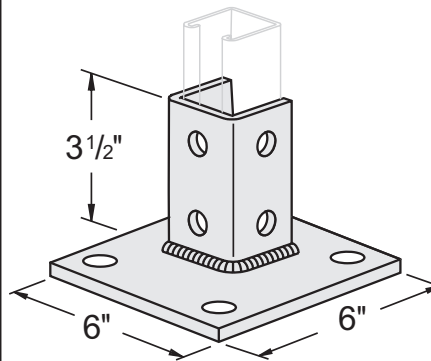
**6 HOLE SINGLE POST  
BASE FLUSH**

**G620FL2**  
6/CTN  
257 LBS/100



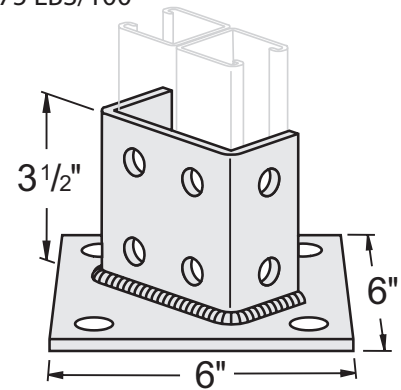
**10 HOLE SINGLE  
POST BASE**

**G620SQ**  
6/CTN  
333 LBS/100



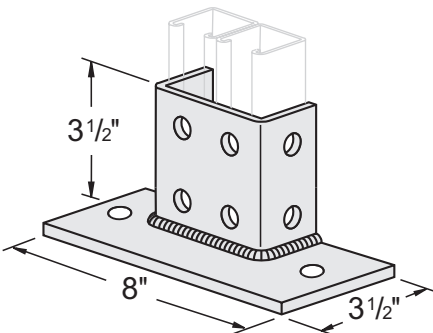
**12 HOLE DOUBLE  
POST BASE DIAGONAL**

**G620A**  
6/CTN  
375 LBS/100



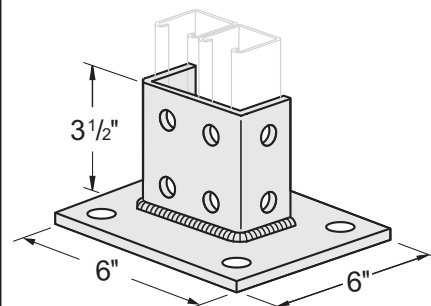
**10 HOLE DOUBLE  
POST BASE FLUSH**

**G620AFL**  
6/CTN  
320 LBS/100



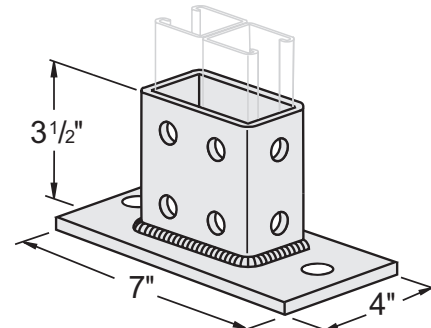
**12 HOLE DOUBLE  
POST BASE**

**G620ASQ**  
6/CTN  
375 LBS/100



**14 HOLE CLOSED  
DOUBLE POST BASE**

**G620ASQ1**  
5/CTN  
311 LBS/100



\* MATERIAL IS 1-5/8" WIDE x 1/4" THICK UNLESS SPECIFIED • HOLES ARE 9/16" DIAMETER UNLESS SPECIFIED \*

## SILVERHAWK TOP BEAM CLAMPS

**Superior Clamps for Fire Sprinklers & Pipe Support**

Our strongest, lightweight top beam clamp

Made from cold rolled, zinc plated corrosion-resistant steel

Zinc finish matches with plated rods & swivel ring hangers

Meets UL & FM testing requirements

Available in Stainless Steel for highly corrosive environments

**Quick & Easy Installation**

Unique counter balance design makes it simple to 'spin' SILVERHAWK onto threaded rods for quicker, hassle-free installation

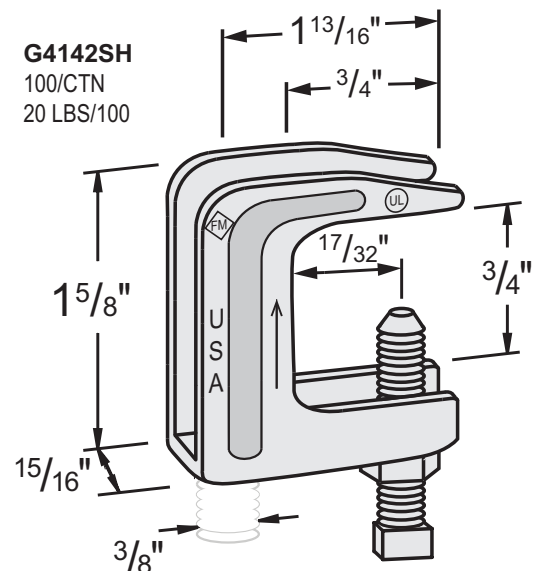
Open back shape provides visual verification

**THE SILVERHAWK ADVANTAGE:**

- Made in USA
- Supports 3/8" & metric rod
- 90° angle fits I-beam or T-bar up to 3/4" thickness
- Extruded tap holes meet FM Approvals requirements
- Accommodates retaining strap usage
- Competitively priced American made product (eliminates need to carry both domestic & import inventories)
- Includes plated, hardened cup point set screw and lock nut

**APPROVALS**

- UL listed for top beam
- FM approved for NFPA 13, 4" max rated pipe size
- Manufacturers Standardization Society SP-69, Type 19 & 23
- Federal Specification WW-H-171E
- Stainless Steel clamp not UL listed or FM approved
- Patent Pending

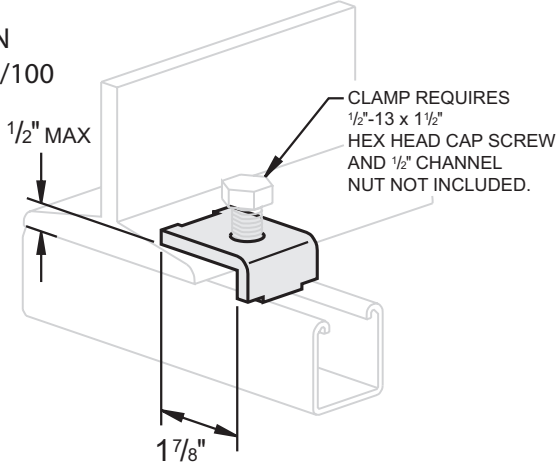




# BEAM CLAMPS

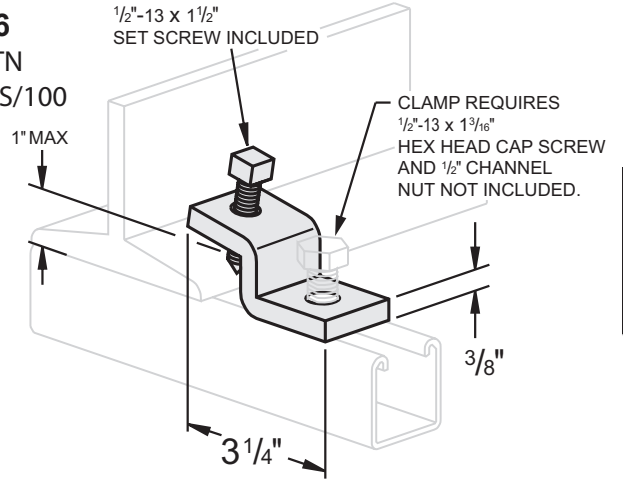
## SINGLE BOLT SLOT HOLD BEAM CLAMP

**G403**  
50/CTN  
30 LBS/100

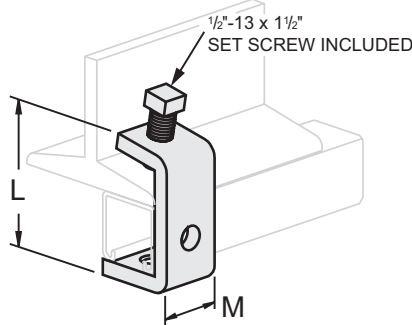


## FLANGE CONTACT BEAM CLAMP

**G406**  
25/CTN  
62 LBS/100



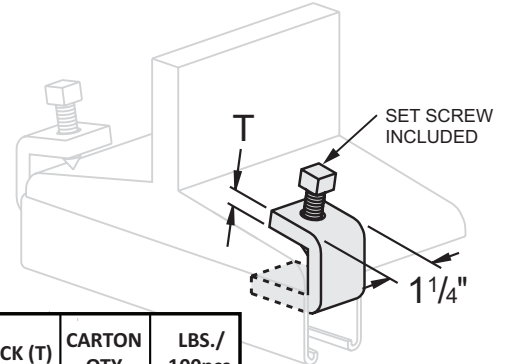
## HEAVY DUTY FLANGE BEAM CLAMP



PART #	SIZE (L)	SIZE (M)	CARTON QTY.	LBS./ 100pcs
G407	2"	1-1/8"	25	90
G4071	2-1/2"	1-1/2"	25	94

## HEAVY DUTY FLANGE BEAM CLAMP

- for Flanges Up To 7/8" Thick

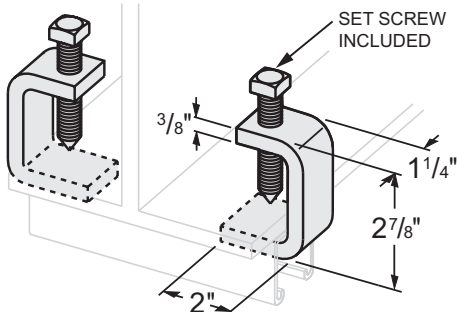


PART #	THICK (T)	CARTON QTY.	LBS./ 100pcs
G4081/4	1/4"	50	39
G4083/8	3/8"	25	58

## HEAVY DUTY FLANGE BEAM CLAMP

- for Flanges Up To 7/8" - 2" Thick

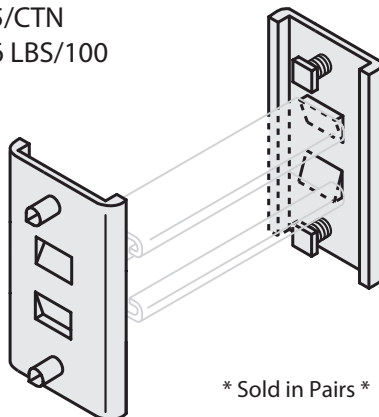
**G409**  
25/CTN  
79 LBS/100



## COLUMN CLAMP

- for 13/16" Channel

**G418**  
25/CTN  
56 LBS/100

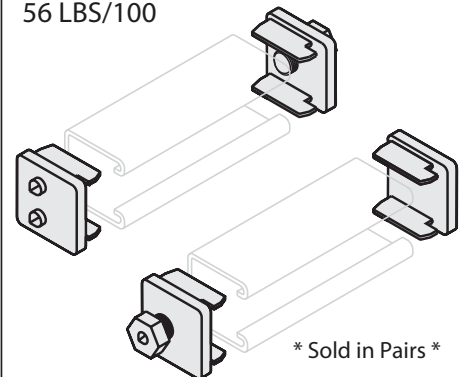


\* Sold in Pairs \*

## COLUMN CLAMP

- for 1-5/8" Channel

**G419**  
25/CTN  
56 LBS/100

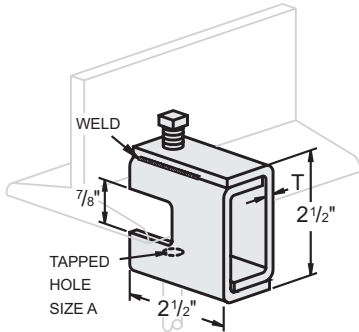


\* Sold in Pairs \*

\* MATERIAL IS 1-5/8" WIDE x 1/4" THICK UNLESS SPECIFIED HOLES ARE 9/16" DIAMETER UNLESS SPECIFIED \*

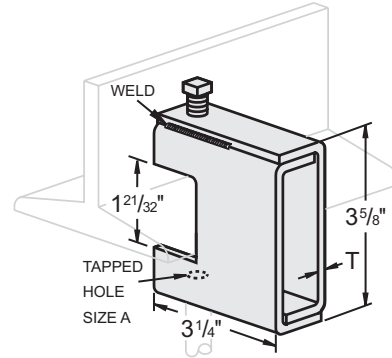
# BEAM CLAMPS

## BEAM CLAMP WITH 7/8" JAW OPENING



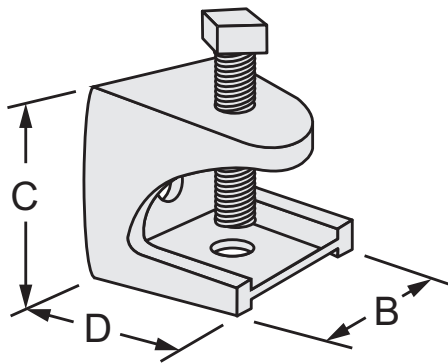
PART #	ROD SIZE (A)	CLAMP THICKNESS (T)	CARTON QTY.	LBS./ 100pcs
G4102	1/4	1/8"	10	71
G4103	3/8	1/8"	10	72
G4104	3/8	3/16"	10	97
G4105	1/2	3/16"	10	97
G4106	1/2	1/4"	10	131
G4107	5/8	1/4"	10	131
G4108	5/8	5/16"	10	160
G4109	3/4	5/16"	10	160

## BEAM CLAMP WITH 1-21/32" JAW OPENING



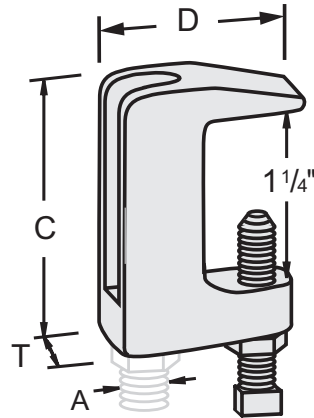
PART #	ROD SIZE (A)	CLAMP THICKNESS (T)	CARTON QTY.	LBS./ 100pcs
G4110	1/4	1/8"	10	113
G4111	3/8	1/8"	10	113
G4111B	3/8	3/16"	10	151
G4112	1/2	3/16"	10	151
G4112B	1/2	1/4"	10	205
G4113	5/8	5/16"	10	246

## ROD INSULATOR DUCTILE BEAM CLAMP (Electricians Clamp)



PART #	ROD SIZE	WIDE (B)	DEEP (D)	HIGH (C)	MAX FLANGE	CARTON QTY.	LBS./ 100pcs
G4121	1/4	1-1/8"	1-1/4"	1-3/8"	5/8"	100	22
G4122	3/8	2"	2"	1-3/4"	3/4"	25	70
G4123	1/2	2-5/16"	2-1/8"	2-1/8"	7/8"	25	120

## WIDE THROAT DUCTILE BEAM CLAMP (Large Mouth) Finish: Plain



\* Designate EG in Part#, if Electro-Galvanized Finish is Desired \*

PART #	ROD SIZE (A)	THICKNESS (T)	HIGH (C)	DEEP (D)	CARTON QTY.	LBS./ 100pcs
G4131	3/8	15/16"	2"	1-3/4"	50	37
G4132	1/2	15/16"	2-1/8"	1-3/4"	50	42
G4133	5/8	1-1/4"	2-1/4"	2-3/8"	50	80
G4134	3/4	1-3/8"	2-1/2"	2-1/2"	50	95

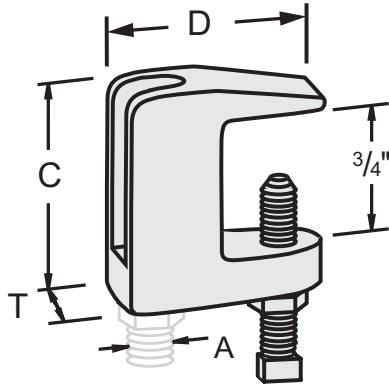
\* MATERIAL: STEEL (UNLESS SPECIFIED) • FINISH: ELECTRO-GALVANIZED (UNLESS SPECIFIED) \*

Fittings & Accessories

# BEAM CLAMPS

Fittings &  
Accessories

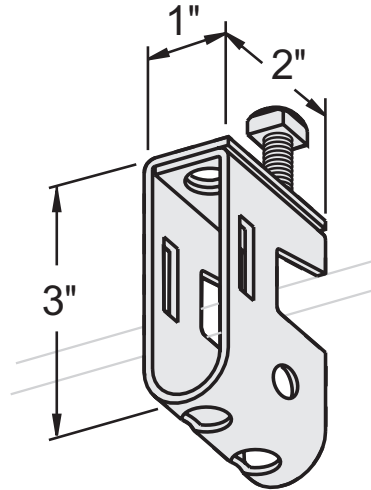
## UNIVERSAL DUCTILE BEAM CLAMP (Small Mouth)



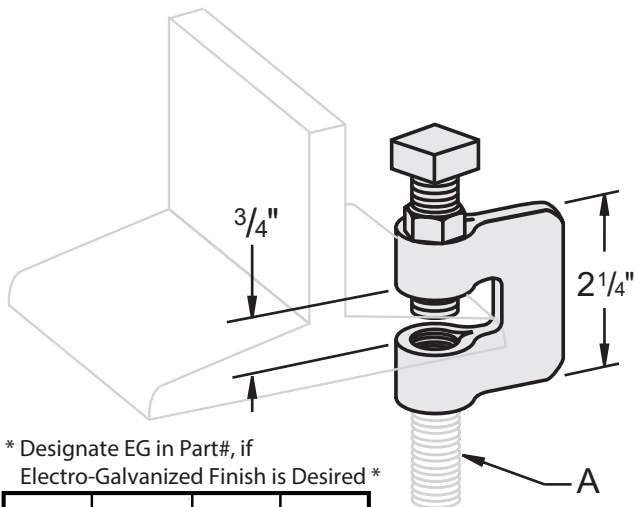
\* Designate EG in Part#, if Electro-Galvanized Finish is Desired \*


## 3/4" MAXIMUM FLANGE BEAM CLAMP Finish: Electro-Galvanized

**G415**  
25/CTN  
36 LBS/100



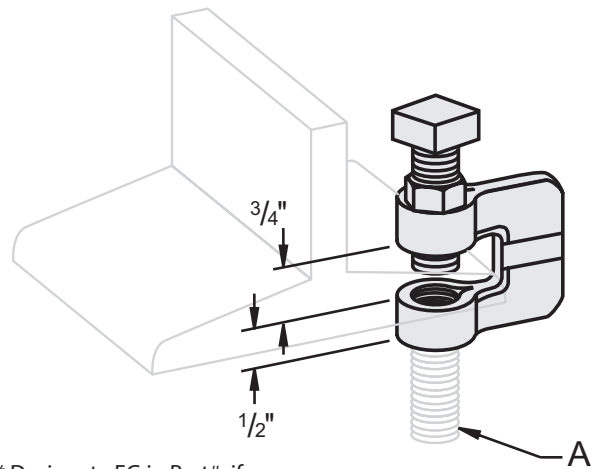
## STEEL C-CLAMP WITH LOCK NUT



\* Designate EG in Part#, if Electro-Galvanized Finish is Desired \*

PART #	ROD SIZE (A)	CARTON QTY.	LBS./ 100pcs
G416	3/8	100	45
G4161	1/2	100	46
G4162	5/8	50	66
G4163	3/4	50	86
G4164	7/8	25	176

## DUCTILE C-CLAMP WITH LOCK NUT



\* Designate EG in Part#, if Electro-Galvanized Finish is Desired \*

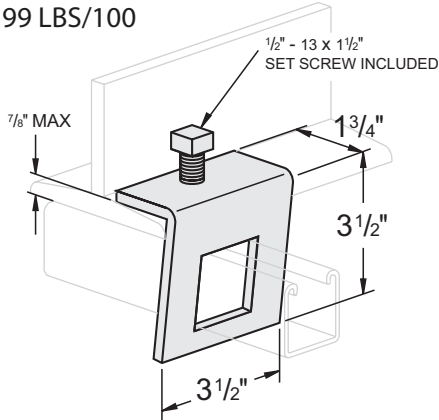
PART #	ROD SIZE (A)	CARTON QTY.	LBS./ 100pcs
G417	3/8	100	26
G4171	1/2	100	29
G4172	5/8	50	72
G4173	3/4	50	98

\* MATERIAL: STEEL (UNLESS SPECIFIED) • FINISH: Plain (UNLESS SPECIFIED) \*

# U-BOLTS & U BOLT BEAM CLAMPS

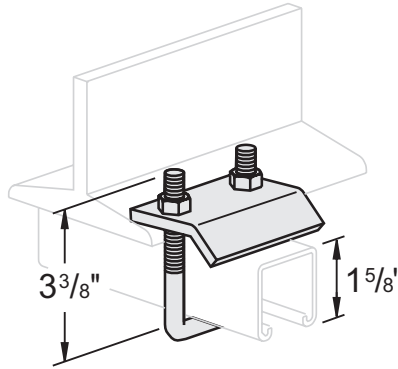
## BEAM CLAMP - PIERCED

**G401**  
25/CTN  
99 LBS/100

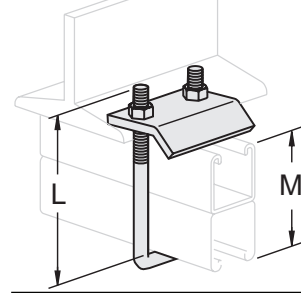


## U-BOLT BEAM CLAMP - for Single Channel

**G402**  
25/CTN  
69 LBS/100

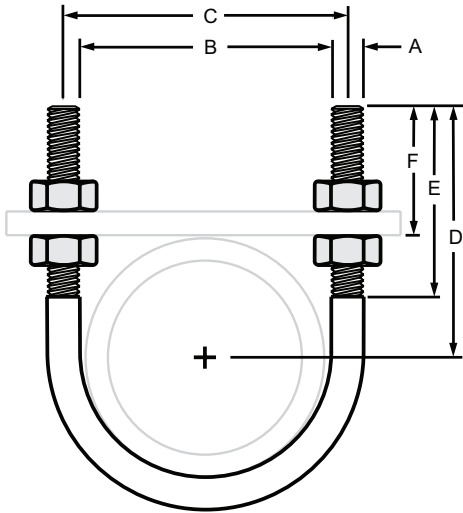


## U-BOLT BEAM CLAMP - for Double Channel



PART #	SIZE (L)	SIZE (M)	CARTON QTY.	LBS./100pcs
G4021	5"	3-1/4"	25	78
G4026	6-5/8"	4-7/8"	25	81
G4028	8-1/4"	6-1/2"	25	93

## U-BOLT



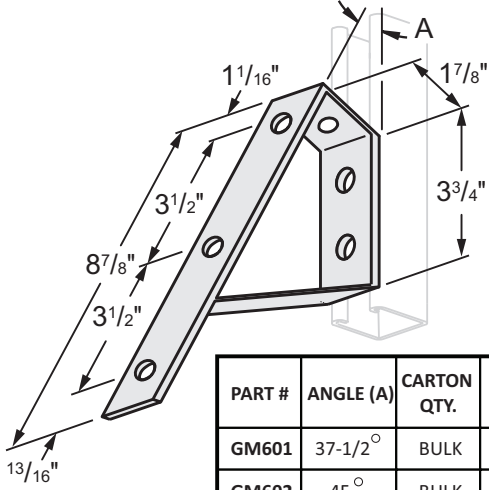
PART #	PIPE SIZE	ROD SIZE (A)	B	C	D	E	F	CARTON QTY.	LBS./100PCS
GUB050	1/2	1/4"	15/16"	1-3/16"	2-3/4"	2-1/8"	2-5/16"	100	11
GUB075	3/4		1-1/8"	1-3/8"			2-7/32"	100	12
GUB100	1		1-3/8"	1-5/8"			2-3/32"	100	12
GUB125	1-1/4	3/8"	1-11/16"	2-1/16"	2-7/8"	2-1/2"	2-1/32"	50	28
GUB150	1-1/2		2"	2-3/8"	3"		2-1/16"	50	30
GUB200	2	1/2"	2-7/16"	2-13/16"	3-1/4"	3"	2-1/16"	50	33
GUB250	2-1/2		2-15/16"	3-7/16"	3-3/4"		2-5/16"	25	73
GUB300	3		3-9/16"	4-1/16"	4"		2-1/4"	25	78
GUB350	3-1/2		4-1/16"	4-9/16"	4-1/4"			25	84
GUB400	4		4-9/16"	5-1/16"	4-1/2"			25	90
GUB500	5	5-5/8"	6-1/8"	5"	2-7/32"	10	101		
GUB600	6	5/8"	6-3/4"	7-3/8"	6-1/8"	3-3/4"	2-13/16"	10	200
GUB800	8		8-3/4"	9-3/8"	7-1/8"		10	233	
GUB1000	10	3/4"	10-7/8"	11-5/8"	8-3/8"	4"	3"	BULK	491
GUB1200	12	7/8"	12-7/8"	13-3/4"	9-5/8"		4-1/4"	3-1/4"	BULK
GUB1400	14		14-1/8"	15"	10-1/4"	BULK			830
GUB1600	16		16-1/8"	17"	11-1/4"	BULK			920
GUB1800	18	1"	18-1/8"	19-1/8"	12-5/8"	4-3/4"	3-5/8"	BULK	1350
GUB2000	20		20-1/8"	21-1/8"	13-5/8"			BULK	1460
GUB2400	24		24-1/8"	25-1/8"	15-5/8"			BULK	1690

\* MATERIAL IS 1-5/8" WIDE x 1/4" THICK UNLESS SPECIFIED • HOLES ARE 9/16" DIAMETER UNLESS SPECIFIED \*

Fittings & Accessories

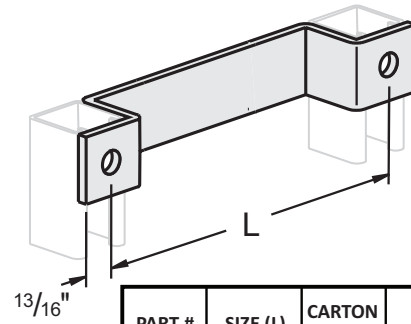
# BRACKET FITTINGS

## 6 HOLE STAIR SUPPORT



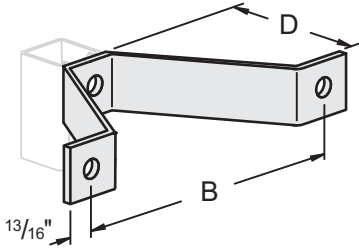
PART #	ANGLE (A)	CARTON QTY.	LBS./ 100pcs
GM601	37-1/2°	BULK	206
GM602	45°	BULK	220

## 2 HOLE LADDER RUNG



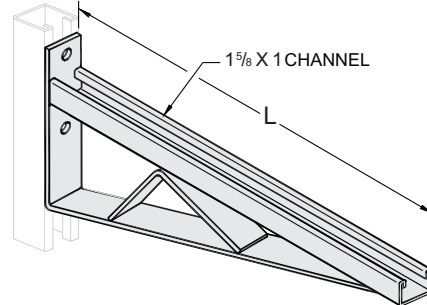
PART #	SIZE (L)	CARTON QTY.	LBS./ 100pcs
GM6101	12"	BULK	176
GM6102	15"	BULK	202
GM6103	18"	BULK	234

## 3 HOLE WALL BRACKET



PART #	WIDE (B)	DEEP (D)	CARTON QTY.	LBS./ 100pcs
GM6111	6"	2-3/8"	BULK	164
GM6112	8"	4-3/8"	BULK	200
GM6113	10"	6-3/8"	BULK	253
GM6114	12"	8-3/8"	BULK	272
GM6115	14"	10-3/8"	BULK	318

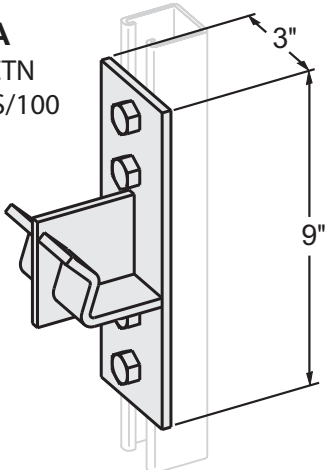
## SINGLE BRACED BRACKET



PART #	SIZE (L)	CARTON QTY.	LBS./ 100pcs
GT6251	12"	BULK	388
GT6252	18"	BULK	506
GT6253	24"	BULK	673

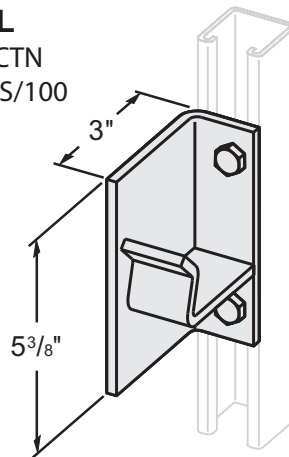
## 4 HOLE DOUBLE AXEL SUPPORT - 1-1/2" PIPE

**G605A**  
BULK/CTN  
326 LBS/100



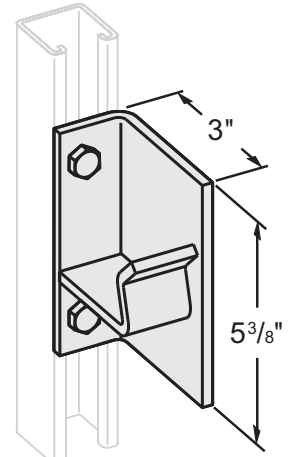
## 2 HOLE AXLE SUPPORT (Left Hand)

**G605L**  
BULK/CTN  
225 LBS/100



## 2 HOLE AXLE SUPPORT (Right Hand)

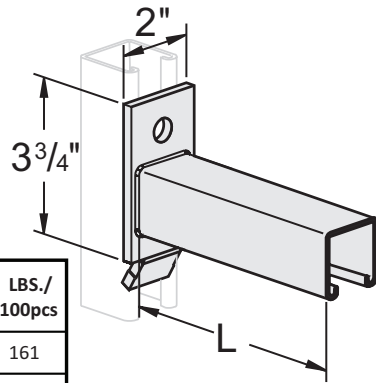
**G605R**  
BULK/CTN  
225 LBS/100



\* MATERIAL IS 1-5/8" WIDE x 1/4" THICK UNLESS SPECIFIED HOLES ARE 9/16" DIAMETER UNLESS SPECIFIED \*

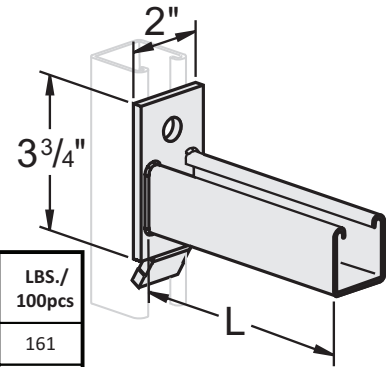
# BRACKET FITTINGS

## NO SWIVEL CHANNEL BRACKET OPEN DOWN



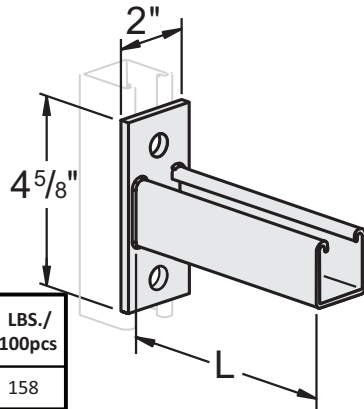
PART #	SIZE (L)	CARTON QTY.	LBS./ 100pcs
GT6091	6"	10	161
GT6092	12"	10	261
GT6093	18"	5	361
GT6094	24"	5	461

## NO SWIVEL CHANNEL BRACKET OPEN UP



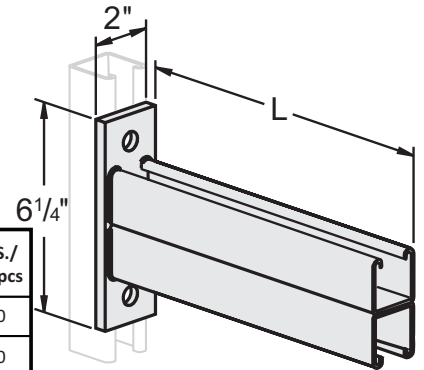
PART #	SIZE (L)	CARTON QTY.	LBS./ 100pcs
GT6181	6"	10	161
GT6182	12"	10	261
GT6183	18"	5	361
GT6184	24"	5	461

## SINGLE CHANNEL FLAT PLATE BRACKET



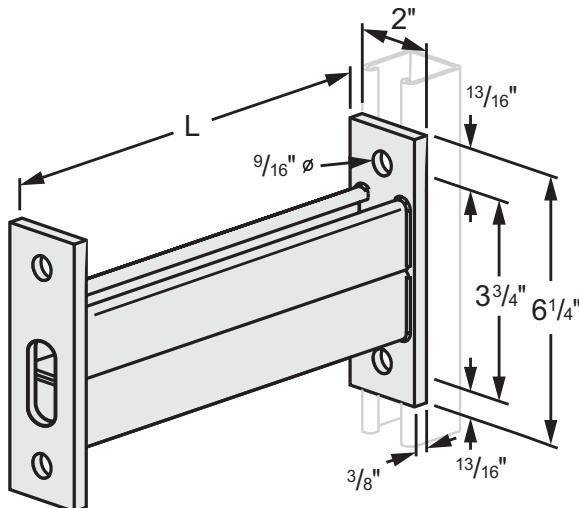
PART #	SIZE (L)	CARTON QTY.	LBS./ 100pcs
GT6121	6"	10	158
GT6122	12"	10	239
GT6123	18"	5	401
GT6124	24"	5	509

## DOUBLE CHANNEL FLAT PLATE BRACKET



PART #	SIZE (L)	CARTON QTY.	LBS./ 100pcs
GT61112	12"	BULK	490
GT61118	18"	BULK	670
GT61124	24"	BULK	860
GT61130	30"	BULK	1050
GT61136	36"	BULK	1240
GT61142	42"	BULK	1430

## DOUBLE CHANNEL STANCHION BRACKET



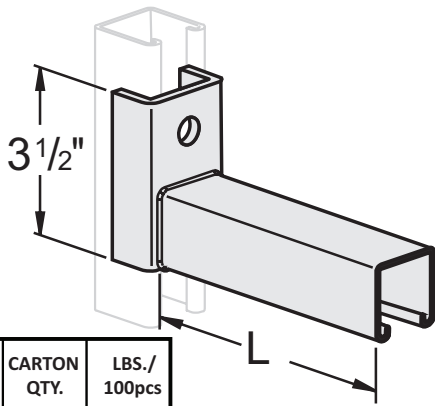
PART #	SIZE (L)	CARTON QTY.	LBS./ 100pcs
GT6101	24"	BULK	960
GT6102	30"	BULK	1150
GT6103	36"	BULK	361
GT6104	42"	BULK	461
GT6105	48"	BULK	461

\* MATERIAL IS 1-5/8" WIDE x 1/4" THICK UNLESS SPECIFIED • HOLES ARE 9/16" DIAMETER UNLESS SPECIFIED \*

# BRACKET FITTINGS

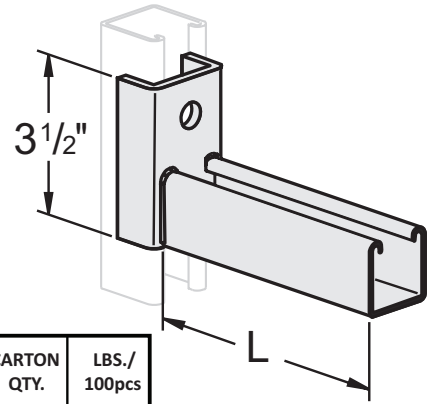
Fittings & Accessories

## CLEVIS BRACKET OPENING DOWN



PART #	SIZE (L)	CARTON QTY.	LBS./100pcs
GT613	6"	10	191
GT6131	12"	10	292

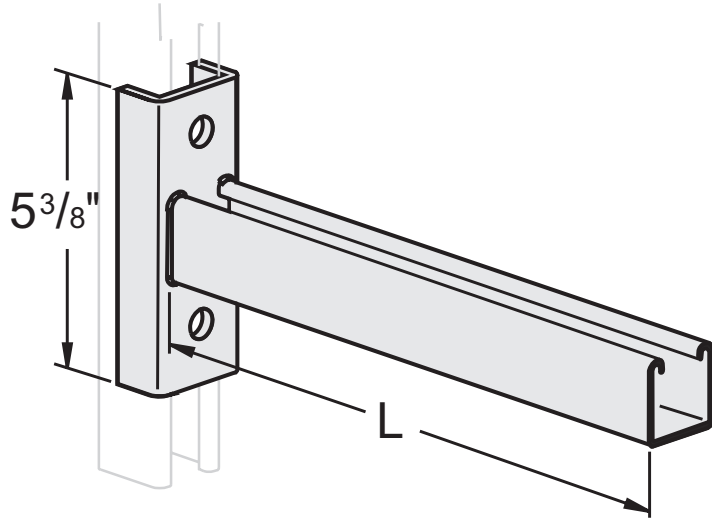
## CLEVIS BRACKET OPENING UP



PART #	SIZE (L)	CARTON QTY.	LBS./100pcs
GT614	6"	10	191
GT6141	12"	10	292

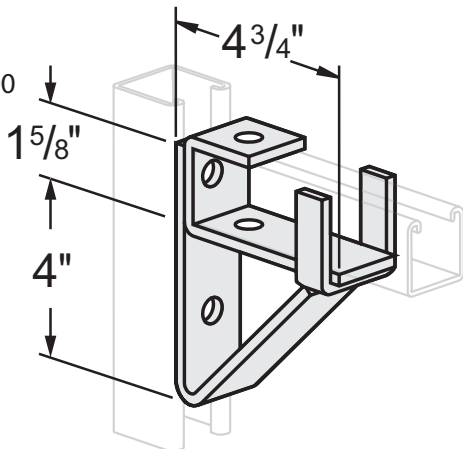
## SINGLE CHANNEL REVERSIBLE CLEVIS BRACKET

PART #	SIZE (L)	CARTON QTY.	LBS./100pcs
GT6171	18"	5	436
GT6172	24"	5	536



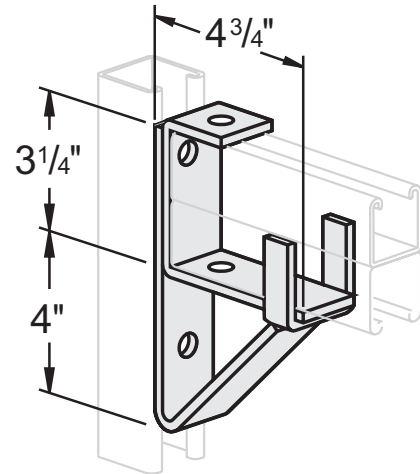
## SINGLE CHANNEL BRACKET SUPPORT

**GT615**  
10/CTN  
235 LBS/100



## DOUBLE CHANNEL BRACKET SUPPORT

**GT616**  
BULK/CTN  
275 LBS/100



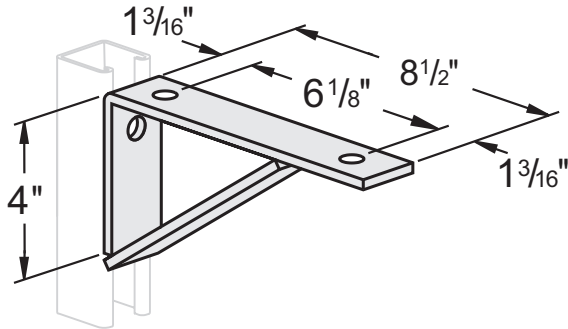
\* MATERIAL IS 1-5/8" WIDE x 1/4" THICK UNLESS SPECIFIED\* HOLES ARE 9/16" DIAMETER UNLESS SPECIFIED \*



# SHELF BRACKETS

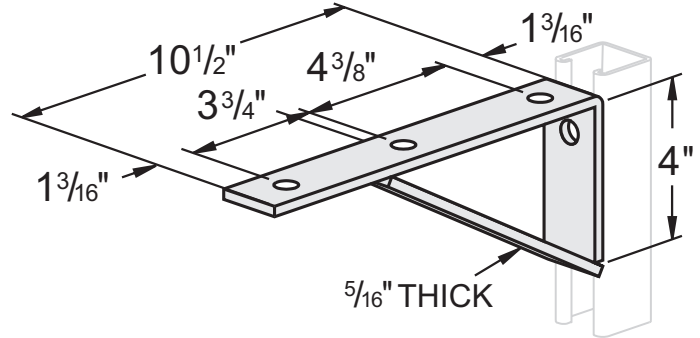
## 3 HOLE HEAVY DUTY SHELF BRACKET

**GT6191**  
BULK/CTN  
175 LBS/100

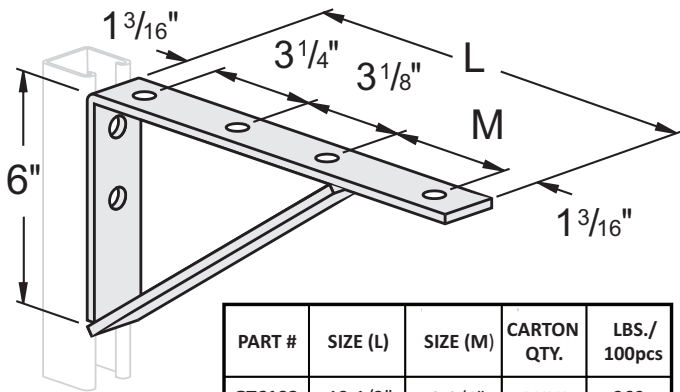


## 4 HOLE HEAVY DUTY SHELF BRACKET

**GT6192**  
BULK/CTN  
200 LBS/100

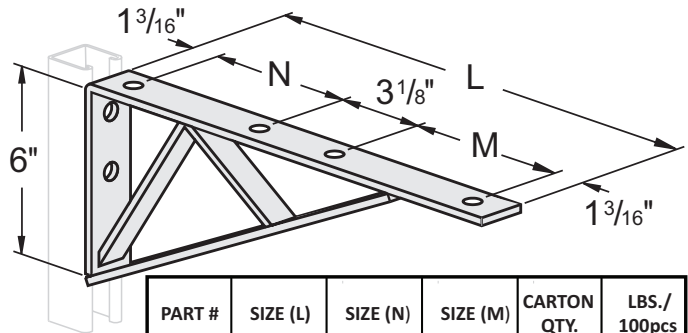


## 6 HOLE HEAVY DUTY SHELF BRACKET



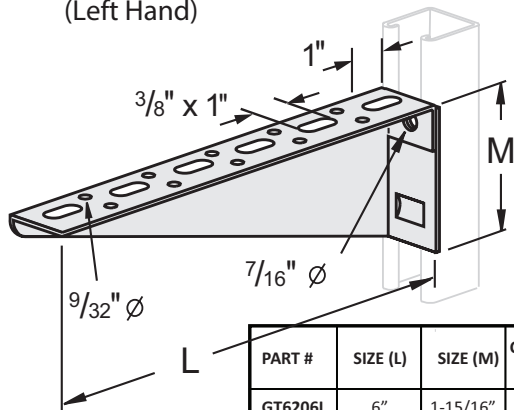
PART #	SIZE (L)	SIZE (M)	CARTON QTY.	LBS./100pcs
GT6193	12-1/2"	3-3/4"	BULK	260
GT6194	14-1/2"	5-3/4"	BULK	295

## 6 HOLE HEAVY DUTY BRACED SHELF BRACKET



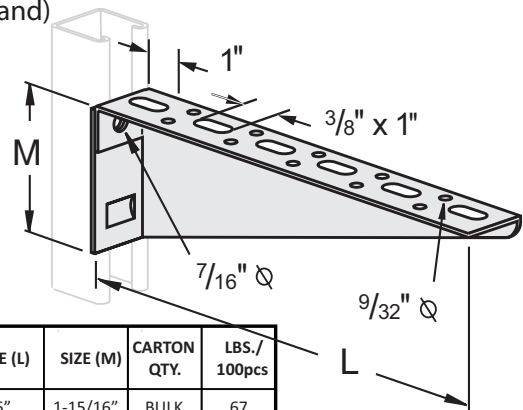
PART #	SIZE (L)	SIZE (N)	SIZE (M)	CARTON QTY.	LBS./100pcs
GT6231	16-1/2"	5-1/4"	5-3/4"	BULK	385
GT6232	18-1/2"	5-1/4"	7-3/4"	BULK	420
GT6233	20-1/2"	7-1/4"	7-3/4"	BULK	460

## 12 GAUGE SHELF BRACKET W/ SLOTS (Left Hand)



PART #	SIZE (L)	SIZE (M)	CARTON QTY.	LBS./100pcs
GT6206L	6"	1-15/16"	BULK	67
GT6208L	8"	2-7/16"	BULK	92
GT62010L	10"	2-15/16"	BULK	120

## 12 GAUGE SHELF BRACKET W/ SLOTS (Right Hand)



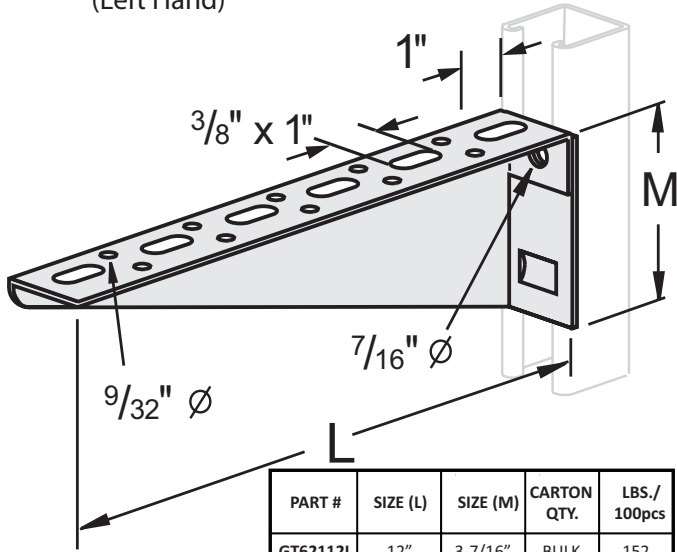
PART #	SIZE (L)	SIZE (M)	CARTON QTY.	LBS./100pcs
GT6206R	6"	1-15/16"	BULK	67
GT6208R	8"	2-7/16"	BULK	92
GT62010R	10"	2-15/16"	BULK	120

\* FINISH: ELECTRO-GALVANIZED • ALSO AVAILABLE IN STAINLESS STEEL & HOT DIP GALVANIZED \*

# SHELF BRACKETS

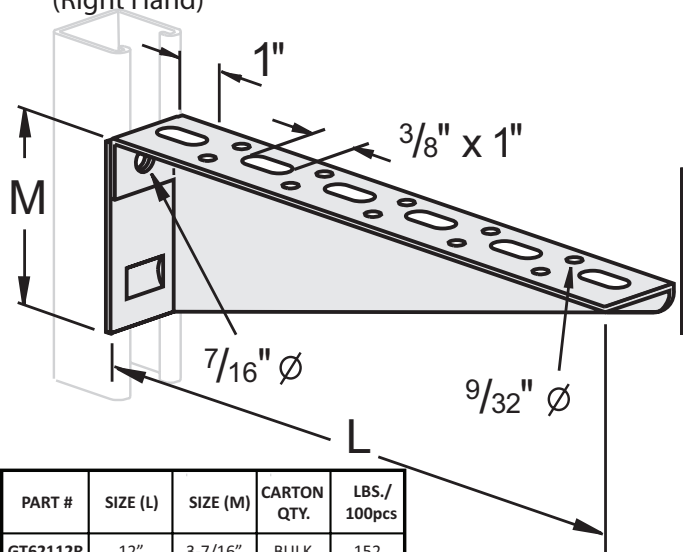
Fittings & Accessories

**12 GAUGE SHELF BRACKET W/ SLOTS**  
(Left Hand)



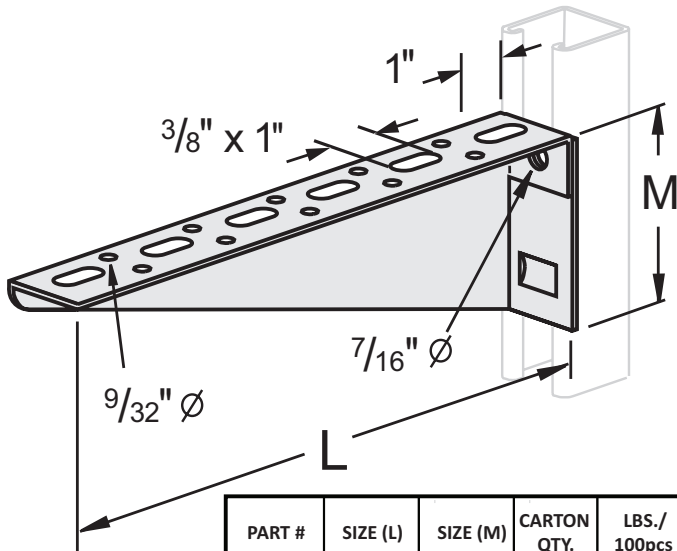
PART #	SIZE (L)	SIZE (M)	CARTON QTY.	LBS./ 100pcs
GT62112L	12"	3-7/16"	BULK	152
GT62114L	14"	3-15/16"	BULK	173
GT62116L	16"	4-7/16"	BULK	223
GT62118L	18"	4-15/16"	BULK	266
GT62120L	20"	5-7/16"	BULK	295
GT62122L	22"	5-15/16"	BULK	361

**12 GAUGE SHELF BRACKET W/ SLOTS**  
(Right Hand)



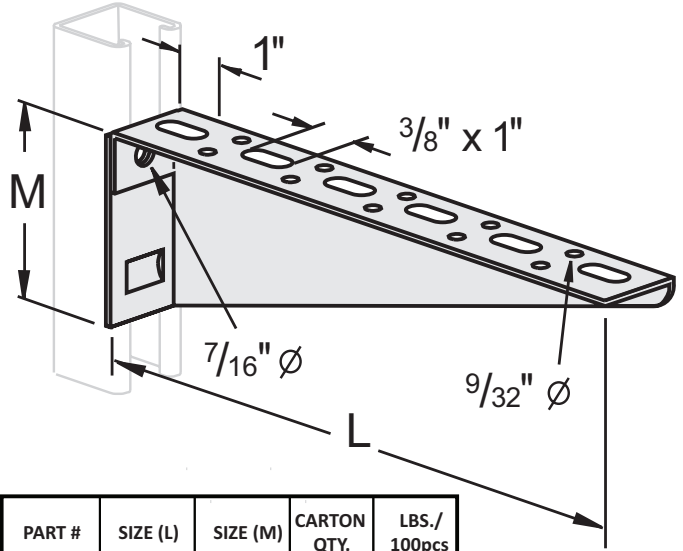
PART #	SIZE (L)	SIZE (M)	CARTON QTY.	LBS./ 100pcs
GT62112R	12"	3-7/16"	BULK	152
GT62114R	14"	3-15/16"	BULK	173
GT62116R	16"	4-7/16"	BULK	223
GT62118R	18"	4-15/16"	BULK	266
GT62120R	20"	5-7/16"	BULK	295
GT62122R	22"	5-15/16"	BULK	361

**12 GAUGE SHELF BRACKET W/ SLOTS**  
(Left Hand)



PART #	SIZE (L)	SIZE (M)	CARTON QTY.	LBS./ 100pcs
GT62224L	24"	6-7/16"	BULK	400
GT62226L	26"	6-15/16"	BULK	456
GT62228L	28"	7-7/16"	BULK	479
GT62230L	30"	7-15/16"	BULK	544

**12 GAUGE SHELF BRACKET W/ SLOTS**  
(Right Hand)

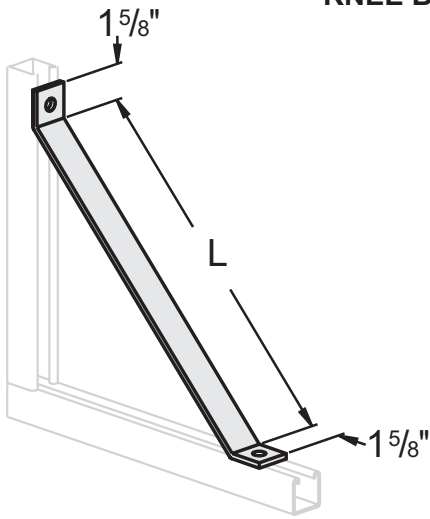


PART #	SIZE (L)	SIZE (M)	CARTON QTY.	LBS./ 100pcs
GT62224R	24"	6-7/16"	BULK	400
GT62226R	26"	6-15/16"	BULK	456
GT62228R	28"	7-7/16"	BULK	479
GT62230R	30"	7-15/16"	BULK	544

\* FINISH: ELECTRO-GALVANIZED \* ALSO AVAILABLE IN STAINLESS STEEL & HOT DIP GALVANIZED \*

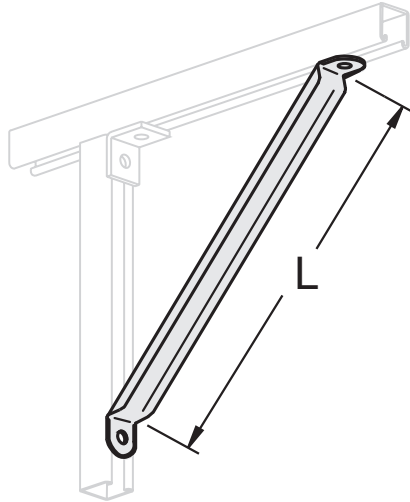
# BRACE FITTINGS

## KNEE BRACE



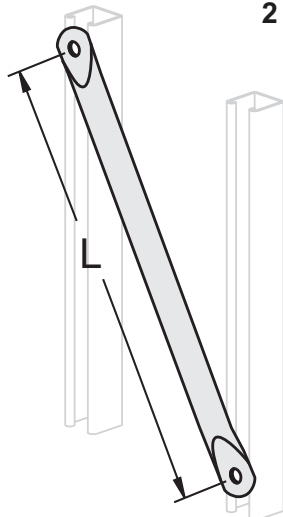
PART #	SIZE (L)	CARTON QTY.	LBS./ 100pcs
G603	18"	BULK	238
G6031	16-5/8"	BULK	230
G6032	12"	15	168
G6033	24"	BULK	280

## 2 HOLE TUBING BRACE



PART #	SIZE (L)	CARTON QTY.	LBS./ 100pcs
G6081	18"	BULK	145
G6082	24"	BULK	186
G6083	30"	BULK	225
G6084	36"	BULK	266
G6085	42"	BULK	307
G6086	48"	BULK	348
G6087	54"	BULK	389
G6088	60"	BULK	430

## 2 HOLE STRAIGHT TUBING BRACE



PART #	SIZE (L)	CARTON QTY.	LBS./ 100pcs
GTB6081	18"	BULK	133
GTB6082	24"	BULK	174
GTB6083	30"	BULK	215
GTB6084	36"	BULK	205
GTB6085	42"	BULK	235
GTB6086	48"	BULK	270
GTB6087	54"	BULK	300
GTB6088	60"	BULK	335
GTB6089	72"	BULK	400
GTB60810	84"	BULK	585
GTB60811	96"	BULK	670

\* FINISH: ELECTRO-GALVANIZED • ALSO AVAILABLE IN STAINLESS STEEL & HOT DIP GALVANIZED \*

## G-STRUT® Clamps

### General:

G-STRUT® Clamps are inserted at any point along the open slot of strut products and bolted closed over the conduit, pipe or tubing. This allows for easy alignment and adjustment of multiple runs and secure mounting.

### Material:

G-STRUT® Clamps are formed in punch presses and made from hot rolled steel conforming to ASTM standards A-366, A-570 and A-576.

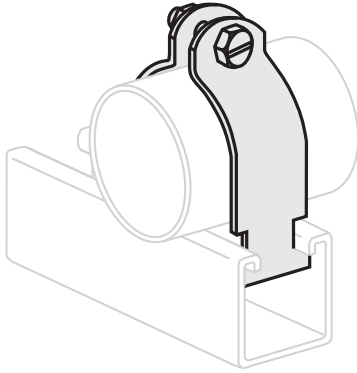
### Finishes:

Standard finish is electro-plated. Also available in custom finishes, hot-dip galvanized, stainless, copper plated, aluminum, and yellow zinc. Consult factory for other finishes.



# CONDUIT CLAMPS

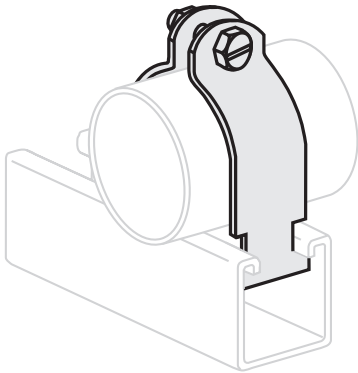
## CONDUIT CLAMPS - EMT ASSEMBLED



PART #	PIPE SIZE	CARTON QTY.	LBS./ 100pcs
GC110050ASMBL	1/2"	100	11
GC110075ASMBL	3/4"	100	12
GC110100ASMBL	1"	100	15
GC110125ASMBL	1-1/4"	100	18
GC110150ASMBL	1-1/2"	50	29
GC110200ASMBL	2"	50	33

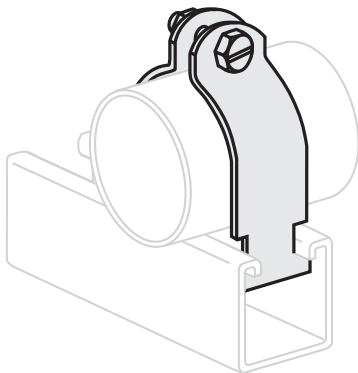
Clamps

## CONDUIT CLAMP - RIGID ASSEMBLED



PART #	PIPE SIZE	CARTON QTY.	LBS./ 100pcs	PART #	PIPE SIZE	CARTON QTY.	LBS./ 100pcs
GC112050ASMBL	1/2"	100	11	GC112300ASMBL	3"	50	47
GC112075ASMBL	3/4"	100	15	GC112350ASMBL	3-1/2"	25	62
GC112100ASMBL	1"	100	17	GC112400ASMBL	4"	25	67
GC112125ASMBL	1-1/4"	100	19	GC112500ASMBL	5"	25	80
GC112150ASMBL	1-1/2"	50	29	GC112600ASMBL	6"	25	102
GC112200ASMBL	2"	50	34	GC112800ASMBL	8"	25	130
GC112250ASMBL	2-1/2"	50	40	GC1121000ASMBL	10"	10	143

## CONDUIT CLAMP - UNIVERSAL ASSEMBLED

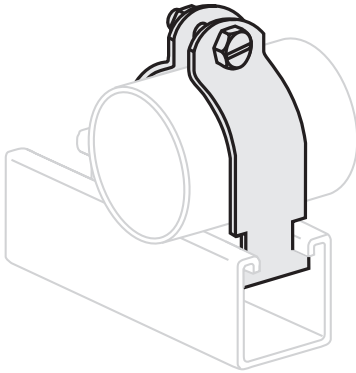


PART #	PIPE SIZE	CARTON QTY.	LBS./ 100pcs
GC114050ASMBL	1/2"	100	12
GC114075ASMBL	3/4"	100	13
GC114100ASMBL	1"	100	17
GC114125ASMBL	1-1/4"	100	20
GC114150ASMBL	1-1/2"	50	22
GC114200ASMBL	2"	50	23

\* FINISH: ELECTRO-GALVANIZED • RIGID CLAMPS ARE ALSO AVAILABLE IN STAINLESS STEEL, HOT DIP GALVANIZED, YELLOW ZINC & ALUMINUM \*

# CONDUIT CLAMPS

## CONDUIT CLAMPS - O.D. TUBING



PART #	O.D. SIZE	CARTON QTY.	LBS./ 100pcs
GC111025	1/4"	100	7
GC111037	3/8"	100	8
GC111050	1/2"	100	8
GC111062	5/8"	100	9
GC111075	3/4"	100	10
GC111087	7/8"	100	11
GC111100	1"	100	12
GC111112	1-1/8"	100	14
GC111125	1-1/4"	100	15
GC111137	1-3/8"	100	16
GC111150	1-1/2"	100	17
GC111162	1-5/8"	100	18
GC111175	1-3/4"	50	26
GC111187	1-7/8"	50	28
GC111200	2"	50	29
GC111212	2-1/8"	50	29
GC111225	2-1/4"	50	32
GC111237	2-3/8"	50	32
GC111250	2-1/2"	50	33
GC111262	2-5/8"	50	34
GC111275	2-3/4"	50	35
GC111287	2-7/8"	50	36

PART #	O.D. SIZE	CARTON QTY.	LBS./ 100pcs
GC111300	3"	50	37
GC111312	3-1/8"	50	38
GC111325	3-1/4"	50	40
GC111337	3-3/8"	50	42
GC111350	3-1/2"	50	45
GC111362	3-5/8"	25	54
GC111375	3-3/4"	25	56
GC111387	3-7/8"	25	57
GC111400	4"	25	58
GC111412	4-1/8"	25	60
GC111425	4-1/4"	25	61
GC111437	4-3/8"	25	62
GC111450	4-1/2"	25	63
GC111462	4-5/8"	25	64
GC111475	4-3/4"	25	65
GC111487	4-7/8"	25	66
GC111500	5"	25	67
GC111512	5-1/8"	25	69
GC111525	5-1/4"	25	70
GC111537	5-3/8"	25	74
GC111550	5-1/2"	25	76
GC111562	5-5/8"	25	83
GC111575	5-3/4"	25	87
GC111587	5-7/8"	25	88
GC111600	6"	25	90
GC111612	6-1/8"	25	91
GC111625	6-1/4"	25	92
GC111637	6-3/8"	25	93
GC111650	6-1/2"	25	94
GC111662	6-5/8"	25	96
GC111675	6-3/4"	25	97
GC111687	6-7/8"	25	98

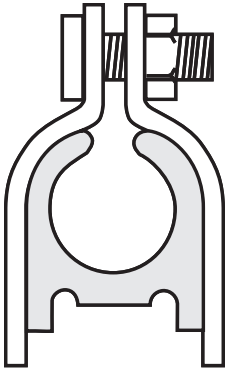
PART #	O.D. SIZE	CARTON QTY.	LBS./ 100pcs
GC111700	7"	25	101
GC111712	7-1/8"	25	103
GC111725	7-1/4"	25	104
GC111737	7-3/8"	25	105
GC111750	7-1/2"	25	106
GC111762	7-5/8"	25	107
GC111775	7-3/4"	25	111
GC111787	7-7/8"	25	112
GC111800	8"	25	113
GC111812	8-1/8"	25	114
GC111825	8-1/4"	25	115
GC111837	8-3/8"	25	116
GC111850	8-1/2"	25	117
GC111862	8-5/8"	25	118
GC111875	8-3/4"	25	119
GC111887	8-7/8"	25	120
GC111900	9"	25	121
GC111912	9-1/8"	25	123
GC111925	9-1/4"	25	124
GC111937	9-3/8"	25	126
GC111950	9-1/2"	25	128
GC111962	9-5/8"	25	131
GC111975	9-3/4"	25	132
GC111987	9-7/8"	25	135
GC1111000	10"	25	136
GC1111012	10-1/8"	25	137
GC1111025	10-1/4"	25	138
GC1111037	10-3/8"	25	140
GC1111050	10-1/2"	25	143
GC1111062	10-5/8"	25	145
GC1111075	10-3/4"	25	146
GC1111087	10-7/8"	25	146

\* FINISH: ELECTRO-GALVANIZED • ALSO AVAILABLE IN STAINLESS STEEL & ALUMINUM \*

## CUSHION CLAMPS

## CUSHION CLAMPS - TUBE

Finish: Yellow Zinc



Clamps

PART #	O.D. SIZE	CARTON QTY.	LBS./ 100pcs		PART #	O.D. SIZE	CARTON QTY.	LBS./ 100pcs
GC1025	1/4"	25	11		GC1162	1-5/8"	10	40
GC1037	3/8"	25	12		GC1175	1-3/4"	10	42
GC1050	1/2"	25	13		GC1187	1-7/8"	10	46
GC1062	5/8"	25	15		GC1200	2"	10	46
GC1075	3/4"	25	19		GC1212	2-1/8"	10	58
GC1087	7/8"	25	21		GC1237	2-3/8"	10	58
GC1100	1"	25	25		GC1262	2-5/8"	10	58
GC1112	1-1/8"	25	29		GC1300	3"	5	59
GC1125	1-1/4"	10	29		GC1312	3-1/8"	5	69
GC1137	1-3/8"	10	38		GC1362	3-5/8"	5	75
GC1150	1-1/2"	10	38		GC1412	4-1/8"	5	90

## CONDUIT CLAMP - PIPE

Finish: Yellow Zinc



PART #	PIPE SIZE	CARTON QTY.	LBS./ 100pcs
GC2025	1/4"	25	12
GC2037	3/8"	25	14
GC2050	1/2"	25	21
GC2075	3/4"	25	22
GC2100	1"	25	24
GC2125	1-1/4"	10	39
GC2150	1-1/2"	10	43
GC2200	2"	10	47
GC2250	2-1/2"	10	55
GC2300	3"	5	58
GC2350	3-1/2"	5	60
GC2400	4"	5	76
GC2500	5"	5	93
GC2600	6"	5	94



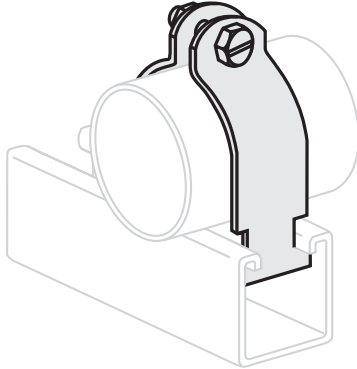
# CONDUIT CLAMPS

G-STRUT®

Section 4

## CONDUIT CLAMPS - O.D. TUBING

Finish: Copper Plated



PART #	O.D. SIZE	CARTON QTY.	LBS./ 100pcs
GC111025CT	1/4"	100	8
GC111037CT	3/8"	100	8
GC111050CT	1/2"	100	9
GC111062CT	5/8"	100	10
GC111075CT	3/4"	100	11
GC111087CT	7/8"	100	12
GC111100CT	1"	100	14
GC111112CT	1-1/8"	100	15
GC111125CT	1-1/4"	100	16
GC111137CT	1-3/8"	100	17
GC111150CT	1-1/2"	100	18

PART #	O.D. SIZE	CARTON QTY.	LBS./ 100pcs
GC111162CT	1-5/8"	100	19
GC111175CT	1-3/4"	50	28
GC111187CT	1-7/8"	50	29
GC111200CT	2"	50	31
GC111212CT	2-1/8"	50	32
GC111225CT	2-1/4"	50	33
GC111237CT	2-3/8"	50	34
GC111250CT	2-1/2"	50	35
GC111262CT	2-5/8"	50	37
GC111275CT	2-3/4"	50	38
GC111287CT	2-7/8"	50	40
GC111300CT	3"	50	41
GC111312CT	3-1/8"	50	43
GC111325CT	3-1/4"	50	45
GC111337CT	3-3/8"	50	46
GC111350CT	3-1/2"	50	47
GC111362CT	3-5/8"	25	56
GC111375CT	3-3/4"	25	58
GC111387CT	3-7/8"	25	60
GC111400CT	4"	25	62
GC111412CT	4-1/8"	25	62
GC111425CT	4-1/4"	25	64
GC111437CT	4-3/8"	25	66
GC111450CT	4-1/2"	25	67
GC111462CT	4-5/8"	25	70
GC111475CT	4-3/4"	25	72

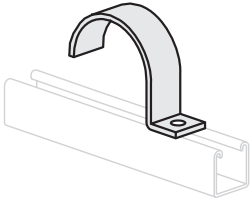
PART #	O.D. SIZE	CARTON QTY.	LBS./ 100pcs
GC111487CT	4-7/8"	25	73
GC111500CT	5"	25	74
GC111512CT	5-1/8"	25	76
GC111525CT	5-1/4"	25	77
GC111537CT	5-3/8"	25	78
GC111550CT	5-1/2"	25	79
GC111562CT	5-5/8"	25	88
GC111575CT	5-3/4"	25	90
GC111587CT	5-7/8"	25	92
GC111600CT	6"	25	94
GC111612CT	6-1/8"	25	96
GC111625CT	6-1/4"	25	98
GC111637CT	6-3/8"	25	99
GC111650CT	6-1/2"	25	100
GC111662CT	6-5/8"	25	102
GC111675CT	6-3/4"	25	104
GC111687CT	6-7/8"	25	106
GC111700CT	7"	25	108
GC111712CT	7-1/8"	25	110
GC111725CT	7-1/4"	25	112
GC111737CT	7-3/8"	25	114
GC111750CT	7-1/2"	25	116
GC111762CT	7-5/8"	25	117
GC111775CT	7-3/4"	25	119
GC111787CT	7-7/8"	25	121
GC111800CT	8"	25	123

Clamps

# PIPE CLAMPS

## 1 HOLE TUBING CLAMP

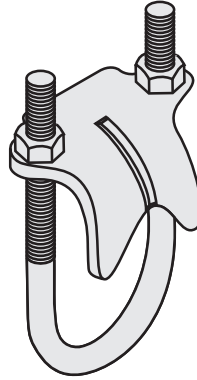
Finish: Electro-Galvanized



PART #	PIPE SIZE	CARTON QTY.	LBS./ 100pcs
G1109025	1/4"	100	3
G1109031	5/16"	100	3
G1109037	3/8"	100	4
G1109050	1/2"	100	4
G1109062	5/8"	100	5
G1109075	3/4"	100	6
G1109087	7/8"	100	6
G1109100	1"	100	7

## RIGHT ANGLE CLAMP

Finish: Hot Dip Galvanized



PART #	PIPE SIZE	CARTON QTY.	LBS./ 100pcs
GRA050	1/2"	25	41
GRA075	3/4"	25	42
GRA100	1"	25	47
GRA125	1-1/4"	25	54
GRA150	1-1/2"	25	57
GRA200	2"	10	85
GRA250	2-1/2"	10	106
GRA300	3"	5	110
GRA350	3-1/2"	5	128
GRA400	4"	5	140

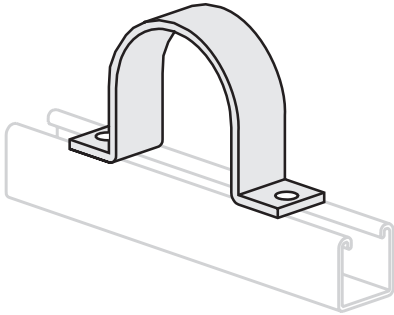
\* Designate SS(316) in Part#, if 316 Stainless Steel Finish is Desired \*

Clamps

## 2 HOLE PIPE STRAP

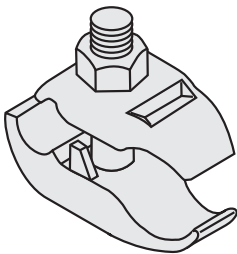
Finish: Electro-Galvanized

- FOR IRON PIPE & RIGID CONDUIT




## PARALLEL CLAMPS

Finish: Hot Dip Galvanized

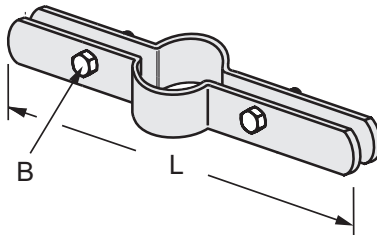


\* Designate SS(316) in Part#, if 316 Stainless Steel Finish is Desired \*

PART #	PIPE SIZE	CARTON QTY.	LBS./ 100pcs
G1112075	3/4"	10	64
G1112100	1"	10	70

## RISER CLAMP

Finish: Plain



\* Remove "PLAIN" in Part#, if Electro-Galvanized Finish is Desired \*

PART #	PIPE SIZE	SIZE (L)	BOLT SIZE (B)	CARTON QTY.	LBS./ 100pcs
GRCL050PLAIN	1/2"	9"	3/8-16 x 1-1/4"	25	101
GRCL075PLAIN	3/4"	9-1/4"	3/8-16 x 1-1/4"	25	105
GRCL100PLAIN	1"	9-9/16"	3/8-16 x 1-1/4"	25	109
GRCL125PLAIN	1-1/4"	10"	3/8-16 x 1-1/4"	100	112
GRCL150PLAIN	1-1/2"	10-1/4"	3/8-16 x 1-1/2"	20	113
GRCL200PLAIN	2"	10-3/4"	3/8-16 x 1-1/2"	20	165
GRCL250PLAIN	2-1/2"	11-1/4"	3/8-16 x 1-1/2"	25	180
GRCL300PLAIN	3"	11-5/16"	3/8-16 x 1-1/2"	25	195
GRCL350PLAIN	3-1/2"	12-3/8"	1/2-13 x 1-3/4"	20	217
GRCL400PLAIN	4"	12-7/8"	1/2-13 x 1-3/4"	20	228
GRCL500PLAIN	5"	14"	1/2-13 x 1-3/4"	100	480
GRCL600PLAIN	6"	15-3/16"	1/2-13 x 2"	100	526

## SECTION 5

### G-STRUT® Concrete Inserts & Endcaps

**General:**

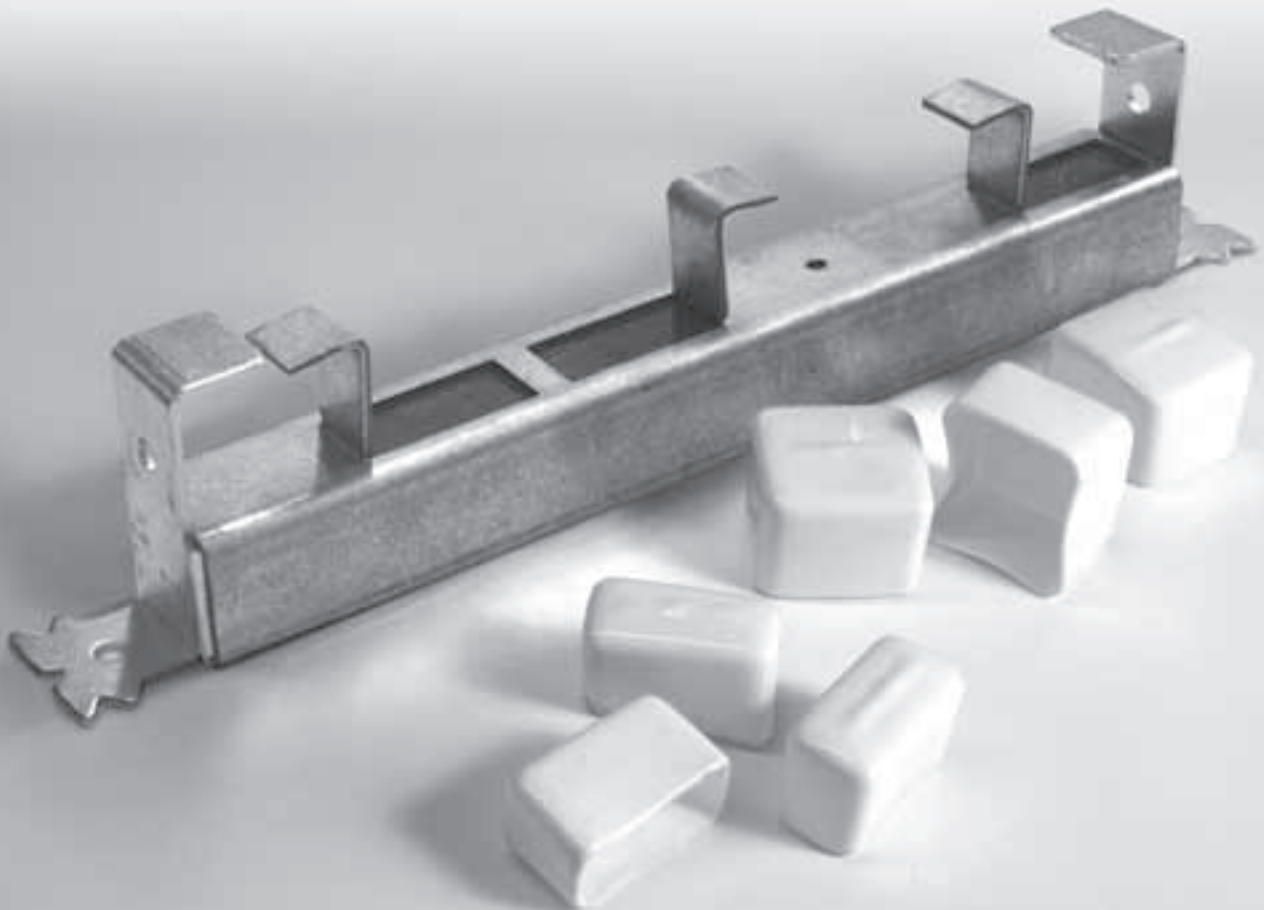
Concrete inserts are available with Styrofoam strip inserts.

**Length:**

Inserts are available in 10' and 20' lengths. Consult factory for custom lengths.

**Finishes:**

Inserts and end caps are available in pre-galvanized and plain. End caps also available in plastic.

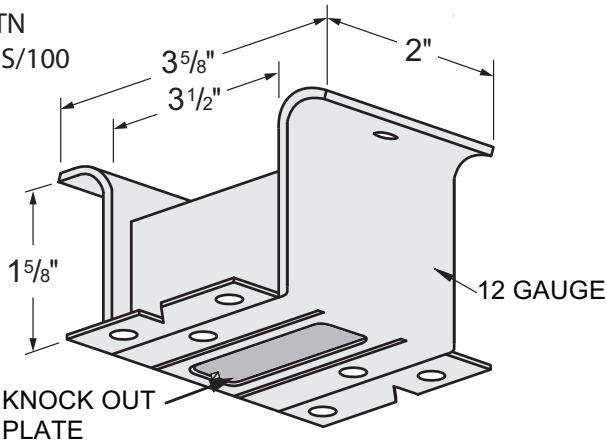


# CONCRETE INSERTS

## SPOT CONCRETE INSERT

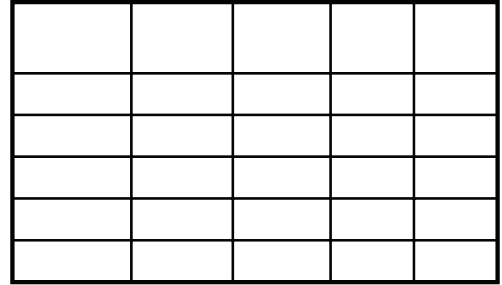
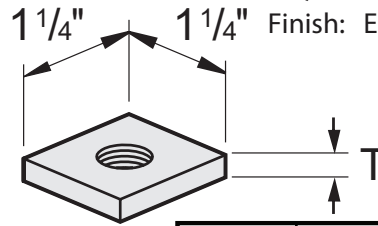
Finish: Electro-Galvanized

**GSPCI**  
50/CTN  
50 LBS/100



## SQUARE SPOT INSERT NUT

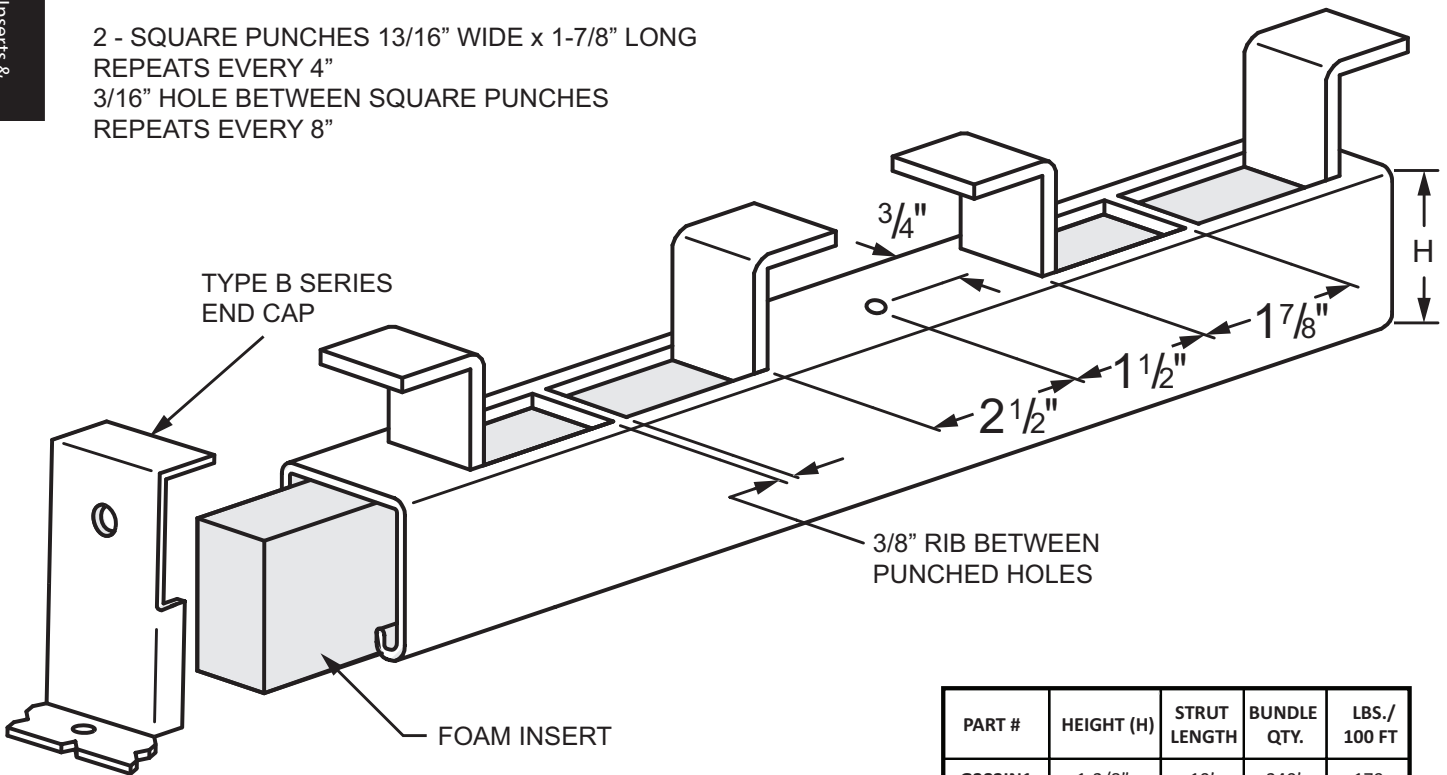
Finish: Electro-Galvanized



## CONTINUOUS CONCRETE INSERT

Finish: Pre-Galvanized

2 - SQUARE PUNCHES 13/16" WIDE x 1-7/8" LONG  
REPEATS EVERY 4"  
3/16" HOLE BETWEEN SQUARE PUNCHES  
REPEATS EVERY 8"

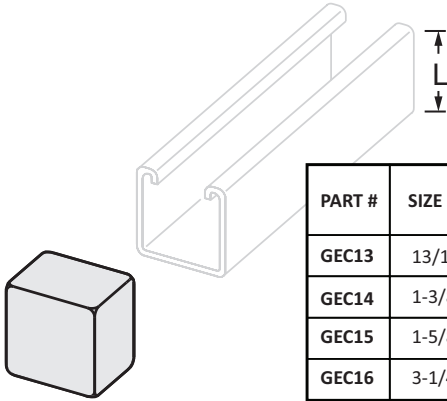


PART #	HEIGHT (H)	STRUT LENGTH	BUNDLE QTY.	LBS./100 FT
G382IN1	1-3/8"	10'	240'	179
G382IN2	1-3/8"	20'	480'	179
G132IN1	13/16"	10'	240'	135
G132IN2	13/16"	20'	480'	135
G582IN1	1-5/8"	10'	240'	199
G582IN2	1-5/8"	20'	480'	199

# END CAPS & CLOSURE STRIPS

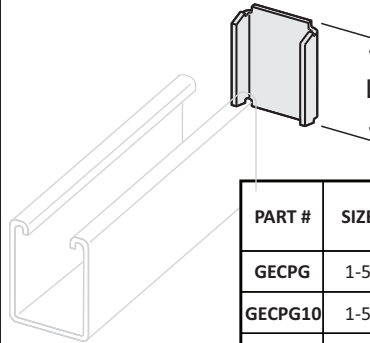
## STRUT SAFETY END CAP

Material: White Color PVC  
\* Consult Factory for Custom Colors \*



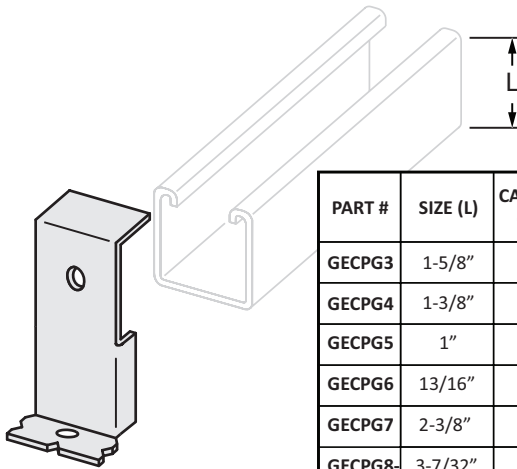
PART #	SIZE (L)	CARTON QTY.	LBS./ 100pcs
GEC13	13/16"	100	2.5
GEC14	1-3/8"	100	2.5
GEC15	1-5/8"	100	4.2
GEC16	3-1/4"	100	7.3

## TYPE A END CAP



PART #	SIZE (L)	CHANNEL GAGE	CARTON QTY.	LBS./ 100pcs
GECPG	1-5/8"	12ga	100	10
GECPG10	1-5/8"	14ga	100	8
GECPG0	1-3/8"	12ga	100	15
GECPG1	2-7/16"	12ga	100	4
GECPG2	13/16"	12ga	100	6
GECPG9	3-1/4"	12ga	100	16

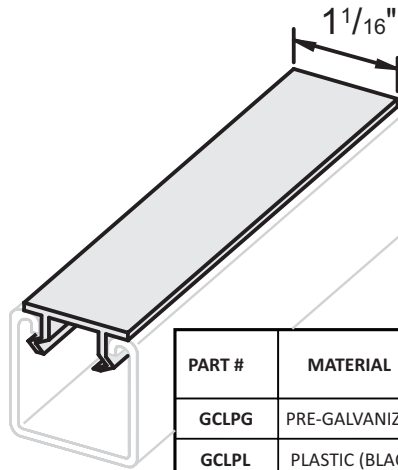
## TYPE B END CAP



PART #	SIZE (L)	CARTON QTY.	LBS./ 100pcs
GECPG3	1-5/8"	100	11
GECPG4	1-3/8"	100	22
GECPG5	1"	100	5
GECPG6	13/16"	100	18
GECPG7	2-3/8"	100	12
GECPG8	3-7/32"	BULK	18

## CLOSURE STRIP

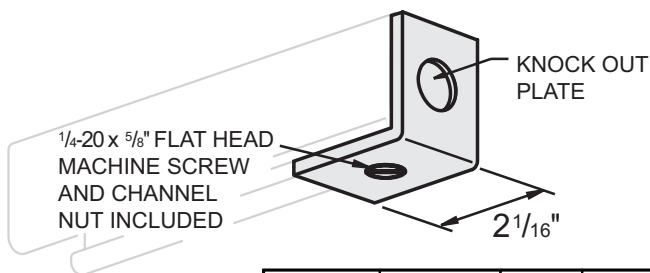
\* Consult Factory for Other Colors & Finishes \*



PART #	MATERIAL	STRUT LENGTH	BUNDLE QTY.	LBS./ 100 FT
GCLPG	PRE-GALVANIZED	10'	500'	450
GCLPL	PLASTIC (BLACK)	10'	500'	48

## RACEWAY END CAP

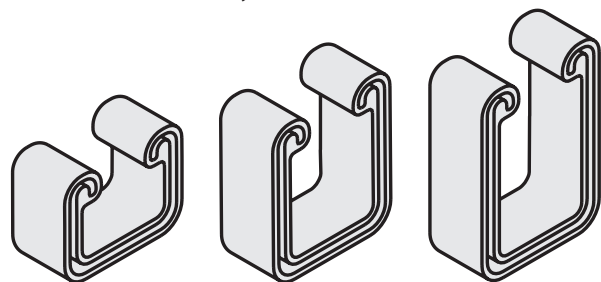
- For 1-5/8" Channel



PART #	KNOCKOUT HOLE	CARTON QTY.	LBS./ 100pcs
G910	1/2"	50	21
G9101	3/4"	50	21

## OPEN SAFETY END CAP

Material: Grey Color PVC  
\* Consult Factory for Custom Colors \*



<b>GOEC17</b> 13/16 CHANNEL 50 PCS/CTN 3.5 LBS/100 PCS	<b>GOEC18</b> 1-5/8 CHANNEL 50 PCS/CTN 4.1 LBS/100 PCS	<b>GOEC19</b> 3-1/4 CHANNEL 50 PCS/CTN 5.6 LBS/100 PCS
---	---	---

STANDARD FINISH : ELECTRO-GALVANIZED FOR METAL ENDCAPS

---

\* FINISH: ELECTRO-GALVANIZED • ALSO AVAILABLE IN STAINLESS STEEL & HOT DIP GALVANIZED \*

## SECTION 6

### G-Strut® Slotted Angle & Pipe Support Systems

**General:**

Slotted Angle Strut is available in three different slot configurations.

**Length:**

Slotted Angle Strut is available in 10' and 12' lengths. Consult factory for custom lengths.

**Finishes:**

Slotted Angle Strut is pre-galvanized.

### G-Strut® Pipe Support Systems

**General:**

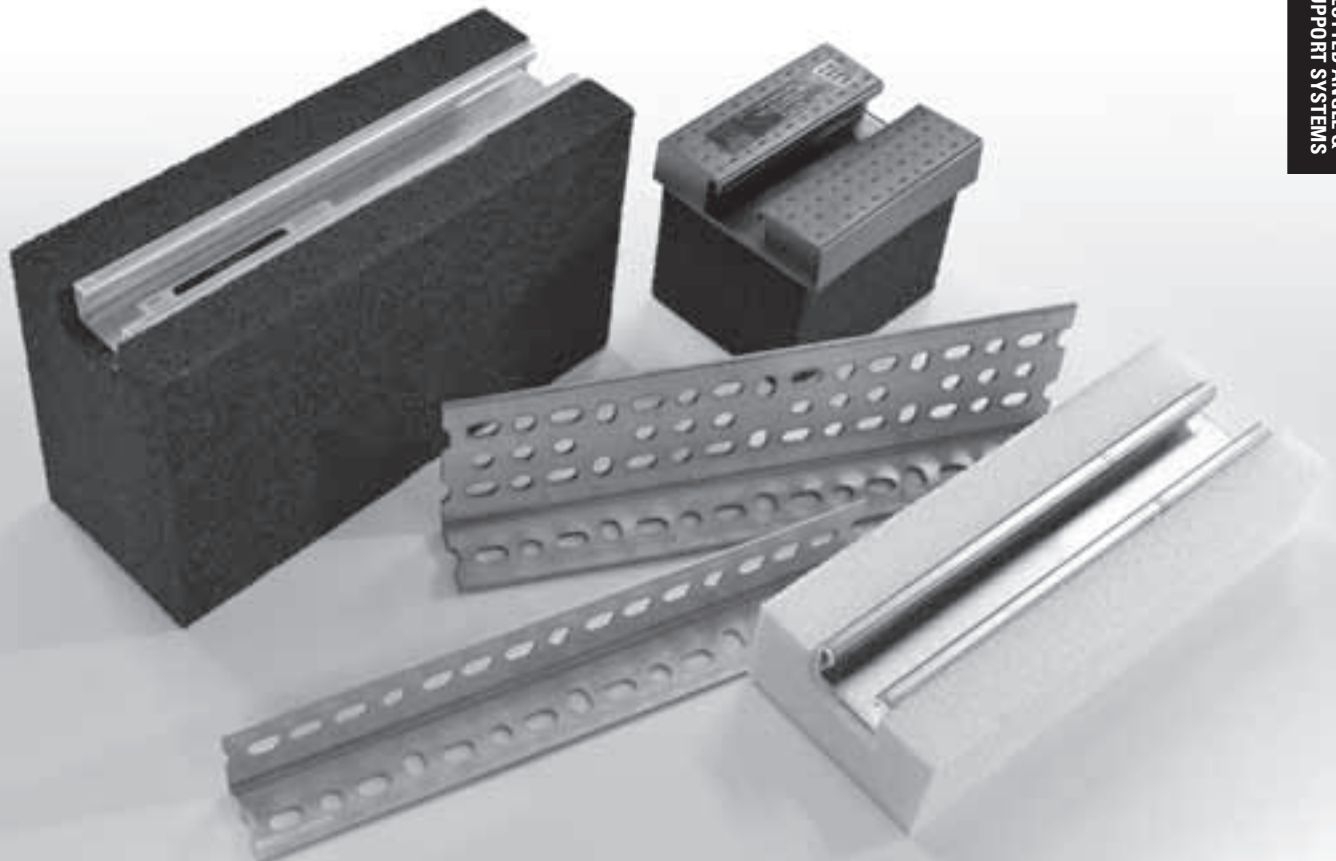
A variety of PIPE PIER products for pipe, conduit, and equipment support.

**Height:**

PIPE PIER products are available in 2", 4" and 6" heights.

**Capacity:**

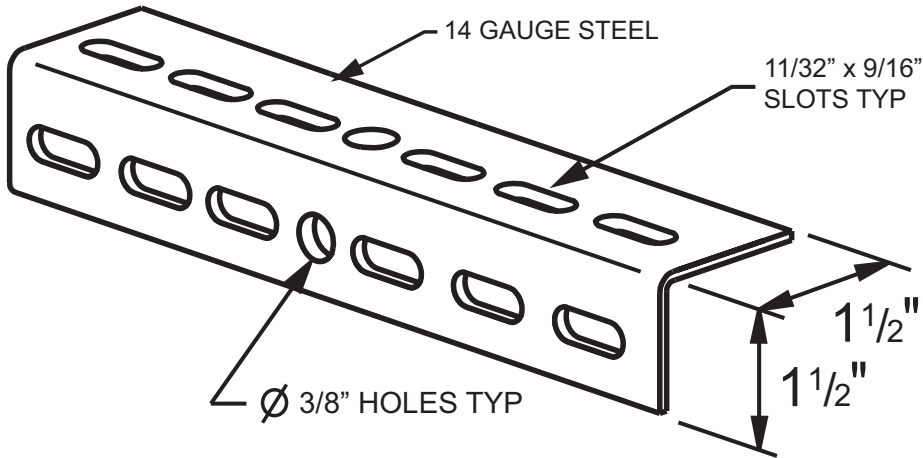
PIPE PIER products are available for 50, 150 and 300 pound capacities.





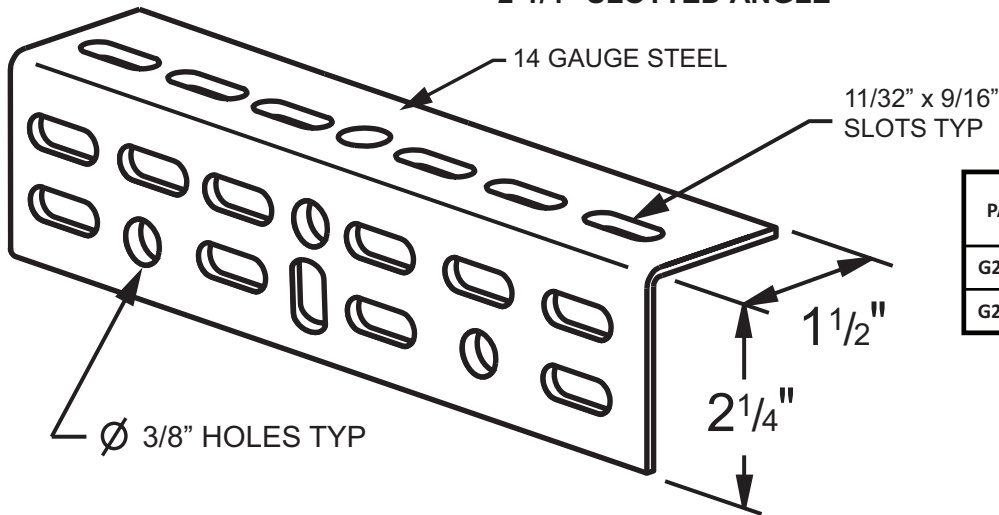
# SLOTTED ANGLE

## 1-1/2" SLOTTED ANGLE



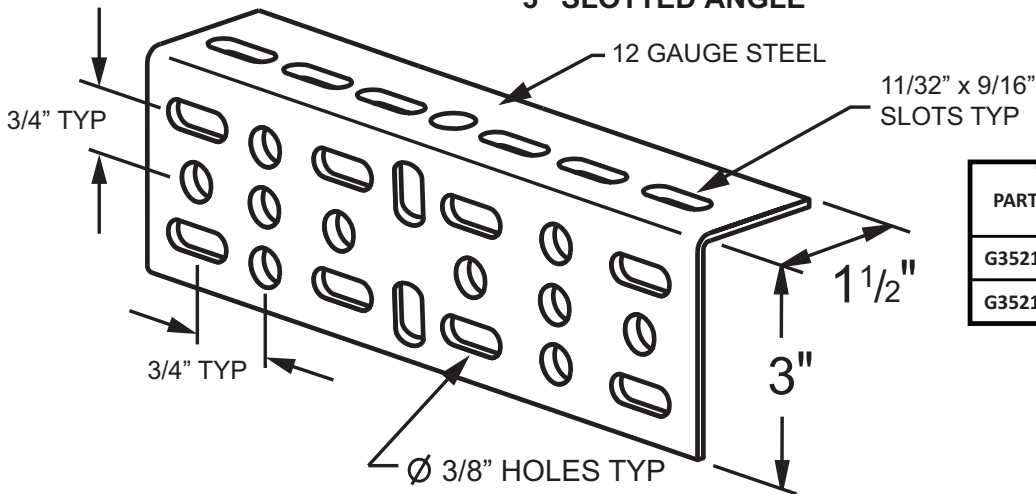
PART #	LENGTH	BUNDLE QTY.	LBS./ 100 FT
G15410GL	10'	100'	80
G15412GL	12'	120'	80

## 2-1/4" SLOTTED ANGLE



PART #	LENGTH	BUNDLE QTY.	LBS./ 100 FT
G25410GL	10'	100'	95
G25412GL	12'	120'	95

## 3" SLOTTED ANGLE



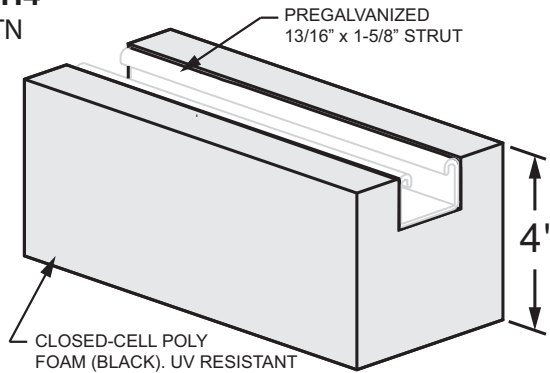
PART #	LENGTH	BUNDLE QTY.	LBS./ 100 FT
G35210GL	10'	100'	135
G35212GL	12'	120'	135

\* PACKAGES CONTAIN 10 LENGTHS OF ANGLE AND 75 NUTS AND BOLTS • CUSTOM LENGTHS AVAILABLE \*

# PIPE SUPPORT SYSTEMS

## PIPE SUPPORT SYSTEM

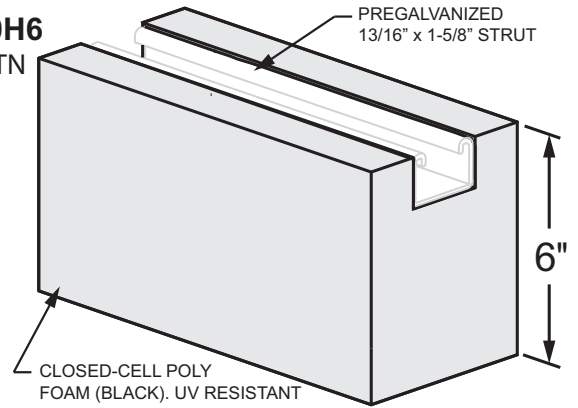
**GPP50H4**  
BULK/CTN



\* Use With Installation of Pipe and Conduit. Max 50lbs Capacity \*

## PIPE SUPPORT SYSTEMS

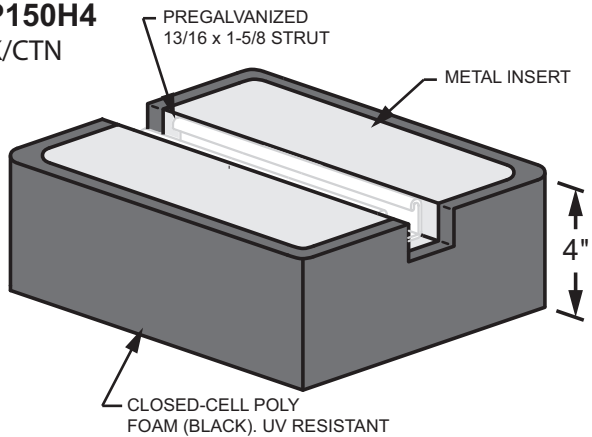
**GPP50H6**  
BULK/CTN



\* Use With Installation of Pipe and Conduit. Max 50lbs Capacity \*

## PIPE SUPPORT SYSTEM

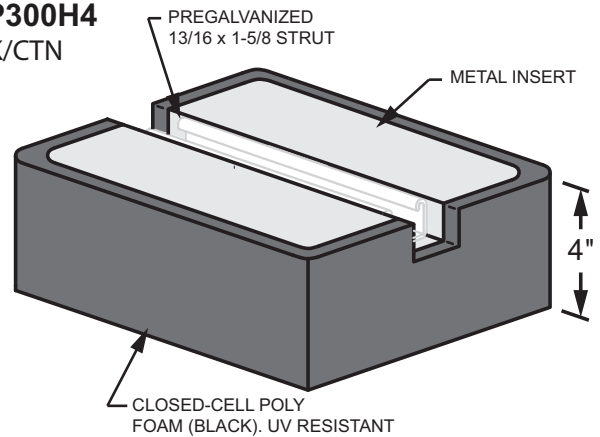
**GPP150H4**  
BULK/CTN



\* Use to Support Pipe, Conduit & Equipment. Max 150lbs Capacity \*

## PIPE SUPPORT SYSTEM

**GPP300H4**  
BULK/CTN

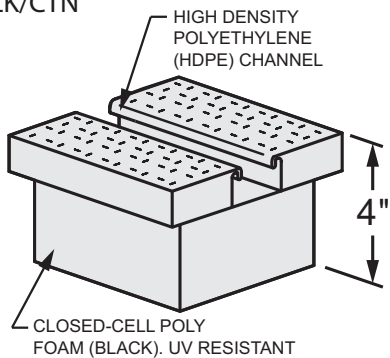


\* Use to Support Pipe, Conduit & Equipment. Max 300lbs Capacity \*

Slotted Angle & Support Systems

## PIPE SUPPORT SYSTEM

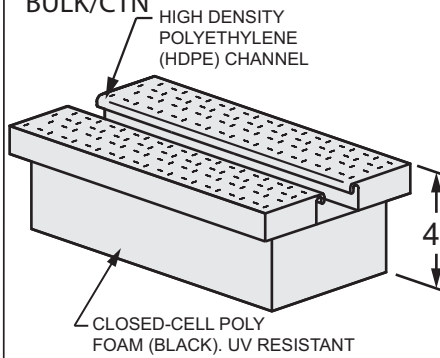
**GPP30ELH4**  
BULK/CTN



\* Use to Installation of Pipe & Conduit.  
Max 50lbs Capacity \*

## PIPE SUPPORT SYSTEM

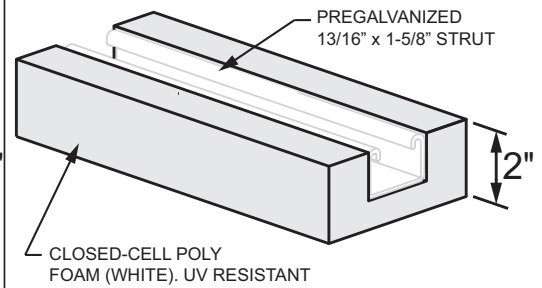
**GPP50ELH4**  
BULK/CTN



\* Use to Installation of Pipe & Conduit.  
Max 50lbs Capacity \*

## PIPE SUPPORT SYSTEM

**GPPPLENUM**  
BULK/CTN



\* Use to Support Pipe Conduit & Cabling Under  
Raised Floors. Max 50lbs Capacity \*



## SECTION 7

### Engineering Data

Mill certification physical/mechanical properties, specification and engineering data for G-STRUT® Channel are as follows:

PRODUCT(S) PROFILE TYPES	AVG. YIELD STRENGTH	AVG. TENSILE STRENGTH	ROCKWELL B (RB VALUE)
ALL 1-5/8 industry standard strut profiles in sizes inclusive from 13/16" through 3-1/4"	42,700	62,600	62 -74

G-STRUT® Metal Framing Channel is interchangeable with industry-standard 1-5/8" strut profiles.

G-STRUT® is cold roll-formed, structural grade (33,000MY, CS Type B), prime carbon steel.

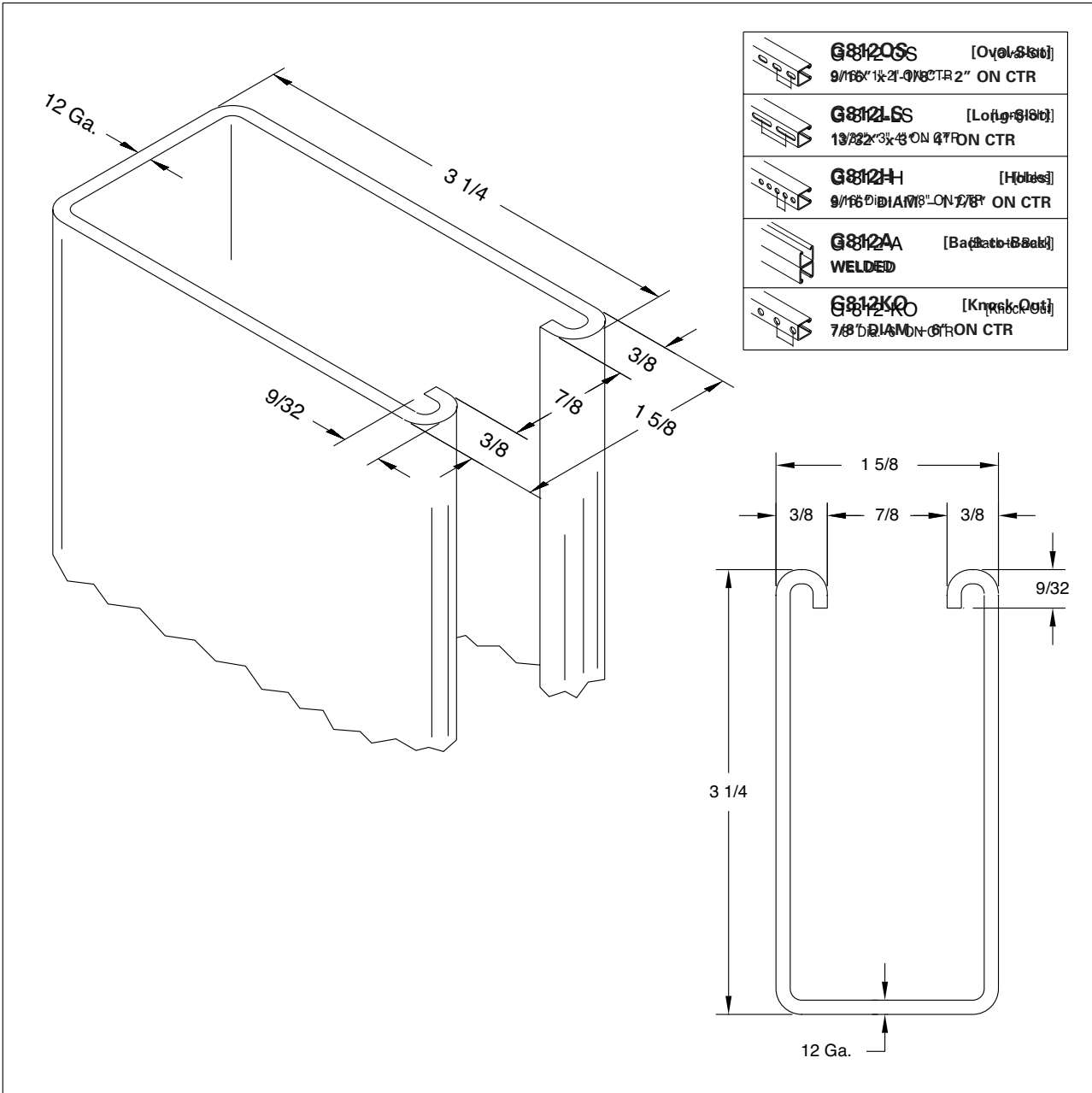
G-STRUT® conforms to ASTM 1011 for hot rolled steel and ASTM 653 for pre-galvanized steel.

Standard finishes include pre-galvanized (G-90 coating weight), painted, galvanized, pickle & oil plain, and hot dip galvanized.

Painted available in polyester urethane powder coat finish or electro deposition cathodic epoxy e-coating.

Engineering/Load factors (see following pages by channel part number)

G-STRUT® Channel is manufactured exclusively in the USA, Canton, Ohio.



ENGINEERING DATA

ITEM	QNT'Y	DESCRIPTION	MATERIAL
		ROLLFORM TOLERANCES	
SCALE FULL		CHK'D BY	LENGTH ± 0.125"
DWN BY IDI 02-02-02		APP'D BY	ALL OTHER DIMENSIONS ± 0.020"
<b>G-STRUT CHANNEL, PART # G812</b>			
CAD FILENAME: <b>G812</b>		<b>GREGORY STRUT PRODUCTS</b> Division of Gregory Industries 4100 13th Street SW; Canton, OH 44710 PH: 330-477-4800 FX: 330-477-0626	
LAST PLOT DATE: 02-02-02			
		REF. No.	<b>G812</b>
		DRWG No.	

**G-STRUT Channel – G812**

1-5/8" x 3-1/4" (1.625" x 3.25")

12 gauge (0.102" thick)

**Elements of Section**

Strut Section	Weight/ Foot lbs.	Area of Section in. <sup>2</sup>	X-X Axis			Y-Y Axis		
			Moment of Inertia in. <sup>4</sup>	Section Modulus in. <sup>3</sup>	Radius of Gyration in.	Moment of Inertia in. <sup>4</sup>	Section Modulus in. <sup>3</sup>	Radius of Gyration in.
G812	3.040	0.894	1.089	0.624	1.104	0.432	0.532	0.695
G812A	6.080	1.788	6.222	1.914	1.865	0.863	1.063	0.695

**Beam & Column Loads**

Strut Section Number	Beam Span or Column Height	Maximum Column Load	Total Uniform Load at 25,000 PSI	Deflection at 25,000 PSI	Uniform Load at 1/240 Span Deflection
	in.	lbs.	lbs.	in.	lbs.
<b>G812</b>	24	11230	5240	0.10	5240
	30	9950	4190	0.13	4190
	36	8840	3490	0.15	3490
	42	6870	3000	0.18	3000
	48	6280	2620	0.20	2620
	60	4400	2100	0.25	2100
	72	3440	1750	0.34	1750
	84	2820	1500	0.36	1460
	96	2420	1310	0.47	1120
	108	2140	1170	0.60	880
<b>G812A</b>	120	1940	1050	0.73	720
	24	30000	6980	0.10	6980
	30	29800	6980	0.13	6980
	36	29300	6980	0.15	6980
	42	28360	6000	0.18	6000
	48	26140	5240	0.20	5240
	60	22000	4200	0.25	4200
	72	18500	4260	0.38	3320
	84	16190	3650	0.40	3230
	96	14690	3200	0.46	2870
108	13660	2840	0.56	2270	
120	12930	2550	0.70	1840	

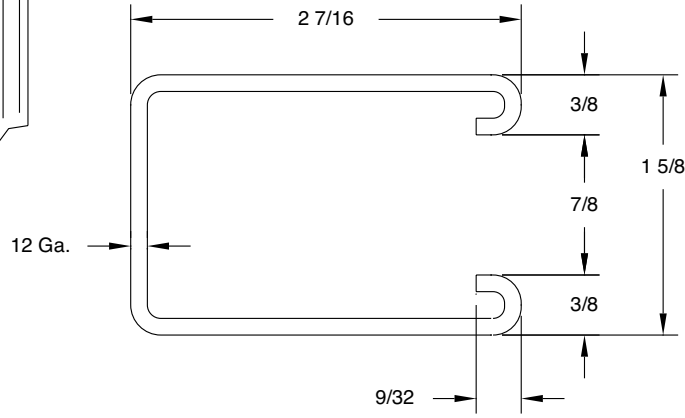
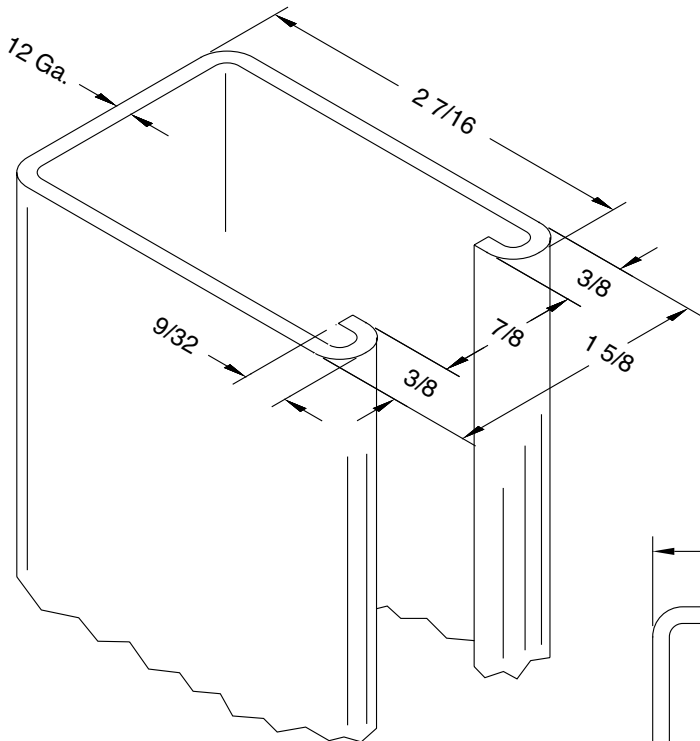
For perforated channels, reduce total beam load values as follows:

G812	OS	20%
G812	LS	33%
G812	H	12%
G812	KO	5%

E = 29000; Fy = 42700; K = 0.8

**BEAM LOADS:** Loads listed are distributed uniformly. For loads concentrated at center of span, multiply uniform load by 0.5 and deflection by 0.8. Where deflection is not a factor, use stress of 25,000 PSI. When deflection is a factor, use deflection of 1/240 span.

**COLUMN LOADS:** Column loads are for allowable axial loads for the unsupported heights listed (including a K value of 0.80). Column loads must be reduced for eccentric loading.



	<b>G712QS</b> [Over Size]
	9/16" DIA. ON TOP 2" ON CTR
	<b>G712LS</b> [Lofted Size]
	13/32" DIA. ON TOP ON CTR
	<b>G712H</b> [Holes]
	9/16" DIA. ON TOP ON CTR
	<b>G712AA</b> [Back to Back]
	WELDED
	<b>G712KQ</b> [Knock Out]
	7/8" DIA. ON TOP ON CTR

ENGINEERING DATA

THIS DRAWING IS THE PROPERTY OF GREGORY STRUT PROD. AND IS LOANED WITHOUT OTHER CONSIDERATION THAN THE AGREEMENT AND CONDITION THAT IT IS NOT TO BE REPRODUCED, COPIED OR OTHERWISE DISPOSED OF DIRECTLY OR INDIRECTLY, AND IS NOT TO BE USED IN WHOLE OR IN PART TO ASSIST IN MAKING OR TO FURNISH INFORMATION FOR THE MAKING OF DRAWINGS, PRINTS, APPARATUS OR PARTS. HEREON THIS DRAWING SHALL BE RETURNED TO GREGORY STRUT PROD. UPON REQUEST. THE ACCEPTANCE OF THIS DRAWING WILL BE CONSIDERED AS AN ACCEPTANCE OF THE ACCURACY AND COMPLETENESS OF THE INFORMATION CONTAINED THEREIN AND TO THE DRAWING OF GREGORY STRUT PRODUCTS.

ITEM	QNT'Y	DESCRIPTION		MATERIAL
				ROLLFORM TOLERANCES
SCALE	FULL	CHK'D BY	LENGTH ± 0.125"	
DWN BY	IDI	02-02-02	APP'D BY	ALL OTHER DIMENSIONS ± 0.020"
<b>G-STRUT CHANNEL, PART # G7112</b>				
CAD FILENAME: <b>G7112</b>		<b>GREGORY STRUT PRODUCTS</b> Division of Gregory Industries 4100 13th Street SW; Canton, OH 44710 PH: 330-477-4800 FX: 330-477-0626		REF. No.
LAST PLOT DATE: 02-02-02				DRWG No. <b>G7112</b>



**G-STRUT Channel – G712**

1-5/8" x 2-7/16" (1.625" x 2.4375")

12 gauge (0.102" thick)

**Elements of Section**

Strut Section	Weight/ Foot lbs.	Area of Section in. <sup>2</sup>	X-X AXIS			Y-Y AXIS		
			Moment of Inertia in. <sup>4</sup>	Section Modulus in. <sup>3</sup>	Radius of Gyration in.	Moment of Inertia in. <sup>4</sup>	Section Modulus in. <sup>3</sup>	Radius of Gyration in.
G712	2.392	0.703	0.503	0.376	0.846	0.326	0.401	0.681
G712A	4.920	1.447	2.801	1.149	1.392	0.666	0.820	0.679

**Beam & Column Loads**

Strut Section Number	Beam Span or Column Height	Maximum Column Load	Total Uniform Load at 25,000 PSI	Deflection at 25,000 PSI	Uniform Load at 1/240 Span Deflection
	in.	lbs.	lbs.	in.	lbs.
<b>G712</b>	12	15280	6260	0.01	-
	18	15010	4170	0.02	-
	24	14710	3130	0.03	-
	30	14370	2500	0.06	-
	36	14010	2080	0.08	-
	42	13620	1790	0.11	-
	48	13200	1560	0.15	-
	54	12760	1390	0.19	-
	60	12290	1250	0.24	-
	66	11800	1130	0.28	1070
	72	11290	1040	0.34	900
	84	6330	890	0.47	660
<b>G712A</b>	96	9000	780	0.61	500
	108	7700	690	0.77	400
	120	6330	620	0.95	320
	24	28400	4600	0.10	4600
	30	27000	4600	0.13	4600
	36	25580	4340	0.15	4340
	42	24230	3720	0.18	3720
	48	22980	3260	0.20	3260
	60	20840	3230	0.25	3230
	72	19180	3220	0.34	3230
	84	17910	2760	0.30	3230
	96	16930	2420	0.34	2870
108	13570	2150	0.43	2270	
120	10990	1930	0.53	1840	

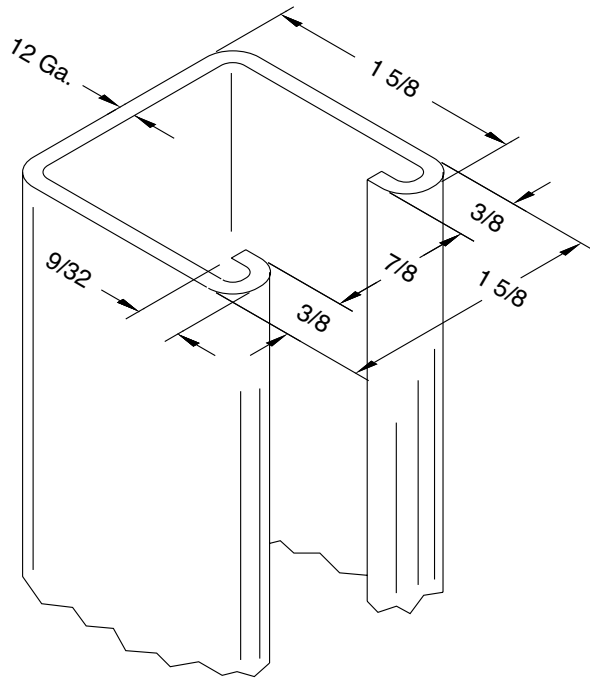
For perforated channels, reduce total beam load values as follows:

G712	OS	20%
G712	LS	33%
G712	H	12%
G712	KO	5%

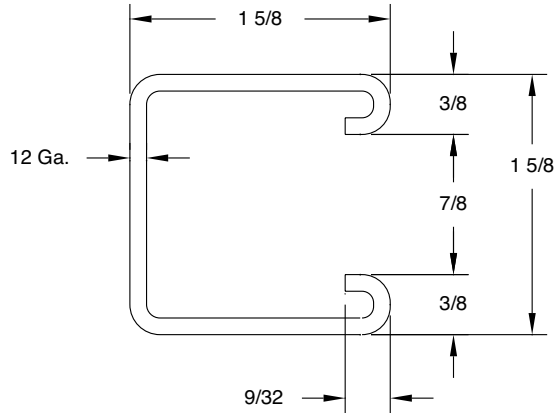
E = 29000; F<sub>y</sub> = 42700; K = 0.8

**BEAM LOADS:** Loads listed are distributed uniformly. For loads concentrated at center of span, multiply uniform load by 0.5 and deflection by 0.8. Where deflection is not a factor, use stress of 25,000 PSI. When deflection is a factor, use deflection of 1/240 span.

**COLUMN LOADS:** Column loads are for allowable axial loads for the unsupported heights listed (including a K value of 0.80). Column loads must be reduced for eccentric loading.



	<b>G582CS</b> [Over Size]
	9/16" DIA. ON CTR
	<b>G582LS</b> [Long Side]
	13/32" x 3" ON QTR ON CTR
	<b>G582H</b> [Holes]
	9/16" DIA. ON 7/8" ON CTR
	<b>G582AA</b> [Back to Back]
	WELDED
	<b>G582KO</b> [Knock Out]
	7/8" DIA. ON CTR



THIS DRAWING IS THE PROPERTY OF GREGORY STRUT PROD. AND IS LOANED WITHOUT OTHER CONSIDERATION THAN THE AGREEMENT AND CONDITION THAT IT IS NOT TO BE REPRODUCED OR OTHERWISE DISPOSED OF DIRECTLY OR INDIRECTLY AND IS NOT TO BE USED IN WHOLE OR IN PART TO ASSIST IN MAKING OF OTHER PRODUCTS. ANY REPRODUCTION OR USE OF THIS DRAWING FOR OTHER THAN THE PURPOSES FOR WHICH IT WAS ISSUED SHALL BE AT THE USER'S SOLE RISK. REQUEST THE ACCEPTANCE OF THIS DRAWING WILL BE CONSIDERED AS AN ACCEPTANCE OF THE FOREGOING CONDITIONS AND AS AN ADMISSION OF THE EXCLUSIVE OWNERSHIP IN AND TO THE DRAWING OF GREGORY STRUT PRODUCTS.

ITEM	QNT'Y	DESCRIPTION	MATERIAL
		ROLLFORM TOLERANCES	
SCALE	FULL	CHK'D BY	LENGTH ± 0.125"
DWN BY	IDI 02-02-02	APP'D BY	ALL OTHER DIMENSIONS ± 0.020"

### G-STRUT CHANNEL, PART # **G582**

CAD FILENAME: <b>G582</b> LAST PLOT DATE: 02-02-02	<b>GREGORY STRUT PRODUCTS</b> Division of Gregory Industries 4100 13th Street SW; Canton, OH 44710 PH: 330-477-4800 FX: 330-477-0626	REF. No. DRWG No.  <b>G582</b>
---	---	---

ENGINEERING DATA

**G-STRUT Channel – G582**

1-5/8" x 1-5/8" (1.625" x 1.625")

12 gauge (0.102" thick)

**Elements of Section**

Strut Section No.	Weight/ Foot lbs.	Area of Section in. <sup>2</sup>	X-X Axis			Y-Y Axis		
			Moment of Inertia in. <sup>4</sup>	Section Modulus in. <sup>3</sup>	Radius of Gyration in.	Moment of Inertia in. <sup>4</sup>	Section Modulus in. <sup>3</sup>	Radius of Gyration in.
G582	1.827	0.537	0.178	0.194	0.576	0.230	0.283	0.654
G582-A	3.760	1.105	0.925	0.569	0.915	0.469	0.577	0.651

**Beam & Column Loads**

Strut Section Number	Beam Span or Column Height	Maximum Column Load	Total Uniform Load at 25,000 PSI	Deflection at 25,000 PSI	Uniform Load at 1/240 Span Deflection
	in.	lbs.	lbs.	in.	lbs.
<b>G582</b>	12	10960	3230	0.01	-
	18	10630	2150	0.03	-
	24	10250	1610	0.05	-
	30	9830	1290	0.08	-
	36	9370	1070	0.12	-
	42	8870	920	0.17	-
	48	8330	800	0.22	710
	54	7750	710	0.28	560
	60	7140	640	0.34	450
	66	6490	580	0.42	370
	72	5790	530	0.49	310
	84	4360	460	0.68	230
<b>G582A</b>	96	3340	400	0.89	170
	108	2640	350	1.11	140
	120	2140	320	1.39	110
	24	21880	3360	0.10	3360
	30	21100	2680	0.13	3360
	36	20400	2240	0.15	3360
	42	19810	2170	0.18	2170
	48	19320	2170	0.20	2170
	60	18590	1920	0.25	1920
	72	17590	1600	0.34	1690
	84	14970	1370	0.46	1240
	96	12080	1200	0.60	950
108	9540	1070	0.75	750	
120	7730	960	0.93	610	

For perforated channels, reduce total beam load values as follows:

G582	OS	21%
G582	LS	34%
G582	H	13%
G582	KO	5%

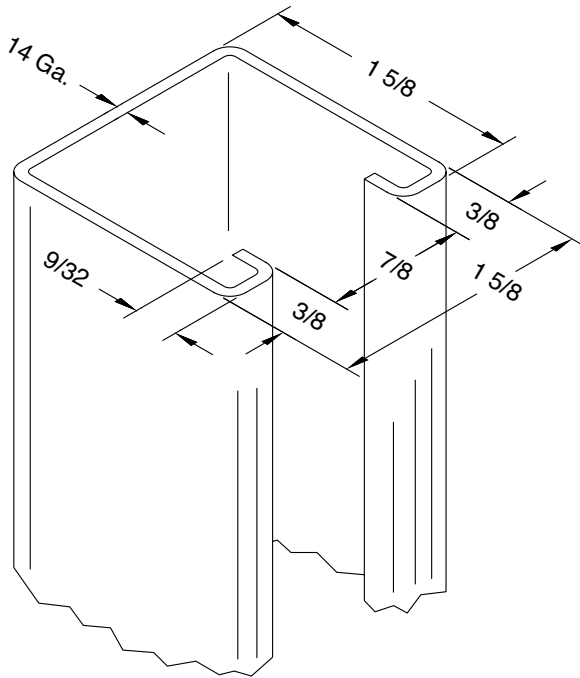
E = 29000; Fy = 42700; K = 0.8

**BEAM LOADS:** Loads listed are distributed uniformly. For loads concentrated at center of span, multiply uniform load by 0.5 and deflection by 0.8. Where deflection is not a factor, use stress of 25,000 PSI. When deflection is a factor, use deflection of 1/240 span.

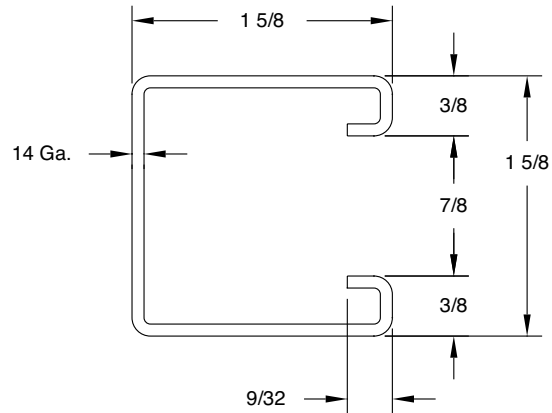
**COLUMN LOADS:** Column loads are for allowable axial loads for the unsupported heights listed (including a K value of 0.80). Column loads must be reduced for eccentric loading.

# G-STRUT®

## Section 7



	<b>G584OS</b> [Oval Slot]	9/16" DIA ON TR 2" ON CTR
	<b>G584LS</b> [Lip Slot]	13/32" x 1/4" ON TR ON CTR
	<b>G584H</b> [Holes]	9/16" DIA ON TR 1/8" ON CTR
	<b>G584A</b> [Back to Back]	WELDED
	<b>G584K</b> [Knock Out]	7/8" DIA ON CTR ON CTR



THIS DRAWING IS THE PROPERTY OF GREGORY STRUT PROD. AND IS LOANED TO YOU FOR YOUR INFORMATION ONLY. IT IS NOT TO BE REPRODUCED, COPIED, OR TRANSMITTED IN ANY FORM OR BY ANY MEANS, ELECTRONIC OR MECHANICAL, INCLUDING PHOTOCOPYING, RECORDING, OR BY ANY INFORMATION STORAGE AND RETRIEVAL SYSTEM, WITHOUT THE EXPRESS WRITTEN PERMISSION OF GREGORY STRUT PRODUCTS. ANY UNAUTHORIZED USE OF THIS DRAWING IS PROHIBITED. GREGORY STRUT PRODUCTS SHALL NOT BE LIABLE FOR ANY DAMAGES, INCLUDING CONSEQUENTIAL DAMAGES, ARISING FROM THE USE OF THIS DRAWING. THE ACCEPTANCE OF THIS DRAWING SHALL BE CONSIDERED AS AN ACCEPTANCE OF THE FOREGOING CONDITIONS AND AN ADMISSION OF THE EXCLUSIVE OWNERSHIP IN AND TO THE DRAWING OF GREGORY STRUT PRODUCTS.	ITEM	QNT'Y	DESCRIPTION		MATERIAL	
				ROLLFORM TOLERANCES		
	SCALE	FULL		CHK'D BY	LENGTH ± 0.125	
	DWN BY	IDI	02-02-02	APP'D BY	ALL OTHER DIMENSIONS ± 0.020"	
	<b>G-STRUT CHANNEL, PART # G584</b>					
CAD FILENAME: <b>G584</b>			<b>GREGORY STRUT PRODUCTS</b> Division of Gregory Industries 4100 13th Street SW; Canton, OH 44710 PH: 330-477-4800 FX: 330-477-0626		REF. No.	
LAST PLOT DATE: 02-02-02					DRWG No.	<b>G584</b>

ENGINEERING DATA

**G-STRUT Channel – G584**

1-5/8" x 1-5/8" (1.625" x 1.625")

14 gauge (0.077" thick)

**Elements of Section**

Strut Section No.	Weight/ Foot lbs.	Area of Section in. <sup>2</sup>	X-X Axis			Y-Y Axis		
			Moment of Inertia in. <sup>4</sup>	Section Modulus in. <sup>3</sup>	Radius of Gyration in.	Moment of Inertia in. <sup>4</sup>	Section Modulus in. <sup>3</sup>	Radius of Gyration in.
G584	1.429	0.42	0.146	0.16	0.59	0.184	0.226	0.662
G584A	2.800	0.824	0.722	0.444	0.936	0.361	0.444	0.661

**Beam & Column Loads**

Strut Section Number	Beam Span or Column Height	Maximum Column Load	Total Uniform Load at 25,000 PSI	Deflection at 25,000 PSI	Uniform Load at 1/240 Span Deflection
	in.	lbs.	lbs.	in.	lbs.
<b>G584</b>	12	8630	2660	0.01	-
	18	8370	1770	0.03	-
	24	8090	1330	0.05	-
	30	7760	1060	0.08	-
	36	7410	880	0.12	-
	42	7030	760	0.17	-
	48	6620	660	0.22	580
	54	6190	590	0.28	460
	60	5720	530	0.35	370
	66	5230	480	0.42	310
	72	4710	440	0.5	260
	84	3590	380	0.69	190
<b>G584A</b>	96	2750	330	0.89	140
	108	2170	290	1.12	110
	120	1760	260	1.38	90
	24	16250	2700	0.10	2700
	30	15350	2160	0.13	2160
	36	14640	1800	0.15	1800
	42	13850	1540	0.18	1540
	48	13100	1360	0.20	1360
	60	11800	1250	0.25	1250
	72	10770	1250	0.34	1250
	84	9880	1070	0.39	970
	96	8090	940	0.51	740
108	6390	830	0.63	590	
120	5170	750	0.80	470	

For perforated channels, reduce total beam load values as follows:

G584	OS	21%
G584	LS	34%
G584	H	13%
G584	KO	5%

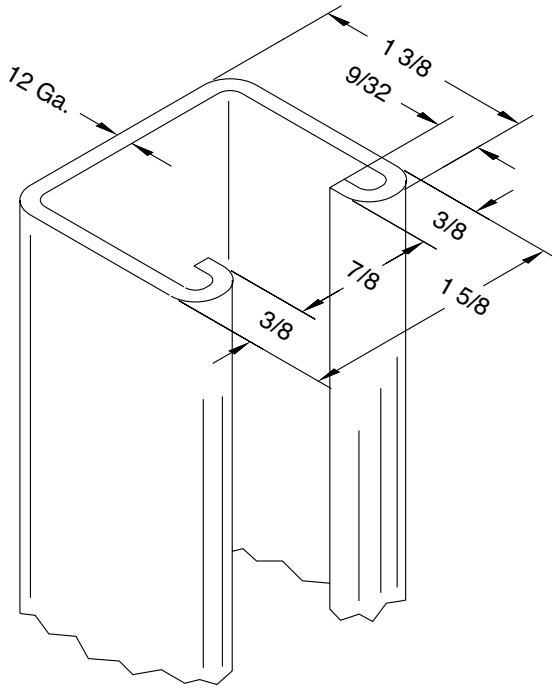
E = 29000; F<sub>y</sub> = 42700; K = 0.8

**BEAM LOADS:** Loads listed are distributed uniformly. For loads concentrated at center of span, multiply uniform load by 0.5 and deflection by 0.8. Where deflection is not a factor, use stress of 25,000 PSI. When deflection is a factor, use deflection of 1/240 span.

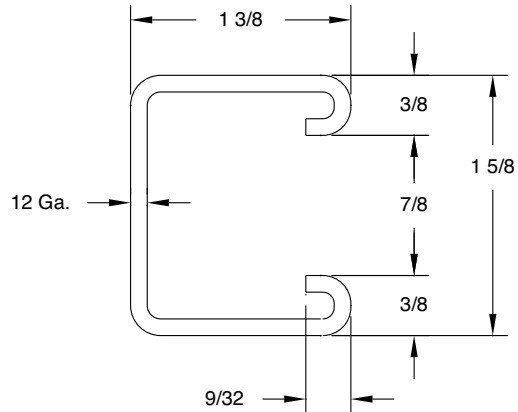
**COLUMN LOADS:** Column loads are for allowable axial loads for the unsupported heights listed (including a K value of 0.80). Column loads must be reduced for eccentric loading.

# G-STRUT®

## Section 7



	<b>G382CS</b> [Oval Slot]
	9/16" x 2 1/8" x 9/16" TB 2" ON CTR
	<b>G382LS</b> [Ledge Slot]
	13/32" x 3 1/8" ON CTR
	<b>G382H</b> [Holes]
	9/16" DIAM. ON 9/8" ON CTR
	<b>G382A</b> [Back-to-Back]
	WELDED
	<b>G382KO</b> [Knock Out]
	7/8" DIAM. ON CTR



THIS DRAWING IS THE PROPERTY OF GREGORY STRUT PROD. AND IS LOANED WITHOUT OTHER CONSIDERATION. THE AGREEMENT AND CONDITION THAT IT IS NOT TO BE REPRODUCED OR OTHERWISE DISPOSED OF DIRECT OR INDIRECTLY WITHOUT THE WRITTEN PERMISSION OF GREGORY STRUT PRODUCTS. ANY REPRODUCTION FOR THE MAKING OF DRAWINGS, PRINTS, APPROPRIATE PARTS THEREOF THIS DRAWING SHALL BE RETURNED TO GREGORY STRUT PROD. UPON REQUEST. THE ACCEPTANCE OF THIS DRAWING WILL BE CONSTRUED AS AN ACCEPTANCE OF THE FOREGOING CONDITIONS AND AS AN ADMISION OF THE EXCLUSIVE OWNERSHIP IN AND TO THE DRAWING OF GREGORY STRUT PRODUCTS.

ITEM	QNT'Y	DESCRIPTION	MATERIAL
		ROLLFORM TOLERANCES	
SCALE FULL		CHK'D BY	LENGTH ± 0.125"
DWN BY	IDI	02-02-02	APP'D BY
G-STRUT CHANNEL, PART # <b>G382</b>			
CAD FILENAME: <b>G382</b>		<b>GREGORY STRUT PRODUCTS</b> Division of Gregory Industries 4100 13th Street SW; Canton, OH 44710 PH: 330-477-4800 FX: 330-477-0626	
LAST PLOT DATE: 02-02-02			

ENGINEERING DATA

**G-STRUT Channel – G382**

1-5/8" x 1-3/8" (1.625" x 1.375")

12 gauge (0.102" thick)

**Elements of Section**

Strut Section	Weight/ Foot lbs.	Area of Section in. <sup>2</sup>	X-X Axis			Y-Y Axis		
			Moment of Inertia in. <sup>4</sup>	Section Modulus in. <sup>3</sup>	Radius of Gyration in.	Moment of Inertia in. <sup>4</sup>	Section Modulus in. <sup>3</sup>	Radius of Gyration in.
G382	1.654	0.486	0.116	0.147	0.489	0.2	0.246	0.642
G382A	-	-	-	-	-	-	-	-

**Beam & Column Loads**

Strut Section Number	Beam Span or Column Inches	Maximum Column Load	Total Uniform Load at 25,000 PSI	Deflection at 25,000 PSI	Uniform Load at 1/240 Span Deflection
	in.	lbs.	lbs.	in.	lbs.
<b>G382</b>	12	9620	2450	0.01	-
	18	9250	1630	0.03	-
	24	8820	1220	0.06	-
	30	8340	980	0.10	-
	36	7820	810	0.14	-
	42	7250	700	0.20	610
	48	6630	610	0.26	460
	54	5970	540	0.32	360
	60	5260	490	0.40	290
	66	4490	440	0.48	240
	72	3780	400	0.57	200
	84	1680	350	0.80	150
<b>G382A</b>	96	2120	300	1.02	110
	108	1680	270	1.31	90
	120	1680	240	1.60	70
	24	19860	2250	0.10	2250
	30	19260	2250	0.13	2250
	36	18760	1830	0.15	1830
	42	18350	1830	0.18	1830
	48	18030	1800	0.20	1800
	60	17550	1440	0.30	1440
	72	15670	1200	0.34	1070
	84	13220	1030	0.46	790
	96	10530	900	0.60	600
108	8320	800	0.75	480	
120	6740	720	0.93	390	

For perforated channels, reduce total beam load values as follows:

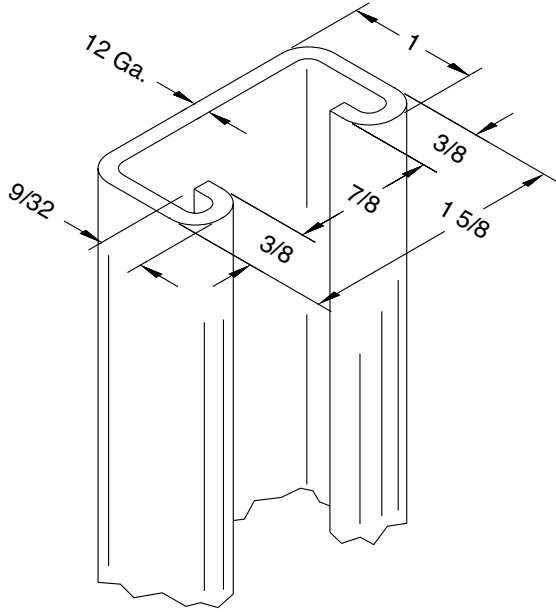
G382	OS	21%
G382	LS	34%
G382	H	13%
G382	KO	6%

E = 29000; Fy = 42700; K = 0.8

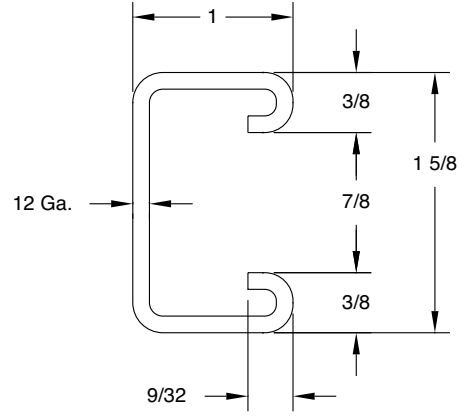
**BEAM LOADS:** Loads listed are distributed uniformly. For loads concentrated at center of span, multiply uniform load by 0.5 and deflection by 0.8. Where deflection is not a factor, use stress of 25,000 PSI. When deflection is a factor, use deflection of 1/240 span.

**COLUMN LOADS:** Column loads are for allowable axial loads for the unsupported heights listed (including a K value of 0.80). Column loads must be reduced for eccentric loading.





	<b>G-102OS</b> [Open Slot] 9/16" x 21 GMS TR 2" ON CTR
	<b>G-102LS</b> [Ledge Slot] 13/32" x 43 ON QTR ON CTR
	<b>G-102H</b> [Holes] 9/16" DIAM 1" ON 278" ON CTR
	<b>G-102A</b> [Back to Back] WELDED
	<b>G-102KO</b> [Knock Out] 7/8" DIAM ON CTR ON CTR



ENGINEERING DATA

THIS DRAWING IS THE PROPERTY OF GREGORY FENCE PROD. AND IS LOANED WITHOUT OTHER CONSIDERATION THAT THE AGREEMENT AND CONDITION THAT IT IS NOT TO BE REPRODUCED OR OTHERWISE DISPOSED OF DIRECTLY OR INDIRECTLY, AND NOT TO BE USED IN WHOLE OR IN PART TO ASSIST IN MAKING UP TO COPS. ALL RIGHTS ARE RESERVED. THIS DRAWING SHALL BE RETURNED TO GREGORY FENCE PROD. UPON REQUEST. THE ACCEPTANCE OF THIS DRAWING WILL BE CONSIDERED AS AN ACCEPTANCE OF THE FOREGOING CONDITIONS AND AS AN ADMISSION OF THE EXCLUSIVE OWNERSHIP IN AND TO THE DRAWING OF GREGORY FENCE PRODUCTS.	ITEM	QNT'Y	DESCRIPTION		MATERIAL	
					ROLLFORM TOLERANCES	
	SCALE		FULL	CHK'D BY		LENGTH ± 0.125" ALL OTHER DIMENSIONS ± 0.020"
	DWN BY		IDI	02-02-02	APP'D BY	
	<b>G-STRUT CHANNEL, PART # G1002</b>					
CAD FILENAME: <b>G1002</b> LAST PLOT DATE: 02-02-02			<b>GREGORY STRUT PRODUCTS</b> Division of Gregory Industries 4100 13th Street SW; Canton, OH 44710 PH: 330-477-4800 FX: 330-477-0626		REF. No. DRWG No. <p style="text-align: center; font-size: 1.2em;"><b>G1002</b></p>	

**G-STRUT Channel – G102**

1-5/8" x 1" (1.625" x 1.00")

12 gauge (0.102" thick)

**Elements of Section**

Strut Section	Weight/ Foot lbs.	Area of Section in. <sup>2</sup>	X-X Axis			Y-Y Axis		
			Moment of Inertia in. <sup>4</sup>	Section Modulus in. <sup>3</sup>	Radius of Gyration in.	Moment of Inertia in. <sup>4</sup>	Section Modulus in. <sup>3</sup>	Radius of Gyration in.
G102	1.395	0.41	0.051	0.087	0.353	0.156	0.192	0.617
G102A	2.860	0.843	0.250	0.250	0.545	0.317	0.390	0.613

**Beam & Column Loads**

Strut Section Number	Beam Span or Column Height	Maximum Column Load	Total Uniform Load at 25,000 PSI	Deflection at 25,000 PSI	Uniform Load at 1/240 Span Deflection
	in.	lbs.	lbs.	in.	lbs.
<b>G102</b>	12	7530	1450	0.02	-
	18	7060	960	0.04	-
	24	6520	720	0.08	-
	30	5910	580	0.13	520
	36	5220	480	0.19	360
	42	4460	410	0.26	260
	48	3630	360	0.35	200
	54	2870	320	0.44	160
	60	2320	290	0.55	130
	66	1920	260	0.65	100
	72	1610	240	0.78	90
	84	1380	200	1.04	60
<b>G102A</b>	96	0	180	1.4	50
	108	0	160	1.77	40
	120	0	140	2.12	30
	24	16780	1500	0.10	1500
	30	16450	1309	0.13	1309
	36	16200	1309	0.15	1309
	42	15950	1200	0.18	1200
	48	15170	1050	0.20	1025
	60	13300	840	0.35	600
	72	11030	700	0.46	455
	84	8410	600	0.63	335
	96	6440	525	0.82	255
108	5090	470	1.06	200	
120	4120	420	1.28	165	

For perforated channels, reduce total beam load values as follows:

G102	OS	22%
G102	LS	35%
G102	H	13%
G102	KO	6%

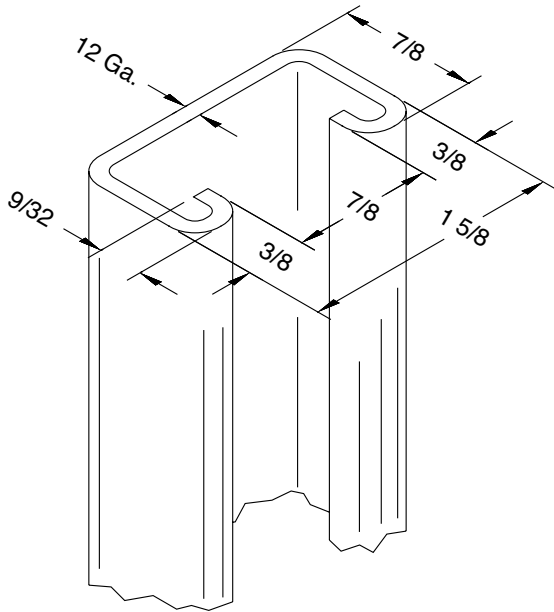
E = 29000; Fy = 42700; K = 0.8

**BEAM LOADS:** Loads listed are distributed uniformly. For loads concentrated at center of span, multiply uniform load by 0.5 and deflection by 0.8. Where deflection is not a factor, use stress of 25,000 PSI. When deflection is a factor, use deflection of 1/240 span.

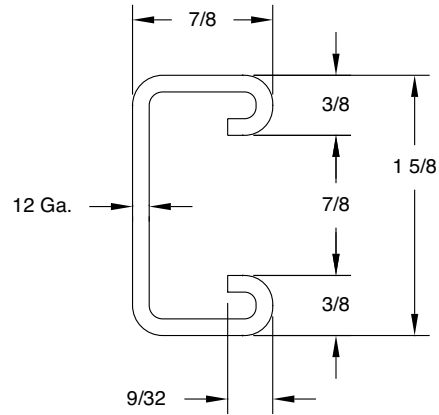
**COLUMN LOADS:** Column loads are for allowable axial loads for the unsupported heights listed (including a K value of 0.80). Column loads must be reduced for eccentric loading.

# G-STRUT®

## Section 7



	<b>G7822OS</b> [Oval Slot]
	<b>G7822LS</b> [Long Slot]
	<b>G7822-H</b> [Holes]
	<b>G7822-A</b> [Back Back]
	<b>G7822-KO</b> [Knock Out]



THIS DRAWING IS THE PROPERTY OF GREGORY STRUT PROD. AND IS LOANED WITHOUT OTHER CONSIDERATION THAN THE AGREEMENT AND CONDITION THAT IT IS NOT TO BE REPRODUCED, COPIED, OR OTHERWISE DISPOSED OF DIRECTLY OR INDIRECTLY, AND IS NOT TO BE USED IN WHOLE OR IN PART TO ASSIST IN MAKING OR TO FURNISH ANY INFORMATION FOR THE MAKING OF DRAWINGS, PRINTS, APPARATUS OR PARTS THEREOF. THIS DRAWING SHALL BE RETURNED TO GREGORY STRUT PROD. UPON REQUEST. THE ACCEPTANCE OF THIS DRAWING WILL BE CONSIDERED AS AN ACCEPTANCE OF THE TERMS AND CONDITIONS OF THE LICENSE AND OWNERSHIP IN HAND TO THE DRAWING OF GREGORY STRUT PRODUCTS.

ITEM	QNT'Y	DESCRIPTION	MATERIAL
		<b>ROLLFORM TOLERANCES</b>	
SCALE FULL		CHK'D BY	LENGTH ± 0.125"
DWN BY IDI 02-02-02		APP'D BY	ALL OTHER DIMENSIONS ± 0.020"
<b>G-STRUT CHANNEL, PART #G7822</b>			
CAD FILENAME: <b>G7822</b>		<b>GREGORY STRUT PRODUCTS</b> Division of Gregory Industries 4100 13th Street SW; Canton, OH 44710 PH: 330-477-4800 FX: 330-477-0626	REF. No. DRWG No.
LAST PLOT DATE: 02-02-02			<b>G7822</b>

ENGINEERING DATA

**G-STRUT Channel – G782**

1-5/8" x 7/8" (1.625" x 0.875")

12 gauge (0.102" thick)

**Elements of Section**

Strut Section	Weight/ Foot lbs.	Area of Section in. <sup>2</sup>	X-X Axis			Y-Y Axis		
			Moment of Inertia in. <sup>4</sup>	Section Modulus in. <sup>3</sup>	Radius of Gyration in.	Moment of Inertia in. <sup>4</sup>	Section Modulus in. <sup>3</sup>	Radius of Gyration in.
G782	1.350	0.400	0.037	0.073	0.305	0.146	0.180	0.603
G782A	2.700	0.800	0.183	0.208	0.475	0.294	0.361	0.603

**Beam & Column Loads**

Strut Section Number	Beam Span or Column Height	Maximum Column Load	Total Uniform Load at 25,000 PSI	Deflection at 25,000 PSI	Uniform Load at 1/240 Span Deflection
	in.	lbs.	lbs.	in.	lbs.
<b>G782</b>	24	7500	630	0.10	630
	30	6800	495	0.18	360
	36	6000	420	0.22	290
	42	5000	360	0.29	225
	48	3900	315	0.38	165
	60	2500	250	0.57	110
	72	1700	210	0.84	75
	84	0	180	1.05	60
	96	0	155	1.38	45
	108	0	140	1.80	35
<b>G782A</b>	120	0	125	2.50	25
	24	16500	1300	0.10	1300
	30	16000	1300	0.13	1300
	36	15250	1155	0.15	1150
	42	14300	985	0.18	995
	48	13500	865	0.23	745
	60	11200	690	0.37	470
	72	8300	575	0.53	325
	84	6100	495	1.16	150
	96	4600	430	0.93	185
108	3700	385	1.20	145	
120	0	345	1.38	125	

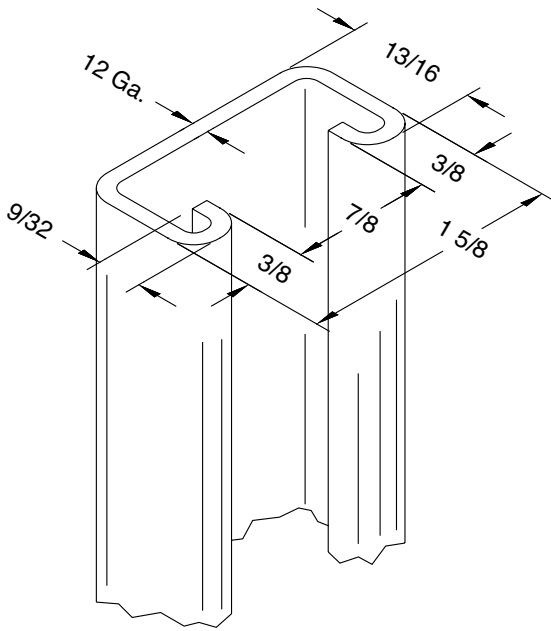
For perforated channels, reduce total beam load values as follows:

G782	OS	22%
G782	LS	35%
G782	H	14%
G782	KO	6%

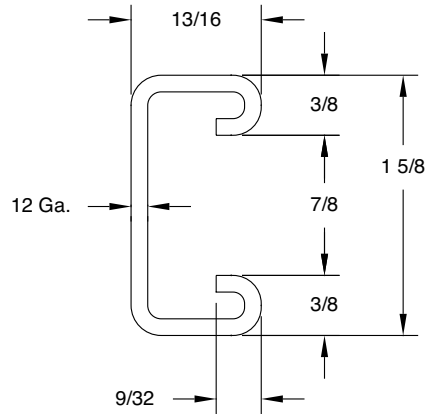
E = 29000; Fy = 42700; K = 0.8

**BEAM LOADS:** Loads listed are distributed uniformly. For loads concentrated at center of span, multiply uniform load by 0.5 and deflection by 0.8. Where deflection is not a factor, use stress of 25,000 PSI. When deflection is a factor, use deflection of 1/240 span.

**COLUMN LOADS:** Column loads are for allowable axial loads for the unsupported heights listed (including a K value of 0.80). Column loads must be reduced for eccentric loading.



	<b>G3220S</b> [Oval Slot]
	<b>G321LS</b> [Long Slot]
	<b>G3221-H</b> [Hold Up]
	<b>G3221-A</b> [Back Back]
	<b>G3221-KO</b> [Knock Out]



ENGINEERING DATA

THIS DRAWING IS THE PROPERTY OF GREGORY STRUT PROD. AND IS LOANED WITHOUT OTHER CONSIDERATION THAN THE AGREEMENT AND CONDITION THAT IT IS NOT TO BE REPRODUCED, COPIED OR OTHERWISE DISPOSED OF, DIRECTLY OR INDIRECTLY, AND IS NOT TO BE USED IN WHOLE OR IN PART TO ASSIST IN MAKING OR TO FURNISH ANY INFORMATION FOR THE MAKING OF DRAWINGS, PRINTS, APPARATUS OR PARTS THEREOF. THIS DRAWING SHALL BE RETURNED TO GREGORY STRUT PROD. UPON COMPLETION OF THE WORK FOR WHICH IT WAS LOANED. THE USER SHALL WAIVE ALL RIGHTS OF THE FOREGOING CONDITIONS AND AS AN INDICATION OF THE EXCLUSIVE OWNERSHIP IN AND TO THE DRAWING OF GREGORY STRUT PRODUCTS.

ITEM	QNT'Y	DESCRIPTION	MATERIAL
		<b>ROLLFORM TOLERANCES</b>	
SCALE FULL		CHK'D BY	LENGTH ± 0.125"
DWN BY	IDI 02-02-02	APP'D BY	ALL OTHER DIMENSIONS ± 0.020"
<b>G-STRUT CHANNEL, PART <del>G322</del> G322</b>			
CAD FILENAME: <b>G322</b>		<b>GREGORY STRUT PRODUCTS</b> Division of Gregory Industries 4100 13th Street SW; Canton, OH 44710 PH: 330-477-4800 FX: 330-477-0626	REF. No.
LAST PLOT DATE: 02-02-02			DRWG No. <b>G322</b>

**G-STRUT Channel – G132**

1-5/8" x 13/16" (1.625" x 0.8125")

12 gauge (0.102" thick)

**Elements of Section**

Strut Section No.	Weight/ Foot lbs.	Area of Section in. <sup>2</sup>	X-X Axis			Y-Y Axis		
			Moment of Inertia in. <sup>4</sup>	Section Modulus in. <sup>3</sup>	Radius of Gyration in.	Moment of Inertia in. <sup>4</sup>	Section Modulus in. <sup>3</sup>	Radius of Gyration in.
G132	1.262	0.371	0.029	0.06	0.28	0.134	0.165	0.601
G132A	2.64	0.750	0.145	0.180	0.435	0.280	0.345	0.600

**Beam & Column Loads**

Strut Section Number	Beam Span or Column Height	Maximum Column Load	Total Uniform Load at 25,000 PSI	Deflection at 25,000 PSI	Uniform Load at 1/240 Span Deflection
	in.	lbs.	lbs.	in.	lbs.
<b>G132</b>	12	6430	1000	0.02	-
	18	5860	660	0.05	-
	24	5180	500	0.1	-
	30	4410	400	0.16	290
	36	3530	330	0.23	200
	42	2630	280	0.32	150
	48	2020	250	0.42	110
	54	1590	220	0.53	90
	60	1290	200	0.66	70
	66	1060	180	0.8	60
	72	0	160	0.92	50
	84	0	140	1.28	30
<b>G132A</b>	96	0	120	1.64	20
	108	0	110	2.14	20
	120	0	100	2.67	10
	24	15287	1200	0.10	1200
	30	14673	1150	0.12	1200
	36	13910	990	0.15	980
	42	13009	825	0.19	765
	48	11969	695	0.24	590
	60	9473	600	0.29	375
	72	6740	490	0.41	265
	84	4952	425	0.54	195
	96	3791	375	0.68	150
108	2995	330	0.82	115	
120	-	300	1.00	95	

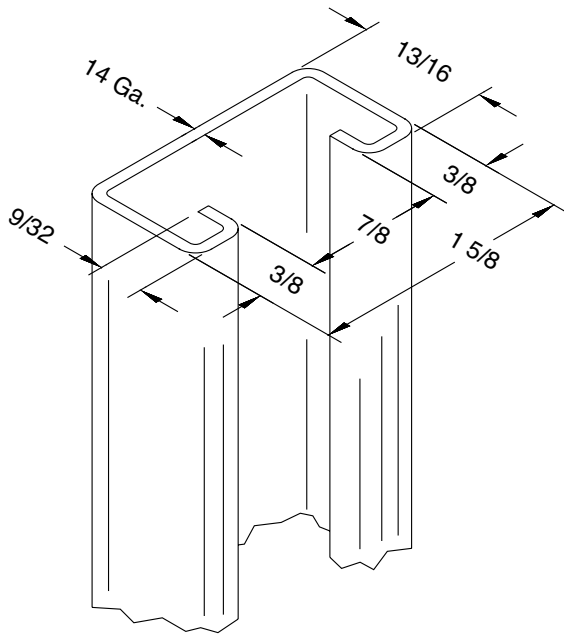
For perforated channels, reduce total beam load values as follows:

G132	OS	22%
G132	LS	35%
G132	H	14%
G132	KO	6%

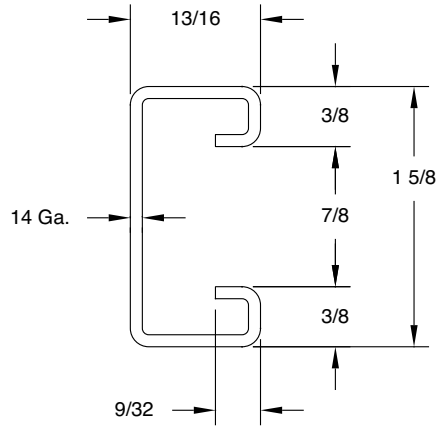
E = 29000; Fy = 42700; K = 0.8

**BEAM LOADS:** Loads listed are distributed uniformly. For loads concentrated at center of span, multiply uniform load by 0.5 and deflection by 0.8. Where deflection is not a factor, use stress of 25,000 PSI. When deflection is a factor, use deflection of 1/240 span.

**COLUMN LOADS:** Column loads are for allowable axial loads for the unsupported heights listed (including a K value of 0.80). Column loads must be reduced for eccentric loading.



	<b>G634QS</b> [Oval Slot]
	<b>G634LS</b> [Long Slot]
	<b>G634H</b> [Holes]
	<b>G634A</b> [Back to Back]
	<b>G634KO</b> [Knock Out]



THIS DRAWING IS THE PROPERTY OF GREGORY STRUT PRODUCTS AND IS LOANED WITHOUT OTHER CONSIDERATION THAN THE AGREEMENT AND CONDITION THAT IT IS NOT TO BE REPRODUCED, COPIED, OR OTHERWISE DISPOSED OF DIRECTLY OR INDIRECTLY, AND IS NOT TO BE USED IN WHOLE OR IN PART TO ASSIST IN MAKING OR TO FURNISH ANY INFORMATION FOR THE MAKING OF DRAWINGS, PRINTS, APPARATUS, OR PARTS THEREOF. THIS DRAWING SHALL BE TURNED TO GREGORY STRUT PRODUCTS UPON REQUEST. THE ACCEPTANCE OF THIS DRAWING WILL BE CONSIDERED AS AN ACCEPTANCE OF THE FOREGOING CONDITIONS AS A BASIS OF THE EXCLUSIVE OWNERSHIP AND TO THE DRAWING OF GREGORY STRUT PRODUCTS.

ITEM	QNT'Y	DESCRIPTION	MATERIAL
		ROLLFORM TOLERANCES	
SCALE	FULL	CHK'D BY	LENGTH ± 0.125"
DWN BY	IDI	02-02-02	APP'D BY
<b>G-STRUT CHANNEL, PART <del>G634</del> G634</b>			
CAD FILENAME: <b>G634</b>		<b>GREGORY STRUT PRODUCTS</b> Division of Gregory Industries 4100 13th Street SW, Canton, OH 44710 PH: 330-477-4800 FX: 330-477-0626	REF. No.
LAST PLOT DATE: 02-02-02			DRWG No. <b>G634</b>



# G-STRUT Channel – G134

1-5/8" x 13/16" (1.625" x 0.8125")

14 gauge (0.077" thick)

## Elements of Section

Strut Section No.	Weight/ Foot lbs.	Area of Section in. <sup>2</sup>	X-X Axis			Y-Y Axis		
			Moment of Inertia in. <sup>4</sup>	Section Modulus in. <sup>3</sup>	Radius of Gyration in.	Moment of Inertia in. <sup>4</sup>	Section Modulus in. <sup>3</sup>	Radius of Gyration in.
G134	1.000	0.294	0.025	0.052	0.292	0.109	0.134	0.609
G134A	1.980	0.581	0.117	0.144	0.449	0.214	0.263	0.607

## Beam & Column Loads

Strut Section Number	Beam Span or Column Height	Maximum Column Load	Total Uniform Load at 25,000 PSI	Deflection at 25,000 PSI	Uniform Load at 1/240 Span Deflection
	in.	lbs.	lbs.	in.	lbs.
<b>G134</b>	12	5220	860	0.02	-
	18	4800	570	0.05	-
	24	4300	430	0.1	-
	30	3730	340	0.16	250
	36	3090	280	0.23	170
	42	2380	240	0.31	130
	48	1820	210	0.41	100
	54	1440	190	0.53	70
	60	1170	170	0.65	60
	66	960	150	0.77	50
	72	940	140	0.93	40
	84	0	120	1.27	30
<b>G134A</b>	96	0	100	1.58	20
	108	0	90	2.03	10
	120	0	80	2.48	10
	24	10350	900	0.10	900
	30	9440	720	0.13	720
	36	9440	612	0.15	612
	42	8850	612	0.18	612
	48	8170	610	0.25	480
	60	6540	490	0.40	310
	72	4700	410	0.59	210
	84	3450	350	0.77	160
	96	2640	300	1.00	120
108	2080	270	1.22	100	
120	0	240	1.50	80	

For perforated channels, reduce total beam load values as follows:

G134	OS	22%
G134	LS	35%
G134	H	14%
G134	KO	6%

E = 29000; Fy = 42700; K = 0.8

**BEAM LOADS:** Loads listed are distributed uniformly. For loads concentrated at center of span, multiply uniform load by 0.5 and deflection by 0.8. Where deflection is not a factor, use stress of 25,000 PSI. When deflection is a factor, use deflection of 1/240 span.

**COLUMN LOADS:** Column loads are for allowable axial loads for the unsupported heights listed (including a K value of 0.80). Column loads must be reduced for eccentric loading.

ENGINEERING DATA



## SECTION 8

### Cross Reference By Product Code

A listing of comparative product part numbers is supplied for your convenience. The codes listed are for comparison only, and products may not be completely identical. Any part not identified in the G-Strut catalog is available by referring to other manufacturers' product numbers. Parts may also be ordered for manufacturers who are not included in this catalog. Consult factory or your sales representative.

(GREGORY) G-STRUT	(ANVIL INTERNATIONAL) ANVIL STRUT	(COOPER) B-LINE	(CULLY) MINERALLAC	(ELITE) ELIITE COMPONENTS	(ERICO) ERI-STRUT	(FLEX STRUT) FLEX STRUT	(FLORIDA STRUT) FLORIDA STRUT	(GS METALS) GLOBE STRUT	(HAYDON) H-STRUT
<b>Pre-Galvanized - G-812 - 3-1/4" x 1-5/8"</b>									
G8121	AS 100-PG 10	B11 GALV 120	N/A	N/A	E12PG10	FS-100-PG-10		G-2512-PG (10)	H-112-PG X 10
G8122	AS 100-PG 20	B11 GALV 240	N/A	N/A	E12PG20	FS-100-PG-20		G-2512-PG (20)	H-112-PG X 20
G812H1	AS 100H-PG 10	B11 H1/78 GALV 120	N/A	N/A		FS-100-H-PG-10		N/A	H-112-RS-PG X 10
G812H2	AS 100H-PG 20	B11 H1/78 GALV 240	N/A	N/A		FS-100-H-PG-20		N/A	H-112-RS-PG X 20
G812OS1	AS 100EH-PG 10	B11 SH GALV 120	N/A	ES E12 UST029	E12HS1000PG	FS-100-SS-PG-10	FS12314-10-PRE-GALV	N/A	H-112-OS-PG X 10
G812OS2	AS 100EH-PG 20	B11 SH GALV 240	N/A	ES E12 UST030	E12HS2000PG	FS-100-SS-PG-20	FS12314-20-PRE-GALV	N/A	H-112-OS-PG X 20
G812LS1	AS 100S-PG 10	B11 S GALV 120	N/A	N/A		FS-100-SL-PG-10		N/A	H-112-OS3-PG X 10
G812LS2	AS 100S-PG 20	B11 S GALV 240	N/A	N/A		FS-100-SL-PG-20		N/A	H-112-OS3-PG X 20
G812A1	AS 100BTB-PG 10	B11A GALV 120	N/A	N/A		FS-101-PG-10		N/A	H-132-A-PG X 10
G812A2	AS 100BTB-PG 20	B11A GALV 240	N/A	N/A		FS-101-PG-20		N/A	H-132-A-PG X 20
G812AOS1			N/A	N/A			FS12314BB-10-PRE-GALV	N/A	
G812A-OS2			N/A	N/A			FS12314BB-20-PRE-GALV	N/A	
G812K01	AS 100KO-PG 10	B11 K06 GALV 120	N/A	N/A		FS-100-KO-PG-10		N/A	H-112-KO-PG X 10
G812K02	AS 100KO-PG 20	B11 K06 GALV 240	N/A	N/A		FS-100-KO-PG-20		N/A	H-112-KO-PG X 20
<b>Green</b>									
G8121POP	AS 100-GR 10	B11 GRN 120	N/A	ES E12 UST031	E121000GN	FS-100-GR-10	N/A	G-2512 (10) GR	H-112 GR X 10
G8122POP	AS 100-GR 20	B11 GRN 240	N/A	ES E12 UST032	E122000GN	FS-100-GR-20	N/A	G-2512 (20) GR	H-112 GR X 20
G812H1POP	AS 100H-GR 10	B11 H1/78 GRN 120	N/A	N/A		FS-100-H-GR-10	N/A	N/A	H-112-RS-GR X 10
G812H2POP	AS 100H-GR 20	B11 H1/78 GRN 240	N/A	N/A		FS-100-H-GR-20	N/A	N/A	H-112-RS-GR X 20
G812OS1POP	AS 100EH-GR 10	B11 SH GRN 120	N/A	N/A	E12HS1000GN	FS-100-SS-GR-10	N/A	N/A	H-112-OS-GR X 10
G812OS2POP	AS 100EH-GR 20	B11 SH GRN 240	N/A	N/A	E12HS2000GN	FS-100-SS-GR-20	N/A	N/A	H-112-OS-GR X 20
G812LS1POP	AS 100S-GR 10	B11 S GRN 120	N/A	N/A		FS-100-SL-GR-10	N/A	N/A	H-112-OS3-GR X 10
G812LS2POP	AS 100S-GR 20	B11 S GRN 240	N/A	N/A		FS-100-SL-GR-20	N/A	N/A	H-112-OS3-GR X 20
G812A1POP	AS 100BTB-GR 10	B11A GRN 120	N/A	N/A		FS-101-GR-10	N/A	N/A	H-112-A-GR X 10
G812A2POP	AS 100BTB-GR 20	B11A GRN 240	N/A	N/A		FS-101-GR-20	N/A	N/A	H-112-A-GR X 20
G812AOS1POP			N/A	N/A			N/A	N/A	
G812AOS2POP			N/A	N/A			N/A	N/A	
G812K01POP	AS 100KO-GR 10	B11 K06 GRN 120	N/A	N/A		FS-100-KO-GR-10	N/A	N/A	H-112-KO-GR X 10
G812K02POP	AS 100KO-GR 20	B11 K06 GRN 240	N/A	N/A		FS-100-KO-GR-20	N/A	N/A	H-112-KO-GR X 20
<b>Yellow Zinc Dichromate</b>									
G8121YZ			N/A	N/A	N/A	N/A	N/A	G-2512-GC (10)	
G8122YZ			N/A	N/A	N/A	N/A	N/A	G-2512-GC (20)	
G812H1YZ			N/A	N/A	N/A	N/A	N/A	N/A	
G812H2YZ			N/A	N/A	N/A	N/A	N/A	N/A	
G812OS1YZ			N/A	N/A	N/A	N/A	N/A	N/A	
G812OS2YZ			N/A	N/A	N/A	N/A	N/A	N/A	
G812LS1YZ			N/A	N/A	N/A	N/A	N/A	N/A	
G812LS2YZ			N/A	N/A	N/A	N/A	N/A	N/A	
G812A1YZ			N/A	N/A	N/A	N/A	N/A	N/A	
G812A2YZ			N/A	N/A	N/A	N/A	N/A	N/A	
G812AOS1YZ			N/A	N/A	N/A	N/A	N/A	N/A	
G812AOS2YZ			N/A	N/A	N/A	N/A	N/A	N/A	
G812K01YZ			N/A	N/A	N/A	N/A	N/A	N/A	
G812K02YZ			N/A	N/A	N/A	N/A	N/A	N/A	
<b>Plain, Pickled, &amp; Oiled</b>									
G8121PO	AS 100-PL 10	B11 PL 120	N/A	N/A	N/A	FS-100-PL-10			H-112-PL X 10
G8122PO	AS 100-PL 20	B11 PL 240	N/A	N/A	N/A	FS-100-PL-20			H-112-PL X 20
G812H1PO	AS 100H-PL 10	B11 H1/78 PL 120	N/A	N/A	N/A	FS-100-H-PL-10		N/A	H-112-RS-PL X 10
G812H2PO	AS 100H-PL 20	B11 H1/78 PL 240	N/A	N/A	N/A	FS-100-H-PL-20		N/A	H-112-RS-PL X 20
G812OS1PO	AS 100EH-PL 10	B11 SH PL 120	N/A	N/A	N/A	FS-100-SS-PL-10	FS12314-10-PL	N/A	H-112-OS-PL X 10
G812OS2PO	AS 100EH-PL 20	B11 SH PL 240	N/A	N/A	N/A	FS-100-SS-PL-20	FS12314-20-PL	N/A	H-112-OS-PL X 20
G812LS1PO	AS 100S-PL 10	B11 S PL 120	N/A	N/A	N/A	FS-100-SL-PL-10		N/A	H-112-OS3-PL X 10
G812LS2PO	AS 100S-PL 20	B11 S PL 240	N/A	N/A	N/A	FS-100-SL-PL-20		N/A	H-112-OS3-PL X 20
G812A1PO	AS 100BTB-PL 10	B11A PL 120	N/A	N/A	N/A	FS-101-PL-10		N/A	H-132-A-PL X 10
G812A2PO	AS 100BTB-PL 20	B11A PL 240	N/A	N/A	N/A	FS-101-PL-20		N/A	H-132-A-PL X 20
G812AOS1PO			N/A	N/A	N/A		FS12314BB-10-PL	N/A	
G812AOS2PO			N/A	N/A	N/A		FS12314BB-20-PL	N/A	
G812K01PO	AS 100KO-PL 10	B11 K06 PL 120	N/A	N/A	N/A	FS-100-KO-PL-10		N/A	H-112-KO-PL X 10
G812K02PO	AS 100KO-PL 20	B11 K06 PL 240	N/A	N/A	N/A	FS-100-KO-PL-20		N/A	H-112-KO-PL X 20
<b>Hot-dipped Galvanized</b>									
G8121HDG		B11 HDG 120	N/A	N/A	N/A	FS-100-HG-10		G-2512-HDG (10)	H-112-HDG X 10
G8122HDG		B11 HDG 240	N/A	N/A	N/A	FS-100-HG-20		G-2512-HDG (10)	H-112-HDG X 20
G812H1HDG		B11 H1/78 HDG 120	N/A	N/A	N/A	FS-100-H-HG-10		N/A	H-112-RS-HDG X 10
G812H2HDG		B11 H1/78 HDG 240	N/A	N/A	N/A	FS-100-H-HG-20		N/A	H-112-RS-HDG X 20
G812OS1HDG		B11 SH HDG 120	N/A	N/A	N/A	FS-100-SS-HG-10	FS12314-10-HD	N/A	H-112-OS-HDG X 10
G812OS2HDG		B11 SH HDG 240	N/A	N/A	N/A	FS-100-SS-HG-20	FS12314-20-HD	N/A	H-112-OS-HDG X 20
G812LS1HDG		B11 S HDG 120	N/A	N/A	N/A	FS-100-SL-HG-10		N/A	H-112-OS3-HDG X 10
G812LS2HDG		B11 S HDG 240	N/A	N/A	N/A	FS-100-SL-HG-20		N/A	H-112-OS3-HDG X 20
G812A1HDG		B11A HDG 120	N/A	N/A	N/A	FS-101-HG-10		N/A	
G812A2HDG		B11A HDG 240	N/A	N/A	N/A	FS-101-HG-20		N/A	
G812AOS1HDG			N/A	N/A	N/A		FS12314BB-10-HD	N/A	
G812AOS2HDG			N/A	N/A	N/A		FS12314BB-20-HD	N/A	
G812K01HDG		B11 K06 HDG 120	N/A	N/A	N/A	FS-100-KO-HG-10		N/A	H-112-KO-HDG X 10
G812K02HDG		B11 K06 HDG 240	N/A	N/A	N/A	FS-100-KO-HG-20		N/A	H-112-KO-HDG X 20

CROSS REFERENCE

(GREGORY) G-STRUT	(PHD MFG) PHD STRUT	(TYCO / ALLIED) POWER-STRUT	(POWER-UTILITY PRODUCTS) PUPCO	(SASCO) SASCO STRUT	(THOMAS & BETTS) SUPER-STRUT	(TOLCO) TOL-STRUT	(TYCO) UNI-STRUT	(UNITRON) U.S. STRUT	(VERSABAR CORP) VERSABAR	WESANCO WESTRUT
<b>Pre-Galvanized - G-812 - 3-1/4" x 1-5/8"</b>										
G8121	1501 PG (10)	PS 100 10 PG	AS-112-PG (10)	S9G (10)	H1200 10PG	E-12 10	P5000 10PG	UN 600-12 PG (10)	VA-11 EG (10)	W-150 PRE-GALV (10)
G8122	1502 PG (20)	PS 100 20 PG	AS-112-PG (20)	S9G (20)	H1200 20PG	E-12 20	P5000 20PG	UN 600-12 PG (20)	VA-11 EG (20)	W-150 PRE-GALV (20)
G812H1	1521 PG (10)	PS 100 H 10 PG	AS-112-RS-PG (10)	S9H112G (10)	H1200-P 10PG	N/A	P5000 HS 10PG	UN 602-12 PG (10)	VA-11P1.5 (10)	W-150 H PRE-GALV (10)
G812H2	1522 PG (20)	PS 100 H 20 PG	AS-112-RS-PG (20)	S9H112G (20)	H1200-P 20PG	N/A	P5000 HS 20PG	UN 602-12 PG (20)	VA-11P1.5 (20)	W-150 H PRE-GALV (20)
G812OS1	1511 PG (10)	PS 100 EH 10 PG	AS-112-OS-PG (10)	S9SL2G (10)	H1200-HS 10PG	N/A	P5000 T 10PG	UN 604-12 PG (10)	VA-11PLH EG (10)	W-150 SS PRE-GALV (10)
G812OS2	1512 PG (20)	PS 100 EH 20 PG	AS-112-OS-PG (20)	S9SL2G (20)	H1200-HS 20PG	N/A	P5000 T 20PG	UN 604-12 PG (20)	VA-11PLH EG (20)	W-150 SS PRE-GALV (20)
G812LS1	1531 PG (10)	PS 100 S 10 PG	AS-112-SL-PG (10)	S9SL4G (10)	N/A	N/A	P5000 SL 10PG	UN 605-12 PG (10)	N/A	W-151 SL PRE-GALV (10)
G812LS2	1532 PG (20)	PS 100 S 20 PG	AS-112-SL-PG (20)	S9SL4G (20)	N/A	N/A	P5000 SL 20PG	UN 605-12 PG (20)	N/A	W-151 SL PRE-GALV (20)
G812A1	1501A PG (10)	PS 100 2T3 10 PG	AS-112A-PG (10)	S9BB-B (10)	H1202 10PG	E-12A 10	P5001 10PG	UN 600-12BB PG (10)	VA-11201 EG (10)	W-151 PRE-GALV (10)
G812A2	1502A PG (20)	PS 100 2T3 20 PG	AS-112A-PG (20)	S9BB-B (20)	H1202 20PG	E-12A 20	P5001 20PG	UN 600-12BB PG (20)	VA-11201 EG (20)	W-151 PRE-GALV (20)
G812AOS1	1511A PG (10)	N/A	AS-112A-OS-PG (10)	N/A	H1202-HS 10PG	N/A	N/A	UN 604-12BB PG (10)	N/A	W-151 SS PRE-GALV (10)
G812AOS2	1512A PG (20)	N/A	AS-112A-OS-PG (20)	N/A	H1202-HS 20PG	N/A	N/A	UN 604-12BB PG (20)	N/A	W-151 SS PRE-GALV (20)
G812K01	1541 PG (10)	PS 100 K06 10 PG	AS-112-KO-PG (10)	S9K06G (10)	N/A	N/A	P5001 KO 10PG	UN 606-12 PG (10)	N/A	W-151 KO PRE-GALV (10)
G812K02	1542 PG (20)	PS 100 K06 20 PG	AS-112-KO-PG (20)	S9K06G (20)	N/A	N/A	P5001 KO 20PG	UN 606-12 PG (20)	N/A	W-151 KO PRE-GALV (20)
<b>Green</b>										
G8121POP	N/A	PS 100 10 GR	AS-112-GR (10)	N/A	H-1200 10GR	N/A	P5000 10GR	UN 600-12 GREEN (10)	N/A	W-150 GREEN (10)
G8122POP	N/A	PS 100 20 GR	AS-112-GR (20)	N/A	H-1200 20GR	N/A	P5000 20GR	UN 600-12 GREEN (20)	N/A	W-150 GREEN (20)
G812H1POP	N/A	PS 100 H 10 GR	AS-112-RS-GR (10)	N/A	H-1200-H 10GR	N/A	P5000 HS 10GR	UN 602-12 GREEN (10)	N/A	W-150 H GREEN (10)
G812H2POP	N/A	PS 100 H 20 GR	AS-112-RS-GR (20)	N/A	H-1200-H 20GR	N/A	P5000 HS 20GR	UN 602-12 GREEN (20)	N/A	W-150 H GREEN (20)
G812OS1POP	N/A	PS 100 EH 10 GR	AS-112-OS-GR (10)	N/A	H-1200-HS 10GR	N/A	P5000 T 10GR	UN 604-12 GREEN (10)	N/A	W-150 SS GREEN (10)
G812OS2POP	N/A	PS 100 EH 20 GR	AS-112-OS-GR (20)	N/A	H-1200-HS 20GR	N/A	P5000 T 20GR	UN 604-12 GREEN (20)	N/A	W-150 SS GREEN (20)
G812LS1POP	N/A	PS 100 S 10 GR	AS-112-SL-GR (10)	N/A	N/A	N/A	P5000 SL 10GR	UN 605-12 GREEN (10)	N/A	W-150 SL GREEN (10)
G812LS2POP	N/A	PS 100 S 20 GR	AS-112-SL-GR (20)	N/A	N/A	N/A	P5000 SL 20GR	UN 605-12 GREEN (20)	N/A	W-150 SL GREEN (20)
G812A1POP	N/A	PS 100 2T3 10 GR	AS-112A-GR (10)	N/A	H-1202 10GR	N/A	P5001 10GR	UN 600-12BB GREEN (10)	N/A	W-151 GREEN (10)
G812A2POP	N/A	PS 100 2T3 20 GR	AS-112A-GR (20)	N/A	H-1202 20GR	N/A	P5001 20GR	UN 600-12BB GREEN (20)	N/A	W-151 GREEN (20)
G812AOS1POP	N/A	N/A	AS-112A-OS-GR (10)	N/A	H-1202-HS 10GR	N/A	N/A	UN 604-12BB GREEN (10)	N/A	W-151 SS GREEN (10)
G812AOS2POP	N/A	N/A	AS-112A-OS-GR (20)	N/A	H-1202-HS 20GR	N/A	N/A	UN 604-12BB GREEN (20)	N/A	W-151 SS GREEN (20)
G812K01POP	N/A	PS 100 K06 10 GR	AS-112-KO-GR (10)	N/A	N/A	N/A	P5001 KO 10PG	UN 606-12 GREEN (10)	N/A	W-151 KO GREEN (10)
G812K02POP	N/A	PS 100 K06 20 GR	AS-112-KO-GR (20)	N/A	N/A	N/A	P5001 KO 20PG	UN 606-12 GREEN (20)	N/A	W-151 KO GREEN (20)
<b>Yellow Zinc Dichromate</b>										
G8121YZ	N/A	PS 100 10 ZD	AS-112-GD (10)	N/A	N/A	N/A	N/A	N/A	N/A	N/A
G8122YZ	N/A	PS 100 20 ZD	AS-112-GD (20)	N/A	N/A	N/A	N/A	N/A	N/A	N/A
G812H1YZ	N/A	PS 100 H 10 ZD	AS-112-RS-GD (10)	N/A	N/A	N/A	N/A	N/A	N/A	N/A
G812H2YZ	N/A	PS 100 H 20 ZD	AS-112-RS-GD (20)	N/A	N/A	N/A	N/A	N/A	N/A	N/A
G812OS1YZ	N/A	PS 100 EH 10 ZD	AS-112-OS-GD (10)	N/A	N/A	N/A	N/A	N/A	N/A	N/A
G812OS2YZ	N/A	PS 100 EH 20 ZD	AS-112-OS-GD (20)	N/A	N/A	N/A	N/A	N/A	N/A	N/A
G812LS1YZ	N/A	PS 100 S 10 ZD	AS-112-SL-GD (10)	N/A	N/A	N/A	N/A	N/A	N/A	N/A
G812LS2YZ	N/A	PS 100 S 20 ZD	AS-112-SL-GD (20)	N/A	N/A	N/A	N/A	N/A	N/A	N/A
G812A1YZ	N/A	PS 100 2T3 10 ZD	AS-112A-GD (10)	N/A	N/A	N/A	N/A	N/A	N/A	N/A
G812A2YZ	N/A	PS 100 2T3 20 ZD	AS-112A-GD (20)	N/A	N/A	N/A	N/A	N/A	N/A	N/A
G812AOS1YZ	N/A	N/A	AS-112A-OS-GD (10)	N/A	N/A	N/A	N/A	N/A	N/A	N/A
G812AOS2YZ	N/A	N/A	AS-112A-OS-GD (20)	N/A	N/A	N/A	N/A	N/A	N/A	N/A
G812K01YZ	N/A	PS 100 K06 10 ZD	AS-112-KO-GD (10)	N/A	N/A	N/A	N/A	N/A	N/A	N/A
G812K02YZ	N/A	PS 100 K06 20 ZD	AS-112-KO-GD (20)	N/A	N/A	N/A	N/A	N/A	N/A	N/A
<b>Plain, Pickled, &amp; Oiled</b>										
G8121PO	1501 PL (10)	PS 100 10 PL	AS-112-BK (10)	S9P (10)	H1200 10B	N/A	P5000 10PL	UN 600-12 PL (10)	N/A	W-150 PLAIN (10)
G8122PO	1502 PL (20)	PS 100 20 PL	AS-112-BK (20)	S9P (20)	H1200 20B	N/A	P5000 20PL	UN 600-12 PL (20)	N/A	W-150 PLAIN (20)
G812H1PO	1521 PL (10)	PS 100 H 10 PL	AS-112-RS-BK (10)	S9H112P (10)	H1200-H 10B	N/A	P5000 HS 10PL	UN 602-12 PL (10)	N/A	W-150 H PLAIN (10)
G812H2PO	1522 PL (20)	PS 100 H 20 PL	AS-112-RS-BK (20)	S9H112P (20)	H1200-H 20B	N/A	P5000 HS 20PL	UN 602-12 PL (20)	N/A	W-150 H PLAIN (20)
G812OS1PO	1511 PL (10)	PS 100 EH 10 PL	AS-112-OS-BK (10)	S9SL2P (10)	H1200-HS 10B	N/A	P5000 T 10PL	UN 604-12 PL (10)	N/A	W-150 SS PLAIN (10)
G812OS2PO	1512 PL (20)	PS 100 EH 20 PL	AS-112-OS-BK (20)	S9SL2P (20)	H1200-HS 20B	N/A	P5000 T 20PL	UN 604-12 PL (20)	N/A	W-150 SS PLAIN (20)
G812LS1PO	1531 PL (10)	PS 100 S 10 PL	AS-112-SL-BK (10)	S9SL4P (10)	N/A	N/A	P5000 SL 10PL	UN 605-12 PL (10)	N/A	W-150 SL PLAIN (10)
G812LS2PO	1532 PL (20)	PS 100 S 20 PL	AS-112-SL-BK (20)	S9SL4P (20)	N/A	N/A	P5000 SL 20PL	UN 605-12 PL (20)	N/A	W-151 SL PLAIN (20)
G812A1PO	1501A PL (10)	PS 100 2T3 10 PL	AS-112A-BK (10)	S9BB-P (10)	H1202 10B	N/A	P5001 10PL	UN 600-12BB PL (10)	N/A	W-151 PLAIN (10)
G812A2PO	1502A PL (20)	PS 100 2T3 20 PL	AS-112A-BK (20)	S9BB-P (20)	H1202 20B	N/A	P5001 20PL	UN 600-12BB PL (20)	N/A	W-151 PLAIN (20)
G812AOS1PO	1511A PL (10)	N/A	AS-112A-OS-BK (10)	N/A	N/A	N/A	P5001T 10PL	UN 604-12BB PL (10)	N/A	W-151 SS PLAIN (10)
G812AOS2PO	1512A PL (20)	N/A	AS-112A-OS-BK (20)	N/A	N/A	N/A	P5001T 20PL	UN 604-12BB PL (20)	N/A	W-151 SS PLAIN (20)
G812K01PO	1541 PL (10)	PS 100 K06 10 PL	AS-112-KO-BK (10)	S9K06P (10)	N/A	N/A	P5000 KO 10PL	UN 606-12 PL (10)	N/A	W-151 KO PLAIN (10)
G812K02PO	1542 PL (20)	PS 100 K06 20 PL	AS-112-KO-BK (20)	S9K06P (20)	N/A	N/A	P5000 KO 20PL	UN 606-12 PL (20)	N/A	W-151 KO PLAIN (20)
<b>Hot-dipped Galvanized</b>										
G8121HDG	1501 HD (10)	PS 100 10 HG	AS-112-HD (10)	S9HG (10)	H1200 10HDG	N/A	P5000 10HG	UN 600-12 HDGAF (10)	N/A	W-150 HDGAF (10)
G8122HDG	1502 HD (20)	PS 100 20 HG	AS-112-HD (20)	S9HG (20)	H1200 20HDG	N/A	P5000 20HG	UN 600-12 HDGAF (20)	N/A	W-150 HDGAF (20)
G812H1HDG	1521 HD (10)	PS 100 H 10 HG	AS-112-RS-HD (10)	S9H112HG (10)	H1200-H 10HDG	N/A	P5000 HS 10HG	UN 602-12 HDGAF (10)	N/A	W-150 H HDGAF (10)
G812H2HDG	1522 HD (20)	PS 100 H 20 HG	AS-112-RS-HD (20)	S9H112HG (20)	H1200-H 20HDG	N/A	P5000 HS 20HG	UN 602-12 HDGAF (20)	N/A	W-150 H HDGAF (20)
G812OS1HDG	1511 HD (10)	PS 100 EH 10 HG	AS-112-OS-HD (10)	S9SL2HG (10)	H1200-HS 10HDG	N/A	P5000 T 10HG	UN 604-12 HDGAF (10)	N/A	W-150 SS HDGAF (10)
G812OS2HDG	1512 HD (20)	PS 100 EH 20 HG	AS-112-OS-HD (20)	S9SL2HG (20)	H1200-HS 20HDG	N/A	P5000 T 20HG	UN 604-12 HDGAF (20)	N/A	W-150 SS HDGAF (20)
G812LS1HDG	1531 HD (10)	PS 100 S 10 HG	AS-112-SL-HD (10)	S9SL4HG (10)	N/A	N/A	P5000 SL 10HG	UN 605-12 HDGAF (10)	N/A	W-150 SL HDGAF (10)
G812LS2HDG	1532 HD (20)	PS 100 S 20 HG	AS-112-SL-HD (20)	S9SL4HG (20)	N/A	N/A	P5000 SL 20HG	UN 605-12 HDGAF (20)	N/A	W-151 SL HDGAF (20)
G812A1HDG	1501A HD (10)	PS 100 2T3 10 HG	AS-112A-HD (10)	S9BB-HG (10)	H1202 10HDG	N/A	P5001 10HG	UN 600-12BB HDGAF (10)	N/A	W-151 HDGAF (10)
G812A2HDG	1502A HD (20)	PS 100 2T3 20 HG	AS-112A-HD (20)	S9BB-HG (20)	H1202 20HDG	N/A	P5001 20HG	UN 600-12BB HDGAF (20)	N/A	W-151 HDGAF (20)
G812AOS1HDG	1511A HD (10)	N/A	AS-112A-OS-HD (10)	N/A	N/A	N/A	P5001T 10HG	UN 604-12BB HDGAF (10)	N/A	W-151 SS HDGAF (10)
G812AOS2HDG	1512A HD (20)	N/A	AS-112A-OS-HD (20)	N/A	N/A	N/A	P5001T 20HG	UN 604-12BB HDGAF (20)	N/A	W-151 SS HDGAF (20)
G812K01HDG	1541 HD (10)	PS 100 K06 10 HG	AS-112-KO-HD (10)	S9K06HG (10)	N/A	N/A	P5000 KO 10HG	UN 606-12 HDGAF (10)	N/A	W-151 KO HDGAF (10)
G812K02HDG	1542 HD (20)	PS 100 K06 20 HG	AS-112-KO-HD (20)	S9K06HG (20)	N/A	N/A	P5000 KO 20HG	UN 606-12 HDGAF (20)	N/A	W-151 KO HDGAF (20)

CROSS  
REFERENCE

(GREGORY) G-STRUT	(ANVIL INTERNATIONAL) ANVIL STRUT	(COOPER) B-LINE	(CULLY) MINERALLAC	(ELITE) ELITE COMPONENTS	(ERICO) ERI-STRUT	(FLEX STRUT) FLEX STRUT	(FLORIDA STRUT) FLORIDA STRUT	(GS METALS) GLOBE STRUT	(HAYDON) H-STRUT
<b>Stainless Steel (Grade 304)</b>									
G8121SS	(N/A)	N/A	N/A	N/A	N/A	FS-100-ST4-10		N/A	H-112-SS X 10
G8122SS	(N/A)	N/A	N/A	N/A	N/A	FS-100-ST4-20		N/A	H-112-SS X 20
G812H1SS	(N/A)	N/A	N/A	N/A	N/A	FS-100-H-ST4-10		N/A	H-112-RS-SS X 10
G812H2SS	(N/A)	N/A	N/A	N/A	N/A	FS-100-H-ST4-20		N/A	H-112-RS-SS X 20
G812OS1SS	(N/A)	N/A	N/A	N/A	N/A	FS-100-SS-ST4-10	FS12314-10-SS	N/A	H-112-OS-SS X 10
G812OS2SS	(N/A)	N/A	N/A	N/A	N/A	FS-100-SS-ST4-20	FS12314-10-SS	N/A	H-112-OS-SS X 20
G812LS1SS	(N/A)	N/A	N/A	N/A	N/A	FS-100-SL-ST4-10		N/A	H-112-OS3-SS X 10
G812LS2SS	(N/A)	N/A	N/A	N/A	N/A	FS-100-SL-ST4-20		N/A	H-112-OS3-SS X 20
G812A1SS	(N/A)	N/A	N/A	N/A	N/A	FS-101-ST4-10		N/A	H-112-A-SS X 10
G812A2SS	(N/A)	N/A	N/A	N/A	N/A	FS-101-ST4-20		N/A	H-112-A-SS X 20
G812AOS1SS	(N/A)	N/A	N/A	N/A	N/A		FS12314BB-10-SS	N/A	
G812AOS2SS	(N/A)	N/A	N/A	N/A	N/A		FS12314BB-20-SS	N/A	
G812K01SS	(N/A)	N/A	N/A	N/A	N/A	FS-100-KO-ST4-10		N/A	H-112-KO-SS X 10
G812K02SS	(N/A)	N/A	N/A	N/A	N/A	FS-100-KO-ST4-20		N/A	H-112-KO-SS X 20
<b>Stainless Steel (Grade 316)</b>									
G8121SS (316)	(N/A)	N/A	N/A	N/A	N/A	N/A		N/A	H-112-SS(316) X 10
G8122SS (316)	(N/A)	N/A	N/A	N/A	N/A	N/A		N/A	H-112-SS(316) X 20
G812H1SS (316)	(N/A)	N/A	N/A	N/A	N/A	N/A		N/A	H-112-RS-SS(316) X 10
G812H2SS (316)	(N/A)	N/A	N/A	N/A	N/A	N/A	FS12314-10-SS (316)	N/A	H-112-RS-SS(316) X 20
G812OS1SS (316)	(N/A)	N/A	N/A	N/A	N/A	N/A	FS12314-20-SS (316)	N/A	H-112-OS-SS(316) X 10
G812OS2SS (316)	(N/A)	N/A	N/A	N/A	N/A	N/A		N/A	H-112-OS-SS(316) X 20
G812LS1SS (316)	(N/A)	N/A	N/A	N/A	N/A	N/A		N/A	H-112-OS3-SS(316) X 10
G812LS2SS (316)	(N/A)	N/A	N/A	N/A	N/A	N/A		N/A	H-112-OS3-SS(316) X 20
G812A1SS (316)	(N/A)	N/A	N/A	N/A	N/A	N/A		N/A	H-112-A-SS(316) X 10
G812A2SS (316)	(N/A)	N/A	N/A	N/A	N/A	N/A		N/A	H-112-A-SS(316) X 20
G812AOS1SS (316)	(N/A)	N/A	N/A	N/A	N/A	N/A	FS12314BB-10-SS (316)	N/A	
G812AOS2SS (316)	(N/A)	N/A	N/A	N/A	N/A	N/A	FS12314BB-20-SS (316)	N/A	
G812K01SS (316)	(N/A)	N/A	N/A	N/A	N/A	N/A		N/A	H-112-KO-SS(316) X 10
G812K02SS (316)	(N/A)	N/A	N/A	N/A	N/A	N/A		N/A	H-112-KO-SS(316) X 20
<b>Aluminum Extruded</b>									
G8121AL	(N/A)	B11 AL 120	N/A	N/A	N/A	FS-100-AL-10		N/A	
G8122AL	(N/A)	B11 AL 240	N/A	N/A	N/A	FS-100-AL-20		N/A	
G812H1AL	(N/A)	B11 H1/78 AL 120	N/A	N/A	N/A	FS-100-H-AL-10		N/A	
G812H2AL	(N/A)	B11 H1/78 AL 240	N/A	N/A	N/A	FS-100-H-AL-20	FS12314-10-ALUMINUM	N/A	
G812OS1AL	(N/A)	B11 SH AL 120	N/A	N/A	N/A	FS-100-SS-AL-10	FS12314-20-ALUMINUM	N/A	
G812OS2AL	(N/A)	B11 SH AL 240	N/A	N/A	N/A	FS-100-SS-AL-20		N/A	
G812LS1AL	(N/A)	B11 S AL 120	N/A	N/A	N/A	FS-100-SL-AL-10		N/A	
G812LS2AL	(N/A)	B11 S AL 240	N/A	N/A	N/A	FS-100-SL-AL-20		N/A	
G812A1AL	(N/A)	B11A AL 120	N/A	N/A	N/A	FS-101-AL-10		N/A	
G812A2AL	(N/A)	B11A AL 240	N/A	N/A	N/A	FS-101-AL-20		N/A	
G812AOS1AL	(N/A)		N/A	N/A	N/A		FS12314BB-10-ALUMINUM	N/A	
G812AOS2AL	(N/A)		N/A	N/A	N/A		FS12314BB-20-ALUMINUM	N/A	
G812K01AL	(N/A)	B11 K06 AL 120	N/A	N/A	N/A	FS-100-KO-AL-10		N/A	
G812K02AL	(N/A)	B11 K06 AL 240	N/A	N/A	N/A	FS-100-KO-AL-20		N/A	
<b>PVC Coated (Galvanized or Black)</b>									
G8121PVC		N/A	N/A	N/A	N/A	N/A	N/A	N/A	
G8122PVC		N/A	N/A	N/A	N/A	N/A	N/A	N/A	
G812H1PVC		N/A	N/A	N/A	N/A	N/A	N/A	N/A	
G812H2PVC		N/A	N/A	N/A	N/A	N/A	N/A	N/A	
G812OS1PVC		N/A	N/A	N/A	N/A	N/A	N/A	N/A	
G812OS2PVC		N/A	N/A	N/A	N/A	N/A	N/A	N/A	
G812LS1PVC		N/A	N/A	N/A	N/A	N/A	N/A	N/A	
G812LS2PVC		N/A	N/A	N/A	N/A	N/A	N/A	N/A	
G812A1PVC		N/A	N/A	N/A	N/A	N/A	N/A	N/A	
G812A2PVC		N/A	N/A	N/A	N/A	N/A	N/A	N/A	
G812AOS1PVC		N/A	N/A	N/A	N/A	N/A	N/A	N/A	
G812AOS2PVC		N/A	N/A	N/A	N/A	N/A	N/A	N/A	
G812K01PVC		N/A	N/A	N/A	N/A	N/A	N/A	N/A	
G812K02PVC		N/A	N/A	N/A	N/A	N/A	N/A	N/A	
<b>Pre-Galvanized - G712 - 2-7/16" x 1-5/8"</b>									
G7121	AS 150-PG 10	B12 GALV 120	N/A	N/A	D121000PG	FS-150-PG-10		G-7612-PG (10)	H-122-PG X 10
G7122	AS 150-PG 20	B12 GALV 240	N/A	N/A	D122000PG	FS-150-PG-20		G-7612-PG (20)	H-122-PG X 20
G712H1	AS 150H-PG 10	B12 H17/8 GALV 120	N/A	N/A		FS-150-H-PG-10		G-7612-PO-PG (10)	H-122-RS-PG X 10
G712H2	AS 150H-PG 20	B12 H17/8 GALV 240	N/A	N/A		FS-150-H-PG-20		G-7612-PO-PG (20)	H-122-RS-PG X 20
G712OS1	AS 150EH-PG 10	B12 SH GALV 120	N/A	N/A	D12HS1000PG	FS-150-SS-PG-10	FS122716-10-PRE-GALV	N/A	H-122-OS-PG X 10
G712OS2	AS 150EH-PG 20	B12 SH GALV 240	N/A	N/A	D12HS2000PG	FS-150-SS-PG-20	FS122716-20-PRE-GALV	N/A	H-122-OS-PG X 20
G712LS1	AS 150S-PG 10	B12 S GALV 120	N/A	N/A		FS-150-SL-PG-10		G-7612-SL-PG (10)	H-122-OS3-PG X 10
G712LS2	AS 150S-PG 20	B12 S GALV 240	N/A	N/A		FS-150-SL-PG-20		G-7612-SL-PG (20)	H-122-OS3-PG X 20
G712A1	AS 150BTB-PG 10	B12A GALV 120	N/A	N/A		FS-151-PG-10		G-7612-A-PG(10)	H-122-A-PG X 10
G712A2	AS 150BTB-PG 20	B12A GALV 240	N/A	N/A		FS-151-PG-20		G-7612-A-PG (20)	H-122-A-PG X 20
G712AOS1	AS 150EH BTB-PG 10		N/A	N/A			FS122716BB-10-PRE-GALV	N/A	
G712AOS2	AS 150EH BTB-PG 20		N/A	N/A			FS122716BB-20-PRE-GALV	N/A	
G712K01	AS 150KO-PG 10	B12 K06 GALV 120	N/A	N/A		FS-151-KO-PG-10		N/A	H-122-KO-PG X 10
G712K02	AS 150KO-PG 20	B12 K06 GALV 240	N/A	N/A		FS-151-KO-PG-20		N/A	H-122-KO-PG X 20

CROSS REFERENCE

(GREGORY) G-STRUT	(PHD MFG) PHD STRUT	(TYCO / ALLIED) POWER-STRUT	(POWER-UTILITY PRODUCTS) PUPCO	(SASCO) SASCO STRUT	(THOMAS & BETTS) SUPER-STRUT	(TOLCO) TOL-STRUT	(TYCO) UNI-STRUT	(UNITRON) U.S. STRUT	(VERSABAR CORP) VERSABAR	WESANCO WESTRUT
<b>Stainless Steel (Grade 304)</b>										
G8121SS	1501 SS304 (10)	PS 100 10 SS	AS-112-SS4 (10)			N/A	N/A	N/A	N/A	N/A
G8122SS	1502 SS304 (20)	PS 100 10 SS	AS-112-SS4 (20)			N/A	N/A	N/A	N/A	N/A
G812H1SS	1521 SS304 (10)	PS 100 H 10 SS	AS-112-RS-SS4 (10)			N/A	N/A	N/A	N/A	N/A
G812H2SS	1522 SS304 (20)	PS 100 H 20 SS	AS-112-RS-SS4 (20)			N/A	N/A	N/A	N/A	N/A
G812OS1SS	1511 SS304 (10)	PS 100 EH 10 SS	AS-112-OS-SS4 (10)			N/A	N/A	N/A	N/A	N/A
G812OS2SS	1512 SS304 (20)	PS 100 EH 20 SS	AS-112-OS-SS4 (20)			N/A	N/A	N/A	N/A	N/A
G812LS1SS	1531 SS304 (10)	PS 100 S 10 SS	AS-112-SL-SS4 (10)			N/A	N/A	N/A	N/A	N/A
G812LS2SS	1532 SS304 (20)	PS 100 S 20 SS	AS-112-SL-SS4 (20)			N/A	N/A	N/A	N/A	N/A
G812A1SS	1501A SS304 (10)	PS 100 2T3 10 SS	AS-112A-SS4 (10)			N/A	N/A	N/A	N/A	N/A
G812A2SS	1502A SS304 (20)	PS 100 2T3 20 SS	AS-112A-SS4 (20)			N/A	N/A	N/A	N/A	N/A
G812AOS1SS	1511A SS304 (10)	N/A	AS-112A-OS-SS4 (10)			N/A	N/A	N/A	N/A	N/A
G812AOS2SS	1512A SS304 (20)	N/A	AS-112A-OS-SS4 (20)			N/A	N/A	N/A	N/A	N/A
G812KO1SS	1541 SS304 (10)	PS 100 KO6 10 SS	AS-112-KO-SS4 (10)			N/A	N/A	N/A	N/A	N/A
G812KO2SS	1542 SS304 (20)	PS 100 KO6 20 SS	AS-112-KO-SS4 (20)			N/A	N/A	N/A	N/A	N/A
<b>Stainless Steel (Grade 316)</b>										
G8121SS (316)	1501 SS316 (10)	PS 100 10 SS(316)	AS-112-SS6 (10)			N/A	N/A	UN 600-12 SS316 (10)	N/A	N/A
G8122SS (316)	1502 SS316 (20)	PS 100 20 SS(316)	AS-112-SS6 (20)			N/A	N/A	UN 600-12 SS316 (20)	N/A	N/A
G812H1SS (316)	1521 SS316 (10)	PS 100 H 10 SS(316)	AS-112-RS-SS6 (10)			N/A	N/A	UN 602-12 SS316 (10)	N/A	N/A
G812H2SS (316)	1522 SS316 (20)	PS 100 H 20 SS(316)	AS-112-RS-SS6 (20)			N/A	N/A	UN 602-12 SS316 (20)	N/A	N/A
G812OS1SS (316)	1511 SS316 (10)	PS 100 EH 10 SS(316)	AS-112-OS-SS6 (10)			N/A	N/A	UN 604-12 SS316 (10)	N/A	N/A
G812OS2SS (316)	1512 SS316 (20)	PS 100 EH 20 SS(316)	AS-112-OS-SS6 (20)			N/A	N/A	UN 604-12 SS316 (20)	N/A	N/A
G812LS1SS (316)	1531 SS316 (10)	PS 100 S 10 SS(316)	AS-112-SL-SS6 (10)			N/A	N/A	UN 605-12 SS316 (10)	N/A	N/A
G812LS2SS (316)	1532 SS316 (20)	PS 100 S 20 SS(316)	AS-112-SL-SS6 (20)			N/A	N/A	UN 605-12 SS316 (20)	N/A	N/A
G812A1SS (316)	1501A SS316 (10)	PS 100 2T3 10 SS(316)	AS-112A-SS6 (10)			N/A	N/A	UN 600-12BB SS316 (10)	N/A	N/A
G812A2SS (316)	1502A SS316 (20)	PS 100 2T3 20 SS(316)	AS-112A-SS6 (20)			N/A	N/A	UN 600-12BB SS316 (20)	N/A	N/A
G812AOS1SS (316)	1511A SS316 (10)	N/A	AS-112A-OS-SS6 (10)			N/A	N/A	UN 604-12BB SS316 (10)	N/A	N/A
G812AOS2SS (316)	1512A SS316 (20)	N/A	AS-112A-OS-SS6 (20)			N/A	N/A	UN 604-12BB SS316 (20)	N/A	N/A
G812KO1SS (316)	1541 SS316 (10)	PS 100 KO6 10 SS(316)	AS-112-KO-SS6 (10)			N/A	N/A	UN 606-12 SS316 (10)	N/A	N/A
G812KO2SS (316)	1542 SS316 (20)	PS 100 KO6 20 SS(316)	AS-112-KO-SS6 (20)			N/A	N/A	UN 606-12 SS316 (20)	N/A	N/A
<b>Aluminum Extruded</b>										
G-8121AL	1501 AL (10)	PS 100 10 AL	AS-112-AL (10)	S9AL (10)		N/A	N/A	N/A	N/A	N/A
G8122AL	1502 AL (20)	PS 100 20 AL	AS-112-AL (20)	S9AL (20)		N/A	N/A	N/A	N/A	N/A
G812H1AL	1521 AL (10)	PS 100 H 10 AL	AS-112-RS-AL (10)	S9H112AL (10)		N/A	N/A	N/A	N/A	N/A
G812H2AL	1522 AL (20)	PS 100 H 20 AL	AS-112-RS-AL (20)	S9H112AL (20)		N/A	N/A	N/A	N/A	N/A
G812OS1AL	1511 AL (10)	PS 100 EH 10 AL	AS-112-OS-AL (10)	S9SL2AL (10)		N/A	N/A	N/A	N/A	N/A
G812OS2AL	1512 AL (20)	PS 100 EH 20 AL	AS-112-OS-AL (20)	S9SL2AL (20)		N/A	N/A	N/A	N/A	N/A
G812LS1AL	1531 AL (10)	PS 100 S 10 AL	AS-112-SL-AL (10)	S9SL4AL (10)		N/A	N/A	N/A	N/A	N/A
G812LS2AL	1532 AL (20)	PS 100 S 20 AL	AS-112-SL-AL (20)	S9SL4AL (20)		N/A	N/A	N/A	N/A	N/A
G812A1AL	1501A AL (10)	PS 100 2T3 10 AL	AS-112A-AL (10)	S9BB-AL (10)		N/A	N/A	N/A	N/A	N/A
G812A2AL	1502A AL (20)	PS 100 2T3 20 AL	AS-112A-AL (20)	S9BB-AL (20)		N/A	N/A	N/A	N/A	N/A
G812AOS1AL	1511A AL (10)	N/A	AS-112A-OS-AL (10)			N/A	N/A	N/A	N/A	N/A
G812AOS2AL	1512A AL (20)	N/A	AS-112A-OS-AL (20)			N/A	N/A	N/A	N/A	N/A
G812KO1AL	1541 AL (10)	PS 100 KO6 10 AL	AS-112-KO-AL (10)	S9KO6AL (10)		N/A	N/A	N/A	N/A	N/A
G812KO2AL	1542 AL (20)	PS 100 KO6 20 AL	AS-112-KO-AL (20)	S9KO6AL (20)		N/A	N/A	N/A	N/A	N/A
<b>PVC Coated (Galvanized or Black)</b>										
G8121PVC	N/A	N/A	AS-112-PVC (10)			N/A	N/A	UN 600-12 PVC (10)	N/A	N/A
G8122PVC	N/A	N/A	AS-112-PVC (20)			N/A	N/A	UN 600-12 PVC (20)	N/A	N/A
G812H1PVC	N/A	N/A	AS-112-RS-PVC (10)			N/A	N/A	UN 602-12 PVC (10)	N/A	N/A
G812H2PVC	N/A	N/A	AS-112-RS-PVC (20)			N/A	N/A	UN 602-12 PVC (20)	N/A	N/A
G812OS1PVC	N/A	N/A	AS-112-OS-PVC (10)			N/A	N/A	UN 604-12 PVC (10)	N/A	N/A
G812OS2PVC	N/A	N/A	AS-112-OS-PVC (20)			N/A	N/A	UN 604-12 PVC (20)	N/A	N/A
G812LS1PVC	N/A	N/A	AS-112-SL-PVC (10)			N/A	N/A	UN 605-12 PVC (10)	N/A	N/A
G812LS2PVC	N/A	N/A	AS-112-SL-PVC (20)			N/A	N/A	UN 605-12 PVC (20)	N/A	N/A
G812A1PVC	N/A	N/A	AS-112A-PVC (10)			N/A	N/A	UN 600-12BB PVC (10)	N/A	N/A
G812A2PVC	N/A	N/A	AS-112A-PVC (20)			N/A	N/A	UN 600-12BB PVC (20)	N/A	N/A
G812AOS1PVC	N/A	N/A	AS-112A-OS-PVC (10)			N/A	N/A	UN 604-12BB PVC (10)	N/A	N/A
G812AOS2PVC	N/A	N/A	AS-112A-OS-PVC (20)			N/A	N/A	UN 604-12BB PVC (20)	N/A	N/A
G812KO1PVC	N/A	N/A	AS-112-KO-PVC (10)			N/A	N/A	UN 606-12 PVC (10)	N/A	N/A
G812KO2PVC	N/A	N/A	AS-112-KO-PVC (20)			N/A	N/A	UN 606-12 PVC (20)	N/A	N/A
<b>Pre-Galvanized - G712 - 2-7/16" x 1-5/8"</b>										
G7121	1601 PG (10)	PS 150 10 PG	AS-122-PG (10)	S1G (10)	E1200 10PG	D-12 10	P5500 10PG	UN 500-12 PG (10)	N/A	W-100 PRE-GALV (10)
G7122	1602 PG (20)	PS 150 20 PG	AS-122-PG (20)	S1G (20)	E1200 20PG	D-12 20	P5500 20PG	UN 500-12 PG (20)	N/A	W-100 PRE-GALV (20)
G712H1	1621 PG (10)	PS 150 H 10 PG	AS-122-RS-PG (10)	S1H112G (10)	N/A	N/A	P5500 HS 10PG	UN 502-12 PG (10)	N/A	W-100-H PRE-GALV (10)
G712H2	1622 PG (20)	PS 150 H 20 PG	AS-122-RS-PG (20)	S1H112G (20)	N/A	N/A	P5500 HS 20PG	UN 502-12 PG (20)	N/A	W-100-H PRE-GALV (20)
G712OS1	1611 PG (10)	PS 150 EH 10 PG	AS-122-OS-PG (10)	S1SL2G (10)	E1200-HS 10PG	N/A	P5500 T 10PG	UN 504-12 PG (10)	N/A	W-100-SS PRE-GALV (10)
G712OS2	1612 PG (20)	PS 150 EH 20 PG	AS-122-OS-PG (20)	S1SL2G (20)	E1200-HS 20PG	N/A	P5500 T 20PG	UN 504-12 PG (20)	N/A	W-100-SS PRE-GALV (20)
G712LS1	1631 PG (10)	PS 150 S 10 PG	AS-122-SL-PG (10)	S1SL4G (10)	N/A	N/A	P5500 SL 10PG	UN 505-12 PG (10)	N/A	W-100-SL PRE-GALV (10)
G712LS2	1632 PG (20)	PS 150 S 20 PG	AS-122-SL-PG (20)	S1SL4G (20)	N/A	N/A	P5500 SL 20PG	UN 505-12 PG (20)	N/A	W-100-SL PRE-GALV (20)
G712A1	1601A PG (10)	PS 150 2T3 10 PG	AS-122A-PG (10)	S1BBG (10)	E1202 10PG	D-12A 10	P5501 10PG	UN 500-12BB PG (10)	N/A	W-101 PRE-GALV (10)
G712A2	1602A PG (20)	PS 150 2T3 20 PG	AS-122A-PG (20)	S1BBG (20)	E1202 20PG	D-12A 20	P5501 20PG	UN 500-12BB PG (20)	N/A	W-101 PRE-GALV (20)
G712AOS1	1611A PG (10)	PS 150 2T3 EH 10 PG	AS-122A-OS-PG (10)		E1200A-HS 10PG	N/A	P5501T 10PG	UN 504-12BB PG (10)	N/A	W-101-SS PRE-GALV (10)
G712AOS2	1612A PG (20)	PS 150 2T3 EH 20 PG	AS-122A-OS-PG (20)		E1200A-HS 20PG	N/A	P5501T 20PG	UN 504-12BB PG (20)	N/A	W-101-SS PRE-GALV (20)
G712KO1	1641 PG (10)	PS 150 KO6 10 PG	AS-122-KO-PG (10)	S1KO6G (10)	N/A	N/A	P5500 KO 10PG	UN 506-12 PG (10)	N/A	W-100-KO PRE-GALV (10)
G712KO2	1642 PG (20)	PS 150 KO6 20 PG	AS-122-KO-PG (20)	S1KO6G (20)	N/A	N/A	P5500 KO 20PG	UN 506-12 PG (20)	N/A	W-100-KO PRE-GALV (20)

CROSS REFERENCE



(GREGORY) G-STRUT	(ANVIL INTERNATIONAL) ANVIL STRUT	(COOPER) B-LINE	(CULLY) MINERALLAC	(ELITE) ELITE COMPONENTS	(ERICO) ERI-STRUT	(FLEX STRUT) FLEX STRUT	(FLORIDA STRUT) FLORIDA STRUT	(GS METALS) GLOBE STRUT	(HAYDON) H-STRUT
<b>Green</b>									
G7121POP	AS 150-GR 10	B12 GRN 120	N/A	N/A	D12PGRN10	FS-150-GR-10	N/A	G-7612-GR (10)	H-122-GR X 10
G7122POP	AS 150-GR 20	B12 GRN 240	N/A	N/A	D12PGRN20	FS-150-GR-20	N/A	G-7612-GR (20)	H-122-GR X 20
G712H1POP	AS 150H-GR 10	B12 H17/8 GRN 120	N/A	N/A		FS-150-H-GR-10	N/A	G-7612-PO-GR (10)	H-122-RS-GR X 10
G712H2POP	AS 150H-GR 20	B12 H17/8 GRN 240	N/A	N/A		FS-150-H-GR-20	N/A	G-7612-PO-GR (20)	H-122-RS-GR X 20
G712OS1POP	AS 150EH-GR 10	B12 SH GRN 120	N/A	N/A	D12HS1000GRN	FS-150-SS-GR-10	N/A	N/A	H-122-OS-GR X 10
G712OS2POP	AS 150EH-GR 20	B12 SH GRN 240	N/A	N/A	D12HS2000GRN	FS-150-SS-GR-20	N/A	N/A	H-122-OS-GR X 20
G712LS1POP	AS 150S-GR 10	B12 S GRN 120	N/A	N/A	D12S1000GRN	FS-150-SL-GR-10	N/A	G-7612-SL-GR (10)	H-122-OS3-GR X 10
G712LS2POP	AS 150S-GR 20	B12 S GRN 240	N/A	N/A	D12S2000GRN	FS-150-SL-GR-20	N/A	G-7612-SL-GR (20)	H-122-OS3-GR X 20
G712A1POP	AS 150BTB-GR 10	B12A GRN 120	N/A	N/A		FS-151-GR-10	N/A	G-7612-A-GR (10)	H-122-A-GR X 10
G712A2POP	AS 150BTB-GR 20	B12A GRN 240	N/A	N/A		FS-151-GR-20	N/A	G-7612-A-GR (20)	H-122-A-GR X 20
G712AOS1POP	AS 150EH BTB-GR 10		N/A	N/A			N/A	N/A	
G712AOS2POP	AS 150EH BTB-GR 20		N/A	N/A			N/A	N/A	
G712KO1POP	AS 150KO-GR 10	B12 K06 GRN 120	N/A	N/A		FS-150-KO-GR-10	N/A	N/A	H-122-KO-GR X 10
G712KO2POP	AS 150KO-GR 20	B12 K06 GRN 240	N/A	N/A		FS-150-KO-GR-20	N/A	N/A	H-122-KO-GR X 20
<b>Yellow Zinc Dichromate</b>									
G7121YZ			N/A	N/A	N/A	N/A	N/A	N/A	H-122-ZN X 10
G7122YZ			N/A	N/A	N/A	N/A	N/A	N/A	H-122-ZN X 20
G712H1YZ			N/A	N/A	N/A	N/A	N/A	N/A	H-122-RS-ZN X 10
G712H2YZ			N/A	N/A	N/A	N/A	N/A	N/A	H-122-RS-ZN X 20
G712OS1YZ			N/A	N/A	N/A	N/A	N/A	N/A	H-122-OS-ZN X 10
G712OS2YZ			N/A	N/A	N/A	N/A	N/A	N/A	H-122-OS-ZN X 20
G712LS1YZ			N/A	N/A	N/A	N/A	N/A	N/A	H-122-OS3-ZN X 10
G712LS2YZ			N/A	N/A	N/A	N/A	N/A	N/A	H-122-OS3-ZN X 20
G712A1YZ			N/A	N/A	N/A	N/A	N/A	N/A	H-122-A-ZN X 10
G712A2YZ			N/A	N/A	N/A	N/A	N/A	N/A	H-122-A-ZN X 20
G712AOS1YZ			N/A	N/A	N/A	N/A	N/A	N/A	
G712AOS2YZ			N/A	N/A	N/A	N/A	N/A	N/A	
G712KO1YZ			N/A	N/A	N/A	N/A	N/A	N/A	H-122-KO-ZN X 10
G712KO2YZ			N/A	N/A	N/A	N/A	N/A	N/A	H-122-KO-ZN X 20
<b>Galvannealed (WIZcoat™)</b>									
G7121GN	N/A	N/A	N/A	N/A	N/A	N/A	N/A	N/A	N/A
G7122GN	N/A	N/A	N/A	N/A	N/A	N/A	N/A	N/A	N/A
G712H1GN	N/A	N/A	N/A	N/A	N/A	N/A	N/A	N/A	N/A
G712H2GN	N/A	N/A	N/A	N/A	N/A	N/A	N/A	N/A	N/A
G712OS1GN	N/A	N/A	N/A	N/A	N/A	N/A	N/A	N/A	N/A
G712OS2GN	N/A	N/A	N/A	N/A	N/A	N/A	N/A	N/A	N/A
G712LS1GN	N/A	N/A	N/A	N/A	N/A	N/A	N/A	N/A	N/A
G712LS2GN	N/A	N/A	N/A	N/A	N/A	N/A	N/A	N/A	N/A
G712A1GN	N/A	N/A	N/A	N/A	N/A	N/A	N/A	N/A	N/A
G712A2GN	N/A	N/A	N/A	N/A	N/A	N/A	N/A	N/A	N/A
G712AOS1GN	N/A	N/A	N/A	N/A	N/A	N/A	N/A	N/A	N/A
G712AOS2GN	N/A	N/A	N/A	N/A	N/A	N/A	N/A	N/A	N/A
G712AKO1GN	N/A	N/A	N/A	N/A	N/A	N/A	N/A	N/A	N/A
G712AKO2GN	N/A	N/A	N/A	N/A	N/A	N/A	N/A	N/A	N/A
<b>Plain, Pickled, &amp; Oiled</b>									
G7121PO	AS 150-PL 10	B12 PLN 120	N/A	N/A	N/A	FS-150-PL-10			H-122-PL X 10
G7122PO	AS 150-PL 20	B12 PLN 240	N/A	N/A	N/A	FS-150-PL-20			H-122-PL X 20
G712H1PO	AS 150H-PL 10	B12 H17/8 PLN 120	N/A	N/A	N/A	FS-150-H-PL-10			H-122-RS-PL X 10
G712H2PO	AS 150H-PL 20	B12 H17/8 PLN 240	N/A	N/A	N/A	FS-150-H-PL-20			H-122-RS-PL X 20
G712OS1PO	AS 150EH-PL 10	B12 SH PLN 120	N/A	N/A	N/A	FS-150-SS-PL-10	FS122716-10-PLAIN	N/A	H-122-OS-PL X 10
G712OS2PO	AS 150EH-PL 20	B12 SH PLN 240	N/A	N/A	N/A	FS-150-SS-PL-20	FS122716-20-PLAIN	N/A	H-122-OS-PL X 20
G712LS1PO	AS 150S-PL 10	B12 S PLN 120	N/A	N/A	N/A	FS-150-SL-PL-10			H-122-OS3-PL X 10
G712LS2PO	AS 150S-PL 20	B12 S PLN 240	N/A	N/A	N/A	FS-150-SL-PL-20			H-122-OS3-PL X 20
G712A1PO	AS 150BTB-PL 10	B12A PLN 120	N/A	N/A	N/A	FS-151-PL-10			H-122-A-PL X 10
G712A2PO	AS 150BTB-PL 20	B12A PLN 240	N/A	N/A	N/A	FS-151-PL-20			H-122-A-PL X 20
G712AOS1PO	AS 150EH BTB-PL 10		N/A	N/A	N/A		FS122716BB-10-PLAIN	N/A	
G712AOS2PO	AS 150EH BTB-PL 20		N/A	N/A	N/A		FS122716BB-20-PLAIN	N/A	
G712AKO1PO	AS 150KO-PL 10		N/A	N/A	N/A	FS-150-KO-PL-10			H-122-KO-PL X 10
G712AKO2PO	AS 150KO-PL 20		N/A	N/A	N/A	FS-150-KO-PL-20			H-122-KO-PL X 20
<b>Stainless Steel Grade 304 (N/A)</b>									
G7121SS	(N/A)		N/A	N/A	N/A	FS-150-ST4-10		N/A	H-122-SS X 10
G7122SS	(N/A)		N/A	N/A	N/A	FS-150-ST4-20		N/A	H-122-SS X 20
G712H1SS	(N/A)		N/A	N/A	N/A	FS-150-H-ST4-10		N/A	H-122-RS-SS X 10
G712H2SS	(N/A)		N/A	N/A	N/A	FS-150-H-ST4-20		N/A	H-122-RS-SS X 20
G712OS1SS	(N/A)		N/A	N/A	N/A	FS-150-SS-ST4-10	FS122716-10-SS	N/A	H-122-OS-SS X 10
G712OS2SS	(N/A)		N/A	N/A	N/A	FS-150-SS-ST4-20	FS122716-20-SS	N/A	H-122-OS-SS X 20
G712LS1SS	(N/A)		N/A	N/A	N/A	FS-150-SL-ST4-10		N/A	H-122-OS3-SS X 10
G712LS2SS	(N/A)		N/A	N/A	N/A	FS-150-SL-ST4-20		N/A	H-122-OS3-SS X 20
G712A1SS	(N/A)		N/A	N/A	N/A	FS-151-ST4-10		N/A	H-122-A-SS X 10
G712A2SS	(N/A)		N/A	N/A	N/A	FS-151-ST4-20		N/A	H-122-A-SS X 20
G712AOS1SS	(N/A)		N/A	N/A	N/A		FS122716BB-10-SS	N/A	
G712AOS2SS	(N/A)		N/A	N/A	N/A		FS122716BB-20-SS	N/A	
G712AKO1SS	(N/A)		N/A	N/A	N/A	FS-150-KO-ST4-10		N/A	H-122-KO-SS X 10
G712AKO2SS	(N/A)		N/A	N/A	N/A	FS-150-KO-ST4-20		N/A	H-122-KO-SS X 20

CROSS REFERENCE

(GREGORY) G-STRUT	(PHD MFG) PHD STRUT	(TYCO / ALLIED) POWER-STRUT	(POWER-UTILITY PRODUCTS) PUPCO	(SASCO) SASCO STRUT	(THOMAS & BETTS) SUPER-STRUT	(TOLCO) TOL-STRUT	(TYCO) UNI-STRUT	(UNITRON) U.S. STRUT	(VERSABAR CORP) VERSABAR	WESANCO WESTRUT
<b>Green</b>										
G7121POP	N/A	PS 150 10 GR	AS-122-GR (10)		E1200 10GR	N/A	P5500 10GR	UN 500-12 GREEN (10)	N/A	W-100 GREEN (10)
G7122POP	N/A	PS 150 20 GR	AS-122-GR (20)		E1200 20GR	N/A	P5500 20GR	UN 500-12 GREEN (20)	N/A	W-100 GREEN (20)
G712H1POP	N/A	PS 150 H 10 GR	AS-122-RS-GR (10)		N/A	N/A	P5500 HS 10GR	UN 500-12 GREEN (10)	N/A	W-100-H GREEN (10)
G712H2POP	N/A	<b>PS 150 H 20 GR</b>	<b>AS-122-RS-GR (20)</b>		<b>N/A</b>	<b>N/A</b>	<b>P5500 HS 20GR</b>	<b>UN 500-12 GREEN (20)</b>	<b>N/A</b>	<b>W-100-H GREEN (20)</b>
G712OS1POP	N/A	PS 150 EH 10 GR	AS-122-OS-GR (10)		E1200-HS 10GR	N/A	P5500 T 10GR	UN 504-12 GREEN (10)	N/A	W-100-SS GREEN (10)
G712OS2POP	N/A	PS 150 EH 20 GR	AS-122-OS-GR (20)		E1200-HS 10GR	N/A	P5500 T 20GR	UN 504-12 GREEN (20)	N/A	W-100-SS GREEN (20)
G712LS1POP	N/A	PS 150 S 10 GR	AS-122-SL-GR (10)		N/A	N/A	P5500 SL 10GR	UN 505-12 GREEN (10)	N/A	W-100-SL GREEN (10)
G712LS2POP	N/A	PS 150 S 20 GR	AS-122-SL-GR (20)		N/A	N/A	P5500 SL 20GR	UN 505-12 GREEN (20)	N/A	W-100-SL GREEN (20)
G712A1POP	N/A	PS 150 2T3 10 GR	AS-122A-GR (10)		E1202 10GR	N/A	P5501 10GR	UN 500-12BB GREEN (10)	N/A	W-101 GREEN (10)
G712A2POP	N/A	PS 150 2T3 20 GR	AS-122A-GR (20)		E1202 20GR	N/A	P5501 20GR	UN 500-12BB GREEN (20)	N/A	W-101 GREEN (20)
G712AOS1POP	N/A	PS 150 2T3 EH 10 GR	AS-122A-OS-GR (10)		E1202-HS 10GR	N/A	P5501T 10GR	UN 504-12BB GREEN (10)	N/A	W-101-SS GREEN (10)
G712AOS2POP	N/A	<b>PS 150 2T3 EH 20 GR</b>	<b>AS-122A-OS-GR (20)</b>		<b>E1202-HS 20GR</b>	<b>N/A</b>	<b>P5501T 20GR</b>	<b>UN 504-12BB GREEN (20)</b>	<b>N/A</b>	<b>W-101-SS GREEN (20)</b>
G712KO1POP	N/A	PS 150 K06 10 GR	AS-122-KO-GR (10)		N/A	N/A	P5500 KO 10GR	UN 506-12 PL GREEN (10)	N/A	W-100-KO GREEN (10)
G712KO2POP	N/A	PS 150 K06 20 GR	AS-122-KO-GR (20)		N/A	N/A	P5500 KO 20GR	UN 506-12 PL GREEN (20)	N/A	W-100-KO GREEN (20)
<b>Yellow Zinc Dichromate</b>										
G7121YZ	N/A	PS 150 10 ZD	AS-122-GD (10)			N/A	N/A	N/A	N/A	
G7122YZ	N/A	PS 150 20 ZD	AS-122-GD (20)			N/A	N/A	N/A	N/A	
G712H1YZ	N/A	PS 150 H 10 ZD	AS-122-RS-GD (10)			N/A	N/A	N/A	N/A	
G712H2YZ	N/A	PS 150 H 20 ZD	AS-122-RS-GD (20)			N/A	N/A	N/A	N/A	
G712OS1YZ	N/A	<b>PS 150 EH 10 ZD</b>	<b>AS-122-OS-GD (10)</b>			<b>N/A</b>	<b>N/A</b>	<b>N/A</b>	<b>N/A</b>	<b>N/A</b>
G712OS2YZ	N/A	<b>PS 150 EH 20 ZD</b>	<b>AS-122-OS-GD (20)</b>			<b>N/A</b>	<b>N/A</b>	<b>N/A</b>	<b>N/A</b>	<b>N/A</b>
G712LS1YZ	N/A	<b>PS 150 S 10 ZD</b>	<b>AS-122-SL-GD (10)</b>			<b>N/A</b>	<b>N/A</b>	<b>N/A</b>	<b>N/A</b>	<b>N/A</b>
G712LS2YZ	N/A	PS 150 S 20 ZD	AS-122-SL-GD (20)			N/A	N/A	N/A	N/A	
G712A1YZ	N/A	PS 150 2T3 10 ZD	AS-122A-GD (10)			N/A	N/A	N/A	N/A	
G712A2YZ	N/A	PS 150 2T3 20 ZD	AS-122A-GD (20)			N/A	N/A	N/A	N/A	
G712AOS1YZ	N/A	PS 150 2T3 EH 10 ZD	AS-122A-OS-GD (10)			N/A	N/A	N/A	N/A	
G712AOS2YZ	N/A	PS 150 2T3 EH 20 ZD	AS-122A-OS-GD (20)			N/A	N/A	N/A	N/A	
G712KO1YZ	N/A	PS 150 K06 10 ZD	AS-122-KO-GD (10)			N/A	N/A	N/A	N/A	
G712KO2YZ	N/A	PS 150 K06 20 ZD	AS-122-KO-GD (20)			N/A	N/A	N/A	N/A	
<b>Galvannealed (WIZcoat™)</b>										
G7121GN	N/A	N/A	N/A	N/A	N/A	N/A	N/A	N/A	N/A	N/A
G7122GN	N/A	N/A	N/A	N/A	N/A	N/A	N/A	N/A	N/A	N/A
G712H1GN	N/A	N/A	N/A	N/A	N/A	N/A	N/A	N/A	N/A	N/A
G712H2GN	N/A	N/A	N/A	N/A	N/A	N/A	N/A	N/A	N/A	N/A
G712OS1GN	N/A	N/A	N/A	N/A	N/A	N/A	N/A	N/A	N/A	N/A
G712OS2GN	N/A	N/A	N/A	N/A	N/A	N/A	N/A	N/A	N/A	N/A
G712LS1GN	N/A	N/A	N/A	N/A	N/A	N/A	N/A	N/A	N/A	N/A
G712LS2GN	N/A	N/A	N/A	N/A	N/A	N/A	N/A	N/A	N/A	N/A
G712A1GN	N/A	N/A	N/A	N/A	N/A	N/A	N/A	N/A	N/A	N/A
G712A2GN	N/A	N/A	N/A	N/A	N/A	N/A	N/A	N/A	N/A	N/A
G712AOS1GN	N/A	N/A	N/A	N/A	N/A	N/A	N/A	N/A	N/A	N/A
G712AOS2GN	N/A	N/A	N/A	N/A	N/A	N/A	N/A	N/A	N/A	N/A
G712AKO1GN	N/A	N/A	N/A	N/A	N/A	N/A	N/A	N/A	N/A	N/A
G712AKO2GN	N/A	N/A	N/A	N/A	N/A	N/A	N/A	N/A	N/A	N/A
<b>Plain, Pickled, &amp; Oiled</b>										
G7121PO	1601 PL (10)	PS 150 10 PL	AS-122-BK (10)	S1P (10)	E1200 10B	N/A	P5500 10PL	UN 500-12 PL (10)	N/A	W-100 PLAIN (10)
G7122PO	1602 PL (20)	PS 150 20 PL	AS-122-BK (20)	S1P (20)	E1200 20B	N/A	P5500 20PL	UN 500-12 PL (20)	N/A	W-100 PLAIN (20)
G712H1PO	1621 PL (10)	PS 150 H 10 PL	AS-122-RS-BK (10)	S1H112P (10)	N/A	N/A	P5500 HS 10PL	UN 502-12 PL (10)	N/A	W-100-H PLAIN (10)
G712H2PO	1622 PL (20)	PS 150 H 20 PL	AS-122-RS-BK (20)	S1H112P (20)	N/A	N/A	P5500 HS 20PL	UN 502-12 PL (20)	N/A	W-100-H PLAIN (20)
G712OS1PO	1611 PL (10)	PS 150 EH 10 PL	AS-122-OS-BK (10)	S1SL2P (10)	E1200-HS 10B	N/A	P5500 T 10PL	UN 504-12 PL (10)	N/A	W-100-SS PLAIN (10)
G712OS2PO	1612 PL (20)	PS 150 EH 20 PL	AS-122-OS-BK (20)	S1SL2P (20)	E1200-HS 20B	N/A	P5500 T 20PL	UN 504-12 PL (20)	N/A	W-100-SS PLAIN (20)
G712LS1PO	1631 PL (10)	PS 150 S 10 PL	AS-122-SL-BK (10)	S1SL4P (10)	N/A	N/A	P5500 SL 10PL	UN 505-12 PL (10)	N/A	W-100-SL PLAIN (10)
G712LS2PO	1632 PL (20)	PS 150 S 20 PL	AS-122-SL-BK (20)	S1SL4P (20)	N/A	N/A	P5500 SL 20PL	UN 505-12 PL (20)	N/A	W-100-SL PLAIN (20)
G712A1PO	1601A PL (10)	PS 150 2T3 10 PL	AS-122A-BK (10)	S1BB-P (10)	E1202 10B	N/A	P5501 10PL	UN 500-12BB PL (10)	N/A	W-101 PLAIN (10)
G712A2PO	1602A PL (20)	PS 150 2T3 20 PL	AS-122A-BK (20)	S1BB-P (20)	E1202 20B	N/A	P5501 20PL	UN 500-12BB PL (20)	N/A	W-101 PLAIN (20)
G712AOS1PO	1611A PL (10)	PS 150 2T3 EH 10 PL	AS-122A-OS-BK (10)		E1202-HS 10B	N/A	P5501T 10PL	UN 504-12BB PL (10)	N/A	W-101-SS PLAIN (10)
G712AOS2PO	1612A PL (20)	PS 150 2T3 EH 20 PL	AS-122A-OS-BK (20)		E1202-HS 20B	N/A	P5501T 20PL	UN 504-12BB PL (20)	N/A	W-101-SS PLAIN (20)
G712AKO1PO	1641 PL (10)	N/A	AS-122-KO-BK (10)		N/A	N/A	P5500 KO 10PL	UN 506-12 PL (10)	N/A	W-100-KO PLAIN (10)
G712AKO2PO	1642 PL (20)	N/A	AS-122-KO-BK (20)		N/A	N/A	P5500 KO 20PL	UN 506-12 PL (20)	N/A	W-100-KO PLAIN (20)
<b>Stainless Steel Grade 304 (N/A)</b>										
G7121SS	1601 SS304 (10)	PS 150 10 SS	AS-122-SS4 (10)			N/A	N/A	N/A	N/A	N/A
G7122SS	1602 SS304 (20)	PS 150 20 SS	AS-122-SS4 (20)			N/A	N/A	N/A	N/A	N/A
G712H1SS	1621 SS304 (10)	PS 150 H 10 SS	AS-122-RS-SS4 (10)			N/A	N/A	N/A	N/A	N/A
G712H2SS	1622 SS304 (20)	PS 150 H 20 SS	AS-122-RS-SS4 (20)			N/A	N/A	N/A	N/A	N/A
G712OS1SS	1611 SS304 (10)	PS 150 EH 10 SS	AS-122-OS-SS4 (10)			N/A	N/A	N/A	N/A	N/A
G712OS2SS	1612 SS304 (20)	PS 150 EH 20 SS	AS-122-OS-SS4 (20)			N/A	N/A	N/A	N/A	N/A
G712LS1SS	1631 SS304 (10)	PS 150 S 10 SS	AS-122-SL-SS4 (10)			N/A	N/A	N/A	N/A	N/A
G712LS2SS	1632 SS304 (20)	PS 150 S 20 SS	AS-122-SL-SS4 (20)			N/A	N/A	N/A	N/A	N/A
G712A1SS	1601A SS304 (10)	PS 150 2T3 10 SS	AS-122A-SS4 (10)			N/A	N/A	N/A	N/A	N/A
G712A2SS	1602A SS304 (20)	PS 150 2T3 20 SS	AS-122A-SS4 (20)			N/A	N/A	N/A	N/A	N/A
G712AOS1SS	1611A SS304 (10)	PS 150 2T3 EH 10 SS	AS-122A-OS-SS4 (10)			N/A	N/A	N/A	N/A	N/A
G712AOS2SS	1612A SS304 (20)	PS 150 2T3 EH 20 SS	AS-122A-OS-SS4 (20)			N/A	N/A	N/A	N/A	N/A
G712AKO1SS	1641 SS304 (10)	N/A	AS-122-KO-SS4 (10)			N/A	N/A	N/A	N/A	N/A
G712AKO2SS	1642 SS304 (20)	N/A	AS-122-KO-SS4 (20)			N/A	N/A	N/A	N/A	N/A

(GREGORY) G-STRUT	(ANVIL INTERNATIONAL) ANVIL STRUT	(COOPER) B-LINE	(CULLY) MINERALLAC	(ELITE) ELIITE COMPONENTS	(ERICO) ERI-STRUT	(FLEX STRUT) FLEX STRUT	(FLORIDA STRUT) FLORIDA STRUT	(GS METALS) GLOBE STRUT	(HAYDON) H-STRUT
<b>Stainless Steel Grade 316</b>									
G7121SS (316)	(N/A)		N/A	N/A	N/A	N/A		N/A	H-122-SS(316) X 10
G7122SS (316)	(N/A)		N/A	N/A	N/A	N/A		N/A	H-122-SS(316) X 20
G712H1SS (316)	(N/A)		N/A	N/A	N/A	N/A		N/A	H-122-RS-SS(316) X 10
G712H2SS (316)	(N/A)		N/A	N/A	N/A	N/A		N/A	H-122-RS-SS(316) X 20
G7120S1SS (316)	(N/A)		N/A	N/A	N/A	N/A	FS122716-10-SS(316)	N/A	H-122-OS-SS(316) X 10
G7120S2SS (316)	(N/A)		N/A	N/A	N/A	N/A	FS122716-20-SS(316)	N/A	H-122-OS-SS(316) X 20
G712LS1SS (316)	(N/A)		N/A	N/A	N/A	N/A		N/A	H-122-OS3-SS(316) X 10
G712LS2SS (316)	(N/A)		N/A	N/A	N/A	N/A		N/A	H-122-OS3-SS(316) X 20
G712A1SS (316)	(N/A)		N/A	N/A	N/A	N/A		N/A	H-122-A-SS(316) X 10
G712A2SS (316)	(N/A)		N/A	N/A	N/A	N/A		N/A	H-122-A-SS(316) X 20
G712AOS1SS (316)	(N/A)		N/A	N/A	N/A	N/A	FS122716BB-10-SS(316)	N/A	
G712AOS2SS (316)	(N/A)		N/A	N/A	N/A	N/A	FS122716BB-20-SS(316)	N/A	
G712AK01SS (316)	(N/A)		N/A	N/A	N/A	N/A		N/A	H-122-KO-SS(316) X 10
G712AK02SS (316)	(N/A)		N/A	N/A	N/A	N/A		N/A	H-122-KO-SS(316) X 20
<b>Aluminum Extruded</b>									
G7121AL (N/A)		B12 AL 120	N/A	N/A	N/A	FS-150-AL-10		G-7612-AL (10)	
G7122AL (N/A)		B12 AL 240	N/A	N/A	N/A	FS-150-AL-20		G-7612-AL (20)	
G712H1AL (N/A)		B12 H17/8 AL 120	N/A	N/A	N/A	FS-150-H-AL-10		N/A	
G712H2AL (N/A)		B12 H17/8 AL 240	N/A	N/A	N/A	FS-150-H-AL-20		N/A	
G7120S1AL (N/A)		B12 SH AL 120	N/A	N/A	N/A	FS-150-SS-AL-10	FS122716-10-ALUMINUM	N/A	
G7120S2AL (N/A)		B12 SH AL 240	N/A	N/A	N/A	FS-150-SS-AL-20	FS122716-20-ALUMINUM	N/A	
G712LS1AL (N/A)		B12 SHA AL 120	N/A	N/A	N/A	FS-150-SL-AL-10		N/A	
G712LS2AL (N/A)		B12 SHA AL 240	N/A	N/A	N/A	FS-150-SL-AL-20		N/A	
G712A1AL (N/A)		B12A AL 120	N/A	N/A	N/A	FS-151-AL-10		N/A	
G712A2AL (N/A)		B12A AL 240	N/A	N/A	N/A	FS-151-AL-20		N/A	
G712AOS1AL (N/A)			N/A	N/A	N/A		FS122716BB-10-ALUMINUM	N/A	
G712AOS2AL (N/A)			N/A	N/A	N/A		FS122716BB-20-ALUMINUM	N/A	
G712AK01AL (N/A)			N/A	N/A	N/A	FS-150-KO-AL-10		N/A	
G712AK02AL (N/A)			N/A	N/A	N/A	FS-150-KO-AL-20		N/A	
<b>Hot-dipped Galvanized</b>									
G7121HDG		B12 HDG 120	N/A	N/A	N/A	FS-150-HD-10		G-7612-HDG (10)	H-122-HDG X 10
G7122HDG		B12 HDG 240	N/A	N/A	N/A	FS-150-HD-20		G-7612-HDG (20)	H-122-HDG X 20
G712H1HDG		B12 H17/8 HDG 120	N/A	N/A	N/A	FS-150-H-HD-10		G-7612-PO-HDG (10)	H-122-RS-HDG X 10
G712H2HDG		B12 H17/8 HDG 240	N/A	N/A	N/A	FS-150-H-HD-20		G-7612-PO-HDG (20)	H-122-RS-HDG X 20
G7120S1HDG		B12 SH HDG 120	N/A	N/A	N/A	FS-150-SS-HD-10	FS122716-10-HD	N/A	H-122-OS-HDG X 10
G7120S2HDG		B12 SH HDG 240	N/A	N/A	N/A	FS-150-SS-HD-20	FS122716-20-HD	N/A	H-122-OS-HDG X 20
G712LS1HDG		B12 S HDG 120	N/A	N/A	N/A	FS-150-SL-HD-10		G-7612-SL-HDG (10)	H-122-OS3-HDG X 10
G712LS2HDG		B12 S HDG 240	N/A	N/A	N/A	FS-150-SL-HD-20		G-7612-SL-HDG (20)	H-122-OS3-HDG X 20
G712A1HDG		B12A HDG 120	N/A	N/A	N/A	FS-151-HD-10		G-7612-A-HDG (10)	H-122-A-HDG X 10
G712A2HDG		B12A HDG 240	N/A	N/A	N/A	FS-151-HD-20		G-7612-A-HDG (20)	H-122-A-HDG X 20
G712AOS1HDG			N/A	N/A	N/A		FS122716BB-10-HD	N/A	
G712AOS2HDG			N/A	N/A	N/A		FS122716BB-20-HD	N/A	
G712AK01HDG			N/A	N/A	N/A	FS-150-KO-HD-10		N/A	H-122-KO-HDG X 10
G712AK02HDG			N/A	N/A	N/A	FS-150-KO-HD-20		N/A	H-122-KO-HDG X 20
<b>PVC Coated (Galvanized or Black)</b>									
G7121PVC		N/A	N/A	N/A	N/A	N/A	N/A	N/A	
G7122PVC		N/A	N/A	N/A	N/A	N/A	N/A	N/A	
G712H1PVC		N/A	N/A	N/A	N/A	N/A	N/A	N/A	
G712H2PVC		N/A	N/A	N/A	N/A	N/A	N/A	N/A	
G7120S1PVC		N/A	N/A	N/A	N/A	N/A	N/A	N/A	
G7120S2PVC		N/A	N/A	N/A	N/A	N/A	N/A	N/A	
G712LS1PVC		N/A	N/A	N/A	N/A	N/A	N/A	N/A	
G712LS2PVC		N/A	N/A	N/A	N/A	N/A	N/A	N/A	
G712A1PVC		N/A	N/A	N/A	N/A	N/A	N/A	N/A	
G712A2PVC		N/A	N/A	N/A	N/A	N/A	N/A	N/A	
G712AOS1PVC		N/A	N/A	N/A	N/A	N/A	N/A	N/A	
G712AOS2PVC		N/A	N/A	N/A	N/A	N/A	N/A	N/A	
G712AK01PVC		N/A	N/A	N/A	N/A	N/A	N/A	N/A	
G712AK02PVC		N/A	N/A	N/A	N/A	N/A	N/A	N/A	
<b>Pre-Galvanized - G-582 - 1-5/8" x 1-5/8"</b>									
G5821	AS 200-PG 10	B22 GALV 120	N/A	N/A	A121000PG	FS-200-PG-10		G-5812-PG (10)	H-132-PG X 10
G5822	AS 200-PG 20	B22 GALV 240	N/A	N/A	A122000PG	FS-200-PG-20		G-5812-PG (20)	H-132-PG X 20
G582H1	AS 200H-PG 10	B22 H17/8 GALV 120	N/A	N/A		FS-200-H-PG-10	FS12158-H-10-PRE-GALV	G-5812-PO-PG (10)	H-132-RS-PG X 10
G582H2	AS 200H-PG 20	B22 H17/8 GALV 240	N/A	N/A		FS-200-H-PG-20	FS12158-H-10-PRE-GALV	G-5812-PO-PG (20)	H-132-RS-PG X 20
G5820S1	AS 200EH-PG 10	B22 SH GALV 120	N/A	ES A12 UST001	A12HS1000PG	FS-200-SS-PG-10	FS12158-10-PRE-GALV	G-5812-SH-PG (10)	H-132-OS-PG X 10
G5820S2	AS 200EH-PG 20	B22 SH GALV 240	N/A	ES A12 UST002	A12HS2000PG	FS-200-SS-PG-20	FS12158-20-PRE-GALV	G-5812-SH-PG (20)	H-132-OS-PG X 20
G582LS1	AS 200S-PG 10	B22 S GALV 120	N/A	N/A		FS-200-SL-PG-10		G-5812-SL-PG (10)	H-132-OS3-PG X 10
G582LS2	AS 200S-PG 20	B22 S GALV 240	N/A	N/A		FS-200-SL-PG-20		G-5812-SL-PG (20)	H-132-OS3-PG X 20
G582A1	AS 200BTB-PG 10	B22A GALV 120	N/A	N/A	A12A1000PG	FS-201-PG-10		G-5812-A-PG (10)	H-132-A-PG X 10
G582A2	AS 200BTB-PG 20	B22A GALV 240	N/A	N/A	A12A2000PG	FS-201-PG-20		G-5812-A-PG (20)	H-132-A-PG X 20
G582AOS1	AS 200EH BTB-PG 10	B22A SHA GALV 120	N/A	N/A	A12AHS100PG		FS12158BB-10-PRE-GALV	N/A	
G582AOS2	AS 200EHBTB-PG 20	B22A SHA GALV 240	N/A	N/A	A12AHS200PG		FS12158BB-20-PRE-GALV	N/A	
G582K01	AS 200KO-PG 10	B22 K06 GALV 120	N/A	N/A		FS-200-KO-PG-10		G-5812-KO-PG (10)	H-132-KO-PG X 10
G582K02	AS 200KO-PG 20	B22 K06 GALV 240	N/A	N/A		FS-200-KO-PG-20		G-5812-KO-PG (20)	H-132-KO-PG X 20

CROSS REFERENCE

(GREGORY) G-STRUT	(PHD MFG) PHD STRUT	(TYCO / ALLIED) POWER-STRUT	(POWER-UTILITY PRODUCTS) PUPCO	(SASCO) SASCO STRUT	(THOMAS & BETTS) SUPER-STRUT	(TOLCO) TOL-STRUT	(TYCO) UNI-STRUT	(UNITRON) U.S. STRUT	(VERSABAR CORP) VERSABAR	WESANCO WESTRUT
<b>Stainless Steel Grade 316</b>										
G7121SS (316)	1601 SS316 (10)	PS 150 10 SS(316)	AS-122-SS6 (10)				N/A	UN 500-12 SS316 (10)	N/A	N/A
G7122SS (316)	1602 SS316 (20)	PS 150 20 SS(316)	AS-122-SS6 (20)				N/A	UN 500-12 SS316 (20)	N/A	N/A
G712H1SS (316)	1621 SS316 (10)	PS 150 H 10 SS(316)	AS-122-RS-SS6 (10)				N/A	UN 502-12 SS316 (10)	N/A	N/A
G712H2SS (316)	1622 SS316 (20)	PS 150 H 20 SS(316)	AS-122-RS-SS6 (20)				N/A	UN 502-12 SS316 (20)	N/A	N/A
G712OS1SS (316)	1611 SS316 (10)	PS 150 EH 10 SS(316)	AS-122-OS-SS6 (10)				N/A	UN 504-12 SS316 (10)	N/A	N/A
G712OS2SS (316)	1612 SS316 (20)	PS 150 EH 20 SS(316)	AS-122-OS-SS6 (20)				N/A	UN 504-12 SS316 (20)	N/A	N/A
G712LS1SS (316)	1631 SS316 (10)	PS 150 S 10 SS(316)	AS-122-SL-SS6 (10)				N/A	UN 505-12 SS316 (10)	N/A	N/A
G712LS2SS (316)	1632 SS316 (20)	PS 150 S 20 SS(316)	AS-122-SL-SS6 (20)				N/A	UN 505-12 SS316 (20)	N/A	N/A
G712A1SS (316)	1601A SS316 (10)	PS 150 2T3 10 SS(316)	AS-122A-SS6 (10)				N/A	UN 500-12BB SS316 (10)	N/A	N/A
G712A2SS (316)	1602A SS316 (20)	PS 150 2T3 20 SS(316)	AS-122A-SS6 (20)				N/A	UN 500-12BB SS316 (20)	N/A	N/A
G712AOS1SS (316)	1611A SS316 (10)	PS 150 2T3 EH 10 SS(316)	AS-122A-OS-SS6 (10)				N/A	UN 504-12BB SS316 (10)	N/A	N/A
G712AOS2SS (316)	1612A SS316 (20)	PS 150 2T3 EH 20 SS(316)	AS-122A-OS-SS6 (20)				N/A	UN 504-12BB SS316 (20)	N/A	N/A
G712AKO1SS (316)	1641 SS316 (10)	N/A	AS-122-KO-SS6 (10)				N/A	UN 506-12 SS316 (10)	N/A	N/A
G712AKO2SS (316)	1642 SS316 (20)	N/A	AS-122-KO-SS6 (20)				N/A	UN 506-12 SS316 (20)	N/A	N/A
<b>Aluminum Extruded</b>										
G7121AL (N/A)	1601 AL (10)	PS 150 10 AL	AS-122-AL (10)	S1AL (10)	E1200 10AL	N/A	N/A	N/A	N/A	N/A
G7122AL (N/A)	1602 AL (20)	PS 150 20 AL	AS-122-AL (20)	S1AL(316) (20)	E1200 20AL	N/A	N/A	N/A	N/A	N/A
G712H1AL (N/A)	1621 AL (10)	PS 150 H 10 AL	AS-122-RS-AL (10)	S1H12AL (10)	N/A	N/A	N/A	N/A	N/A	N/A
G712H2AL (N/A)	1622 AL (20)	PS 150 H 20 AL	AS-122-RS-AL (20)	S1H12AL (20)	N/A	N/A	N/A	N/A	N/A	N/A
G712OS1AL (N/A)	1611 AL (10)	PS 150 EH 10 AL	AS-122-OS-AL (10)	S1SL2AL (10)	E1200-HS 10AL	N/A	N/A	N/A	N/A	N/A
G712OS2AL (N/A)	1612 AL (20)	PS 150 EH 20 AL	AS-122-OS-AL (20)	S1SL2AL (20)	E1200-HS 20AL	N/A	N/A	N/A	N/A	N/A
G712LS1AL (N/A)	1631 AL (10)	PS 150 S 10 AL	AS-122-SL-AL (10)	S1SL4AL (10)	N/A	N/A	N/A	N/A	N/A	N/A
G712LS2AL (N/A)	1632 AL (20)	PS 150 S 20 AL	AS-122-SL-AL (20)	S1SL4AL (20)	N/A	N/A	N/A	N/A	N/A	N/A
G712A1AL (N/A)	1601A AL (10)	PS 150 2T3 10 AL	AS-122A-AL (10)	S1BB-AL (10)	E1202 10AL	N/A	N/A	N/A	N/A	N/A
G712A2AL (N/A)	1602A AL (20)	PS 150 2T3 20 AL	AS-122A-AL (20)	S1BB-AL (20)	E1202 20AL	N/A	N/A	N/A	N/A	N/A
G712AOS1AL (N/A)	1611A AL (10)	PS 150 2T3 EH 10 AL	AS-122A-OS-AL (10)	E1202HS 10AL	N/A	N/A	N/A	N/A	N/A	N/A
G712AOS2AL (N/A)	1612A AL (20)	PS 150 2T3 EH 20 AL	AS-122A-OS-AL (20)	E1202HS 20AL	N/A	N/A	N/A	N/A	N/A	N/A
G712AKO1AL (N/A)	1641 AL (10)	N/A	AS-122-KO-AL (10)	N/A	N/A	N/A	N/A	N/A	N/A	N/A
G712AKO2AL (N/A)	1642 AL (20)	N/A	AS-122-KO-AL (20)	N/A	N/A	N/A	N/A	N/A	N/A	N/A
<b>Hot-dipped Galvanized</b>										
G7121HDG	N/A	PS 150 10 HG	AS-122-HD (10)	S1HG (10)	E1200 10HDG	N/A	P5500 10HG	UN 500-12 HDGAF (10)	N/A	W-100 HDGAF (10)
G7122HDG	N/A	PS 150 20 HG	AS-122-HD (20)	S1HG (20)	E1200 20HDG	N/A	P5500 20HG	UN 500-12 HDGAF (20)	N/A	W-100 HDGAF (20)
G712H1HDG	N/A	PS 150 H 10 HG	AS-122-RS-HD (10)	S1H12HG (10)	N/A	N/A	P5500 HS 10HG	UN 502-12 HDGAF (10)	N/A	W-100-H HDGAF (10)
G712H2HDG	N/A	PS 150 H 20 HG	AS-122-RS-HD (20)	S1H12HG (20)	N/A	N/A	P5500 HS 20HG	UN 502-12 HDGAF (20)	N/A	W-100-H HDGAF (20)
G712OS1HDG	N/A	PS 150 EH 10 HG	AS-122-OS-HD (10)	S1SL2HG (10)	E1200HS 10HDG	N/A	P5500 T 10HG	UN 504-12 HDGAF (10)	N/A	W-100-SS HDGAF (10)
G712OS2HDG	N/A	PS 150 EH 20 HG	AS-122-OS-HD (20)	S1SL2HG (20)	E1200HS 20HDG	N/A	P5500 T 20HG	UN 504-12 HDGAF (20)	N/A	W-100-SS HDGAF (20)
G712LS1HDG	N/A	PS 150 S 10 HG	AS-122-SL-HD (10)	S1SL4HG (10)	N/A	N/A	P5500 SL 10HG	UN 505-12 HDGAF (10)	N/A	W-100-SL HDGAF (10)
G712LS2HDG	N/A	PS 150 S 20 HG	AS-122-SL-HD (20)	S1SL4HG (20)	N/A	N/A	P5500 SL 20HG	UN 505-12 HDGAF (20)	N/A	W-100-SL HDGAF (20)
G712A1HDG	N/A	PS 150 2T3 10 HG	AS-122A-HD (10)	S1BB-HG (10)	E1202 10HDG	N/A	P5501 10HG	UN 500-12BB HDGAF (10)	N/A	W-101 HDGAF (10)
G712A2HDG	N/A	PS 150 2T3 20 HG	AS-122A-HD (20)	S1BB-HG (20)	E1202 20HDG	N/A	P5501 20HG	UN 500-12BB HDGAF (20)	N/A	W-101 HDGAF (20)
G712AOS1HDG	N/A	PS 150 2T3 EH 10 HG	AS-122A-OS-HD (10)	E1202HS 10HDG	N/A	N/A	P5501T 10HG	UN 504-12BB HDGAF (10)	N/A	W-101-SS HDGAF (10)
G712AOS2HDG	N/A	PS 150 2T3 EH 20 HG	AS-122A-OS-HD (20)	E1202HS 20HDG	N/A	N/A	P5501T 20HG	UN 504-12BB HDGAF (20)	N/A	W-101-SS HDGAF (20)
G712AKO1HDG	N/A	N/A	AS-122-KO-HD (10)	N/A	N/A	N/A	P5500 KO 10HG	UN 506-12 HDGAF (10)	N/A	W-100-KO HDGAF (10)
G712AKO2HDG	N/A	N/A	AS-122-KO-HD (20)	N/A	N/A	N/A	P5500 KO 20HG	UN 506-12 HDGAF (20)	N/A	W-100-KO HDGAF (20)
<b>PVC Coated (Galvanized or Black)</b>										
G7121PVC	N/A	N/A	AS-122-PVC (10)		E1200 10PVC	N/A	N/A	UN 500-12 PVC (10)	N/A	
G7122PVC	N/A	N/A	AS-122-PVC (20)		E1200 20PVC	N/A	N/A	UN 500-12 PVC (20)	N/A	
G712H1PVC	N/A	N/A	AS-122-RS-PVC (10)		N/A	N/A	N/A	UN 502-12 PVC (10)	N/A	
G712H2PVC	N/A	N/A	AS-122-RS-PVC (20)		N/A	N/A	N/A	UN 502-12 PVC (20)	N/A	
G712OS1PVC	N/A	N/A	AS-122-OS-PVC (10)		E1200HS 10PVC	N/A	N/A	UN 504-12 PVC (10)	N/A	
G712OS2PVC	N/A	N/A	AS-122-OS-PVC (20)		E1200HS 20PVC	N/A	N/A	UN 504-12 PVC (20)	N/A	
G712LS1PVC	N/A	N/A	AS-122-SL-PVC (10)		N/A	N/A	N/A	UN 505-12 PVC (10)	N/A	
G712LS2PVC	N/A	N/A	AS-122-SL-PVC (20)		N/A	N/A	N/A	UN 505-12 PVC (20)	N/A	
G712A1PVC	N/A	N/A	AS-122A-PVC (10)		E1202 10PVC	N/A	N/A	UN 500-12BB PVC (10)	N/A	
G712A2PVC	N/A	N/A	AS-122A-PVC (20)		E1202 20PVC	N/A	N/A	UN 500-12BB PVC (20)	N/A	
G712AOS1PVC	N/A	N/A	AS-122A-OS-PVC (10)		E1202HS 10PVC	N/A	N/A	UN 504-12BB PVC (10)	N/A	
G712AOS2PVC	N/A	N/A	AS-122A-OS-PVC (20)		E1202HS 20PVC	N/A	N/A	UN 504-12BB PVC (20)	N/A	
G712AKO1PVC	N/A	N/A	AS-122-KO-PVC (10)		N/A	N/A	N/A	UN 506-12 PVC (10)	N/A	
G712AKO2PVC	N/A	N/A	AS-122-KO-PVC (20)		N/A	N/A	N/A	UN 506-12 PVC (20)	N/A	
<b>Pre-Galvanized - G-582 - 1-5/8" x 1-5/8"</b>										
G5821	1001 PG (10)	PS 200 10 PG	AS-132-PG (10)	S2G (10)	A1200 10PG	A-12 10	P1000 10PG	UN 400-12 PG (10)	VA-1 EG (10)	W-200 PRE-GALV (10)
G5822	1002 PG (20)	PS 200 20 PG	AS-132-PG (20)	S2G (20)	A1200 20PG	A-12 20	P1000 20PG	UN 400-12 PG (20)	VA-1 EG (20)	W-200 PRE-GALV (20)
G582H1	1021 PG (10)	PS 200 H 10 PG	AS-132-RS-PG (10)	S2H12G (10)	A1200-H 10PG	N/A	P1000 HS 10PG	UN 402-12 PG (10)	VA-1P1.87 EG (10)	W-200-H-PRE-GALV (10)
G582H2	1022 PG (20)	PS 200 H 20 PG	AS-132-RS-PG (20)	S2H12G (20)	A1200-H 20PG	N/A	P1000 HS 20PG	UN 402-12 PG (20)	VA-1P1.87 EG (20)	W-200-H-PRE-GALV (20)
G582OS1	1011 PG (10)	PS 200 EH 10 PG	AS-132-OS-PG (10)	S2SL2G (10)	A1200-HS 10PG	N/A	P1000 T 10PG	UN 404-12 PG (10)	VA-1PLH EG (10)	W-200-SS PRE-GALV (10)
G582OS2	1012 PG (20)	PS 200 EH 20 PG	AS-132-OS-PG (20)	S2SL2G (20)	A1200-HS 20PG	N/A	P1000 T 20PG	UN 404-12 PG (20)	VA-1PLH EG (20)	W-200-SS PRE-GALV (20)
G582LS1	1031 PG (10)	PS 200 S 10 PG	AS-132-SL-PG (10)	S2SL4G (10)	A1200-S 10PG	N/A	P1000 SL 10PG	UN 405-12 PG (10)	VA-1P3S EG (10)	W-200-SL PRE-GALV (10)
G582LS2	1032 PG (20)	PS 200 S 20 PG	AS-132-SL-PG (20)	S2SL4G (20)	A1200-S 20PG	N/A	P1000 SL 20PG	UN 405-12 PG (20)	VA-1P3S EG (20)	W-200-SL PRE-GALV (20)
G582A1	1001A PG (10)	PS 200 2T3 10 PG	AS-132A-PG (10)	S2BB-G (10)	A1202 10PG	A-12A 10	P1001 10PG	UN 400-12BB PG (10)	VA-1201 EG (10)	W-201 PRE-GALV (10)
G582A2	1002A PG (20)	PS 200 2T3 20 PG	AS-132A-PG (20)	S2BB-G (20)	A1202 20PG	A-12A 20	P1001 20PG	UN 400-12BB PG (20)	VA-1201 EG (20)	W-201 PRE-GALV (20)
G582AOS1	1011A PG (10)	N/A	AS-132A-OS-PG (10)		A1202HS 10PG	N/A	P1001T 10PG	UN 404-12BB PG (10)	VA-1201PLH EG (10)	W-201-SS PRE-GALV (10)
G582AOS2	1012A PG (20)	N/A	AS-132A-OS-PG (20)		A1202HS 20PG	N/A	P1001T 20PG	UN 404-12BB PG (20)	VA-1201PLH EG (20)	W-201-SS PRE-GALV (20)
G582KO1	1041 PG (10)	PS 200 K06 10 PG	AS-132-KO-PG (10)	S2K06G (10)	A1200-KO 10PG	N/A	P1000 KO 10PG	UN 406-12 PG (10)	VA-1K06 EG (10)	W-200-KO PRE-GALV (10)
G582KO2	1042 PG (20)	PS 200 K06 20 PG	AS-132-KO-PG (20)	S2K06G (20)	A1200-KO 20PG	N/A	P1000 KO 10PG	UN 406-12 PG (20)	VA-1K06 EG (20)	W-200-KO PRE-GALV (20)

CROSS  
REFERENCE

(GREGORY) G-STRUT	(ANVIL INTERNATIONAL) ANVIL STRUT	(COOPER) B-LINE	(CULLY) MINERALLAC	(ELITE) ELITE COMPONENTS	(ERICO) ERI-STRUT	(FLEX STRUT) FLEX STRUT	(FLORIDA STRUT) FLORIDA STRUT	(GS METALS) GLOBE STRUT	(HAYDON) H-STRUT
<b>Green</b>									
G5821POP	AS 200-GR 10	B22 GRN 120	N/A	N/A	A121000GN	FS-200-GR-10	N/A	G-5812-GR (10)	H-132-GR X 10
G5822POP	AS 200-GR 20	B22 GRN 240	N/A	N/A	A122000GN	FS-200-GR-20	N/A	G-5812-GR (20)	H-132-GR X 20
G582H1POP	AS 200H-GR 10	B22 H17/8 GRN 120	N/A	N/A		FS-200-H-GR-10	N/A	G-5812-PO-GR (10)	H-132-RS-GR X 10
G582H2POP	AS 200H-GR 20	B22 H17/8 GRN 240	N/A	N/A		FS-200-H-GR-20	N/A	G-5812-PO-GR (20)	H-132-RS-GR X 20
G582OS1POP	AS 200EH-GR 10	B22 SH GRN 120	N/A	ES A12 UST003	A12HS1000GN	FS-200-SS-GR-10	N/A	G-5812-SH-GR (10)	H-132-OS-GR X 10
G582OS2POP	AS 200EH-GR 20	B22 SH GRN 240	N/A	ES A12 UST005	A12HS2000GN	FS-200-SS-GR-20	N/A	G-5812-SH-GR (20)	H-132-OS-GR X 20
G582LS1POP	AS 200S-GR 10	B22 S GRN 120	N/A	N/A		FS-200-SL-GR-10	N/A	G-5812-SL-GR (10)	H-132-OS3-GR X 10
G582LS2POP	AS 200S-GR 20	B22 S GRN 240	N/A	N/A		FS-200-SL-GR-20	N/A	G-5812-SL-GR (20)	H-132-OS3-GR X 20
G582A1POP	AS 200BTB-GR 10	B22A GRN 120	N/A	N/A	A12A1000GN	FS-201-GR-10	N/A	G-5812-A-GR (10)	H-132-A-GR X 10
G582A2POP	AS 200BTB-GR 20	B22A GRN 240	N/A	N/A	A12A2000GN	FS-201-GR-20	N/A	G-5812-A-GR (20)	H-132-A-GR X 20
G582AOS1POP	AS 200EH BTB-GR 10	B22A SHA GRN 120	N/A	N/A	A12AHS100GN		N/A	N/A	
G582AOS2POP	AS 200EHBTB-GR 20	B22A SHA GRN 240	N/A	N/A	A12AHS200GN		N/A	N/A	
G582KO1POP	AS 200KO-GR 10	B22 K06 GRN 120	N/A	N/A		FS-200-KO-GR-10	N/A	G-5812-KO-GR (10)	H-132-KO-GR X 10
G582KO2POP	AS 200KO-GR 20	B22 K06 GRN 240	N/A	N/A		FS-200-KO-GR-20	N/A	G-5812-KO-GR (20)	H-132-KO-GR X 20
<b>Yellow Zinc Dichromate</b>									
G5821YZ			N/A	N/A		N/A	N/A	N/A	
G5822YZ			N/A	N/A		N/A	N/A	N/A	
G582H1YZ			N/A	N/A		N/A	N/A	N/A	
G582H2YZ			N/A	N/A		N/A	N/A	N/A	
G582OS1YZ			N/A	N/A	A12HS1000CG	N/A	N/A	N/A	
G582OS2YZ			N/A	N/A	A12HS2000CG	N/A	N/A	N/A	
G582LS1YZ			N/A	N/A		N/A	N/A	N/A	
G582LS2YZ			N/A	N/A		N/A	N/A	N/A	
G582A1YZ			N/A	N/A		N/A	N/A	N/A	
G582A2YZ			N/A	N/A		N/A	N/A	N/A	
G582AOS1YZ			N/A	N/A		N/A	N/A	N/A	
G582AOS2YZ			N/A	N/A		N/A	N/A	N/A	
G582KO1YZ			N/A	N/A		N/A	N/A	N/A	
G582KO2YZ			N/A	N/A		N/A	N/A	N/A	
<b>Aluminum Extruded</b>									
G5821AL		B22 AL 120	N/A	N/A		FS-200-AL-10		G-5812-AL (10)	H-132-AL X 10
G5822AL		B22 AL 240	N/A	N/A		FS-200-AL-20		G-5812-AL (20)	H-132-AL X 20
G582H1AL		B22 H17/8 AL 120	N/A	N/A		FS-200-H-AL-10	FS12158-H-10-ALUMINUM	N/A	H-132-RS-AL X 10
G582H2AL		B22 H17/8 AL 240	N/A	N/A		FS-200-H-AL-20	FS12158-H-10-ALUMINUM	N/A	H-132-RS-AL X 20
G582OS1AL		B22 SH AL 120	N/A	N/A		FS-200-SS-AL-10	FS12158-10-ALUMINUM	N/A	H-132-OS-AL X 10
G582OS2AL		B22 SH AL 240	N/A	N/A		FS-200-SS-AL-20	FS12158-20-ALUMINUM	N/A	H-132-OS-AL X 20
G582LS1AL		B22 S AL 120	N/A	N/A		FS-200-SL-AL-10		N/A	H-132-OS3-AL X 10
G582LS2AL		B22 S AL 240	N/A	N/A		FS-200-SL-AL-20		N/A	H-132-OS3-AL X 20
G582A1AL		B22A AL 120	N/A	N/A		FS-201-AL-10		N/A	H-132-A-AL X 10
G582A2AL		B22A AL 240	N/A	N/A		FS-201-AL-20		N/A	H-132-A-AL X 20
G582AOS1AL		B22A SHA AL 120	N/A	N/A			FS12158BB-10-ALUMINUM	N/A	
G582AOS2AL		B22A SHA AL 240	N/A	N/A			FS12158BB-20-ALUMINUM	N/A	
G582KO1AL		B22 K06 AL 120	N/A	N/A		FS-200-KO-AL-10		N/A	H-132-KO-AL X 10
G582KO2AL		B22 K06 AL 240	N/A	N/A		FS-200-KO-AL-20		N/A	H-132-KO-AL X 20
<b>Galvannealed (WIZcoat™)</b>									
G5821GN	N/A	N/A	N/A	N/A	N/A	N/A	N/A	N/A	N/A
G5822GN	N/A	N/A	N/A	N/A	N/A	N/A	N/A	N/A	N/A
G582H1GN	N/A	N/A	N/A	N/A	N/A	N/A	N/A	N/A	N/A
G582H2GN	N/A	N/A	N/A	N/A	N/A	N/A	N/A	N/A	N/A
G582OS1GN	N/A	N/A	N/A	N/A	N/A	N/A	N/A	N/A	N/A
G582OS2GN	N/A	N/A	N/A	N/A	N/A	N/A	N/A	N/A	N/A
G582LS1GN	N/A	N/A	N/A	N/A	N/A	N/A	N/A	N/A	N/A
G582LS2GN	N/A	N/A	N/A	N/A	N/A	N/A	N/A	N/A	N/A
G582A1GN	N/A	N/A	N/A	N/A	N/A	N/A	N/A	N/A	N/A
G582A-2GN	N/A	N/A	N/A	N/A	N/A	N/A	N/A	N/A	N/A
G582AOS1GN	N/A	N/A	N/A	N/A	N/A	N/A	N/A	N/A	N/A
G582AOS2GN	N/A	N/A	N/A	N/A	N/A	N/A	N/A	N/A	N/A
G582KO1GN	N/A	N/A	N/A	N/A	N/A	N/A	N/A	N/A	N/A
G582KO2GN	N/A	N/A	N/A	N/A	N/A	N/A	N/A	N/A	N/A
<b>Plain, Pickled, &amp; Oiled</b>									
G5821PO	AS 200-PL 10	B22 PLN 120	N/A	N/A	A121000PL	FS-200-PL-10			H-132-PL X 10
G5822PO	AS 200-PL 20	B22 PLN 240	N/A	N/A	A122000PL	FS-200-PL-20			H-132-PL X 20
G582H1PO	AS 200H-PL 10	B22 H17/8 PLN 120	N/A			FS-200-H-PL-10	FS12158-H-10-PLAIN		H-132-RS-PL X 10
G582H2PO	AS 200H-PL 20	B22 H17/8 PLN 240	N/A			FS-200-H-PL-20	FS12158-H-10-PLAIN		H-132-RS-PL X 20
G582OS1PO	AS 200EH-PL 10	B22 SH PLN 120	N/A			FS-200-SS-PL-10	FS12158-10-PLAIN		H-132-OS-PL X 10
G582OS2PO	AS 200EH-PL 20	B22 SH PLN 240	N/A			FS-200-SS-PL-20	FS12158-20-PLAIN		H-132-OS-PL X 20
G582LS1PO	AS 200S-PL 10	B22 S PLN 120	N/A			FS-200-SL-PL-10			H-132-OS3-PL X 10
G582LS2PO	AS 200S-PL 20	B22 S PLN 240	N/A			FS-200-SL-PL-20			H-132-OS3-PL X 20
G582A1PO	AS 200BTB-PL 10	B22A PLN 120	N/A			FS-201-PL-10			H-132-A-PL X 10
G582A2PO	AS 200BTB-PL 20	B22A PLN 240	N/A			FS-201-PL-20			H-132-A-PL X 20
G582AOS1PO	AS 200EH BTB-PL 10	B22A SHA PLN 120	N/A				FS12158BB-10-PLAIN	N/A	
G582AOS2PO	AS 200EHBTB-PL 20	B22A SHA PLN 240	N/A				FS12158BB-20-PLAIN	N/A	
G582KO1PO	AS 200KO-PL 10	B22 K06 PLN 120	N/A			FS-200-KO-PL-10			H-132-KO-PL X 10
G582KO2PO	AS 200KO-PL 20	B22 K06 PLN 240	N/A			FS-200-KO-PL-20			H-132-KO-PL X 20

CROSS REFERENCE



(GREGORY) G-STRUT	(PHD MFG) PHD STRUT	(TYCO / ALLIED) POWER-STRUT	(POWER-UTILITY PRODUCTS) PUPCO	(SASCO) SASCO STRUT	(THOMAS & BETTS) SUPER-STRUT	(TOLCO) TOL-STRUT	(TYCO) UNI-STRUT	(UNITRON) U.S. STRUT	(VERSABAR CORP) VERSABAR	WESANCO WESTRUT
<b>Green</b>										
G5821POP	N/A	PS 200 10 GR	AS-132-GR (10)		A1200 10GR	N/A	P1000 10GR	UN 400-12 GREEN (10)	N/A	W-200 GREEN (10)
G5822POP	N/A	PS 200 20 GR	AS-132-GR (20)		A1200 20GR	N/A	P1000 20GR	UN 400-12 GREEN (20)	N/A	W-200 GREEN (20)
G582H1POP	N/A	PS 200 H 10 GR	AS-132-RS-GR (10)		A1200-H 10GR	N/A	P1000 HS 10GR	UN 402-12 GREEN (10)	N/A	W-200-H-GREEN (10)
G582H2POP	N/A	PS 200 H 20 GR	AS-132-RS-GR (20)		A1200-H 20GR	N/A	P1000 HS 20GR	UN 402-12 GREEN (20)	N/A	W-200-H-GREEN (20)
G5820S1POP	N/A	PS 200 EH 10 GR	AS-132-OS-GR (10)		A1200-HS 10GR	N/A	P1000 T 10GR	UN 404-12 GREEN (10)	N/A	W-200-SS GREEN (10)
G5820S2POP	N/A	PS 200 EH 20 GR	AS-132-OS-GR (20)		A1200-HS 20GR	N/A	P1000 T 20GR	UN 404-12 GREEN (20)	N/A	W-200-SS GREEN (20)
G582LS1POP	N/A	PS 200 S 10 GR	AS-132-SL-GR (10)		A1200-S 10GR	N/A	P1000 SL 10GR	UN 405-12 GREEN (10)	N/A	W-200-SL GREEN (10)
G582LS2POP	N/A	PS 200 S 20 GR	AS-132-SL-GR (20)		A1200-S 20GR	N/A	P1000 SL 20GR	UN 405-12 GREEN (20)	N/A	W-200-SL GREEN(20)
G582A1POP	N/A	PS 200 2T3 10 GR	AS-132A-GR (10)		A1202 10GR	N/A	P1001 10GR	UN 400-12BB GREEN (10)	N/A	W-201 GREEN (10)
G582A2POP	N/A	PS 200 2T3 20 GR	AS-132A-GR (20)		A1202 20GR	N/A	P1001 20GR	UN 400-12BB GREEN (20)	N/A	W-201 GREEN (20)
G582AOS1POP	N/A	N/A	AS-132A-OS-GR (10)		A1202-HS 10GR	N/A	P1001T 10GR	UN 404-12BB GREEN (10)	N/A	W-201-SS GREEN (10)
G582AOS2POP	N/A	N/A	AS-132A-OS-GR (20)		A1202-HS 20	N/A	P1001T 20GR	UN 404-12BB GREEN (20)	N/A	W-201-SS GREEN (20)
G582KO1POP	N/A	PS 200 K06 10 GR	AS-132-KO-GR (10)		A1200-KO 10	N/A	N/A	UN 406-12 GREEN (10)	N/A	W-200-KO GREEN (10)
G582KO2POP	N/A	PS 200 K06 20 GR	AS-132-KO-GR (20)		A1200-KO 20	N/A	N/A	UN 406-12 GREEN (20)	N/A	W-200-KO GREEN (20)
<b>Yellow Zinc Dichromate</b>										
G5821YZ	N/A	N/A	AS-132-GD (10)			N/A	N/A	N/A	N/A	N/A
G5822YZ	N/A	N/A	AS-132-GD (20)			N/A	N/A	N/A	N/A	N/A
G582H1YZ	N/A	N/A	AS-132-RS-GD (10)			N/A	N/A	N/A	N/A	N/A
G582H2YZ	N/A	N/A	AS-132-RS-GD (20)			N/A	N/A	N/A	N/A	N/A
G5820S1YZ	N/A	N/A	AS-132-OS-GD (10)			N/A	N/A	N/A	N/A	N/A
G5820S2YZ	N/A	N/A	AS-132-OS-GD (20)			N/A	N/A	N/A	N/A	N/A
G582LS1YZ	N/A	N/A	AS-132-SL-GD (10)			N/A	N/A	N/A	N/A	N/A
G582LS2YZ	N/A	N/A	AS-132-SL-GD (20)			N/A	N/A	N/A	N/A	N/A
G582A1YZ	N/A	N/A	AS-132A-GD (10)			N/A	N/A	N/A	N/A	N/A
G582A2YZ	N/A	N/A	AS-132A-GD (20)			N/A	N/A	N/A	N/A	N/A
G582AOS1YZ	N/A	N/A	AS-132A-OS-GD (10)			N/A	N/A	N/A	N/A	N/A
G582AOS2YZ	N/A	N/A	AS-132A-OS-GD (20)			N/A	N/A	N/A	N/A	N/A
G582K01YZ	N/A	N/A	AS-132-KO-GD (10)			N/A	N/A	N/A	N/A	N/A
G582K02YZ	N/A	N/A	AS-132-KO-GD (20)			N/A	N/A	N/A	N/A	N/A
<b>Aluminum Extruded</b>										
G5821AL	1001 AL (10)	PS 200 10 AL	AS-132-AL (10)	S2AL (10)	A1200 10AL	N/A	N/A	N/A	N/A	N/A
G5822AL	1002 AL (20)	PS 200 20 AL	AS-132-AL (20)	S2AL (20)	A1200 20AL	N/A	N/A	N/A	N/A	N/A
G582H1AL	1021 AL (10)	PS 200 H 10 AL	AS-132-RS-AL (10)	S2H12AL (10)	A1200-H 10AL	N/A	N/A	N/A	N/A	N/A
G582H2AL	1022 AL (20)	PS 200 H 20 AL	AS-132-RS-AL (20)	S2H12AL (20)	A1200-H 20AL	N/A	N/A	N/A	N/A	N/A
G5820S1AL	1011 AL (10)	PS 200 EH 10 AL	AS-132-OS-AL (10)	S2SL2AL (10)	A1200-HS 10AL	N/A	N/A	N/A	N/A	N/A
G5820S2AL	1012 AL (20)	PS 200 EH 20 AL	AS-132-OS-AL (20)	S2SL2AL (20)	A1200-HS 20AL	N/A	N/A	N/A	N/A	N/A
G582LS1AL	1031 AL (10)	PS 200 S 10 AL	AS-132-SL-AL (10)	S2SL4AL (10)	A1200-S 10AL	N/A	N/A	N/A	N/A	N/A
G582LS2AL	1032 AL (20)	PS 200 S 20 AL	AS-132-SL-AL (20)	S2SL4AL (20)	A1200-S 20AL	N/A	N/A	N/A	N/A	N/A
G582A1AL	1001A-AL (10)	PS 200 2T3 10 AL	AS-132A-AL (10)	S2BB-AL (10)	A1202 10AL	N/A	N/A	N/A	N/A	N/A
G582A2AL	1002A-AL (20)	PS 200 2T3 20 AL	AS-132A-AL (20)	S2BB-AL (20)	A1202 20AL	N/A	N/A	N/A	N/A	N/A
G582AOS1AL	1011A-AL (10)	N/A	AS-132A-OS-AL (10)		A1202-HS 10AL	N/A	N/A	N/A	N/A	N/A
G582AOS2AL	1012A-AL (20)	N/A	AS-132A-OS-AL (20)		A1202-HS 20AL	N/A	N/A	N/A	N/A	N/A
G582K01AL	1041 AL (10)	PS 200 K06 10 AL	AS-132-KO-AL (10)	S2K06AL (10)	A1200-KO 10AL	N/A	N/A	N/A	N/A	N/A
G582K02AL	1042 AL (20)	PS 200 K06 20 AL	AS-132-KO-AL (20)	S2K06AL (20)	A1200-KO 20AL	N/A	N/A	N/A	N/A	N/A
<b>Galvanized (WIZcoat™)</b>										
G5821GN	N/A	N/A	N/A	N/A	N/A	N/A	N/A	N/A	N/A	N/A
G5822GN	N/A	N/A	N/A	N/A	N/A	N/A	N/A	N/A	N/A	N/A
G582H1GN	N/A	N/A	N/A	N/A	N/A	N/A	N/A	N/A	N/A	N/A
G582H2GN	N/A	N/A	N/A	N/A	N/A	N/A	N/A	N/A	N/A	N/A
G5820S1GN	N/A	N/A	N/A	N/A	N/A	N/A	N/A	N/A	N/A	N/A
G5820S2GN	N/A	N/A	N/A	N/A	N/A	N/A	N/A	N/A	N/A	N/A
G582LS1GN	N/A	N/A	N/A	N/A	N/A	N/A	N/A	N/A	N/A	N/A
G582LS2GN	N/A	N/A	N/A	N/A	N/A	N/A	N/A	N/A	N/A	N/A
G582A1GN	N/A	N/A	N/A	N/A	N/A	N/A	N/A	N/A	N/A	N/A
G582A2GN	N/A	N/A	N/A	N/A	N/A	N/A	N/A	N/A	N/A	N/A
G582AOS1GN	N/A	N/A	N/A	N/A	N/A	N/A	N/A	N/A	N/A	N/A
G582AOS2GN	N/A	N/A	N/A	N/A	N/A	N/A	N/A	N/A	N/A	N/A
G582K01GN	N/A	N/A	N/A	N/A	N/A	N/A	N/A	N/A	N/A	N/A
G582K02GN	N/A	N/A	N/A	N/A	N/A	N/A	N/A	N/A	N/A	N/A
<b>Plain, Pickled, &amp; Oiled</b>										
G5821PO	1001 PL (10)	PS 200 10 PL	AS-132-BK (10)	S2P (10)	A1200 10B	N/A	P1000 10PL	UN 400-12 PL (10)	N/A	W-200 PLAIN (10)
G5822PO	1002 PL (20)	PS 200 20 PL	AS-132-BK (20)	S2P (20)	A1200 20B	N/A	P1000 20PL	UN 400-12 PL (20)	N/A	W-200 PLAIN (20)
G582H1PO	1021 PL (10)	PS 200 H 10 PL	AS-132-RS-BK (10)	S2H112P (10)	A1200-H 10B	N/A	P1000 HS 10PL	UN 402-12 PL (10)	N/A	W-200-H-PLAIN (10)
G582H2PO	1022 PL (20)	PS 200 H 20 PL	AS-132-RS-BK (20)	S2H112P (20)	A1200-H 20B	N/A	P1000 HS 20PL	UN 402-12 PL (20)	N/A	W-200-H-PLAIN (20)
G5820S1PO	1011 PL (10)	PS 200 EH 10 PL	AS-132-OS-BK (10)	S2SL2P (10)	A1200-HS 10B	N/A	P1000 T 10PL	UN 404-12 PL (10)	N/A	W-200-SS PLAIN (10)
G5820S2PO	1012 PL (20)	PS 200 EH 20 PL	AS-132-OS-BK (20)	S2SL2P (20)	A1200-HS 20B	N/A	P1000 T 20PL	UN 404-12 PL (20)	N/A	W-200-SS PLAIN (20)
G582LS1PO	1031 PL (10)	PS 200 S 10 PL	AS-132-SL-BK (10)	S2SL4P (10)	A1200-S 10B	N/A	P1000 SL 10PL	UN 405-12 PL (10)	N/A	W-200-SL PLAIN (10)
G582LS2PO	1032 PL (20)	PS 200 S 20 PL	AS-132-SL-BK (20)	S2SL4P (20)	A1200-S 20B	N/A	P1000 SL 20PL	UN 405-12 PL (20)	N/A	W-200-SL PLAIN (20)
G582A1PO	1001A PL (10)	PS 200 2T3 10 PL	AS-132A-BK (10)	S2BB-P (10)	A1202 10B	N/A	P1001 10PL	UN 400-12BB PL (10)	N/A	W-201 PLAIN (10)
G582A2PO	1002A PL (20)	PS 200 2T3 20 PL	AS-132A-BK (20)	S2BB-P (20)	A1202 20B	N/A	P1001 20PL	UN 400-12BB PL (20)	N/A	W-201 PLAIN (20)
G582AOS1PO	1011A PL (10)	N/A	AS-132A-OS-BK (10)		A1202-HS 10B	N/A	P1001T 10PL	UN 404-12BB PL (10)	N/A	W-201-SS PLAIN (10)
G582AOS2PO	1012A PL (20)	N/A	AS-132A-OS-BK (20)		A1202-HS 20B	N/A	P1001T 20PL	UN 404-12BB PL (20)	N/A	W-201-SS PLAIN (20)
G582K01PO	1041 PL (10)	PS 200 K06 10 PL	AS-132-KO-BK (10)	S2K06P (10)	A1200-KO 10B	N/A	P1000K 10PL	UN 406-12 PL (10)	N/A	W-200-KO PLAIN (10)
G582K02PO	1042 PL (20)	PS 200 K06 20 PL	AS-132-KO-BK (20)	S2K06P (20)	A1200-KO 20B	N/A	P1000K 20PL	UN 406-12 PL (20)	N/A	W-200-KO PLAIN (20)

CROSS REFERENCE

(GREGORY) G-STRUT	(ANVIL INTERNATIONAL) ANVIL STRUT	(COOPER) B-LINE	(CULLY) MINERALLAC	(ELITE) ELITE COMPONENTS	(ERICO) ERI-STRUT	(FLEX STRUT) FLEX STRUT	(FLORIDA STRUT) FLORIDA STRUT	(GS METALS) GLOBE STRUT	(HAYDON) H-STRUT
<b>Hot-dipped Galvanized</b>									
G5821HDG		B22 HDG 120	N/A	N/A		FS-200-HD-10		G-5812-HDG (10)	H-132-HDG X 10
G5822HDG		B22 HDG 240	N/A	N/A		FS-200-HD-20		G-5812-HDG (20)	H-132-HDG X 20
G582H1HDG		B22 H17/8 HDG 120	N/A	N/A		FS-200-H-HD-10	FS12158-10-H-HD	G-5812-PO-HDG (10)	H-132-RS-HDG X 10
G582H2HDG		B22 H17/8 HDG 240	N/A	N/A		FS-200-H-HD-20	FS12158-20-H-HD	G-5812-PO-HDG (20)	H-132-RS-HDG X 20
G582OS1HDG		B22 SH HDG 120	N/A	N/A		FS-200-SS-HD-10	FS12158-10-HD	G-5812-SH-HDG (10)	H-132-OS-HDG X 10
G582OS2HDG		B22 SH HDG 240	N/A	N/A		FS-200-SS-HD-20	FS12158-20-HD	G-5812-SH-HDG (20)	H-132-OS-HDG X 20
G582LS1HDG		B22 S HDG 120	N/A	N/A		FS-200-SL-HD-10		G-5812-SL-HDG (10)	H-132-OS3-HDG X 10
G582LS2HDG		B22 S HDG 240	N/A	N/A		FS-200-SL-HD-20		G-5812-SL-HDG (20)	H-132-OS3-HDG X 20
G582A1HDG		B22A HDG 120	N/A	N/A		FS-201-HD-10		G-5812-A-HDG (10)	H-132-A-HDG X 10
G582A2HDG		B22A HDG 240	N/A	N/A		FS-201-HD-20		G-5812-A-HDG (20)	H-132-A-HDG X 20
G582AOS1HDG		B22A SHA HDG 120	N/A	N/A			FS12158BB-10-HD	N/A	
G582AOS2HDG		B22A SHA HDG 240	N/A	N/A			FS12158BB-20-HD	N/A	
G582K01HDG		B22 K06 HDG 120	N/A	N/A		FS-200-KO-HD-10		G-5812-KO-HDG (10)	H-132-KO-HDG X 10
G582K02HDG		B22 K06 HDG 240	N/A	N/A		FS-200-KO-HD-20		G-5812-KO-HDG (20)	H-132-KO-HDG X 20
<b>Stainless Steel Grade 304</b>									
G5821SS		B22 SS4 120	N/A	N/A		FS-200-ST4-10		N/A	H-132-SS X 10
G5822SS		B22 SS4 240	N/A	N/A		FS-200-ST4-20		N/A	H-132-SS X 20
G582H1SS		B22 H17/8 SS4 120	N/A	N/A		FS-200-H-ST4-10	FS12158-10-H-SS	N/A	H-132-RS-SS X 10
G582H2SS		B22 H17/8 SS4 240	N/A	N/A		FS-200-H-ST4-20	FS12158-20-H-SS	N/A	H-132-RS-SS X 20
G582OS1SS		B22 SH SS4 120	N/A	N/A	A12HS1000S4	FS-200-SS-ST4-10	FS12158-10-SS	N/A	H-132-OS-SS X 10
G582OS2SS		B22 SH SS4 240	N/A	N/A	A12HS2000S4	FS-200-SS-ST4-20	FS12158-20-SS	N/A	H-132-OS-SS X 20
G582LS1SS		B22 S SS4 120	N/A	N/A		FS-200-SL-ST4-10		N/A	H-132-OS3-SS X 10
G582LS2SS		B22 S SS4 240	N/A	N/A		FS-200-SL-ST4-20		N/A	H-132-OS3-SS X 20
G582A1SS		B22A SS4 120	N/A	N/A		FS-201-ST4-10		N/A	H-132-A-SS X 10
G582A2SS		B22A SS4 240	N/A	N/A		FS-201-ST4-20		N/A	H-132-A-SS X 20
G582AOS1SS		B22A SHA SS4 120	N/A	N/A			FS12158BB-10-SS	N/A	
G582AOS2SS		B22A SHA SS4 240	N/A	N/A			FS12158BB-20-SS	N/A	
G582K01SS		B22 K06 SS4 120	N/A	N/A		FS-200-KO-ST4-10		N/A	H-132-KO-SS X 10
G582K02SS		B22 K06 SS4 240	N/A	N/A		FS-200-KO-ST4-20		N/A	H-132-KO-SS X 20
<b>Stainless Steel Grade 316</b>									
G5821SS(316)		B22 SS6 120	N/A	N/A		FS-200-ST6-10		N/A	H-132-SS(316) X 10
G5822SS(316)		B22 SS6 240	N/A	N/A		FS-200-ST6-20		N/A	H-132-SS(316) X 20
G582H1SS(316)		B22 H17/8 SS6 120	N/A	N/A		FS-200-H-ST6-10	FS12158-10-H-SS(316)	N/A	H-132-RS-SS(316) X 10
G582H2SS(316)		B22 H17/8 SS6 240	N/A	N/A		FS-200-H-ST6-20	FS12158-20-H-SS(316)	N/A	H-132-RS-SS(316) X 20
G582OS1SS(316)		B22 SH SS6 120	N/A	N/A		FS-200-SS-ST6-10	FS12158-10-SS(316)	N/A	H-132-OS-SS(316) X 10
G582OS2SS(316)		B22 SH SS6 240	N/A	N/A		FS-200-SS-ST6-20	FS12158-20-SS(316)	N/A	H-132-OS-SS(316) X 20
G582LS1SS(316)		B22 S SS6 120	N/A	N/A		FS-200-SL-ST6-10		N/A	H-132-OS3-SS(316) X 10
G582LS2SS(316)		B22 S SS6 240	N/A	N/A		FS-200-SL-ST6-20		N/A	H-132-OS3-SS(316) X 20
G582A1SS(316)		B22A SS6 120	N/A	N/A		FS-201-ST6-10		N/A	H-132-A-SS(316) X 10
G582A2SS(316)		B22A SS6 240	N/A	N/A		FS-201-ST6-20		N/A	H-132-A-SS(316) X 20
G582AOS1(316)		B22A SHA SS6 120	N/A	N/A			FS12158BB-10SS(316)	N/A	
G582AOS2(316)		B22A SHA SS6 240	N/A	N/A			FS12158BB-10-SS(316)	N/A	
G582K01SS(316)		B22 K06 SS6 120	N/A	N/A		FS-200-KO-ST6-10		N/A	H-132-KO-SS(316) X 10
G582K02SS(316)		B22 K06 SS6 240	N/A	N/A		FS-200-KO-ST6-20		N/A	H-132-KO-SS(316) X 20
<b>PVC Coated (Galvanized or Black)</b>									
G5821PVC		N/A	N/A	N/A		N/A	N/A	N/A	
G5822PVC		N/A	N/A	N/A		N/A	N/A	N/A	
G582H1PVC		N/A	N/A	N/A		N/A	N/A	N/A	
G582H2PVC		N/A	N/A	N/A		N/A	N/A	N/A	
G582OS1PVC		N/A	N/A	N/A		N/A	N/A	N/A	
G582OS2PVC		N/A	N/A	N/A		N/A	N/A	N/A	
G582LS1PVC		N/A	N/A	N/A		N/A	N/A	N/A	
G582LS2PVC		N/A	N/A	N/A		N/A	N/A	N/A	
G582A1PVC		N/A	N/A	N/A		N/A	N/A	N/A	
G582A2PVC		N/A	N/A	N/A		N/A	N/A	N/A	
G582AOS1PVC		N/A	N/A	N/A		N/A	N/A	N/A	
G582AOS2PVC		N/A	N/A	N/A		N/A	N/A	N/A	
G582K01PVC		N/A	N/A	N/A		N/A	N/A	N/A	
G582K02PVC		N/A	N/A	N/A		N/A	N/A	N/A	

CROSS REFERENCE

(GREGORY) G-STRUT	(PHD MFG) PHD STRUT	(TYCO / ALLIED) POWER-STRUT	(POWER-UTILITY PRODUCTS) PUPCO	(SASCO) SASCO STRUT	(THOMAS & BETTS) SUPER-STRUT	(TOLCO) TOL-STRUT	(TYCO) UNI-STRUT	(UNITRON) U.S. STRUT	(VERSABAR CORP) VERSABAR	WESANCO WESTRUT
<b>Hot-dipped Galvanized</b>										
G5821HDG	1001 HD (10)	PS 200 10 HG	AS-132-HD (10)	S2HG (10)	A1200 10HDG	N/A	P1000 10HG	UN 400-12 HDGAF (10)	N/A	W-200 HDGAF (10)
G5822HDG	1002 HD (20)	PS 200 20 HG	AS-132-HD (20)	S2HG (20)	A1200 20HDG	N/A	P1000 20HG	UN 400-12 HDGAF (20)	N/A	W-200 HDGAF (20)
G582H1HDG	1021 HD (10)	PS 200 H 10 HG	AS-132-RS-HD (10)	S2H112HG (10)	A1200-H 10HDG	N/A	P1000 HS 10HG	UN 402-12 HDGAF (10)	N/A	W-200-H-HDGAF (10)
G582H2HDG	1022 HD (20)	PS 200 H 20 HG	AS-132-RS-HD (20)	S2H112HG (20)	A1200-H 20HDG	N/A	P1000 HS 20HG	UN 402-12 HDGAF (20)	N/A	W-200-H-HDGAF (20)
G582OS1HDG	1011 HD (10)	PS 200 EH 10 HG	AS-132-OS-HD (10)	S2SL2HG (10)	A1200-HS 10HDG	N/A	P1000 T 10HG	UN 404-12 HDGAF (10)	N/A	W-200-SS HDGAF (10)
G582OS2HDG	1012 HD (20)	PS 200 EH 20 HG	AS-132-OS-HD (20)	S2SL2HG (20)	A1200-HS 20HDG	N/A	P1000 T 20HG	UN 404-12 HDGAF (20)	N/A	W-200-SS HDGAF (20)
G582LS1HDG	1031 HD (10)	PS 200 S 10 HG	AS-132-SL-HD (10)	S2SL4HG (10)	A1200-S 10HDG	N/A	P1000 SL 10HG	UN 405-12 HDGAF (10)	N/A	W-200-SL HDGAF (10)
G582LS2HDG	1032 HD (20)	PS 200 S 20 HG	AS-132-SL-HD (20)	S2SL4HG (20)	A1200-S 20HDG	N/A	P1000 SL 20HG	UN 405-12 HDGAF (20)	N/A	W-200-SL HDGAF (20)
G582A1HDG	1001A HD (10)	PS 200 2T3 10 HG	AS-132A-HD (10)	S2BB-HG (10)	A1202 10HDG	N/A	P1001 10HG	UN 400-12BB HDGAF (10)	N/A	W-201 HDGAF (10)
G582A2HDG	1002A HD (20)	PS 200 2T3 20 HG	AS-132A-HD (20)	S2BB-HG (20)	A1202 20HDG	N/A	P1001 20HG	UN 400-12BB HDGAF (20)	N/A	W-201 HDGAF (20)
G582AOS1HDG	1011A HD (10)	N/A	AS-132A-OS-HD (10)		A1202-HS 10HDG	N/A	P1001T 10HG	UN 404-12BB HDGAF (10)	N/A	W-201-SS HDGAF (10)
G582AOS2HDG	1012A HD (20)	N/A	AS-132A-OS-HD (20)		A1202-HS 20HDG	N/A	P1001T 20HG	UN 404-12BB HDGAF (20)	N/A	W-201-SS HDGAF (20)
G582K01HDG	1041 HD (10)	PS 200 K06 10 HG	AS-132-KO-HD (10)	S2K06HG (10)	A1200-KO 10HDG	N/A	P1000KO 10HG	UN 406-12 HDGAF (10)	N/A	W-200-KO HDGAF (10)
G582K02HDG	1042 HD (20)	PS 200 K06 20 HG	AS-132-KO-HD (20)	S2K06HG (20)	A1200-KO 20HDG	N/A	P1000KO 20HG	UN 406-12 HDGAF (20)	N/A	W-200-KO HDGAF (20)
<b>Stainless Steel Grade 304</b>										
G5821SS	1001 SS304 (10)	PS 200 10 SS	AS-132-SS4 (10)			N/A	N/A	N/A	N/A	N/A
G5822SS	1002 SS304 (10)	PS 200 20 SS	AS-132-SS4 (20)			N/A	N/A	N/A	N/A	N/A
G582H1SS	1021 SS304 (10)	PS 200 H 10 SS	AS-132-RS-SS4 (10)			N/A	N/A	N/A	N/A	N/A
G582H2SS	1022 SS304 (10)	PS 200 H 20 SS	AS-132-RS-SS4 (20)			N/A	N/A	N/A	N/A	N/A
G582OS1SS	1011 SS304 (10)	PS 200 EH 10 SS	AS-132-OS-SS4 (10)			N/A	N/A	N/A	N/A	N/A
G582OS2SS	1012 SS304 (10)	PS 200 EH 20 SS	AS-132-OS-SS4 (20)			N/A	N/A	N/A	N/A	N/A
G582LS1SS	1031 SS304 (10)	PS 200 S 10 SS	AS-132-SL-SS4 (10)			N/A	N/A	N/A	N/A	N/A
G582LS2SS	1032 SS304 (10)	PS 200 S 20 SS	AS-132-SL-SS4 (20)			N/A	N/A	N/A	N/A	N/A
G582A1SS	1001A SS304 (10)	PS 200 2T3 10 SS	AS-132A-SS4 (10)			N/A	N/A	N/A	N/A	N/A
G582A2SS	1002A SS304 (10)	PS 200 2T3 20 SS	AS-132A-SS4 (20)			N/A	N/A	N/A	N/A	N/A
G582AOS1SS	1011A SS304 (10)	N/A	AS-132A-OS-SS4 (10)			N/A	N/A	N/A	N/A	N/A
G582AOS2SS	1012A SS304 (10)	N/A	AS-132A-OS-SS4 (20)			N/A	N/A	N/A	N/A	N/A
G582K01SS	1041 SS304 (10)	PS 200 K06 10 SS	AS-132-KO-SS4 (10)			N/A	N/A	N/A	N/A	N/A
G582K02SS	1042 SS304 (10)	PS 200 K06 20 SS	AS-132-KO-SS4 (20)			N/A	N/A	N/A	N/A	N/A
<b>Stainless Steel Grade 316</b>										
G5821SS(316)	1001 SS316 (10)	PS 200 10 SS(316)	AS-132-SS6 (10)			N/A	N/A	UN 400-12 SS316 (10)	N/A	N/A
G5822SS(316)	1002 SS316 (20)	PS 200 20 SS(316)	AS-132-SS6 (20)			N/A	N/A	UN 400-12 SS316 (20)	N/A	N/A
G582H1SS(316)	1021 SS316 (10)	PS 200 H 10 SS(316)	AS-132-RS-SS6 (10)			N/A	N/A	UN 402-12 SS316 (10)	N/A	N/A
G582H2SS(316)	1022 SS316 (20)	PS 200 H 20 SS(316)	AS-132-RS-SS6 (20)			N/A	N/A	UN 402-12 SS316 (20)	N/A	N/A
G582OS1SS(316)	1011 SS316 (10)	PS 200 EH 10 SS(316)	AS-132-OS-SS6 (10)			N/A	N/A	UN 404-12 SS316 (10)	N/A	N/A
G582OS2SS(316)	1012 SS316 (20)	PS 200 EH 20 SS(316)	AS-132-OS-SS6 (20)			N/A	N/A	UN 404-12 SS316 (20)	N/A	N/A
G582LS1SS(316)	1031 SS316 (10)	PS 200 S 10 SS(316)	AS-132-SL-SS6 (10)			N/A	N/A	UN 405-12 SS316 PG (10)	N/A	N/A
G582LS2SS(316)	1032 SS316 (20)	PS 200 S 20 SS(316)	AS-132-SL-SS6 (20)			N/A	N/A	UN 405-12 SS316 PG (20)	N/A	N/A
G582A1SS(316)	1001A SS316 (10)	PS 200 2T3 10 SS(316)	AS-132A-SS6 (10)			N/A	N/A	UN 400-12BB SS316 (10)	N/A	N/A
G582A2SS(316)	1002A SS316 (20)	PS 200 2T3 20 SS(316)	AS-132A-SS6 (20)			N/A	N/A	UN 400-12BB SS316 (20)	N/A	N/A
G582AOS1(316)	1011A SS316 (10)	N/A	AS-132A-OS-SS6 (10)			N/A	N/A	UN 404-12BB SS316 (10)	N/A	N/A
G582AOS2(316)	1012A SS316 (20)	N/A	AS-132A-OS-SS6 (20)			N/A	N/A	UN 404-12BB SS316 (20)	N/A	N/A
G582K01SS(316)	1041 SS316 (10)	PS 200 K06 10 SS(316)	AS-132-KO-SS6 (10)			N/A	N/A	UN 406-12 SS316 (10)	N/A	N/A
G582K02SS(316)	1042 SS316 (20)	PS 200 K06 20 SS(316)	AS-132-KO-SS6 (20)			N/A	N/A	UN 406-12 SS316 (20)	N/A	N/A
<b>PVC Coated (Galvanized or Black)</b>										
G5821PVC	N/A	N/A	AS-132-PVC (10)		A1200 10PVC	N/A	N/A	UN 400-12 PVC (10)	N/A	
G5822PVC	N/A	N/A	AS-132-PVC (20)		A1200 20PVC	N/A	N/A	UN 400-12 PVC (20)	N/A	
G582H1PVC	N/A	N/A	AS-132-RS-PVC (10)		A1200H 10PVC	N/A	N/A	UN 402-12 PVC (10)	N/A	
G582H2PVC	N/A	N/A	AS-132-RS-PVC (20)		A1200H 20PVC	N/A	N/A	UN 402-12 PVC (20)	N/A	
G582OS1PVC	N/A	N/A	AS-132-OS-PVC (10)		A1200HS 10PVC	N/A	N/A	UN 404-12 PVC (10)	N/A	
G582OS2PVC	N/A	N/A	AS-132-OS-PVC (20)		A1200HS 20PVC	N/A	N/A	UN 404-12 PVC (20)	N/A	
G582LS1PVC	N/A	N/A	AS-132-SL-PVC (10)		A1200LS 10PVC	N/A	N/A	UN 405-12 PVC (10)	N/A	
G582LS2PVC	N/A	N/A	AS-132-SL-PVC (20)		A1200LS 20PVC	N/A	N/A	UN 405-12 PVC (20)	N/A	
G582A1PVC	N/A	N/A	AS-132A-PVC (10)		A1202 10PVC	N/A	N/A	UN 400-12BB PVC (10)	N/A	
G582A2PVC	N/A	N/A	AS-132A-PVC (20)		A1202 20PVC	N/A	N/A	UN 400-12BB PVC (20)	N/A	
G582AOS1PVC	N/A	N/A	AS-132A-OS-PVC (10)		A1202HS 10PVC	N/A	N/A	UN 404-12BB PVC (10)	N/A	
G582AOS2PVC	N/A	N/A	AS-132A-OS-PVC (20)		A1202HS 20PVC	N/A	N/A	UN 404-12BB PVC (20)	N/A	
G582K01PVC	N/A	N/A	AS-132-KO-PVC (10)		A1200KO 10PVC	N/A	N/A	UN 406-12 PVC (10)	N/A	
G582K02PVC	N/A	N/A	AS-132-KO-PVC (20)		A1200KO 20PVC	N/A	N/A	UN 406-12 PVC (20)	N/A	



(GREGORY) G-STRUT	(ANVIL INTERNATIONAL) ANVIL STRUT	(COOPER) B-LINE	(CULLY) MINERALLAC	(ELITE) ELITE COMPONENTS	(ERICO) ERI-STRUT	(FLEX STRUT) FLEX STRUT	(FLORIDA STRUT) FLORIDA STRUT	(GS METALS) GLOBE STRUT	(HAYDON) H-STRUT
<b>Pre-Galvanized - G-584 - 1-5/8" x 1-5/8"</b>									
G5841	AS 210-PG 10	B24 GALV 120	N/A	N/A	A14PG10	FS-210-PG-10		G-5814-PG (10)	H-134-PG X 10
G5842	AS 210-PG 20	B24 GALV 240	N/A	N/A	A14PG20	FS-210-PG-20		G-5814-PG (20)	H-134-PG X 20
G584H1	AS 210H-PG 10	B24 H17/8 GALV 120	N/A	N/A		FS-210-H-PG-10	FS14158-H-10-PG	G-5814-PO-PG (10)	H-134-RS-PG X 10
G584H2	AS 210H-PG 20	B24 H17/8 GALV 240	N/A	N/A		FS-210-H-PG-20	FS14158-H-20-PG	G-5814-PO-PG (20)	H-134-RS-PG X 20
G584OS1	AS 210EH-PG 10	B24 SH GALV 120	N/A	ES A14 UST008	A14HS1000PG	FS-210-SS-PG-10	FS14158-10-PG	G-5814-SH-PG (10)	H-134-OS-PG X 10
G584OS2	AS 210EH-PG 20	B24 SH GALV 240	N/A	ES A14 UST006	A14HS2000PG	FS-210-SS-PG-20	FS14158-20-PG	G-5814-SH-PG (20)	H-134-OS-PG X 20
G584LS1	AS 210S-PG 10	B24 S GALV 120	N/A	N/A		FS-210-SL-PG-10		G-5814-SL-PG (10)	H-134-OS3-PG X 10
G584LS2	AS 210S-PG 20	B24 S GALV 240	N/A	N/A		FS-210-SL-PG-20		G-5814-SL-PG (20)	H-134-OS3-PG X 20
G584A1	AS 210BTB-PG 10	B24A GALV 120	N/A	N/A		FS-211-PG-10		G-5814-A-PG (10)	H-134-A-PG X 10
G584A2	AS 210BTB-PG 20	B24A GALV 240	N/A	N/A		FS-211-PG-20		G-5814-A-PG (20)	H-134-A-PG X 20
G584AOS1			N/A	N/A			FS14158BB-10-PG	N/A	
G584AOS2			N/A	N/A			FS14158BB-20-PG	N/A	
G584K01	AS 210KO-PG 10	B24 K06 GALV 120	N/A	N/A		FS-210-KO-PG-10		G-5814-KO-PG (10)	H-134-KO-PG X 10
G584K02	AS 210KO-PG 20	B24 K06 GALV 240	N/A	N/A		FS-210-KO-PG-20		G-5814-KO-PG (20)	H-134-KO-PG X 20
<b>Green</b>									
G5841POP	AS 210-GR 10	B24 GRN 120	N/A	N/A	A141000GN	FS-210-GR-10	N/A	G-5814-GR (10)	H-134-GR X 10
G5842POP	AS 210-GR 20	B24 GRN 240	N/A	N/A	A142000GN	FS-210-GR-20	N/A	G-5814-GR (20)	H-134-GR X 20
G584H1POP	AS 210H-GR 10	B24 H17/8 GRN 120	N/A	N/A		FS-210-H-GR-10	N/A	G-5814-PO-GR (10)	H-134-RS-GR X 10
G584H2POP	AS 210H-GR 20	B24 H17/8 GRN 240	N/A	N/A		FS-210-H-GR-20	N/A	G-5814-PO-GR (20)	H-134-RS-GR X 20
G584OS1POP	AS 210EH-GR 10	B24 SH GRN 120	N/A	ES A14 UST004	A14HS1000GN	FS-210-SS-GR-10	N/A	G-5814-SH-GR (10)	H-134-OS-GR X 10
G584OS2POP	AS 210EH-GR 20	B24 SH GRN 240	N/A	ES A14 UST007	A14HS2000GN	FS-210-SS-GR-20	N/A	G-5814-SH-GR (20)	H-134-OS-GR X 20
G584LS1POP	AS 210S-GR 10	B24 S GRN 120	N/A	N/A		FS-210-SL-GR-10	N/A	G-5814-SL-GR (10)	H-134-OS3-GR X 10
G584LS2POP	AS 210S-GR 20	B24 S GRN 240	N/A	N/A		FS-210-SL-GR-20	N/A	G-5814-SL-GR (20)	H-134-OS3-GR X 20
G584A1POP	AS 210BTB-GR 10	B24A GRN 120	N/A	N/A		FS-211-GR-10	N/A	G-5814-A-GR (10)	H-134-A-GR X 10
G584A2POP	AS 210BTB-GR 20	B24A GRN 240	N/A	N/A		FS-211-GR-20	N/A	G-5814-A-GR (20)	H-134-A-GR X 20
G584AOS1POP			N/A	N/A			N/A	N/A	
G584AOS2POP			N/A	N/A			N/A	N/A	
G584K01POP	AS 210KO-GR 10	B24 K06 GRN 120	N/A	N/A		FS-210-KO-GR-10	N/A	G-5814-KO-GR (10)	H-134-KO-GR X 10
G584K02POP	AS 210KO-GR 20	B24 K06 GRN 240	N/A	N/A		FS-210-KO-GR-20	N/A	G-5814-KO-GR (20)	H-134-KO-GR X 20
<b>Yellow Zinc Dichromate</b>									
G5841YZ			N/A	N/A		N/A	N/A	N/A	
G5842YZ			N/A	N/A		N/A	N/A	N/A	
G584H1YZ			N/A	N/A		N/A	N/A	N/A	
G584H2YZ			N/A	N/A		N/A	N/A	N/A	
G584OS1YZ			N/A	N/A		N/A	N/A	N/A	
G584OS2YZ			N/A	N/A		N/A	N/A	N/A	
G584LS1YZ			N/A	N/A		N/A	N/A	N/A	
G584LS2YZ			N/A	N/A		N/A	N/A	N/A	
G584A1YZ			N/A	N/A		N/A	N/A	N/A	
G584A2YZ			N/A	N/A		N/A	N/A	N/A	
G584AOS1YZ			N/A	N/A		N/A	N/A	N/A	
G584AOS2YZ			N/A	N/A		N/A	N/A	N/A	
G584K01YZ			N/A	N/A		N/A	N/A	N/A	
G584K02YZ			N/A	N/A		N/A	N/A	N/A	
<b>Galvannealed (WIZcoat™)</b>									
G5841GN	N/A	N/A	N/A	N/A	N/A	N/A	N/A	N/A	N/A
G5842GN	N/A	N/A	N/A	N/A	N/A	N/A	N/A	N/A	N/A
G584H1GN	N/A	N/A	N/A	N/A	N/A	N/A	N/A	N/A	N/A
G584H2GN	N/A	N/A	N/A	N/A	N/A	N/A	N/A	N/A	N/A
G584OS1GN	N/A	N/A	N/A	N/A	N/A	N/A	N/A	N/A	N/A
G584OS2GN	N/A	N/A	N/A	N/A	N/A	N/A	N/A	N/A	N/A
G584LS1GN	N/A	N/A	N/A	N/A	N/A	N/A	N/A	N/A	N/A
G584LS2GN	N/A	N/A	N/A	N/A	N/A	N/A	N/A	N/A	N/A
G584A1GN	N/A	N/A	N/A	N/A	N/A	N/A	N/A	N/A	N/A
G584A2GN	N/A	N/A	N/A	N/A	N/A	N/A	N/A	N/A	N/A
G584AOS1GN	N/A	N/A	N/A	N/A	N/A	N/A	N/A	N/A	N/A
G584AOS2GN	N/A	N/A	N/A	N/A	N/A	N/A	N/A	N/A	N/A
G584K01GN	N/A	N/A	N/A	N/A	N/A	N/A	N/A	N/A	N/A
G584K02GN	N/A	N/A	N/A	N/A	N/A	N/A	N/A	N/A	N/A

CROSS REFERENCE

(GREGORY) G-STRUT	(PHD MFG) PHD STRUT	(TYCO / ALLIED) POWER-STRUT	(POWER-UTILITY PRODUCTS) PUPCO	(SASCO) SASCO STRUT	(THOMAS & BETTS) SUPER-STRUT	(TOLCO) TOL-STRUT	(TYCO) UNI-STRUT	(UNITRON) U.S. STRUT	(VERSABAR CORP) VERSABAR	WESANCO WESTRUT
<b>Pre-Galvanized - G-584 - 1-5/8" x 1-5/8</b>										
G5841	1101 PG (20)	PS 210 10 PG	AS-134-PG (10)	S4G (10)	A1400 10PG	A-14 10	N/A	UN 400-14 PG (10)	VA-2 EG (10)	W-210 PRE-GALV (10)
G5842	1102 PG (20)	PS 210 20 PG	AS-134-PG (20)	S4G (20)	A1400 20PG	A-14 20	N/A	UN 400-14 PG (20)	VA-2 EG (20)	W-210 PRE-GALV (20)
G584H1	1121 PG (20)	PS 210 H 10 PG	AS-134-RS-PG (10)	S4H112G (10)	A1400H 10PG	N/A	N/A	UN 402-14 PG (10)	VA-2P1.87 EG (10)	W-210-H PRE-GALV (10)
G584H2	1122 PG (20)	PS 210 H 20 PG	AS-134-RS-PG (20)	S4H112G (20)	A1400H 20PG	N/A	N/A	UN 402-14 PG (20)	VA-2P1.87 EG (20)	W-210-H PRE-GALV (20)
G584OS1	1111 PG (20)	PS 210 EH 10 PG	AS-134-OS-PG (10)	S4SL2G (10)	A1400HS 10PG	N/A	N/A	UN 404-14 PG (10)	VA-2PLH EG (10)	W-210-SS PRE-GALV (10)
G584OS2	1112 PG (20)	PS 210 EH 20 PG	AS-134-OS-PG (20)	S4SL2G (20)	A1400HS 20PG	N/A	N/A	UN 404-14 PG (20)	VA-2PLH EG (20)	W-210-SS PRE-GALV (20)
G584LS1	1131 PG (20)	PS 210 S 10 PG	AS-134-SL-PG (10)	S4SL4G (10)	A1400LS 10PG	N/A	N/A	UN 405-14 PG (10)	VA-2P3S EG (10)	W-210-SL PRE-GALV (10)
G584LS2	1132 PG (20)	PS 210 S 20 PG	AS-134-SL-PG (20)	S4SL4G (20)	A1400LS 20PG	N/A	N/A	UN 405-14 PG (20)	VA-2P3S EG (20)	W-210-SL PRE-GALV (20)
G584A1	1101A PG (20)	PS 210 2T3 10 PG	AS-134A-PG (10)	S4BB-G (10)	A1402 10PG	A-14A 10	N/A	UN 400-14BB PG (10)	VA-2201 EG (10)	W-211 PRE-GALV (10)
G584A2	1102A PG (20)	PS 210 2T3 20 PG	AS-134A-PG (20)	S4BB-G (20)	A1402 20PG	A-14A 20	N/A	UN 400-14BB PG (20)	VA-2201 EG (20)	W-211 PRE-GALV (20)
G584AOS1	1111A PG (20)	N/A	AS-134A-OS-PG (10)		A1402HS 10PG	N/A	N/A	UN 404-14BB PG (10)	VA-2201PLH EG (10)	W-211-SS PRE-GALV (10)
G584AOS2	1112A PG (20)	N/A	AS-134A-OS-PG (20)		A1402HS 20PG	N/A	N/A	UN 404-14BB PG (20)	VA-2201PLH EG (20)	W-211-SS PRE-GALV (20)
G584K01	1141 PG (20)	PS 210 K06 10 PG	AS-134-KO-PG (10)	S4K06G (10)	A1400KO 10PG	N/A	N/A	UN 406-14 PG (10)	VA-2K06 EG (10)	W-210-KO PRE-GALV (10)
G584K02	1142 PG (20)	PS 210 K06 20 PG	AS-134-KO-PG (20)	S4K06G (20)	A1400KO 20PG	N/A	N/A	UN 406-14 PG (20)	VA-2K06 EG (20)	W-210-KO PRE-GALV (20)
<b>Green</b>										
G5841POP	N/A	PS 210 10 GR	AS-134-GR (10)		A1400 10GR	N/A	N/A	UN 400-14 GREEN (10)	VA-2 GR (10)	W-210 GREEN (10)
G5842POP	N/A	PS 210 20 GR	AS-134-GR (20)		A1400 20GR	N/A	N/A	UN 400-14 GREEN (20)	VA-2 GR (20)	W-210 GREEN (20)
G584H1POP	N/A	PS 210 H 10 GR	AS-134-RS-GR (10)		A1400H 10GR	N/A	N/A	UN 402-14 GREEN (10)	VA-2P1.87 GR (10)	W-210-H GREEN (10)
G584H2POP	N/A	PS 210 H 20 GR	AS-134-RS-GR (20)		A1400H 20GR	N/A	N/A	UN 402-14 GREEN (20)	VA-2P1.87 GR (20)	W-210-H GREEN (20)
G584OS1POP	N/A	PS 210 EH 10 GR	AS-134-OS-GR (10)		A1400HS 10GR	N/A	N/A	UN 404-14 GREEN (10)	VA-2PLH GR (10)	W-210-SS GREEN (10)
G584OS2POP	N/A	PS 210 EH 20 GR	AS-134-OS-GR (20)		A1400HS 20GR	N/A	N/A	UN 404-14 GREEN (20)	VA-2PLH GR (20)	W-210-SS GREEN (20)
G584LS1POP	N/A	PS 210 S 10 GR	AS-134-SL-GR (10)		A1400LS 10GR	N/A	N/A	UN 405-14 GREEN (10)	VA-2P3S GR (10)	W-210-SL GREEN (10)
G584LS2POP	N/A	PS 210 S 20 GR	AS-134-SL-GR (20)		A1400LS 20GR	N/A	N/A	UN 405-14 GREEN (20)	VA-2P3S GR (20)	W-210-SL GREEN (20)
G584A1POP	N/A	PS 210 2T3 10 GR	AS-134A-GR (10)		A1400-2 10GR	N/A	N/A	UN 400-14BB GREEN (10)	VA-2201 GR (10)	W-211 GREEN (10)
G584A2POP	N/A	PS 210 2T3 20 GR	AS-134A-GR (20)		A1400-2 20GR	N/A	N/A	UN 400-14BB GREEN (20)	VA-2201 GR (20)	W-211 GREEN (20)
G584AOS1POP	N/A	N/A	AS-134A-OS-GR (10)		A1400-2HS 10GR	N/A	N/A	UN 404-14BB GREEN (10)	VA-2201PLH GR (10)	W-211-SS GREEN (10)
G584AOS2POP	N/A	N/A	AS-134A-OS-GR (20)		A1400-2HS 20GR	N/A	N/A	UN 404-14BB GREEN (20)	VA-2201PLH GR (20)	W-211-SS GREEN (20)
G584K01POP	N/A	PS 210 K06 10 GR	AS-134-KO-GR (10)		A1400KO 10GR	N/A	N/A	UN 406-14 GREEN (10)	VA-2K06 GR (10)	W-210-KO GREEN (10)
G584K02POP	N/A	PS 210 K06 20 GR	AS-134-KO-GR (20)		A1400KO 20GR	N/A	N/A	UN 406-14 GREEN (20)	VA-2K06 GR (20)	W-210-KO GREEN (20)
<b>Yellow Zinc Dichromate</b>										
G5841YZ	N/A	PS 210 10 ZD	AS-134-GD (10)			N/A	N/A	N/A	N/A	N/A
G5842YZ	N/A	PS 210 20 ZD	AS-134-GD (20)			N/A	N/A	N/A	N/A	N/A
G584H1YZ	N/A	PS 210 H 10 ZD	AS-134-RS-GD (10)			N/A	N/A	N/A	N/A	N/A
G584H2YZ	N/A	PS 210 H 20 ZD	AS-134-RS-GD (20)			N/A	N/A	N/A	N/A	N/A
G584OS1YZ	N/A	PS 210 EH 10 ZD	AS-134-OS-GD (10)			N/A	N/A	N/A	N/A	N/A
G584OS2YZ	N/A	PS 210 EH 20 ZD	AS-134-OS-GD (20)			N/A	N/A	N/A	N/A	N/A
G584LS1YZ	N/A	PS 210 S 10 ZD	AS-134-SL-GD (10)			N/A	N/A	N/A	N/A	N/A
G584LS2YZ	N/A	PS 210 S 20 ZD	AS-134-SL-GD (20)			N/A	N/A	N/A	N/A	N/A
G584A1YZ	N/A	PS 210 2T3 10 ZD	AS-134A-GD (10)			N/A	N/A	N/A	N/A	N/A
G584A2YZ	N/A	PS 210 2T3 20 ZD	AS-134A-GD (20)			N/A	N/A	N/A	N/A	N/A
G584AOS1YZ	N/A	N/A	AS-134A-OS-GD (10)			N/A	N/A	N/A	N/A	N/A
G584AOS2YZ	N/A	N/A	AS-134A-OS-GD (20)			N/A	N/A	N/A	N/A	N/A
G584K01YZ	N/A	PS 210 K06 10 ZD	AS-134-KO-GD (10)			N/A	N/A	N/A	N/A	N/A
G584K02YZ	N/A	PS 210 K06 20 ZD	AS-134-KO-GD (20)			N/A	N/A	N/A	N/A	N/A
<b>Galvannealed (WIZcoat™)</b>										
G5841GN	N/A	N/A	N/A	N/A	N/A	N/A	N/A	N/A	N/A	N/A
G5842GN	N/A	N/A	N/A	N/A	N/A	N/A	N/A	N/A	N/A	N/A
G584H1GN	N/A	N/A	N/A	N/A	N/A	N/A	N/A	N/A	N/A	N/A
G584H2GN	N/A	N/A	N/A	N/A	N/A	N/A	N/A	N/A	N/A	N/A
G584OS1GN	N/A	N/A	N/A	N/A	N/A	N/A	N/A	N/A	N/A	N/A
G584OS2GN	N/A	N/A	N/A	N/A	N/A	N/A	N/A	N/A	N/A	N/A
G584LS1GN	N/A	N/A	N/A	N/A	N/A	N/A	N/A	N/A	N/A	N/A
G584LS2GN	N/A	N/A	N/A	N/A	N/A	N/A	N/A	N/A	N/A	N/A
G584A1GN	N/A	N/A	N/A	N/A	N/A	N/A	N/A	N/A	N/A	N/A
G584A2GN	N/A	N/A	N/A	N/A	N/A	N/A	N/A	N/A	N/A	N/A
G584AOS1GN	N/A	N/A	N/A	N/A	N/A	N/A	N/A	N/A	N/A	N/A
G584AOS2GN	N/A	N/A	N/A	N/A	N/A	N/A	N/A	N/A	N/A	N/A
G584K01GN	N/A	N/A	N/A	N/A	N/A	N/A	N/A	N/A	N/A	N/A
G584K02GN	N/A	N/A	N/A	N/A	N/A	N/A	N/A	N/A	N/A	N/A

CROSS  
REFERENCE

(GREGORY) G-STRUT	(ANVIL INTERNATIONAL) ANVIL STRUT	(COOPER) B-LINE	(CULLY) MINERALLAC	(ELITE) ELITE COMPONENTS	(ERICO) ERI-STRUT	(FLEX STRUT) FLEX STRUT	(FLORIDA STRUT) FLORIDA STRUT	(GS METALS) GLOBE STRUT	(HAYDON) H-STRUT
<b>Plain, Pickled, &amp; Oiled</b>									
G5841PO	AS 210-PL 10	B24 PLN 120	N/A	N/A	N/A	FS-210-PL-10			H-134-PL X 10
G5842PO	AS 210-PL 20	B24 PLN 240	N/A	N/A	N/A	FS-210-PL-20			H-134-PL X 20
G584H1PO	AS 210H-PL 10	B24 H17/8 PLN 120	N/A	N/A	N/A	FS-210-H-PL-10	FS14158-H-10-PL		H-134-RS-PL X 10
G584OS1PO	AS 210EH-PL 10	B24 SH PLN 120	N/A	N/A	N/A	FS-210-SS-PL-10	FS14158-10-PL		H-134-OS-PL X 10
G584OS2PO	AS 210EH-PL 20	B24 SH PLN 240	N/A	N/A	N/A	FS-210-SS-PL-20	FS14158-20-PL		H-134-OS-PL X 20
G584LS1PO	AS 210S-PL 10	B24 S PLN 120	N/A	N/A	N/A	FS-210-SL-PL-10			H-134-OS3-PL X 10
G584LS2PO	AS 210S-PL 20	B24 S PLN 240	N/A	N/A	N/A	FS-210-SL-PL-20			H-134-OS3-PL X 20
G584A1PO	AS 210BTB-PL 10	B24A PLN 120	N/A	N/A	N/A	FS-211-PL-10			H-134-A-PL X 10
G584A2PO	AS 210BTB-PL 20	B24A PLN 240	N/A	N/A	N/A	FS-211-PL-20			H-134-A-PL X 20
G584AOS1PO			N/A	N/A	N/A		FS14158BB-10-PL		
G584AOS2PO			N/A	N/A	N/A		FS14158BB-20-PL		
G584KO1PO	AS 210KO-PL 10	B24 K06 PLN 120	N/A	N/A	N/A	FS-210-KO-PL-10			H-134-KO-PL X 10
G584KO2PO	AS 210KO-PL 20	B24 K06 PLN 240	N/A	N/A	N/A	FS-210-KO-PL-20			H-134-KO-PL X 20
<b>Hot-dipped Galvanized</b>									
G5841HDG		B24 HDG 120	N/A	N/A	N/A	N/A		G-5814-HDG (10)	H-134-HDG X 10
G5842HDG		B24 HDG 240	N/A	N/A	N/A	N/A		G-5814-HDG (20)	H-134-HDG X 20
G584H1HDG		B24 H17/8 HDG 120	N/A	N/A	N/A	N/A	FS14158-H-10-HD	G-5814-PO-HDG (10)	H-134-RS-HDG X 10
G584H2HDG		B24 H17/8 HDG 240	N/A	N/A	N/A	N/A	FS14158-H-20-HD	G-5814-PO-HDG (20)	H-134-RS-HDG X 20
G584OS1HDG		B24 SH HDG 120	N/A	N/A	N/A	N/A	FS14158-10-HD	G-5814-SH-HDG (10)	H-134-OS-HDG X 10
G584OS2HDG		B24 SH HDG 240	N/A	N/A	N/A	N/A	FS14158-20-HD	G-5814-SH-HDG (20)	H-134-OS-HDG X 20
G584LS1HDG		B24 S HDG 120	N/A	N/A	N/A	N/A		G-5814-SL-HDG (10)	H-134-OS3-HDG X 10
G584LS2HDG		B24 S HDG 240	N/A	N/A	N/A	N/A		G-5814-SL-HDG (20)	H-134-OS3-HDG X 20
G584A1HDG		B24A HDG 120	N/A	N/A	N/A	N/A		G-5814-A-HDG (10)	H-134-A-HDG X 10
G584A2HDG		B24A HDG 240	N/A	N/A	N/A	N/A		G-5814-A-HDG (20)	H-134-A-HDG X 20
G584AOS1HDG			N/A	N/A	N/A	N/A	FS14158BB-10-HD	N/A	
G584AOS2HDG			N/A	N/A	N/A	N/A	FS14158BB-20-HD	N/A	
G584KO1HDG		B24 K06 HDG 120	N/A	N/A	N/A	N/A		G-5814-KO-HDG (10)	H-134-KO-HDG X 10
G584KO2HDG		B24 K06 HDG 240	N/A	N/A	N/A	N/A		G-5814-KO-HDG (20)	H-134-KO-HDG X 20
<b>Aluminum</b>									
G5841AL (N/A)		B24 AL 120	N/A	N/A	N/A	N/A		N/A	
G5842AL (N/A)		B24 AL 240	N/A	N/A	N/A	N/A		N/A	
G584H1AL (N/A)		B24 H17/8 AL 120	N/A	N/A	N/A	N/A	FS14158-H-10-ALUMINUM	N/A	
G584H2AL (N/A)		B24 H17/8 AL 240	N/A	N/A	N/A	N/A	FS14158-H-10-ALUMINUM	N/A	
G584OS1AL (N/A)		B24 SH AL 120	N/A	N/A	N/A	N/A	FS14158-10-ALUMINUM	N/A	
G584OS2AL (N/A)		B24 SH AL 240	N/A	N/A	N/A	N/A	FS14158-20-ALUMINUM	N/A	
G584LS1AL (N/A)		B24 S AL 120	N/A	N/A	N/A	N/A		N/A	
G584LS2AL (N/A)		B24 S AL 240	N/A	N/A	N/A	N/A		N/A	
G584A1AL (N/A)		B24A AL 120	N/A	N/A	N/A	N/A		N/A	
G584A2AL (N/A)		B24A AL 240	N/A	N/A	N/A	N/A		N/A	
G584AOS1AL (N/A)			N/A	N/A	N/A	N/A	FS14158BB-10-ALUMINUM	N/A	
G584AOS2AL (N/A)			N/A	N/A	N/A	N/A	FS14158BB-20-ALUMINUM	N/A	
G584KO1AL (N/A)		B24 K06 AL 120	N/A	N/A	N/A	N/A		N/A	
G584KO2AL (N/A)		B24 K06 AL 240	N/A	N/A	N/A	N/A		N/A	
<b>PVC Coated (Galvanized or Black)</b>									
G5841PVC		N/A	N/A	N/A	N/A	N/A	N/A	N/A	
G5842PVC		N/A	N/A	N/A	N/A	N/A	N/A	N/A	
G584H1PVC		N/A	N/A	N/A	N/A	N/A	N/A	N/A	
G584H2PVC		N/A	N/A	N/A	N/A	N/A	N/A	N/A	
G584OS1PVC		N/A	N/A	N/A	N/A	N/A	N/A	N/A	
G584OS2PVC		N/A	N/A	N/A	N/A	N/A	N/A	N/A	
G584LS1PVC		N/A	N/A	N/A	N/A	N/A	N/A	N/A	
G584LS2PVC		N/A	N/A	N/A	N/A	N/A	N/A	N/A	
G584A1PVC		N/A	N/A	N/A	N/A	N/A	N/A	N/A	
G584A2PVC		N/A	N/A	N/A	N/A	N/A	N/A	N/A	
G584AOS1PVC		N/A	N/A	N/A	N/A	N/A	N/A	N/A	
G584AOS2PVC		N/A	N/A	N/A	N/A	N/A	N/A	N/A	
G584KO1PVC		N/A	N/A	N/A	N/A	N/A	N/A	N/A	
G584KO2PVC		N/A	N/A	N/A	N/A	N/A	N/A	N/A	
<b>Pre-Galvanized - G-382 - 1-3/8" x 1-5/8"</b>									
G3821	AS 300-PG 10	B32 GALV 120	N/A	N/A	B121000PC	FS-300-PG-10	N/A	G-3812-PG (10)	H-142-PG X 10
G3822	AS 300-PG 20	B32 GALV 240	N/A	N/A	B122000PG	FS-300-PG-20	N/A	G-3812-PG (20)	H-142-PG X 20
G382H1	AS 300H-PG 10	B32 H17/8 GALV 120	N/A	N/A		FS-300-H-PG-10	N/A	G-3812-PO-PG (10)	H-142-RS-PG X 10
G382H2	AS 300H-PG 20	B32 H17/8 GALV 240	N/A	N/A		FS-300-H-PG-20	N/A	G-3812-PO-PG (20)	H-142-RS-PG X 20
G382OS1	AS 300EH-PG 10	B32 SH GALV 120	N/A	N/A		FS-300-SS-PG-10	N/A	G-3812-SH-PG (10)	H-142-OS-PG X 10
G382OS2	AS 300EH-PG 20	B32 SH GALV 240	N/A	N/A	B12HS2000PG	FS-300-SS-PG-20	N/A	G-3812-SH-PG (20)	H-142-OS-PG X 20
G382LS1	AS 300S-PG 10	B32 S GALV 120	N/A	N/A		FS-300-SL-PG-10	N/A	G-3812-SL-PG (10)	H-142-OS3-PG X 10
G382LS2	AS 300S-PG 20	B32 S GALV 240	N/A	N/A		FS-300-SL-PG-20	N/A	G-3812-SL-PG (20)	H-142-OS3-PG X 20
G382A1	AS 300BTB-PG 10	B32A GALV 120	N/A	N/A		FS-301-PG-10	N/A	G-3812-A-PG (10)	H-142-A-PG X 10
G382A2	AS 300BTB-PG 20	B32A GALV 240	N/A	N/A		FS-301-PG-20	N/A	G-3812-A-PG (20)	H-142-A-PG X 20
G382AOS1			N/A	N/A			N/A	N/A	
G382AOS2			N/A	N/A			N/A	N/A	
G382KO1	AS 300KO-PG 10	B32 K06 GALV 120	N/A	N/A		FS-300-KO-PG-10	N/A	G-3812-KO-PG (10)	H-142-KO-PG X 10
G382KO2	AS 300KO-PG 20	B32 K06 GALV 240	N/A	N/A		FS-300-KO-PG-20	N/A	G-3812-KO-PG (20)	H-142-KO-PG X 20

CROSS REFERENCE

(GREGORY) G-STRUT	(PHD MFG) PHD STRUT	(TYCO / ALLIED) POWER-STRUT	(POWER-UTILITY PRODUCTS) PUPCO	(SASCO) SASCO STRUT	(THOMAS & BETTS) SUPER-STRUT	(TOLCO) TOL-STRUT	(TYCO) UNI-STRUT	(UNITRON) U.S. STRUT	(VERSABAR CORP) VERSABAR	WESANCO WESTRUT
<b>Plain, Pickled, &amp; Oiled</b>										
G5841PO	1101 PL (10)	PS 210 10 PL	AS-134-BK (10)	S4P (10)	A1400 10B	N/A	N/A	UN 400-14 PL (10)	N/A	W-210 PLAIN (10)
G5842PO	1102 PL (20)	PS 210 20 PL	AS-134-BK (20)	S4P (20)	A1400 20B	N/A	N/A	UN 400-14 PL (20)	N/A	W-210 PLAIN (20)
G584H1PO	1121 PL (10)	PS 210 H 10 PL	AS-134-RS-BK (10)	S4H112P (10)	A1400H 10B	N/A	N/A	UN 402-14 PL (10)	N/A	W-210-H PLAIN (10)
G584H2PO	1122 PL (20)	PS 210 H 20 PL	AS-134-RS-BK (20)	S4H112P (20)	A1400H 20B	N/A	N/A	UN 402-14 PL (20)	N/A	W-210-H PLAIN (20)
G584OS1PO	1111 PL (10)	PS 210 EH 10 PL	AS-134-OS-BK (10)	S4SL2P (10)	A1400HS 10B	N/A	N/A	UN 404-14 PL (10)	N/A	W-210-SS PLAIN (10)
G584OS2PO	1112 PL (20)	PS 210 EH 20 PL	AS-134-OS-BK (20)	S4SL2P (20)	A1400HS 20B	N/A	N/A	UN 404-14 PL (20)	N/A	W-210-SS PLAIN (20)
G584LS1PO	1131 PL (10)	PS 210 S 10 PL	AS-134-SL-BK (10)	S4SL4P (10)	A1400LS 10B	N/A	N/A	UN 405-14 PL (10)	N/A	W-210-SL PLAIN (10)
G584LS2PO	1132 PL (20)	PS 210 S 20 PL	AS-134-SL-BK (20)	S4SL4P (20)	A1400LS 20B	N/A	N/A	UN 405-14 PL (20)	N/A	W-210-SL PLAIN (20)
G584A1PO	1101A PL (10)	PS 210 2T3 10 PL	AS-134A-BK (10)	S4BB-P (10)	A1400-2 10B	N/A	N/A	UN 400-14BB PL (10)	N/A	W-211 PLAIN (10)
G584A2PO	1102A PL (20)	PS 210 2T3 20 PL	AS-134A-BK (20)	S4BB-P (20)	A1400-2 20B	N/A	N/A	UN 400-14BB PL (20)	N/A	W-211 PLAIN (20)
G584AOS1PO	1111A PL (10)	N/A	AS-134A-OS-BK (10)		A1400-2HS 10B	N/A	N/A	UN 404-14BB PL (10)	N/A	W-211-SS PLAIN (10)
G584AOS2PO	1112A PL (20)	N/A	AS-134A-OS-BK (20)		A1400-2HS 20B	N/A	N/A	UN 404-14BB PL (20)	N/A	W-211-SS PLAIN (20)
G584K01PO	1141 PL (10)	PS 210 K06 10 PL	AS-134-KO-BK (10)	S4K06P (10)	A1400KO 10B	N/A	N/A	UN 406-14 PL (10)	N/A	W-210-KO PLAIN (10)
G584K02PO	1142 PL (20)	PS 210 K06 20 PL	AS-134-KO-BK (20)	S4K06P (20)	A1400KO 20B	N/A	N/A	UN 406-14 PL (20)	N/A	W-210-KO PLAIN (20)
<b>Hot-dipped Galvanized</b>										
G5841HDG	1101 HD (10)	PS 210 10 HG	AS-134-HD (10)	S4HG (10)	A1400 10HDG	N/A	N/A	UN 400-14 HDGAF (10)	N/A	W-210 HDGAF (10)
G5842HDG	1102 HD (20)	PS 210 20 HG	AS-134-HD (20)	S4HG (20)	A1400 20HDG	N/A	N/A	UN 400-14 HDGAF (20)	N/A	W-210 HDGAF (20)
G584H1HDG	1121 HD (10)	PS 210 H 10 HG	AS-134-RS-HD (10)	S4H112HG (10)	A1400H 10HDG	N/A	N/A	UN 402-14 HDGAF (10)	N/A	W-210-H HDGAF (10)
G584H2HDG	1122 HD (20)	PS 210 H 20 HG	AS-134-RS-HD (20)	S4H112HG (20)	A1400H 20HDG	N/A	N/A	UN 402-14 HDGAF (20)	N/A	W-210-H HDGAF (20)
G584OS1HDG	1111 HD (10)	PS 210 EH 10 HG	AS-134-OS-HD (10)	S4SL2HG (10)	A1400HS 10HDG	N/A	N/A	UN 404-14 HDGAF (10)	N/A	W-210-SS HDGAF (10)
G584OS2HDG	1112 HD (20)	PS 210 EH 20 HG	AS-134-OS-HD (20)	S4SL2HG (20)	A1400HS 20HDG	N/A	N/A	UN 404-14 HDGAF (20)	N/A	W-210-SS HDGAF (20)
G584LS1HDG	1131 HD (10)	PS 210 S 10 HG	AS-134-SL-HD (10)	S4SL4HG (10)	A1400LS 10HDG	N/A	N/A	UN 405-14 HDGAF (10)	N/A	W-210-SL HDGAF (10)
G584LS2HDG	1132 HD (20)	PS 210 S 20 HG	AS-134-SL-HD (20)	S4SL4HG (20)	A1400LS 20HDG	N/A	N/A	UN 405-14 HDGAF (20)	N/A	W-210-SL HDGAF (20)
G584A1HDG	1101A HD (10)	PS 210 2T3 10 HG	AS-134A-HD (10)	S4BB-HG (10)	A1400-2 10HDG	N/A	N/A	UN 400-14BB HDGAF (10)	N/A	W-211 HDGAF (10)
G584A2HDG	1102A HD (20)	PS 210 2T3 20 HG	AS-134A-HD (20)	S4BB-HG (20)	A1400-2 20HDG	N/A	N/A	UN 400-14BB HDGAF (20)	N/A	W-211 HDGAF (20)
G584AOS1HDG	1111A HD (10)	N/A	AS-134A-OS-HD (10)		A1400-2HS 10HDG	N/A	N/A	UN 404-14BB HDGAF (10)	N/A	W-211-SS HDGAF (10)
G584AOS2HDG	1112A HD (20)	N/A	AS-134A-OS-HD (20)		A1400-2HS 20HDG	N/A	N/A	UN 404-14BB HDGAF (20)	N/A	W-211-SS HDGAF (20)
G584K01HDG	1141 HD (10)	PS 210 K06 10 HG	AS-134-KO-HD (10)	S4K06HG (10)	A1400KO 10HDG	N/A	N/A	UN 406-14 HDGAF (10)	N/A	W-210-KO HDGAF (10)
G584K02HDG	1142 HD (20)	PS 210 K06 20 HG	AS-134-KO-HD (20)	S4K06HG (20)	A1400KO 20HDG	N/A	N/A	UN 406-14 HDGAF (20)	N/A	W-210-KO HDGAF (20)
<b>Aluminum</b>										
G5841AL (N/A)	1101 AL (10)	PS 210 10 AL	AS-134-AL (10)	S4AL (10)	A1400 10AL	N/A	N/A	N/A	N/A	N/A
G5842AL (N/A)	1102 AL (20)	PS 210 20 AL	AS-134-AL (20)	S4AL (20)	A1400 20AL	N/A	N/A	N/A	N/A	N/A
G584H1AL (N/A)	1121 AL (10)	PS 210 H 10 AL	AS-134-RS-AL (10)	S4H112AL (10)	A1400H 10AL	N/A	N/A	N/A	N/A	N/A
G584H2AL (N/A)	1122 AL (20)	PS 210 H 20 AL	AS-134-RS-AL (20)	S4H112AL (20)	A1400H 20AL	N/A	N/A	N/A	N/A	N/A
G584OS1AL (N/A)	1111 AL (10)	PS 210 EH 10 AL	AS-134-OS-AL (10)	S4SL2AL (10)	A1400HS 10AL	N/A	N/A	N/A	N/A	N/A
G584OS2AL (N/A)	1112 AL (20)	PS 210 EH 20 AL	AS-134-OS-AL (20)	S4SL2AL (20)	A1400HS 20AL	N/A	N/A	N/A	N/A	N/A
G584LS1AL (N/A)	1131 AL (10)	PS 210 S 10 AL	AS-134-SL-AL (10)	S4SL4AL (10)	A1400LS 10AL	N/A	N/A	N/A	N/A	N/A
G584LS2AL (N/A)	1132 AL (20)	PS 210 S 20 AL	AS-134-SL-AL (20)	S4SL4AL (20)	A1400LS 20AL	N/A	N/A	N/A	N/A	N/A
G584A1AL (N/A)	1101A AL (10)	PS 210 2T3 10 AL	AS-134A-AL (10)	S4BB-AL (10)	A1400-2 10AL	N/A	N/A	N/A	N/A	N/A
G584A2AL (N/A)	1102A AL (20)	PS 210 2T3 20 AL	AS-134A-AL (20)	S4BB-AL (20)	A1400-2 20AL	N/A	N/A	N/A	N/A	N/A
G584AOS1AL (N/A)	1111A AL (10)	N/A	AS-134A-OS-AL (10)		A1400-2HS 10AL	N/A	N/A	N/A	N/A	N/A
G584AOS2AL (N/A)	1112A AL (20)	N/A	AS-134A-OS-AL (20)		A1400-2HS 20AL	N/A	N/A	N/A	N/A	N/A
G584K01AL (N/A)	1141 AL (10)	PS 210 K06 10 AL	AS-134-KO-AL (10)	S4K06AL (10)	A1400KO 10AL	N/A	N/A	N/A	N/A	N/A
G584K02AL (N/A)	1142 AL (20)	PS 210 K06 20 AL	AS-134-KO-AL (20)	S4K06AL (20)	A1400KO 20AL	N/A	N/A	N/A	N/A	N/A
<b>PVC Coated (Galvanized or Black)</b>										
G5841PVC	N/A	N/A	AS-134-PVC (10)	S4PVC (10)	A1400 10PVC	N/A	N/A	UN 400-14 PVC (10)	N/A	
G5842PVC	N/A	N/A	AS-134-PVC (20)	S4PVC (20)	A1400 20PVC	N/A	N/A	UN 400-14 PVC (20)	N/A	
G584H1PVC	N/A	N/A	AS-134-RS-PVC (10)	S4H112PVC (10)	A1400H 10PVC	N/A	N/A	UN 402-14 PVC (10)	N/A	
G584H2PVC	N/A	N/A	AS-134-RS-PVC (20)	S4H112PVC (20)	A1400H 20PVC	N/A	N/A	UN 402-14 PVC (20)	N/A	
G584OS1PVC	N/A	N/A	AS-134-OS-PVC (10)	S4SL2PVC (10)	A1400HS 10PVC	N/A	N/A	UN 404-14 PVC (10)	N/A	
G584OS2PVC	N/A	N/A	AS-134-OS-PVC (20)	S4SL2PVC (20)	A1400HS 20PVC	N/A	N/A	UN 404-14 PVC (20)	N/A	
G584LS1PVC	N/A	N/A	AS-134-SL-PVC (10)	S4SL4PVC (10)	A1400LS 10PVC	N/A	N/A	UN 405-14 PVC (10)	N/A	
G584LS2PVC	N/A	N/A	AS-134-SL-PVC (20)	S4SL4PVC (20)	A1400LS 20PVC	N/A	N/A	UN 405-14 PVC (20)	N/A	
G584A1PVC	N/A	N/A	AS-134A-PVC (10)	S4BB-PVC (10)	A1400-2 10PVC	N/A	N/A	UN 400-14BB PVC (10)	N/A	
G584A2PVC	N/A	N/A	AS-134A-PVC (20)	S4BB-PVC (20)	A1400-2 20PVC	N/A	N/A	UN 400-14BB PVC (20)	N/A	
G584AOS1PVC	N/A	N/A	AS-134A-OS-PVC (10)		A1400-2HS 10PVC	N/A	N/A	UN 404-14BB PVC (10)	N/A	
G584AOS2PVC	N/A	N/A	AS-134A-OS-PVC (20)		A1400-2HS 20PVC	N/A	N/A	UN 404-14BB PVC (20)	N/A	
G584K01PVC	N/A	N/A	AS-134-KO-PVC (10)	S4K06PVC (10)	A1400KO 10PVC	N/A	N/A	UN 406-14 PVC (10)	N/A	
G584K02PVC	N/A	N/A	AS-134-KO-PVC (20)	S4K06PVC (20)	A1400KO 20PVC	N/A	N/A	UN 406-14 PVC (20)	N/A	
<b>Pre-Galvanized - G-382 - 1-3/8" x 1-5/8"</b>										
G3821	1701 PG (10)	PS 300 10 PG	AS-142-PG (10)	N/A	C1200 10PG	B-12 10	P3000 10PG	UN 300-14 PG (10)	VA-6 EG (10)	W-300 PRE-GALV (10)
G3822	1702 PG (20)	PS 300 20 PG	AS-142-PG (20)	N/A	C1200 20PG	B-12 20	P3000 20PG	UN 300-14 PG (20)	VA-6 EG (20)	W-300 PRE-GALV (20)
G382H1	1721 PG (10)	PS 300 H 10 PG	AS-142-RS-PG (10)	N/A	N/A	N/A	P3000 HS 10PG	UN 302-14 PG (10)	VA-6P1.87 EG (10)	W-300-H PRE-GALV (10)
G382H2	1722 PG (20)	PS 300 H 20 PG	AS-142-RS-PG (20)	N/A	N/A	N/A	P3000 HS 20PG	UN 302-14 PG (20)	VA-6P1.87 EG (20)	W-300-H PRE-GALV (20)
G382OS1	1711 PG (10)	PS 300 EH 10 PG	AS-142-OS-PG (10)	N/A	C1200HS 10PG	N/A	P3000 T 10PG	UN 304-14 PG (10)	VA-6PLH EG (10)	W-300-SS PRE-GALV (10)
G382OS2	1712 PG (20)	PS 300 EH 20 PG	AS-142-OS-PG (20)	N/A	C1200HS 20PG	N/A	P3000 T 20PG	UN 304-14 PG (20)	VA-6PLH EG (20)	W-300-SS PRE-GALV (20)
G382LS1	1731 PG (10)	PS 300 S 10 PG	AS-142-SL-PG (10)	N/A	N/A	N/A	P3000 SL 10PG	UN 305-14 PG (10)	VA-6P3S EG (10)	W-300-SL PRE-GALV (10)
G382LS2	1732 PG (20)	PS 300 S 20 PG	AS-142-SL-PG (20)	N/A	N/A	N/A	P3000 SL 20PG	UN 305-14 PG (20)	VA-6P3S EG (20)	W-300-SL PRE-GALV (20)
G382A1	1701A PG (10)	PS 300 2T3 10 PG	AS-142A-PG (10)	N/A	C1200-2 10PG	B-12A 10	P3001 10PG	UN 300-14BB PG (10)	VA-6201 EG (10)	W-301 PRE-GALV (10)
G382A2	1702A PG (20)	PS 300 2T3 20 PG	AS-142A-PG (20)	N/A	C1200-2 20PG	B-12A 20	P3001 20PG	UN 300-14BB PG (20)	VA-6201 EG (20)	W-301 PRE-GALV (20)
G382AOS1	1711A PG (10)	PS 300 2T3 EH 10 PG	AS-142A-OS-PG (10)	N/A	C1200-2HS 10PG	N/A	P3001T 10PG	UN 304-14BB PG (10)	N/A	W-301-SS PRE-GALV (10)
G382AOS2	1712A PG (20)	PS 300 2T3 EH 20 PG	AS-142A-OS-PG (20)	N/A	C1200-2HS 20PG	N/A	P3001T 20PG	UN 304-14BB PG (20)	N/A	W-301-SS PRE-GALV (20)
G382K01	1741 PG (10)	N/A	AS-142-KO-PG (10)	N/A	N/A	N/A	P3000 KO 10PG	UN 306-14 PG (10)	N/A	W-300-KO PRE-GALV (10)
G382K02	1742 PG (20)	N/A	AS-142-KO-PG (20)	N/A	N/A	N/A	P3000 KO 20PG	UN 306-14 PG (20)	N/A	W-300-KO PRE-GALV (20)

(GREGORY) G-STRUT	(ANVIL INTERNATIONAL) ANVIL STRUT	(COOPER) B-LINE	(CULLY) MINERALLAC	(ELITE) ELITE COMPONENTS	(ERICO) ERI-STRUT	(FLEX STRUT) FLEX STRUT	(FLORIDA STRUT) FLORIDA STRUT	(GS METALS) GLOBE STRUT	(HAYDON) H-STRUT
<b>Green</b>									
G3821POP	AS 300-GR 10	B32 GRN 120	N/A	N/A	B121000GN	FS-300-GR-10	N/A	G-3812-GR (10)	H-142-GRN X 10
G3822POP	AS 300-GR 20	B32 GRN 240	N/A	N/A	B122000GRN	FS-300-GR-20	N/A	G-3812-GR (20)	H-142-GRN X 20
G382H1POP	AS 300H-GR 10	B32 H17/8 GRN 120	N/A	N/A		FS-300-H-GR-10	N/A	G-3812-PO-GR (10)	H-142-RS-GRN X 10
G382OS1POP	AS 300EH-GR 10	B32 SH GRN 120	N/A	N/A	B12HS1000GN	FS-300-SS-GR-10	N/A	G-3812-SH-GR (10)	H-142-OS-GRN X 10
G382OS2POP	AS 300EH-GR 20	B32 SH GRN 240	N/A	N/A	B12HS2000GN	FS-300-SS-GR-20	N/A	G-3812-SH-GR (20)	H-142-OS-GRN X 20
G382LS1POP	AS 300S-GR 10	B32 S GRN 120	N/A	N/A		FS-300-SL-GR-10	N/A	G-3812-SL-GR (10)	H-142-OS3-GRN X 10
G382LS2POP	AS 300S-GR 20	B32 S GRN 240	N/A	N/A		FS-300-SL-GR-20	N/A	G-3812-SL-GR (20)	H-142-OS3-GRN X 20
G382A1POP	AS 300BTB-GR 10	B32A GRN 120	N/A	N/A		FS-301-GR-10	N/A	G-3812-A-GR (10)	H-142-A-GRN X 10
G382A2POP	AS 300BTB-GR 20	B32A GRN 240	N/A	N/A		FS-301-GR-20	N/A	G-3812-A-GR (20)	H-142-A-GRN X 20
G382AOS1POP			N/A	N/A			N/A	N/A	
G382AOS2POP			N/A	N/A			N/A	N/A	
G382K01POP	AS 300K0-GR 10	B32 K06 GRN 120	N/A	N/A		FS-300-K0-GR-10	N/A	G-3812-K0-GR (10)	H-142-K0-GRN X 10
G382K02POP	AS 300K0-GR 20	B32 K06 GRN 240	N/A	N/A		FS-300-K0-GR-20	N/A	G-3812-K0-GR (20)	H-142-K0-GRN X 20
<b>Yellow Zinc Dichromate</b>									
G3821YZ			N/A	N/A		N/A	N/A	N/A	
G3822YZ			N/A	N/A		N/A	N/A	N/A	
G382H1YZ			N/A	N/A		N/A	N/A	N/A	
G382H2YZ			N/A	N/A		N/A	N/A	N/A	
G382OS1YZ			N/A	N/A		N/A	N/A	N/A	
G382OS2YZ			N/A	N/A		N/A	N/A	N/A	
G382LS1YZ			N/A	N/A		N/A	N/A	N/A	
G382LS2YZ			N/A	N/A		N/A	N/A	N/A	
G382A1YZ			N/A	N/A		N/A	N/A	N/A	
G382A2YZ			N/A	N/A		N/A	N/A	N/A	
G382AOS1YZ			N/A	N/A		N/A	N/A	N/A	
G382AOS2YZ			N/A	N/A		N/A	N/A	N/A	
G382K01YZ			N/A	N/A		N/A	N/A	N/A	
G382K02YZ			N/A	N/A		N/A	N/A	N/A	
<b>Galvannealed (WIZcoat™)</b>									
G3821GN	N/A	N/A	N/A	N/A	N/A	N/A	N/A	N/A	N/A
G3822GN	N/A	N/A	N/A	N/A	N/A	N/A	N/A	N/A	N/A
G382H1GN	N/A	N/A	N/A	N/A	N/A	N/A	N/A	N/A	N/A
G382H2GN	N/A	N/A	N/A	N/A	N/A	N/A	N/A	N/A	N/A
G382OS1GN	N/A	N/A	N/A	N/A	N/A	N/A	N/A	N/A	N/A
G382OS2GN	N/A	N/A	N/A	N/A	N/A	N/A	N/A	N/A	N/A
G382LS1GN	N/A	N/A	N/A	N/A	N/A	N/A	N/A	N/A	N/A
G382LS2GN	N/A	N/A	N/A	N/A	N/A	N/A	N/A	N/A	N/A
G382A1GN	N/A	N/A	N/A	N/A	N/A	N/A	N/A	N/A	N/A
G382A2GN	N/A	N/A	N/A	N/A	N/A	N/A	N/A	N/A	N/A
G382AOS1GN	N/A	N/A	N/A	N/A	N/A	N/A	N/A	N/A	N/A
G382AOS2GN	N/A	N/A	N/A	N/A	N/A	N/A	N/A	N/A	N/A
G382K01GN	N/A	N/A	N/A	N/A	N/A	N/A	N/A	N/A	N/A
G382K02GN	N/A	N/A	N/A	N/A	N/A	N/A	N/A	N/A	N/A
<b>Plain, Pickled, and Oiled</b>									
G3821PO	AS 300-PL 10	B32 PLN 120	N/A	N/A		FS-300-PL-10	N/A		H-142-PL X 10
G3822PO	AS 300-PL 20	B32 PLN 240	N/A	N/A		FS-300-PL-20	N/A		H-142-PL X 20
G382H1PO	AS 300H-PL 10	B32 H17/8 PLN 120	N/A	N/A		FS-300-H-PL-10	N/A		H-142-RS-PL X 10
G382H2PO	AS 300H-PL 20	B32 H17/8 PLN 240	N/A	N/A		FS-300-H-PL-20	N/A		H-142-RS-PL X 20
G382OS1PO	AS 300EH-PL 10	B32 SH PLN 120	N/A	N/A		FS-300-SS-PL-10	N/A		H-142-OS-PL X 10
G382OS2PO	AS 300EH-PL 20	B32 SH PLN 240	N/A	N/A		FS-300-SS-PL-20	N/A		H-142-OS-PL X 20
G382LS1PO	AS 300S-PL 10	B32 S PLN 120	N/A	N/A		FS-300-SL-PL-10	N/A		H-142-OS3-PL X 10
G382LS2PO	AS 300S-PL 20	B32 S PLN 240	N/A	N/A		FS-300-SL-PL-20	N/A		H-142-OS3-PL X 20
G382A1PO	AS 300BTB-PL 10	B32A PLN 120	N/A	N/A		FS-301-PL-10	N/A		H-142-A-PL X 10
G382A2PO	AS 300BTB-PL 20	B32A PLN 240	N/A	N/A		FS-301-PL-20	N/A		H-142-A-PL X 20
G382AOS1PO			N/A	N/A			N/A	N/A	
G382AOS2PO			N/A	N/A			N/A	N/A	
G382K01PO	AS 300K0-PL 10	B32 K06 PLN 120	N/A	N/A		FS-300-K0-PL-10	N/A	N/A	H-142-K0-PL X 10
G382K02PO	AS 300K0-PL 20	B32 K06 PLN 240	N/A	N/A		FS-300-K0-PL-20	N/A		H-142-K0-PL X 20
<b>Hot-dipped Galvanized</b>									
G3821HDG		B32 HDG 120	N/A	N/A		FS-300-HG-10	N/A	G-3812-HDG (10)	
G3822HDG		B32 HDG 240	N/A	N/A		FS-300-HG-20	N/A	G-3812-HDG (20)	
G382H1HDG		B32 H17/8 HDG 120	N/A	N/A		FS-300-H-HG-10	N/A	G-3812-PO-HDG (10)	
G382H2HDG		B32 H17/8 HDG 240	N/A	N/A		FS-300-H-HG-20	N/A	G-3812-PO-HDG (20)	
G382OS1HDG		B32 SH HDG 120	N/A	N/A		FS-300-SS-HG-10	N/A	G-3812-SH-HDG (10)	
G382OS2HDG		B32 SH HDG 240	N/A	N/A		FS-300-SS-HG-20	N/A	G-3812-SH-HDG (20)	
G382LS1HDG		B32 S HDG 120	N/A	N/A		FS-300-SL-HG-10	N/A	G-3812-SL-HDG (10)	
G382LS2HDG		B32 S HDG 240	N/A	N/A		FS-300-SL-HG-20	N/A	G-3812-SL-HDG (20)	
G382A1HDG		B32A HDG 120	N/A	N/A		FS-301-HG-10	N/A	G-3812-A-HDG (10)	
G382A2HDG		B32A HDG 240	N/A	N/A		FS-301-HG-20	N/A	G-3812-A-HDG (20)	
G382AOS1HDG			N/A	N/A			N/A	N/A	
G382AOS2HDG			N/A	N/A			N/A	N/A	
G382K01HDG		B32 K06 HDG 120	N/A	N/A		FS-300-K0-HG-10	N/A	G-3812-K0-HDG (10)	
G382K02HDG		B32 K06 HDG 240	N/A	N/A		FS-300-K0-HG-20	N/A	G-3812-K0-HDG (20)	

CROSS REFERENCE

(GREGORY) G-STRUT	(PHD MFG) PHD STRUT	(TYCO / ALLIED) POWER-STRUT	(POWER-UTILITY PRODUCTS) PUPCO	(SASCO) SASCO STRUT	(THOMAS & BETTS) SUPER-STRUT	(TOLCO) TOL-STRUT	(TYCO) UNI-STRUT	(UNITRON) U.S. STRUT	(VERSABAR CORP) VERSABAR	WESANC WESTRUT
<b>Green</b>										
G3821POP	N/A	PS 300 10 GR	AS-142-GR (10)	N/A	C1200 10GR	N/A	P3000 10GR	UN 300-14 GREEN (10)	N/A	W-300 GREEN (10)
G3822POP	N/A	PS 300 20 GR	AS-142-GR (20)	N/A	C1200 20GR	N/A	P3000 20GR	UN 300-14 GREEN (20)	N/A	W-300 GREEN (20)
G382H1POP	N/A	PS 300 H 10 GR	AS-142-RS-GR (10)	N/A	N/A	N/A	P3000 HS 10GR	UN 302-14 GREEN (10)	N/A	W-300-H GREEN (10)
G382H2POP	N/A	PS 300 H 20 GR	AS-142-RS-GR (20)	N/A	N/A	N/A	P3000 HS 20GR	UN 302-14 GREEN (20)	N/A	W-300-H GREEN (20)
G382OS1POP	N/A	PS 300 EH 10 GR	AS-142-OS-GR (10)	N/A	C1200HS 10GR	N/A	P3000 T 10GR	UN 304-14 GREEN (10)	N/A	W-300-SS GREEN (10)
G382OS2POP	N/A	PS 300 EH 20 GR	AS-142-OS-GR (20)	N/A	C1200HS 20GR	N/A	P3000 T 20GR	UN 304-14 GREEN (20)	N/A	W-300-SS GREEN (20)
G382LS1POP	N/A	PS 300 S 10 GR	AS-142-SL-GR (10)	N/A	N/A	N/A	P3000 SL 10GR	UN 305-14 GREEN (10)	N/A	W-300-SL GREEN (10)
G382LS2POP	N/A	PS 300 S 20 GR	AS-142-SL-GR (20)	N/A	N/A	N/A	P3000 SL 20GR	UN 305-14 GREEN (20)	N/A	W-300-SL GREEN (20)
G382A1POP	N/A	PS 300 2T3 10 GR	AS-142A-GR (10)	N/A	C1200-2 10GR	N/A	P3001 10GR	UN 300-14BB GREEN (10)	N/A	W-301 GREEN (10)
G382A2POP	N/A	PS 300 2T3 20 GR	AS-142A-GR (20)	N/A	C1200-2 20GR	N/A	P3001 20GR	UN 300-14BB GREEN (20)	N/A	W-301 GREEN (20)
G382AOS1POP	N/A	PS 300 2T3 EH 10 GR	AS-142A-OS-GR (10)	N/A	C1200-2HS 10GR	N/A	N/A	UN 304-14BB GREEN (10)	N/A	W-301-SS GREEN (10)
G382AOS2POP	N/A	PS 300 2T3 EH 20 GR	AS-142A-OS-GR (20)	N/A	C1200-2HS 20GR	N/A	N/A	UN 304-14BB GREEN (20)	N/A	W-301-SS GREEN (20)
G382KO1POP	N/A	N/A	AS-142-KO-GR (10)	N/A	N/A	N/A	P3000 KO 10GR	UN 306-14 GREEN (10)	N/A	W-300-KO GREEN (10)
G382KO2POP	N/A	N/A	AS-142-KO-GR (20)	N/A	N/A	N/A	P3000 KO 20GR	UN 306-14 GREEN (20)	N/A	W-300-KO GREEN (20)
<b>Yellow Zinc Dichromate</b>										
G3821YZ	N/A	PS 300 10 ZD	AS-142-GD (10)	N/A	N/A	N/A	N/A	N/A	N/A	N/A
G3822YZ	N/A	PS 300 20 ZD	AS-142-GD (20)	N/A	N/A	N/A	N/A	N/A	N/A	N/A
G382H1YZ	N/A	PS 300 H 10 ZD	AS-142-RS-GD (10)	N/A	N/A	N/A	N/A	N/A	N/A	N/A
G382H2YZ	N/A	PS 300 H 20 ZD	AS-142-RS-GD (20)	N/A	N/A	N/A	N/A	N/A	N/A	N/A
G382OS1YZ	N/A	PS 300 EH 10 ZD	AS-142-OS-GD (10)	N/A	N/A	N/A	N/A	N/A	N/A	N/A
G382OS2YZ	N/A	PS 300 EH 20 ZD	AS-142-OS-GD (20)	N/A	N/A	N/A	N/A	N/A	N/A	N/A
G382LS1YZ	N/A	PS 300 S 10 ZD	AS-142-SL-GD (10)	N/A	N/A	N/A	N/A	N/A	N/A	N/A
G382LS2YZ	N/A	PS 300 S 20 ZD	AS-142-SL-GD (20)	N/A	N/A	N/A	N/A	N/A	N/A	N/A
G382A1YZ	N/A	PS 300 2T3 10 ZD	AS-142A-GD (10)	N/A	N/A	N/A	N/A	N/A	N/A	N/A
G382A2YZ	N/A	PS 300 2T3 20 ZD	AS-142A-GD (20)	N/A	N/A	N/A	N/A	N/A	N/A	N/A
G382AOS1YZ	N/A	PS 300 2T3 EH 10 ZD	AS-142A-OS-GD (10)	N/A	N/A	N/A	N/A	N/A	N/A	N/A
G382AOS2YZ	N/A	PS 300 2T3 EH 20 ZD	AS-142A-OS-GD (20)	N/A	N/A	N/A	N/A	N/A	N/A	N/A
G382KO1YZ	N/A	N/A	AS-142-KO-GD (10)	N/A	N/A	N/A	N/A	N/A	N/A	N/A
G382KO2YZ	N/A	N/A	AS-142-KO-GD (20)	N/A	N/A	N/A	N/A	N/A	N/A	N/A
<b>Galvannealed (WIZcoat™)</b>										
G3821GN	N/A	N/A	N/A	N/A	N/A	N/A	N/A	N/A	N/A	N/A
G3822GN	N/A	N/A	N/A	N/A	N/A	N/A	N/A	N/A	N/A	N/A
G382H1GN	N/A	N/A	N/A	N/A	N/A	N/A	N/A	N/A	N/A	N/A
G382H2GN	N/A	N/A	N/A	N/A	N/A	N/A	N/A	N/A	N/A	N/A
G382OS1GN	N/A	N/A	N/A	N/A	N/A	N/A	N/A	N/A	N/A	N/A
G382OS2GN	N/A	N/A	N/A	N/A	N/A	N/A	N/A	N/A	N/A	N/A
G382LS1GN	N/A	N/A	N/A	N/A	N/A	N/A	N/A	N/A	N/A	N/A
G382LS2GN	N/A	N/A	N/A	N/A	N/A	N/A	N/A	N/A	N/A	N/A
G382A1GN	N/A	N/A	N/A	N/A	N/A	N/A	N/A	N/A	N/A	N/A
G382A2GN	N/A	N/A	N/A	N/A	N/A	N/A	N/A	N/A	N/A	N/A
G382AOS1GN	N/A	N/A	N/A	N/A	N/A	N/A	N/A	N/A	N/A	N/A
G382AOS2GN	N/A	N/A	N/A	N/A	N/A	N/A	N/A	N/A	N/A	N/A
G382KO1GN	N/A	N/A	N/A	N/A	N/A	N/A	N/A	N/A	N/A	N/A
G382KO2GN	N/A	N/A	N/A	N/A	N/A	N/A	N/A	N/A	N/A	N/A
<b>Plain, Pickled, and Oiled</b>										
G3821PO	1701 PL (10)	PS 300 10 PL	AS-142-BK (10)	N/A	C1200 10B	N/A	P3000 10PL	UN 300-14 PL (10)	VA-6 HRPO(10)	W-300 PLAIN (10)
G3822PO	1702 PL (20)	PS 300 20 PL	AS-142-BK (20)	N/A	C1200 20B	N/A	P3000 20PL	UN 300-14 PL (20)	VA-6 HRPO(20)	W-300 PLAIN (20)
G382H1PO	1721 PL (10)	PS 300 H 10 PL	AS-142-RS-BK (10)	N/A	N/A	N/A	P3000 HS 10PL	UN 302-14 PL (10)	VA-6P1.87 HRPO(10)	W-300-H PLAIN (10)
G382H2PO	1722 PL (20)	PS 300 H 20 PL	AS-142-RS-BK (20)	N/A	N/A	N/A	P3000 HS 20PL	UN 302-14 PL (20)	VA-6P1.87 HRPO(20)	W-300-H PLAIN (20)
G382OS1PO	1711 PL (10)	PS 300 EH 10 PL	AS-142-OS-BK (10)	N/A	C1200HS 10B	N/A	P3000 T 10PL	UN 304-14 PL (10)	VA-6PLH HRPO(10)	W-300-SS PLAIN (10)
G382OS2PO	1712 PL (20)	PS 300 EH 20 PL	AS-142-OS-BK (20)	N/A	C1200HS 20B	N/A	P3000 T 20PL	UN 304-14 PL (20)	VA-6PLH HRPO(20)	W-300-SS PLAIN (20)
G382LS1PO	1731 PL (10)	PS 300 S 10 PL	AS-142-SL-BK (10)	N/A	N/A	N/A	P3000 SL 10PL	UN 305-14 PL (10)	VA-6P3S HRPO(10)	W-300-SL PLAIN (10)
G382LS2PO	1732 PL (20)	PS 300 S 20 PL	AS-142-SL-BK (20)	N/A	N/A	N/A	P3000 SL 20PL	UN 305-14 PL (20)	VA-6P3S HRPO(20)	W-300-SL PLAIN (20)
G382A1PO	1701A PL (10)	PS 300 2T3 10 PL	AS-142A-BK (10)	N/A	C1200-2 10B	N/A	P3001 10PL	UN 300-14BB PL (10)	VA-6201 HRPO (10)	W-301 PLAIN (10)
G382A2PO	1702A PL (20)	PS 300 2T3 20 PL	AS-142A-BK (20)	N/A	C1200-2 20B	N/A	P3001 20PL	UN 300-14BB PL (20)	VA-6201 HRPO (10)	W-301 PLAIN (20)
G382AOS1PO	1711A PL (10)	PS 300 2T3 10 PL	AS-142A-OS-BK (10)	N/A	C1200-2HS 10B	N/A	N/A	UN 304-14BB PL (10)	N/A	W-301-SS PLAIN (10)
G382AOS2PO	1712A PL (20)	PS 300 2T3 20 PL	AS-142A-OS-BK (20)	N/A	C1200-2HS 20B	N/A	N/A	UN 304-14BB PL (20)	N/A	W-301-SS PLAIN (20)
G382KO1PO	1741 PL (10)	N/A	AS-142-KO-BK (10)	N/A	N/A	N/A	P3000 KO 10PL	UN 306-14 PL (10)	N/A	W-300-KO PLAIN (10)
G382KO2PO	1742 PL (20)	N/A	AS-142-KO-BK (20)	N/A	N/A	N/A	P3000 KO 20PL	UN 306-14 PL (20)	N/A	W-300-KO PLAIN (20)
<b>Hot-dipped Galvanized</b>										
G3821HDG	1701 HD (10)	PS 300 10 HG	AS-142-HD (10)	N/A	C1200 10HDG	N/A	P3000 10HG	UN 300-14 HDGAF (10)	N/A	W-300 HDGAF (10)
G3822HDG	1702 HD (20)	PS 300 20 HG	AS-142-HD (20)	N/A	C1200 20HDG	N/A	P3000 20HG	UN 300-14 HDGAF (20)	N/A	W-300 HDGAF (20)
G382H1HDG	1721 HD (10)	PS 300 H 10 HG	AS-142-RS-HD (10)	N/A	N/A	N/A	P3000 HS 10HG	UN 302-14 HDGAF (10)	N/A	W-300-H HDGAF (10)
G382H2HDG	1722 HD (20)	PS 300 H 20 HG	AS-142-RS-HD (20)	N/A	N/A	N/A	P3000 HS 20HG	UN 302-14 HDGAF (20)	N/A	W-300-H HDGAF (20)
G382OS1HDG	1711 HD (10)	PS 300 EH 10 HG	AS-142-OS-HD (10)	N/A	C1200HS 10HDG	N/A	P3000 T 10HG	UN 304-14 HDGAF (10)	N/A	W-300-SS HDGAF (10)
G382OS2HDG	1712 HD (20)	PS 300 EH 20 HG	AS-142-OS-HD (20)	N/A	C1200HS 20HDG	N/A	P3000 T 20HG	UN 304-14 HDGAF (20)	N/A	W-300-SS HDGAF (20)
G382LS1HDG	1731 HD (10)	PS 300 S 10 HG	AS-142-SL-HD (10)	N/A	N/A	N/A	P3000 SL 10HG	UN 305-14 HDGAF (10)	N/A	W-300-SL HDGAF (10)
G382LS2HDG	1732 HD (20)	PS 300 S 20 HG	AS-142-SL-HD (20)	N/A	N/A	N/A	P3000 SL 20HG	UN 305-14 HDGAF (20)	N/A	W-300-SL HDGAF (20)
G382A1HDG	1701A HD (10)	PS 300 2T3 10 HG	AS-142A-HD (10)	N/A	C1200-2 10HDG	N/A	P3001 10HG	UN 300-14BB HDGAF (10)	N/A	W-301 HDGAF (10)
G382A2HDG	1702A HD (20)	PS 300 2T3 20 HG	AS-142A-HD (20)	N/A	C1200-2 20HDG	N/A	P3001 20HG	UN 300-14BB HDGAF (20)	N/A	W-301 HDGAF (20)
G382AOS1HDG	1711A HD (10)	PS 300 2T3 EH 10 HG	AS-142A-OS-HD (10)	N/A	C1200-2HS 10HDG	N/A	N/A	UN 304-14BB HDGAF (10)	N/A	W-301-SS HDGAF (10)
G382AOS2HDG	1712A HD (20)	PS 300 2T3 EH 20 HG	AS-142A-OS-HD (20)	N/A	C1200-2HS 20HDG	N/A	N/A	UN 304-14BB HDGAF (20)	N/A	W-301-SS HDGAF (20)
G382KO1HDG	1741 HD (10)	N/A	AS-142-KO-HD (10)	N/A	N/A	N/A	P3000 KO 10HG	UN 306-14 HDGAF (10)	N/A	W-300-KO HDGAF (10)
G382KO2HDG	1742 HD (20)	N/A	AS-142-KO-HD (20)	N/A	N/A	N/A	P3000 KO 20HG	UN 306-14 HDGAF (20)	N/A	W-300-KO HDGAF (20)

CROSS  
REFERENCE



(GREGORY) G-STRUT	(ANVIL INTERNATIONAL) ANVIL STRUT	(COOPER) B-LINE	(CULLY) MINERALLAC	(ELITE) ELIITE COMPONENTS	(ERICO) ERI-STRUT	(FLEX STRUT) FLEX STRUT	(FLORIDA STRUT) FLORIDA STRUT	(GS METALS) GLOBE STRUT	(HAYDON) H-STRUT
<b>Stainless Steel (Grade 304) (N/A)</b>									
G3821SS (304) (N/A)		B32 SS4 120	N/A	N/A		N/A	N/A	N/A	H-142-SS X 10
G3822SS (304) (N/A)		B32 SS4 240	N/A	N/A		N/A	N/A	N/A	H-142-SS X 20
G382H1SS (304) (N/A)		B32 H17/8 SS4 120	N/A	N/A		N/A	N/A	N/A	H-142-RS-SS X 10
G382OS1SS (304) (N/A)		B32 SH SS4 120	N/A	N/A		N/A	N/A	N/A	H-142-OS-SS X 10
G382OS2SS (304) (N/A)		B32 SH SS4 240	N/A	N/A		N/A	N/A	N/A	H-142-OS-SS X 20
G382LS1SS (304) (N/A)		B32 S SS4 120	N/A	N/A		N/A	N/A	N/A	H-142-OS3-SS X 10
G382LS2SS (304) (N/A)		B32 S SS4 240	N/A	N/A		N/A	N/A	N/A	H-142-OS3-SS X 20
G382A1SS (304) (N/A)		B32A SS4 120	N/A	N/A		N/A	N/A	N/A	H-142-A-SS X 10
G382A2SS (304) (N/A)		B32A SS4 240	N/A	N/A		N/A	N/A	N/A	H-142-A-SS X 20
G382AOS1SS (304) (N/A)			N/A	N/A		N/A	N/A	N/A	
G382AOS2SS (304) (N/A)			N/A	N/A		N/A	N/A	N/A	
G382KO1SS (304) (N/A)		B32 K06 120	N/A	N/A		N/A	N/A	N/A	H-142-KO-SS X 10
G382KO2SS (304) (N/A)		B32 K06 240	N/A	N/A		N/A	N/A	N/A	H-142-KO-SS X 20
<b>Stainless Steel (Grade 316) (N/A)</b>									
G3821SS (316) (N/A)		N/A	N/A	N/A		N/A	N/A	N/A	H-142-SS(316) X 10
G3822SS (316) (N/A)		N/A	N/A	N/A		N/A	N/A	N/A	H-142-SS(316) X 20
G382H1SS (316) (N/A)		N/A	N/A	N/A		N/A	N/A	N/A	H-142-RS-SS(316) X 10
G382H2SS (316) (N/A)		N/A	N/A	N/A		N/A	N/A	N/A	H-142-RS-SS(316) X 20
G382OS1SS (316) (N/A)		N/A	N/A	N/A		N/A	N/A	N/A	H-142-OS-SS(316) X 10
G382OS2SS (316) (N/A)		N/A	N/A	N/A		N/A	N/A	N/A	H-142-OS-SS(316) X 20
G382LS1SS (316) (N/A)		N/A	N/A	N/A		N/A	N/A	N/A	H-142-OS3-SS(316) X 10
G382LS2SS (316) (N/A)		N/A	N/A	N/A		N/A	N/A	N/A	H-142-OS3-SS(316) X 20
G382A1SS (316) (N/A)		N/A	N/A	N/A		N/A	N/A	N/A	H-142-A-SS(316) X 10
G382A2SS (316) (N/A)		N/A	N/A	N/A		N/A	N/A	N/A	H-142-A-SS(316) X 20
G382AOS1SS (316) (N/A)		N/A	N/A	N/A		N/A	N/A	N/A	
G382AOS-2SS (316) (N/A)		N/A	N/A	N/A		N/A	N/A	N/A	
G382KO1SS (316) (N/A)		N/A	N/A	N/A		N/A	N/A	N/A	H-142-KO-SS(316) X 10
G382KO2SS (316) (N/A)		N/A	N/A	N/A		N/A	N/A	N/A	H-142-KO-SS(316) X 20
<b>Aluminum Extruded (N/A)</b>									
G3821AL (N/A)		N/A	N/A	N/A		N/A	N/A	G-3812-AL (10)	
G3822AL (N/A)		N/A	N/A	N/A		N/A	N/A	G-3812-AL (20)	
G382H1AL (N/A)		N/A	N/A	N/A		N/A	N/A	G-3812-PO-AL (10)	
G382H2AL (N/A)		N/A	N/A	N/A		N/A	N/A	G-3812-PO-AL (20)	
G382OS1AL (N/A)		N/A	N/A	N/A		N/A	N/A	N/A	
G382OS2AL (N/A)		N/A	N/A	N/A		N/A	N/A	N/A	
G382LS1AL (N/A)		N/A	N/A	N/A		N/A	N/A	N/A	
G382LS2AL (N/A)		N/A	N/A	N/A		N/A	N/A	N/A	
G382A1AL (N/A)		N/A	N/A	N/A		N/A	N/A	N/A	
G382A2AL (N/A)		N/A	N/A	N/A		N/A	N/A	N/A	
G382AOS1AL (N/A)		N/A	N/A	N/A		N/A	N/A	N/A	
G382AOS2AL (N/A)		N/A	N/A	N/A		N/A	N/A	N/A	
G382KO1AL (N/A)		N/A	N/A	N/A		N/A	N/A	N/A	
G382KO2AL (N/A)		N/A	N/A	N/A		N/A	N/A	N/A	
<b>PVC Coated (Galvanized or Black)</b>									
G3821PVC		N/A	N/A	N/A		N/A	N/A	N/A	
G3822PVC		N/A	N/A	N/A		N/A	N/A	N/A	
G382H1PVC		N/A	N/A	N/A		N/A	N/A	N/A	
G382H2PVC		N/A	N/A	N/A		N/A	N/A	N/A	
G382OS1PVC		N/A	N/A	N/A		N/A	N/A	N/A	
G382OS2PVC		N/A	N/A	N/A		N/A	N/A	N/A	
G382LS1PVC		N/A	N/A	N/A		N/A	N/A	N/A	
G382LS2PVC		N/A	N/A	N/A		N/A	N/A	N/A	
G382A1PVC		N/A	N/A	N/A		N/A	N/A	N/A	
G382A2PVC		N/A	N/A	N/A		N/A	N/A	N/A	
G382AOS1PVC		N/A	N/A	N/A		N/A	N/A	N/A	
G382AOS2PVC		N/A	N/A	N/A		N/A	N/A	N/A	
G382KO1PVC		N/A	N/A	N/A		N/A	N/A	N/A	
G382KO2PVC		N/A	N/A	N/A		N/A	N/A	N/A	
<b>Pre-Galvanized - G-102 - 1" x 1-5/8"</b>									
G1021	AS 400-PG 10	B42 GALV 120	N/A	N/A	N/A	FS-400-PG-10	N/A	G-1012-PG (10)	H-152-PG X 10
G1022	AS 400-PG 20	B42 GALV 240	N/A	N/A	N/A	FS-400-PG-20	N/A	G-1012-PG (20)	H-152-PG X 20
G102H1	AS 400H-PG 10	B42 H17/8 GALV 120	N/A	N/A	N/A	FS-400-H-PG-10	N/A	G-1012-PO-PG (10)	H-152-RS-PG X 10
G102H2	AS 400H-PG 20	B42 H17/8 GALV 240	N/A	N/A	N/A	FS-400-H-PG-20	N/A	G-1012-PO-PG (20)	H-152-RS-PG X 20
G102OS1	AS 400EH-PG 10	B42 SH GALV 120	N/A	N/A	N/A	FS-400-SS-PG-10	N/A	G-1012-SH-PG (10)	H-152-OS-PG X 10
G102OS2	AS 400EH-PG 20	B42 SH GALV 240	N/A	N/A	N/A	FS-400-SS-PG-20	N/A	G-1012-SH-PG (20)	H-152-OS-PG X 20
G102LS1	AS 400S-PG 10	B42 S GALV 120	N/A	N/A	N/A	FS-400-SL-PG-10	N/A	G-1012-SL-PG (10)	H-152-OS3-PG X 10
G102LS2	AS 400S-PG 20	B42 S GALV 240	N/A	N/A	N/A	FS-400-SL-PG-20	N/A	G-1012-SL-PG (20)	H-152-OS3-PG X 20
G102A1	AS 400BTB-PG 10	B42A GALV 120	N/A	N/A	N/A	FS-401-PG-10	N/A	G-1012-A-PG (10)	H-152-A-PG X 10
G102A2	AS 400BTB-PG 20	B42A GALV 240	N/A	N/A	N/A	FS-401-PG-20	N/A	G-1012-A-PG (20)	H-152-A-PG X 20
G102AOS1			N/A	N/A	N/A		N/A	N/A	
G102AOS2			N/A	N/A	N/A		N/A	N/A	
G102KO1	AS 400KO-PG 10	B42 K06 GALV 120	N/A	N/A	N/A	FS-400-KO-PG-10	N/A	G-1012-KO-PG (10)	H-152-KO-PG X 10
G102KO2	AS 400KO-PG 20	B42 K06 GALV 240	N/A	N/A	N/A	FS-400-KO-PG-20	N/A	G-1012-KO-PG (20)	H-152-KO-PG X 20

CROSS REFERENCE

(GREGORY) G-STRUT	(PHD MFG) PHD STRUT	(TYCO / ALLIED) POWER-STRUT	(POWER-UTILITY PRODUCTS) PUPCO	(SASCO) SASCO STRUT	(THOMAS & BETTS) SUPER-STRUT	(TOLCO) TOL-STRUT	(TYCO) UNI-STRUT	(UNITRON) U.S. STRUT	(VERSABAR CORP) VERSABAR	(WESANCO) WESTRUT
<b>Stainless Steel (Grade 304) (N/A)</b>										
G3821SS (304) (N/A)	1701 SS304 (10)	PS 300 10 SS	AS-142-SS4 (10)	N/A		N/A	N/A	N/A	N/A	N/A
G3822SS (304) (N/A)	1702 SS304 (20)	PS 300 20 SS	AS-142-SS4 (20)	N/A		N/A	N/A	N/A	N/A	N/A
G382H1SS (304) (N/A)	1721 SS304 (10)	PS 300 H 10 SS	AS-142-RS-SS4 (10)	N/A		N/A	N/A	N/A	N/A	N/A
G382H2SS (304) (N/A)	1722 SS304 (20)	PS 300 H 20 SS	AS-142-RS-SS4 (20)	N/A		N/A	N/A	N/A	N/A	N/A
G382OS1SS (304) (N/A)	1711 SS304 (10)	PS 300 EH 10 SS	AS-142-OS-SS4 (10)	N/A		N/A	N/A	N/A	N/A	N/A
G382OS2SS (304) (N/A)	1712 SS304 (20)	PS 300 EH 20 SS	AS-142-OS-SS4 (20)	N/A		N/A	N/A	N/A	N/A	N/A
G382LS1SS (304) (N/A)	1731 SS304 (10)	PS 300 S 10 SS	AS-142-SL-SS4 (10)	N/A		N/A	N/A	N/A	N/A	N/A
G382LS2SS (304) (N/A)	1732 SS304 (20)	PS 300 S 20 SS	AS-142-SL-SS4 (20)	N/A		N/A	N/A	N/A	N/A	N/A
G382A1SS (304) (N/A)	1701A SS304 (10)	PS 300 2T3 10 SS	AS-142A-SS4 (10)	N/A		N/A	N/A	N/A	N/A	N/A
G382A2SS (304) (N/A)	1702A SS304 (20)	PS 300 2T3 20 SS	AS-142A-SS4 (20)	N/A		N/A	N/A	N/A	N/A	N/A
G382AOS1SS (304) (N/A)	1711A SS304 (10)	PS 300 2T3 EH 10 SS	AS-142A-OS-SS4 (10)	N/A		N/A	N/A	N/A	N/A	N/A
G382AOS2SS (304) (N/A)	1712A SS304 (20)	PS 300 2T3 EH 20 SS	AS-142A-OS-SS4 (20)	N/A		N/A	N/A	N/A	N/A	N/A
G382K01SS (304) (N/A)	1741 SS304 (10)	N/A	AS-142-KO-SS4 (10)	N/A		N/A	N/A	N/A	N/A	N/A
G382K02SS (304) (N/A)	1742 SS304 (20)	N/A	AS-142-KO-SS4 (20)	N/A		N/A	N/A	N/A	N/A	N/A
<b>Stainless Steel (Grade 316) (N/A)</b>										
G3821SS (316) (N/A)	1701 SS316 (10)	PS 300 10 SS(316)	AS-142-SS6 (10)	N/A		N/A	N/A	UN 300-14 SS316 (10)	N/A	N/A
G3822SS (316) (N/A)	1702 SS316 (20)	PS 300 20 SS(316)	AS-142-SS6 (20)	N/A		N/A	N/A	UN 300-14 SS316 (20)	N/A	N/A
G382H1SS (316) (N/A)	1721 SS316 (10)	PS 300 H 10 SS(316)	AS-142-RS-SS6 (10)	N/A		N/A	N/A	UN 302-14 SS316 (10)	N/A	N/A
G382H2SS (316) (N/A)	1722 SS316 (20)	PS 300 H 20 SS(316)	AS-142-RS-SS6 (20)	N/A		N/A	N/A	UN 302-14 SS316 (20)	N/A	N/A
G382OS1SS (316) (N/A)	1711 SS316 (10)	PS 300 EH 10 SS(316)	AS-142-OS-SS6 (10)	N/A		N/A	N/A	UN 304-14 SS316 (10)	N/A	N/A
G382OS2SS (316) (N/A)	1712 SS316 (20)	PS 300 EH 20 SS(316)	AS-142-OS-SS6 (20)	N/A		N/A	N/A	UN 304-14 SS316 (20)	N/A	N/A
G382LS1SS (316) (N/A)	1731 SS316 (10)	PS 300 S 10 SS(316)	AS-142-SL-SS6 (10)	N/A		N/A	N/A	UN 305-14 SS316 (10)	N/A	N/A
G382LS2SS (316) (N/A)	1732 SS316 (20)	PS 300 S 20 SS(316)	AS-142-SL-SS6 (20)	N/A		N/A	N/A	UN 305-14 SS316 (20)	N/A	N/A
G382A1SS (316) (N/A)	1701A SS316 (10)	PS 300 2T3 10 SS(316)	AS-142A-SS6 (10)	N/A		N/A	N/A	UN 300-14BB SS316 (10)	N/A	N/A
G382A2SS (316) (N/A)	1702A SS316 (20)	PS 300 2T3 20 SS(316)	AS-142A-SS6 (20)	N/A		N/A	N/A	UN 300-14BB SS316 (20)	N/A	N/A
G382AOS1SS (316) (N/A)	1711A SS316 (10)	PS 300 2T3 EH 10 SS(316)	AS-142A-OS-SS6 (10)	N/A		N/A	N/A	UN 304-14BB SS316 (10)	N/A	N/A
G382AOS2SS (316) (N/A)	1712A SS316 (20)	PS 300 2T3 EH 20 SS(316)	AS-142A-OS-SS6 (20)	N/A		N/A	N/A	UN 304-14BB SS316 (20)	N/A	N/A
G382K01SS (316) (N/A)	1741 SS316 (10)	N/A	AS-142-KO-SS6 (10)	N/A		N/A	N/A	UN 306-14 SS316 (10)	N/A	N/A
G382K02SS (316) (N/A)	1742 SS316 (20)	N/A	AS-142-KO-SS6 (20)	N/A		N/A	N/A	UN 306-14 SS316 (20)	N/A	N/A
<b>Aluminum Extruded (N/A)</b>										
G3821AL (N/A)	1701 AL (10)	PS 300 10 AL	AS-142-AL (10)	N/A	C1200 10AL	N/A	N/A	N/A	N/A	N/A
G3822AL (N/A)	1702 AL (20)	PS 300 20 AL	AS-142-AL (20)	N/A	C1200 20AL	N/A	N/A	N/A	N/A	N/A
G382H1AL (N/A)	1721 AL (10)	PS 300 H 10 AL	AS-142-RS-AL (10)	N/A	N/A	N/A	N/A	N/A	N/A	N/A
G382H2AL (N/A)	1722 AL (20)	PS 300 H 20 AL	AS-142-RS-AL (20)	N/A	N/A	N/A	N/A	N/A	N/A	N/A
G382OS1AL (N/A)	1711 AL (10)	PS 300 EH 10 AL	AS-142-OS-AL (10)	N/A	C1200HS 10AL	N/A	N/A	N/A	N/A	N/A
G382OS2AL (N/A)	1712 AL (20)	PS 300 EH 20 AL	AS-142-OS-AL (20)	N/A	C1200HS 20AL	N/A	N/A	N/A	N/A	N/A
G382LS1AL (N/A)	1731 AL (10)	PS 300 S 10 AL	AS-142-SL-AL (10)	N/A	N/A	N/A	N/A	N/A	N/A	N/A
G382LS2AL (N/A)	1732 AL (20)	PS 300 S 20 AL	AS-142-SL-AL (20)	N/A	N/A	N/A	N/A	N/A	N/A	N/A
G382A1AL (N/A)	1701A AL (10)	PS 300 2T3 10 AL	AS-142A-AL (10)	N/A	C1200-2 10AL	N/A	N/A	N/A	N/A	N/A
G382A2AL (N/A)	1702A AL (20)	PS 300 2T3 20 AL	AS-142A-AL (20)	N/A	C1200-2 20AL	N/A	N/A	N/A	N/A	N/A
G382AOS1AL (N/A)	1711A AL (10)	PS 300 2T3 EH 10 AL	AS-142A-OS-AL (10)	N/A	C1200-2HS 10AL	N/A	N/A	N/A	N/A	N/A
G382AOS2AL (N/A)	1712A AL (20)	PS 300 2T3 EH 20 AL	AS-142A-OS-AL (20)	N/A	C1200-2HS 20AL	N/A	N/A	N/A	N/A	N/A
G382K01AL (N/A)	1741 AL (10)	N/A	AS-142-KO-AL (10)	N/A	N/A	N/A	N/A	N/A	N/A	N/A
G382K02AL (N/A)	1742 AL (20)	N/A	AS-142-KO-AL (20)	N/A	N/A	N/A	N/A	N/A	N/A	N/A
<b>PVC Coated (Galvanized or Black)</b>										
G3821PVC	N/A	N/A	AS-142-PVC (10)	N/A	C1200 10PVC	N/A	N/A	UN 300-14 PVC (10)	N/A	N/A
G3822PVC	N/A	N/A	AS-142-PVC (20)	N/A	C1200 20PVC	N/A	N/A	UN 300-14 PVC (20)	N/A	N/A
G382H1PVC	N/A	N/A	AS-142-RS-PVC (10)	N/A	N/A	N/A	N/A	UN 302-14 PVC (10)	N/A	N/A
G382H2PVC	N/A	N/A	AS-142-RS-PVC (20)	N/A	N/A	N/A	N/A	UN 302-14 PVC (20)	N/A	N/A
G382OS1PVC	N/A	N/A	AS-142-OS-PVC (10)	N/A	C1200HS 10PVC	N/A	N/A	UN 304-14 PVC (10)	N/A	N/A
G382OS2PVC	N/A	N/A	AS-142-OS-PVC (20)	N/A	C1200HS 20PVC	N/A	N/A	UN 304-14 PVC (20)	N/A	N/A
G382LS1PVC	N/A	N/A	AS-142-SL-PVC (10)	N/A	N/A	N/A	N/A	UN 305-14 PVC (10)	N/A	N/A
G382LS2PVC	N/A	N/A	AS-142-SL-PVC (20)	N/A	N/A	N/A	N/A	UN 305-14 PVC (20)	N/A	N/A
G382A1PVC	N/A	N/A	AS-142A-PVC (10)	N/A	C1200-2 10PVC	N/A	N/A	UN 300-14BB PVC (10)	N/A	N/A
G382A2PVC	N/A	N/A	AS-142A-PVC (20)	N/A	C1200-2 20PVC	N/A	N/A	UN 300-14BB PVC (20)	N/A	N/A
G382AOS1PVC	N/A	N/A	AS-142A-OS-PVC (10)	N/A	C1200-2HS 10PVC	N/A	N/A	UN 304-14BB PVC (10)	N/A	N/A
G382AOS2PVC	N/A	N/A	AS-142A-OS-PVC (20)	N/A	C1200-2HS 20PVC	N/A	N/A	UN 304-14BB PVC (20)	N/A	N/A
G382K01PVC	N/A	N/A	AS-142-KO-PVC (10)	N/A	N/A	N/A	N/A	UN 306-14 PVC (10)	N/A	N/A
G382K02PVC	N/A	N/A	AS-142-KO-PVC (20)	N/A	N/A	N/A	N/A	UN 306-14 PVC (20)	N/A	N/A
<b>Pre-Galvanized - G-102 - 1" x 1-5/8"</b>										
G1021	1401 PG (10)	PS 400 10 PG	AS-152-PG (10)	S5G (10)	N/A	M-12 10	N/A	UN 200-14 PG (10)	VA-10 EG (10)	W-800 PRE-GALV (10)
G1022	1402 PG (20)	PS 400 20 PG	AS-152-PG (20)	S5G (20)	N/A	M-12 20	N/A	UN 200-14 PG (20)	VA-10 EG (20)	W-800 PRE-GALV (20)
G102H1	1421 PG (10)	PS 400 H 10 PG	AS-152-RS-PG (10)	S5H112G (10)	N/A	N/A	N/A	UN 202-14 PG (10)	VA-10P1.87 EG (10)	W-800-H PRE-GALV (10)
G102H2	1422 PG (20)	PS 400 H 20 PG	AS-152-RS-PG (20)	S5H112G (20)	N/A	N/A	N/A	UN 202-14 PG (20)	VA-10P1.87 EG (20)	W-800-H PRE-GALV (20)
G102OS1	1411 PG (10)	PS 400 EH 10 PG	AS-152-OS-PG (10)	S5SL2G (10)	N/A	N/A	N/A	UN 204-14 PG (10)	VA-10PLH EG (10)	W-800-SS PRE-GALV (10)
G102OS2	1412 PG (20)	PS 400 EH 20 PG	AS-152-OS-PG (20)	S5SL2G (20)	N/A	N/A	N/A	UN 204-14 PG (20)	VA-10PLH EG (20)	W-800-SS PRE-GALV (20)
G102LS1	1431 PG (10)	PS 400 S 10 PG	AS-152-SL-PG (10)	S5SL4G (10)	N/A	N/A	N/A	UN 205-14 PG (10)	VA-10P3S EG (10)	W-800-SL PRE-GALV (10)
G102LS2	1432 PG (20)	PS 400 S 20 PG	AS-152-SL-PG (20)	S5SL4G (20)	N/A	N/A	N/A	UN 205-14 PG (20)	VA-10P3S EG (20)	W-800-SL PRE-GALV (20)
G102A1	1401A PG (10)	PS 400 2T3 10 PG	AS-152A-PG (10)	S5BB-G (10)	N/A	M-12A 10	N/A	UN 200-14BB PG (10)	VA-10201 EG (10)	W-801 PRE-GALV (10)
G102A2	1402A PG (20)	PS 400 2T3 20 PG	AS-152A-PG (20)	S5BB-G (20)	N/A	M-12A 20	N/A	UN 200-14BB PG (20)	VA-10201 EG (20)	W-801 PRE-GALV (20)
G102AOS1	1411A PG (10)	N/A	AS-152A-OS-PG (10)	N/A	N/A	N/A	N/A	UN 204-14BB PG (10)	N/A	W-801-SS PRE-GALV (10)
G102AOS2	1412A PG (20)	N/A	AS-152A-OS-PG (20)	N/A	N/A	N/A	N/A	UN 204-14BB PG (20)	N/A	W-801-SS PRE-GALV (20)
G102K01	1441 PG (10)	N/A	AS-152-KO-PG (10)	S5K06G (10)	N/A	N/A	N/A	UN 206-14 PG (10)	N/A	W-800-KO PRE-GALV (10)
G102K02	1442 PG (20)	N/A	AS-152-KO-PG (20)	S5K06G (20)	N/A	N/A	N/A	UN 206-14 PG (20)	N/A	W-800-KO PRE-GALV (20)

CROSS REFERENCE



(GREGORY) G-STRUT	(ANVIL INTERNATIONAL) ANVIL STRUT	(COOPER) B-LINE	(CULLY) MINERALLAC	(ELITE) ELITE COMPONENTS	(ERICO) ERI-STRUT	(FLEX STRUT) FLEX STRUT	(FLORIDA STRUT) FLORIDA STRUT	(GS METALS) GLOBE STRUT	(HAYDON) H-STRUT
<b>Green</b>									
G1021POP	AS 400-GR 10	B42 GRN 120	N/A	N/A	N/A	FS-400-GR-10	N/A	G-1012-GR (10)	H-152-GRN X 10
G1022POP	AS 400-GR 20	B42 GRN 240	N/A	N/A	N/A	FS-400-GR-20	N/A	G-1012-GR (20)	H-152-GRN X 20
G102H1POP	AS 400H-GR 10	B42 H17/8 GRN 120	N/A	N/A	N/A	FS-400-H-GR-10	N/A	G-1012-PO-GR (10)	H-152-RS-GRN X 10
G102H2POP	AS 400H-GR 20	B42 H17/8 GRN 240	N/A	N/A	N/A	FS-400-H-GR-20	N/A	G-1012-PO-GR (20)	H-152-RS-GRN X 20
G102OS1POP	AS 400EH-GR 10	B42 SH GRN 120	N/A	N/A	N/A	FS-400-SS-GR-10	N/A	G-1012-SH-GR (10)	H-152-OS-GRN X 10
G102OS2POP	AS 400EH-GR 20	B42 SH GRN 240	N/A	N/A	N/A	FS-400-SS-GR-20	N/A	G-1012-SH-GR (20)	H-152-OS-GRN X 20
G102LS1POP	AS 400S-GR 10	B42 S GRN 120	N/A	N/A	N/A	FS-400-SL-GR-10	N/A	G-1012-SL-GR (10)	H-152-OS3-GRN X 10
G102LS2POP	AS 400S-GR 20	B42 S GRN 240	N/A	N/A	N/A	FS-400-SL-GR-20	N/A	G-1012-SL-GR (20)	H-152-OS3-GRN X 20
G102A1POP	AS 400BTB-GR 10	B42A GRN 120	N/A	N/A	N/A	FS-401-GR-10	N/A	G-1012-A-GR (10)	H-152-A-GRN X 10
G102A2POP	AS 400BTB-GR 20	B42A GRN 240	N/A	N/A	N/A	FS-401-GR-20	N/A	G-1012-A-GR (20)	H-152-A-GRN X 20
G102AOS1POP			N/A	N/A	N/A		N/A	N/A	
G102AOS2POP			N/A	N/A	N/A		N/A	N/A	
G102KO1POP	AS 400KO-GR 10	B42 K06 GRN 120	N/A	N/A	N/A	FS-400-KO-GR-10	N/A	G-1012-A-GR (10)	H-152-KO-GRN X 10
G102KO2POP	AS 400KO-GR 20	B42 K06 GRN 240	N/A	N/A	N/A	FS-400-KO-GR-20	N/A	G-1012-A-GR (20)	H-152-KO-GRN X 20
<b>Yellow Zinc Dichromate</b>									
G1021YZ		N/A	N/A	N/A	N/A	N/A	N/A	N/A	
G1022YZ		N/A	N/A	N/A	N/A	N/A	N/A	N/A	
G102H1YZ		N/A	N/A	N/A	N/A	N/A	N/A	N/A	
G102H2YZ		N/A	N/A	N/A	N/A	N/A	N/A	N/A	
G102OS1YZ		N/A	N/A	N/A	N/A	N/A	N/A	N/A	
G102OS2YZ		N/A	N/A	N/A	N/A	N/A	N/A	N/A	
G102LS1YZ		N/A	N/A	N/A	N/A	N/A	N/A	N/A	
G102LS2YZ		N/A	N/A	N/A	N/A	N/A	N/A	N/A	
G102A1YZ		N/A	N/A	N/A	N/A	N/A	N/A	N/A	
G102A2YZ		N/A	N/A	N/A	N/A	N/A	N/A	N/A	
G102AOS1YZ		N/A	N/A	N/A	N/A	N/A	N/A	N/A	
G102AOS2YZ		N/A	N/A	N/A	N/A	N/A	N/A	N/A	
G102KO1YZ		N/A	N/A	N/A	N/A	N/A	N/A	N/A	
G102KO2YZ		N/A	N/A	N/A	N/A	N/A	N/A	N/A	
<b>Galvannealed (WIZcoat™)</b>									
G1021GN	N/A	N/A	N/A	N/A	N/A	N/A	N/A	N/A	N/A
G1022GN	N/A	N/A	N/A	N/A	N/A	N/A	N/A	N/A	N/A
G102H1GN	N/A	N/A	N/A	N/A	N/A	N/A	N/A	N/A	N/A
G102H2GN	N/A	N/A	N/A	N/A	N/A	N/A	N/A	N/A	N/A
G102OS1GN	N/A	N/A	N/A	N/A	N/A	N/A	N/A	N/A	N/A
G102OS2GN	N/A	N/A	N/A	N/A	N/A	N/A	N/A	N/A	N/A
G102LS1GN	N/A	N/A	N/A	N/A	N/A	N/A	N/A	N/A	N/A
G102LS2GN	N/A	N/A	N/A	N/A	N/A	N/A	N/A	N/A	N/A
G102A1GN	N/A	N/A	N/A	N/A	N/A	N/A	N/A	N/A	N/A
G102A2GN	N/A	N/A	N/A	N/A	N/A	N/A	N/A	N/A	N/A
G102AOS1GN	N/A	N/A	N/A	N/A	N/A	N/A	N/A	N/A	N/A
G102AOS2GN	N/A	N/A	N/A	N/A	N/A	N/A	N/A	N/A	N/A
G102KO1GN	N/A	N/A	N/A	N/A	N/A	N/A	N/A	N/A	N/A
G102KO2GN	N/A	N/A	N/A	N/A	N/A	N/A	N/A	N/A	N/A
<b>Plain, Pickled, and Oiled</b>									
G1021PO	AS 400-PL 10	B42 PLN 120	N/A	N/A	N/A	FS-400-PL-10	N/A		H-152-PL X 10
G1022PO	AS 400-PL 20	B42 PLN 240	N/A	N/A	N/A	FS-400-PL-20	N/A		H-152-PL X 20
G102H1PO	AS 400H-PL 10	B42 H17/8 PLN 120	N/A	N/A	N/A	FS-400-H-PL-10	N/A		H-152-RS-PL X 10
G102H2PO	AS 400H-PL 20	B42 H17/8 PLN 240	N/A	N/A	N/A	FS-400-H-PL-20	N/A		H-152-RS-PL X 20
G102OS1PO	AS 400EH-PL 10	B42 SH PLN 120	N/A	N/A	N/A	FS-400-SS-PL-10	N/A		H-152-OS-PL X 10
G102OS2PO	AS 400EH-PL 20	B42 SH PLN 240	N/A	N/A	N/A	FS-400-SS-PL-20	N/A		H-152-OS-PL X 20
G102LS1PO	AS 400S-PL 10	B42 S PLN 120	N/A	N/A	N/A	FS-400-SL-PL-10	N/A		H-152-OS3-PL X 10
G102LS2PO	AS 400S-PL 20	B42 S PLN 240	N/A	N/A	N/A	FS-400-SL-PL-20	N/A		H-152-OS3-PL X 20
G102A1PO	AS 400BTB-PL 10	B42A PLN 120	N/A	N/A	N/A	FS-401-PL-10	N/A		H-152-A-PL X 10
G102A2PO	AS 400BTB-PL 20	B42A PLN 240	N/A	N/A	N/A	FS-401-PL-20	N/A		H-152-A-PL X 20
G102AOS1PO			N/A	N/A	N/A		N/A	N/A	
G102AOS2PO			N/A	N/A	N/A		N/A	N/A	
G102KO1PO	AS 400KO-PL 10	B42 K06 PLN 120	N/A	N/A	N/A	FS-400-KO-PL-10	N/A		H-152-KO-PL X 10
G102KO2PO	AS 400KO-PL 20	B42 K06 PLN 240	N/A	N/A	N/A	FS-400-KO-PL-20	N/A		H-152-KO-PL X 20
<b>Hot-dipped Galvanized</b>									
G1021HDG		B42 HDG 120	N/A	N/A	N/A	FS-400-HG-10	N/A	N/A	
G1022HDG		B42 HDG 240	N/A	N/A	N/A	FS-400-HG-20	N/A	G-1012-20-HDGAF	
G102H1HDG		B42 H17/8 HDG 120	N/A	N/A	N/A	FS-400-H-HG-10	N/A	G-1012-PO-10-HDGAF	
G102H2HDG		B42 H17/8 HDG 240	N/A	N/A	N/A	FS-400-H-HG-20	N/A	G-1012-PO-20-HDGAF	
G102OS1HDG		B42 SH HDG 120	N/A	N/A	N/A	FS-400-SS-HG-10	N/A	G-1012-SH-10-HDGAF	
G102OS2HDG		B42 SH HDG 240	N/A	N/A	N/A	FS-400-SS-HG-20	N/A	G-1012-SH-20-HDGAF	
G102LS1HDG		B42 S HDG 120	N/A	N/A	N/A	FS-400-SL-HG-10	N/A	G-1012-SL-10-HDGAF	
G102LS2HDG		B42 S HDG 240	N/A	N/A	N/A	FS-400-SL-HG-20	N/A	G-1012-SL-20-HDGAF	
G102A1HDG		B42A HDG 120	N/A	N/A	N/A	FS-401-HG-10	N/A	G-1012-A-10-HDGAF	
G102A2HDG		B42A HDG 240	N/A	N/A	N/A	FS-401-HG-20	N/A	G-1012-A-20-HDGAF	
G102AOS1HDG			N/A	N/A	N/A		N/A	N/A	
G102AOS2HDG			N/A	N/A	N/A		N/A	N/A	
G102KO1HDG		B42 K06 HDG 120	N/A	N/A	N/A	FS-400-KO-HG-10	N/A	G-1012-KO-10-HDGAF	
G102KO2HDG		B42 K06 HDG 240	N/A	N/A	N/A	FS-400-KO-HG-20	N/A	G-1012-KO-20-HDGAF	

CROSS REFERENCE

(GREGORY) G-STRUT	(PHD MFG) PHD STRUT	(TYCO / ALLIED) POWER-STRUT	(POWER-UTILITY PRODUCTS) PUPCO	(SASCO) SASCO STRUT	(THOMAS & BETTS) SUPER-STRUT	(TOLCO) TOL-STRUT	(TYCO) UNI-STRUT	(UNITRON) U.S. STRUT	(VERSABAR CORP) VERSABAR	WESANCO WESTRUT
<b>Green</b>										
G1021POP	N/A	PS 400 10 GR	AS-152-GR (10)		N/A	N/A	N/A	UN 200-14 GREEN (10)	VA-10 GR(10)	W-800 GREEN (10)
G1022POP	N/A	PS 400 20 GR	AS-152-GR (20)		N/A	N/A	N/A	UN 200-14 GREEN (20)	VA-10 GR(20)	W-800 GREEN (20)
G102H1POP	N/A	PS 400 H 10 GR	AS-152-RS-GR (10)		N/A	N/A	N/A	UN 202-14 GREEN (10)	VA-10P1.87 GR(10)	W-800-H-GREEN (10)
G102H2POP	N/A	PS 400 H 20 GR	AS-152-RS-GR (20)		N/A	N/A	N/A	UN 202-14 GREEN (20)	VA-10P1.87 GR(20)	W-800-H-GREEN (20)
G102OS1POP	N/A	PS 400 EH 10 GR	AS-152-OS-GR (10)		N/A	N/A	N/A	UN 204-14 GREEN (10)	VA-10PLH GR(10)	W-800-SS-GREEN (10)
G102OS2POP	N/A	PS 400 EH 20 GR	AS-152-OS-GR (20)		N/A	N/A	N/A	UN 204-14 GREEN (20)	VA-10PLH GR(20)	W-800-SS-GREEN (20)
G102LS1POP	N/A	PS 400 S 10 GR	AS-152-SL-GR (10)		N/A	N/A	N/A	UN 205-14 GREEN (10)	VA-10P3S GR(10)	W-800-SL-GREEN (10)
G102LS2POP	N/A	PS 400 S 20 GR	AS-152-SL-GR (20)		N/A	N/A	N/A	UN 205-14 GREEN (20)	VA-10P3S GR(20)	W-800-SL-GREEN (20)
G102A1POP	N/A	PS 400 2T3 10 GR	AS-152A-GR (10)		N/A	N/A	N/A	UN 200-14BB GREEN (10)	VA-10201 GR(10)	W-801 GREEN (10)
G102A2POP	N/A	PS 400 2T3 20 GR	AS-152A-GR (20)		N/A	N/A	N/A	UN 200-14BB GREEN (20)	VA-10201 GR(20)	W-801 GREEN (20)
G102AOS1POP	N/A	N/A	AS-152A-OS-GR (10)		N/A	N/A	N/A	UN 204-14BB GREEN (10)	N/A	W-801-SS GREEN (10)
G102AOS2POP	N/A	N/A	AS-152A-OS-GR (20)		N/A	N/A	N/A	UN 204-14BB GREEN (20)	N/A	W-801-SS GREEN (20)
G102K01POP	N/A	N/A	AS-152-KO-GR (10)		N/A	N/A	N/A	UN 206-14 GREEN (10)	N/A	W-800-KO GREEN(10)
G102K02POP	N/A	N/A	AS-152-KO-GR (20)		N/A	N/A	N/A	UN 206-14 GREEN (20)	N/A	W-800-KO GREEN (20)
<b>Yellow Zinc Dichromate</b>										
G1021YZ	N/A	PS 400 10 ZD	AS-152-GD (10)		N/A	N/A	N/A	N/A	N/A	N/A
G1022YZ	N/A	PS 400 20 ZD	AS-152-GD (20)		N/A	N/A	N/A	N/A	N/A	N/A
G102H1YZ	N/A	PS 400 H 10 ZD	AS-152-RS-GD (10)		N/A	N/A	N/A	N/A	N/A	N/A
G102H2YZ	N/A	PS 400 H 20 ZD	AS-152-RS-GD (20)		N/A	N/A	N/A	N/A	N/A	N/A
G102OS1YZ	N/A	PS 400 EH 10 ZD	AS-152-OS-GD (10)		N/A	N/A	N/A	N/A	N/A	N/A
G102OS2YZ	N/A	PS 400 EH 20 ZD	AS-152-OS-GD (20)		N/A	N/A	N/A	N/A	N/A	N/A
G102LS1YZ	N/A	PS 400 S 10 ZD	AS-152-SL-GD (10)		N/A	N/A	N/A	N/A	N/A	N/A
G102LS2YZ	N/A	PS 400 S 20 ZD	AS-152-SL-GD (20)		N/A	N/A	N/A	N/A	N/A	N/A
G102A1YZ	N/A	PS 400 2T3 10 ZD	AS-152A-GD (10)		N/A	N/A	N/A	N/A	N/A	N/A
G102A2YZ	N/A	PS 400 2T3 20 ZD	AS-152A-GD (20)		N/A	N/A	N/A	N/A	N/A	N/A
G102AOS1YZ	N/A	N/A	AS-152A-OS-GD (10)		N/A	N/A	N/A	N/A	N/A	N/A
G102AOS2YZ	N/A	N/A	AS-152A-OS-GD (20)		N/A	N/A	N/A	N/A	N/A	N/A
G102K01YZ	N/A	N/A	AS-152-KO-GD (10)		N/A	N/A	N/A	N/A	N/A	N/A
G102K02YZ	N/A	N/A	AS-152-KO-GD (20)		N/A	N/A	N/A	N/A	N/A	N/A
<b>Galvannealed (WIZcoat™)</b>										
G1021GN	N/A	N/A	N/A	N/A	N/A	N/A	N/A	N/A	N/A	N/A
G1022GN	N/A	N/A	N/A	N/A	N/A	N/A	N/A	N/A	N/A	N/A
G102H1GN	N/A	N/A	N/A	N/A	N/A	N/A	N/A	N/A	N/A	N/A
G102H2GN	N/A	N/A	N/A	N/A	N/A	N/A	N/A	N/A	N/A	N/A
G102OS1GN	N/A	N/A	N/A	N/A	N/A	N/A	N/A	N/A	N/A	N/A
G102OS2GN	N/A	N/A	N/A	N/A	N/A	N/A	N/A	N/A	N/A	N/A
G102LS1GN	N/A	N/A	N/A	N/A	N/A	N/A	N/A	N/A	N/A	N/A
G102LS2GN	N/A	N/A	N/A	N/A	N/A	N/A	N/A	N/A	N/A	N/A
G102A1GN	N/A	N/A	N/A	N/A	N/A	N/A	N/A	N/A	N/A	N/A
G102A2GN	N/A	N/A	N/A	N/A	N/A	N/A	N/A	N/A	N/A	N/A
G102AOS1GN	N/A	N/A	N/A	N/A	N/A	N/A	N/A	N/A	N/A	N/A
G102AOS2GN	N/A	N/A	N/A	N/A	N/A	N/A	N/A	N/A	N/A	N/A
G102K01GN	N/A	N/A	N/A	N/A	N/A	N/A	N/A	N/A	N/A	N/A
G102K02GN	N/A	N/A	N/A	N/A	N/A	N/A	N/A	N/A	N/A	N/A
<b>Plain, Pickled, and Oiled</b>										
G1021PO	1401 PL (10)	PS 400 10 PL	AS-152-BK (10)	S5P (10)	N/A	N/A	N/A	UN 200-14 PL (10)	VA-10 HRPO(10)	W-800 PLAIN (10)
G1022PO	1402 PL (20)	PS 400 20 PL	AS-152-BK (20)	S5P (20)	N/A	N/A	N/A	UN 200-14 PL (20)	VA-10 HRPO(20)	W-800 PLAIN (20)
G102H1PO	1421 PL (10)	PS 400 H 10 PL	AS-152-RS-BK (10)	S5H112P (10)	N/A	N/A	N/A	UN 202-14 PL (10)	VA-10P1.87 HRPO(10)	W-800-H-PLAIN (10)
G102H2PO	1422 PL (20)	PS 400 H 20 PL	AS-152-RS-BK (20)	S5H112P (20)	N/A	N/A	N/A	UN 202-14 PL (20)	VA-10P1.87 HRPO(20)	W-800-H-PLAIN (20)
G102OS1PO	1411 PL (10)	PS 400 EH 10 PL	AS-152-OS-BK (10)	S5SL2P (10)	N/A	N/A	N/A	UN 204-14 PL (10)	VA-10PLH HRPO(10)	W-800-SS-PLAIN (10)
G102OS2PO	1412 PL (20)	PS 400 EH 20 PL	AS-152-OS-BK (20)	S5SL2P (20)	N/A	N/A	N/A	UN 204-14 PL (20)	VA-10PLH HRPO(20)	W-800-SS-PLAIN (20)
G102LS1PO	1431 PL (10)	PS 400 S 10 PL	AS-152-SL-BK (10)	S5SL4P (10)	N/A	N/A	N/A	UN 205-14 PL (10)	VA-10P3S HRPO(10)	W-800-SL-PLAIN (10)
G102LS2PO	1432 PL (20)	PS 400 S 20 PL	AS-152-SL-BK (20)	S5SL4P (20)	N/A	N/A	N/A	UN 205-14 PL (20)	VA-10P3S HRPO(20)	W-800-SL-PLAIN (20)
G102A1PO	1401A PL (10)	PS 400 2T3 10 PL	AS-152A-BK (10)	S5BB-P (10)	N/A	N/A	N/A	UN 200-14BB PL (10)	VA-10201 HRPO(10)	W-801 PLAIN (10)
G102A2PO	1402A PL (20)	PS 400 2T3 20 PL	AS-152A-BK (20)	S5BB-P (20)	N/A	N/A	N/A	UN 200-14BB PL (20)	VA-10201 HRPO(20)	W-801 PLAIN (20)
G102AOS1PO	1411A PL (10)	N/A	AS-152A-OS-BK (10)		N/A	N/A	N/A	UN 204-14BB PL (10)	N/A	W-801-SS PLAIN (10)
G102AOS2PO	1412A PL (20)	N/A	AS-152A-OS-BK (20)		N/A	N/A	N/A	UN 204-14BB PL (20)	N/A	W-801-SS PLAIN (20)
G102K01PO	1441 PL (10)	N/A	AS-152-KO-BK (10)	S5K06P (10)	N/A	N/A	N/A	UN 206-14 PL (10)	N/A	W-800-KO PLAIN (10)
G102K02PO	1442 PL (20)	N/A	AS-152-KO-BK (20)	S5K06P (20)	N/A	N/A	N/A	UN 206-14 PL (20)	N/A	W-800-KO PLAIN (20)
<b>Hot-dipped Galvanized</b>										
G1021HDG	1401HD (10)	PS 400 10 HG	AS-152-HD (10)	S5HG (10)	N/A	N/A	N/A	UN 200-14 HDGAF (10)	N/A	W-800 HDGAF (10)
G1022HDG	1402 HD (20)	PS 400 20 HG	AS-152-HD (20)	S5HG (20)	N/A	N/A	N/A	UN 200-14 HDGAF (20)	N/A	W-800 HDGAF (20)
G102H1HDG	1421 HD (10)	PS 400 H 10 HG	AS-152-RS-HD (10)	S5H112HG (10)	N/A	N/A	N/A	UN 202-14 HDGAF (10)	N/A	W-800-H-HDGAF (10)
G102H2HDG	1422 HD (20)	PS 400 H 20 HG	AS-152-RS-HD (20)	S5H112HG (20)	N/A	N/A	N/A	UN 202-14 HDGAF (20)	N/A	W-800-H-HDGAF (20)
G102OS1HDG	1411 HD (10)	PS 400 EH 10 HG	AS-152-OS-HD (10)	S5SL2HG (10)	N/A	N/A	N/A	UN 204-14 HDGAF (10)	N/A	W-800-SS-HDGAF (10)
G102OS2HDG	1412 HD (20)	PS 400 EH 20 HG	AS-152-OS-HD (20)	S5SL2HG (20)	N/A	N/A	N/A	UN 204-14 HDGAF (20)	N/A	W-800-SS-HDGAF (20)
G102LS1HDG	1431 HD (10)	PS 400 S 10 HG	AS-152-SL-HD (10)	S5SL4HG (10)	N/A	N/A	N/A	UN 205-14 HDGAF (10)	N/A	W-800-SL-HDGAF (10)
G102LS2HDG	1432 HD (20)	PS 400 S 20 HG	AS-152-SL-HD (20)	S5SL4HG (20)	N/A	N/A	N/A	UN 205-14 HDGAF (20)	N/A	W-800-SL-HDGAF (20)
G102A1HDG	1401A HD (10)	PS 400 2T3 10 HG	AS-152A-HD (10)	S5BB-HG (10)	N/A	N/A	N/A	UN 200-14BB HDGAF (10)	N/A	W-801 HDGAF (10)
G102A2HDG	1402A HD (20)	PS 400 2T3 20 HG	AS-152A-HD (20)	S5BB-HG (20)	N/A	N/A	N/A	UN 200-14BB HDGAF (20)	N/A	W-801 HDGAF (20)
G102AOS1HDG	1411A HD (10)	N/A	AS-152A-OS-HD (10)		N/A	N/A	N/A	UN 204-14BB HDGAF (10)	N/A	W-801-SS HDGAF (10)
G102AOS2HDG	1412A HD (20)	N/A	AS-152A-OS-HD (20)		N/A	N/A	N/A	UN 204-14BB HDGAF (20)	N/A	W-801-SS HDGAF (20)
G102K01HDG	1441 HD (10)	N/A	AS-152-KO-HD (10)	S5K06HG (10)	N/A	N/A	N/A	UN 206-14 HDGAF (10)	N/A	W-800-KO HDGAF (10)
G102K02HDG	1442 HD (20)	N/A	AS-152-KO-HD (20)	S5K06HG (20)	N/A	N/A	N/A	UN 206-14 HDGAF (20)	N/A	W-800-KO HDGAF (20)

CROSS REFERENCE

(GREGORY) G-STRUT	(ANVIL INTERNATIONAL) ANVIL STRUT	(COOPER) B-LINE	(CULLY) MINERALLAC	(ELITE) ELITE COMPONENTS	(ERICO) ERI-STRUT	(FLEX STRUT) FLEX STRUT	(FLORIDA STRUT) FLORIDA STRUT	(GS METALS) GLOBE STRUT	(HAYDON) H-STRUT
<b>Stainless Steel (Grade 304) (N/A)</b>									
G1021SS (N/A)		B42 SS4 120	N/A	N/A	N/A	FS-400-ST4-10	N/A	N/A	H-152-SS X 10
G1022SS (N/A)		B42 SS4 240	N/A	N/A	N/A	FS-400-ST4-20	N/A	N/A	H-152-SS X 20
G102H1SS (N/A)		B42 H17/8 SS4 120	N/A	N/A	N/A	FS-400-H-ST4-10	N/A	N/A	H-152-RS-SS X 10
G102H2SS (N/A)		B42 H17/8 SS4 240	N/A	N/A	N/A	FS-400-H-ST4-20	N/A	N/A	H-152-RS-SS X 20
G1020S1SS (N/A)		B42 SH SS4 120	N/A	N/A	N/A	FS-400-SS-ST4-10	N/A	N/A	H-152-OS-SS X 10
G1020S2SS (N/A)		B42 SH SS4 240	N/A	N/A	N/A	FS-400-SS-ST4-20	N/A	N/A	H-152-OS-SS X 20
G102LS1SS (N/A)		B42 S SS4 120	N/A	N/A	N/A	FS-400-SL-ST4-10	N/A	N/A	H-152-OS3-SS X 10
G102LS2SS (N/A)		B42 S SS4 240	N/A	N/A	N/A	FS-400-SL-ST4-20	N/A	N/A	H-152-OS3-SS X 20
G102A1SS (N/A)		B42A SS4 120	N/A	N/A	N/A	FS-401-ST4-10	N/A	N/A	H-152-A-SS X 10
G102A2SS (N/A)		B42A SS4 240	N/A	N/A	N/A	FS-401-ST4-20	N/A	N/A	H-152-A-SS X 20
G102AOS1SS (N/A)			N/A	N/A	N/A		N/A	N/A	
G102AOS2SS (N/A)			N/A	N/A	N/A		N/A	N/A	
G102KO1SS (N/A)		B42 K06 SS4 120	N/A	N/A	N/A	FS-400-KO-ST4-10	N/A	N/A	H-152-KO-SS X 10
G102KO2SS (N/A)		B42 K06 SS4 240	N/A	N/A	N/A	FS-400-KO-ST4-20	N/A	N/A	H-152-KO-SS X 20
<b>Stainless Steel (Grade 316) (N/A)</b>									
G1021SS6 (N/A)		N/A	N/A	N/A	N/A	N/A	N/A	N/A	H-152-SS(316) X 10
G1022SS6 (N/A)		N/A	N/A	N/A	N/A	N/A	N/A	N/A	H-152-SS(316) X 20
G102H1SS6 (N/A)		N/A	N/A	N/A	N/A	N/A	N/A	N/A	H-152-RS-SS(316) X 10
G102H2SS6 (N/A)		N/A	N/A	N/A	N/A	N/A	N/A	N/A	H-152-RS-SS(316) X 20
G1020S1SS6 (N/A)		N/A	N/A	N/A	N/A	N/A	N/A	N/A	H-152-OS-SS(316) X 10
G1020S2SS6 (N/A)		N/A	N/A	N/A	N/A	N/A	N/A	N/A	H-152-OS-SS(316) X 20
G102LS1SS6 (N/A)		N/A	N/A	N/A	N/A	N/A	N/A	N/A	H-152-OS3-SS(316) X 10
G102LS2SS6 (N/A)		N/A	N/A	N/A	N/A	N/A	N/A	N/A	H-152-OS3-SS(316) X 20
G102A1SS6 (N/A)		N/A	N/A	N/A	N/A	N/A	N/A	N/A	H-152-A-SS(316) X 10
G102A2SS6 (N/A)		N/A	N/A	N/A	N/A	N/A	N/A	N/A	H-152-A-SS(316) X 20
G102AOS1SS6 (N/A)		N/A	N/A	N/A	N/A	N/A	N/A	N/A	
G102AOS2SS6 (N/A)		N/A	N/A	N/A	N/A	N/A	N/A	N/A	
G102KO1SS6 (N/A)		N/A	N/A	N/A	N/A	N/A	N/A	N/A	H-152-KO-SS(316) X 10
G102KO2SS6 (N/A)		N/A	N/A	N/A	N/A	N/A	N/A	N/A	H-152-KO-SS(316) X 20
<b>Aluminum Extruded (N/A)</b>									
G1021AL (N/A)		N/A	N/A	N/A	N/A	FS-400-AL-10	N/A	G-1012-AL (10)	
G1022AL (N/A)		N/A	N/A	N/A	N/A	FS-400-AL-20	N/A	G-1012-AL (20)	
G102H1AL (N/A)		N/A	N/A	N/A	N/A	FS-400-H-AL-10	N/A	N/A	
G102H2AL (N/A)		N/A	N/A	N/A	N/A	FS-400-H-AL-20	N/A	N/A	
G1020S1AL (N/A)		N/A	N/A	N/A	N/A	FS-400-SS-AL-10	N/A	N/A	
G1020S2AL (N/A)		N/A	N/A	N/A	N/A	FS-400-SS-AL-20	N/A	N/A	
G102LS1AL (N/A)		N/A	N/A	N/A	N/A	FS-400-SL-AL-10	N/A	N/A	
G102LS2AL (N/A)		N/A	N/A	N/A	N/A	FS-400-SL-AL-20	N/A	N/A	
G102A1AL (N/A)		N/A	N/A	N/A	N/A	FS-401-AL-10	N/A	N/A	
G102A2AL (N/A)		N/A	N/A	N/A	N/A	FS-401-AL-20	N/A	N/A	
G102AOS1AL (N/A)		N/A	N/A	N/A	N/A		N/A	N/A	
G102AOS2AL (N/A)		N/A	N/A	N/A	N/A		N/A	N/A	
G102KO1AL (N/A)		N/A	N/A	N/A	N/A	FS-400-KO-AL-10	N/A	N/A	
G102KO2AL (N/A)		N/A	N/A	N/A	N/A	FS-400-KO-AL-20	N/A	N/A	
<b>PVC Coated (Galvanized or Black)</b>									
G1021PVC		N/A	N/A	N/A	N/A	N/A	N/A	N/A	
G1022PVC		N/A	N/A	N/A	N/A	N/A	N/A	N/A	
G102H1PVC		N/A	N/A	N/A	N/A	N/A	N/A	N/A	
G102H2PVC		N/A	N/A	N/A	N/A	N/A	N/A	N/A	
G1020S1PVC		N/A	N/A	N/A	N/A	N/A	N/A	N/A	
G1020S2PVC		N/A	N/A	N/A	N/A	N/A	N/A	N/A	
G102LS1PVC		N/A	N/A	N/A	N/A	N/A	N/A	N/A	
G102LS2PVC		N/A	N/A	N/A	N/A	N/A	N/A	N/A	
G102A1PVC		N/A	N/A	N/A	N/A	N/A	N/A	N/A	
G102A2PVC		N/A	N/A	N/A	N/A	N/A	N/A	N/A	
G102AOS1PVC		N/A	N/A	N/A	N/A	N/A	N/A	N/A	
G102AOS2PVC		N/A	N/A	N/A	N/A	N/A	N/A	N/A	
G102KO1PVC		N/A	N/A	N/A	N/A	N/A	N/A	N/A	
G102KO2PVC		N/A	N/A	N/A	N/A	N/A	N/A	N/A	
<b>Pre-Galvanized - G-782 - 7/8" x 1-5/8"</b>									
G7821		N/A	N/A	N/A	N/A	FS-450-PG-10	N/A	N/A	H-172-PG X 10
G7822		N/A	N/A	N/A	N/A	FS-450-PG-20	N/A	N/A	H-172-PG X 20
G782H1		N/A	N/A	N/A	N/A	FS-450-H-PG-10	N/A	N/A	H-172-RS-PG X 10
G782H2		N/A	N/A	N/A	N/A	FS-450-H-PG-20	N/A	N/A	H-172-RS-PG X 20
G7820S1		N/A	N/A	N/A	N/A	FS-450-SS-PG-10	N/A	N/A	H-172-OS-PG X 10
G7820S2		N/A	N/A	N/A	N/A	FS-450-SS-PG-20	N/A	N/A	H-172-OS-PG X 20
G782LS1		N/A	N/A	N/A	N/A	FS-450-SL-PG-10	N/A	N/A	H-172-OS3-PG X 10
G782LS2		N/A	N/A	N/A	N/A	FS-450-SL-PG-20	N/A	N/A	H-172-OS3-PG X 20
G782A1		N/A	N/A	N/A	N/A	FS-451-PG-10	N/A	N/A	H-172-A-PG X 10
G782A2		N/A	N/A	N/A	N/A	FS-451-PG-20	N/A	N/A	H-172-A-PG X 20
G782AOS1		N/A	N/A	N/A	N/A		N/A	N/A	
G782AOS2		N/A	N/A	N/A	N/A		N/A	N/A	
G782KO1		N/A	N/A	N/A	N/A	FS-450-KO-PG-10	N/A	N/A	H-172-KO-PG X 10
G782KO2		N/A	N/A	N/A	N/A	FS-450-KO-PG-20	N/A	N/A	H-172-KO-PG X 20

CROSS REFERENCE

(GREGORY) G-STRUT	(PHD MFG) PHD STRUT	(TYCO / ALLIED) POWER-STRUT	(POWER-UTILITY PRODUCTS) PUPCO	(SASCO) SASCO STRUT	(THOMAS & BETTS) SUPER-STRUT	(TOLCO) TOL-STRUT	(TYCO) UNI-STRUT	(UNITRON) U.S. STRUT	(VERSABAR CORP) VERSABAR	WESANCO WESTRUT
<b>Stainless Steel (Grade 304) (N/A)</b>										
G1021SS (N/A)	1401 SS304 (10)	PS 400 10 SS	AS-152-SS4 (10)		N/A	N/A	N/A	N/A	N/A	N/A
G1022SS (N/A)	1402 SS304 (20)	PS 400 20 SS	AS-152-SS4 (20)		N/A	N/A	N/A	N/A	N/A	N/A
G102H1SS (N/A)	1421 SS304 (10)	PS 400 H 10 SS	AS-152-RS-SS4 (10)		N/A	N/A	N/A	N/A	N/A	N/A
G102H2SS (N/A)	1422 SS304 (20)	PS 400 H 20 SS	AS-152-RS-SS4 (20)		N/A	N/A	N/A	N/A	N/A	N/A
G102OS1SS (N/A)	1411 SS304 (10)	PS 400 EH 10 SS	AS-152-OS-SS4 (10)		N/A	N/A	N/A	N/A	N/A	N/A
G102OS2SS (N/A)	1412 SS304 (20)	PS 400 EH 20 SS	AS-152-OS-SS4 (20)		N/A	N/A	N/A	N/A	N/A	N/A
G102LS1SS (N/A)	1431 SS304 (10)	PS 400 S 10 SS	AS-152-SL-SS4 (10)		N/A	N/A	N/A	N/A	N/A	N/A
G102LS2SS (N/A)	1432 SS304 (20)	PS 400 S 20 SS	AS-152-SL-SS4 (20)		N/A	N/A	N/A	N/A	N/A	N/A
G102A1SS (N/A)	1401A SS304 (10)	PS 400 2T3 10 SS	AS-152A-SS4 (10)		N/A	N/A	N/A	N/A	N/A	N/A
G102A2SS (N/A)	1402A SS304 (20)	PS 400 2T3 20 SS	AS-152A-SS4 (20)		N/A	N/A	N/A	N/A	N/A	N/A
G102AOS1SS (N/A)	1411A SS304 (10)	N/A	AS-152A-OS-SS4 (10)		N/A	N/A	N/A	N/A	N/A	N/A
G102K01SS (N/A)	1441 SS304 (10)	N/A	AS-152-KO-SS4 (10)		N/A	N/A	N/A	N/A	N/A	N/A
G102K02SS (N/A)	1442 SS304 (20)	N/A	AS-152-KO-SS4 (20)		N/A	N/A	N/A	N/A	N/A	N/A
<b>Stainless Steel (Grade 316) (N/A)</b>										
G1021SS6 (N/A)	1401 SS316 (10)	PS 400 10 SS (316)	AS-152-SS6 (10)		N/A	N/A	N/A		N/A	N/A
G1022SS6 (N/A)	1402 SS316 (20)	PS 400 20 SS (316)	AS-152-SS6 (20)		N/A	N/A	N/A	UN 200-14 SS316 (20)	N/A	N/A
G102H1SS6 (N/A)	1421 SS316 (10)	PS 400 H 10 SS (316)	AS-152-RS-SS6 (10)		N/A	N/A	N/A	UN 202-14 SS316 (10)	N/A	N/A
G102H2SS6 (N/A)	1422 SS316 (20)	PS 400 H 20 SS (316)	AS-152-RS-SS6 (20)		N/A	N/A	N/A	UN 202-14 SS316 (20)	N/A	N/A
G102OS1SS6 (N/A)	1411 SS316 (10)	PS 400 EH 10 SS (316)	AS-152-OS-SS6 (10)		N/A	N/A	N/A	UN 204-14 SS316 (10)	N/A	N/A
G102OS2SS6 (N/A)	1412 SS316 (20)	PS 400 EH 20 SS (316)	AS-152-OS-SS6 (20)		N/A	N/A	N/A	UN 204-14 SS316 (20)	N/A	N/A
G102AOS1SS6 (N/A)	1431 SS316 (10)	PS 400 S 10 SS (316)	AS-152-SL-SS6 (10)		N/A	N/A	N/A	UN 205-14 SS316 (10)	N/A	N/A
G102LS2SS6 (N/A)	1432 SS316 (20)	PS 400 S 20 SS (316)	AS-152-SL-SS6 (20)		N/A	N/A	N/A	UN 205-14 SS316 (20)	N/A	N/A
G102A1SS6 (N/A)	1401A SS316 (10)	PS 400 2T3 10 SS(316)	AS-152A-SS6 (10)		N/A	N/A	N/A	UN 200-14BB SS316 (10)	N/A	N/A
G102A2SS6 (N/A)	1402A SS316 (20)	PS 400 2T3 20 SS(316)	AS-152A-SS6 (20)		N/A	N/A	N/A	UN 200-14BB SS316 (20)	N/A	N/A
G102AOS1SS6 (N/A)	1411A SS316 (10)	N/A	AS-152A-OS-SS6 (10)		N/A	N/A	N/A	UN 204-14BB SS316 (10)	N/A	N/A
G102AOS2SS6 (N/A)	1412A SS316 (20)	N/A	AS-152A-OS-SS6 (20)		N/A	N/A	N/A	UN 204-14BB SS316 (20)	N/A	N/A
G102K01SS6 (N/A)	1441 SS316 (10)	N/A	AS-152-KO-SS6 (10)		N/A	N/A	N/A	UN 206-14 SS316 (10)	N/A	N/A
G102K02SS6 (N/A)	1442 SS316 (20)	N/A	AS-152-KO-SS6 (20)		N/A	N/A	N/A	UN 206-14 SS316 (20)	N/A	N/A
<b>Aluminum Extruded (N/A)</b>										
G1021AL (N/A)	1401 AL (10)	PS 400 10 AL	AS-152-AL (10)	S5AL (10)	N/A	N/A	N/A	N/A	N/A	N/A
G1022AL (N/A)	1402 AL (20)	PS 400 20 AL	AS-152-AL (20)	S5AL (20)	N/A	N/A	N/A	N/A	N/A	N/A
G102H1AL (N/A)	1421 AL (10)	PS 400 H 10 AL	AS-152-RS-AL (10)	S5H12AL (10)	N/A	N/A	N/A	N/A	N/A	N/A
G102H2AL (N/A)	1422 AL (20)	PS 400 H 20 AL	AS-152-RS-AL (20)	S5H12AL (20)	N/A	N/A	N/A	N/A	N/A	N/A
G102OS1AL (N/A)	1411 AL (10)	PS 400 EH 10 AL	AS-152-OS-AL (10)	S5SL2AL (10)	N/A	N/A	N/A	N/A	N/A	N/A
G102OS2AL (N/A)	1412 AL (20)	PS 400 EH 20 AL	AS-152-OS-AL (20)	S5SL2AL (20)	N/A	N/A	N/A	N/A	N/A	N/A
G102LS1AL (N/A)	1431 AL (10)	PS 400 S 10 AL	AS-152-SL-AL (10)	S5SL4AL (10)	N/A	N/A	N/A	N/A	N/A	N/A
G102LS2AL (N/A)	1432 AL (20)	PS 400 S 20 AL	AS-152-SL-AL (20)	S5SL4AL (20)	N/A	N/A	N/A	N/A	N/A	N/A
G102A1AL (N/A)	1401A AL (10)	PS 400 2T3 10 AL	AS-152A-AL (10)	S5BB-AL (10)	N/A	N/A	N/A	N/A	N/A	N/A
G102A2AL (N/A)	1402A AL (20)	PS 400 2T3 20 AL	AS-152A-AL (20)	S5BB-AL (20)	N/A	N/A	N/A	N/A	N/A	N/A
G102AOS1AL (N/A)	1411A AL (10)	N/A	AS-152A-OS-AL (10)		N/A	N/A	N/A	N/A	N/A	N/A
G102AOS2AL (N/A)	1412A AL (20)	N/A	AS-152A-OS-AL (20)		N/A	N/A	N/A	N/A	N/A	N/A
G102K01AL (N/A)	1441 AL (10)	N/A	AS-152-KO-AL (10)	S5K06AL (10)	N/A	N/A	N/A	N/A	N/A	N/A
G102K02AL (N/A)	1442 AL (20)	N/A	AS-152-KO-AL (20)	S5K06AL (20)	N/A	N/A	N/A	N/A	N/A	N/A
<b>PVC Coated (Galvanized or Black)</b>										
G1021PVC	N/A	N/A	AS-152-PVC (10)		N/A	N/A	N/A	UN 200-14 PVC (10)	N/A	
G1022PVC	N/A	N/A	AS-152-PVC (20)		N/A	N/A	N/A	UN 200-14 PVC (20)	N/A	
G102H1PVC	N/A	N/A	AS-152-RS-PVC (10)		N/A	N/A	N/A	UN 202-14 PVC (10)	N/A	
G102H2PVC	N/A	N/A	AS-152-RS-PVC (20)		N/A	N/A	N/A	UN 202-14 PVC (20)	N/A	
G102OS1PVC	N/A	N/A	AS-152-OS-PVC (10)		N/A	N/A	N/A	UN 204-14 PVC (10)	N/A	
G102OS2PVC	N/A	N/A	AS-152-OS-PVC (20)		N/A	N/A	N/A	UN 204-14 PVC (20)	N/A	
G102LS1PVC	N/A	N/A	AS-152-SL-PVC (10)		N/A	N/A	N/A	UN 205-14 PVC (10)	N/A	
G102LS2PVC	N/A	N/A	AS-152-SL-PVC (20)		N/A	N/A	N/A	UN 205-14 PVC (20)	N/A	
G102A1PVC	N/A	N/A	AS-152A-PVC (10)		N/A	N/A	N/A	UN 200-14BB PVC (10)	N/A	
G102A2PVC	N/A	N/A	AS-152A-PVC (20)		N/A	N/A	N/A	UN 200-14BB PVC (20)	N/A	
G102AOS1PVC	N/A	N/A	AS-152A-OS-PVC (10)		N/A	N/A	N/A	UN 204-14BB PVC (10)	N/A	
G102AOS2PVC	N/A	N/A	AS-152A-OS-PVC (20)		N/A	N/A	N/A	UN 204-14BB PVC (20)	N/A	
G102K01PVC	N/A	N/A	AS-152-KO-PVC (10)		N/A	N/A	N/A	UN 206-14 PVC (10)	N/A	
G102K02PVC	N/A	N/A	AS-152-KO-PVC (20)		N/A	N/A	N/A	UN 206-14 PVC (20)	N/A	
<b>Pre-Galvanized - G-782 - 7/8" x 1-5/8"</b>										
G7821	N/A	N/A	AS-172-PG (10)	N/A	N/A	N/A	P3300 10PG	N/A	N/A	W-900 PRE-GALV (10)
G7822	N/A	N/A	AS-172-PG (20)	N/A	N/A	N/A	P3300 20PG	N/A	N/A	W-900 PRE-GALV (20)
G782H1	N/A	N/A	AS-172-RS-PG (10)	N/A	N/A	N/A	P3300 HS 10PG	N/A	N/A	W-900-H PRE-GALV (10)
G782H2	N/A	N/A	AS-172-RS-PG (20)	N/A	N/A	N/A	P3300 HS 20PG	N/A	N/A	W-900-H PRE-GALV (20)
G782OS1	N/A	N/A	AS-172-OS-PG (10)	N/A	N/A	N/A	P3300 T 10PG	N/A	N/A	W-900-SS PRE-GALV (10)
G782OS2	N/A	N/A	AS-172-OS-PG (20)	N/A	N/A	N/A	P3300 T 20PG	N/A	N/A	W-900-SS PRE-GALV (20)
G782LS1	N/A	N/A	AS-172-SL-PG (10)	N/A	N/A	N/A	P3300 SL 10PG	N/A	N/A	W-900-SL PRE-GALV (10)
G782LS2	N/A	N/A	AS-172-SL-PG (20)	N/A	N/A	N/A	P3300 SL 20PG	N/A	N/A	W-900-SL PRE-GALV (20)
G782A1	N/A	N/A	AS-172A-PG (10)	N/A	N/A	N/A	P3301 10PG	N/A	N/A	W-901 PRE-GALV (10)
G782A2	N/A	N/A	AS-172A-PG (20)	N/A	N/A	N/A	P3301 20PG	N/A	N/A	W-901 PRE-GALV (20)
G782AOS1	N/A	N/A	AS-172A-OS-PG (10)	N/A	N/A	N/A	N/A	N/A	N/A	W-901-SS PRE-GALV (10)
G782AOS2	N/A	N/A	AS-172A-OS-PG (20)	N/A	N/A	N/A	N/A	N/A	N/A	W-901-SS PRE-GALV (20)
G782K01	N/A	N/A	AS-172-KO-PG (10)	N/A	N/A	N/A	N/A	N/A	N/A	W-900-KO PRE-GALV (10)
G782K02	N/A	N/A	AS-172-KO-PG (20)	N/A	N/A	N/A	N/A	N/A	N/A	W-900-KO PRE-GALV (20)

CROSS  
REFERENCE

(GREGORY) G-STRUT	(ANVIL INTERNATIONAL) ANVIL STRUT	(COOPER) B-LINE	(CULLY) MINERALLAC	(ELITE) ELIITE COMPONENTS	(ERICO) ERI-STRUT	(FLEX STRUT) FLEX STRUT	(FLORIDA STRUT) FLORIDA STRUT	(GS METALS) GLOBE STRUT	(HAYDON) H-STRUT
<b>Green</b>									
G7821POP	N/A	N/A	N/A	N/A	N/A	FS-450-GR-10	N/A	N/A	H-172-GRN X 10
G7822POP	N/A	N/A	N/A	N/A	N/A	FS-450-GR-20	N/A	N/A	H-172-GRN X 20
G782H1POP	N/A	N/A	N/A	N/A	N/A	FS-450-H-GR-10	N/A	N/A	H-172-RS-GRN X 10
G782H2POP	N/A	N/A	N/A	N/A	N/A	FS-450-H-GR-20	N/A	N/A	H-172-RS-GRN X 20
G782OS1POP	N/A	N/A	N/A	N/A	N/A	FS-450-SS-GR-10	N/A	N/A	H-172-OS-GRN X 10
G782OS2POP	N/A	N/A	N/A	N/A	N/A	FS-450-SS-GR-20	N/A	N/A	H-172-OS-GRN X 20
G782LS1POP	N/A	N/A	N/A	N/A	N/A	FS-450-SL-GR-10	N/A	N/A	H-172-OS3-GRN X 10
G782LS2POP	N/A	N/A	N/A	N/A	N/A	FS-450-SL-GR-20	N/A	N/A	H-172-OS3-GRN X 20
G782A1POP	N/A	N/A	N/A	N/A	N/A	FS-451-GR-10	N/A	N/A	H-172-A-GRN X 10
G782A2POP	N/A	N/A	N/A	N/A	N/A	FS-451-GR-20	N/A	N/A	H-172-A-GRN X 20
G782AOS1POP	N/A	N/A	N/A	N/A	N/A	N/A	N/A	N/A	N/A
G782AOS2POP	N/A	N/A	N/A	N/A	N/A	N/A	N/A	N/A	N/A
G782KO1POP	N/A	N/A	N/A	N/A	N/A	FS-450-KO-GR-10	N/A	N/A	H-172-KO-GRN X 10
G782KO2POP	N/A	N/A	N/A	N/A	N/A	FS-450-KO-GR-20	N/A	N/A	H-172-KO-GRN X 20
<b>Yellow Zinc Dichromate</b>									
G7821YZ	N/A	N/A	N/A	N/A	N/A	N/A	N/A	N/A	N/A
G7822YZ	N/A	N/A	N/A	N/A	N/A	N/A	N/A	N/A	N/A
G782H1YZ	N/A	N/A	N/A	N/A	N/A	N/A	N/A	N/A	N/A
G782H2YZ	N/A	N/A	N/A	N/A	N/A	N/A	N/A	N/A	N/A
G782OS1YZ	N/A	N/A	N/A	N/A	N/A	N/A	N/A	N/A	N/A
G782OS2YZ	N/A	N/A	N/A	N/A	N/A	N/A	N/A	N/A	N/A
G782LS1YZ	N/A	N/A	N/A	N/A	N/A	N/A	N/A	N/A	N/A
G782LS2YZ	N/A	N/A	N/A	N/A	N/A	N/A	N/A	N/A	N/A
G782A1YZ	N/A	N/A	N/A	N/A	N/A	N/A	N/A	N/A	N/A
G782A2YZ	N/A	N/A	N/A	N/A	N/A	N/A	N/A	N/A	N/A
G782AOS1YZ	N/A	N/A	N/A	N/A	N/A	N/A	N/A	N/A	N/A
G782AOS2YZ	N/A	N/A	N/A	N/A	N/A	N/A	N/A	N/A	N/A
G782KO1YZ	N/A	N/A	N/A	N/A	N/A	N/A	N/A	N/A	N/A
G782KO2YZ	N/A	N/A	N/A	N/A	N/A	N/A	N/A	N/A	N/A
<b>Plain, Pickled, and Oiled</b>									
G7821PO	N/A	N/A	N/A	N/A	N/A	FS-450-PL-10	N/A	N/A	H-172-PL X 10
G7822PO	N/A	N/A	N/A	N/A	N/A	FS-450-PL-20	N/A	N/A	H-172-PL X 20
G782H1PO	N/A	N/A	N/A	N/A	N/A	FS-450-H-PL-10	N/A	N/A	H-172-RS-PL X 10
G782H2PO	N/A	N/A	N/A	N/A	N/A	FS-450-H-PL-20	N/A	N/A	H-172-RS-PL X 20
G782OS1PO	N/A	N/A	N/A	N/A	N/A	FS-450-SS-PL-10	N/A	N/A	H-172-OS-PL X 10
G782OS2PO	N/A	N/A	N/A	N/A	N/A	FS-450-SS-PL-20	N/A	N/A	H-172-OS-PL X 20
G782LS1PO	N/A	N/A	N/A	N/A	N/A	FS-450-SL-PL-10	N/A	N/A	H-172-OS3-PL X 10
G782LS2PO	N/A	N/A	N/A	N/A	N/A	FS-450-SL-PL-20	N/A	N/A	H-172-OS3-PL X 20
G782A1PO	N/A	N/A	N/A	N/A	N/A	FS-451-PL-10	N/A	N/A	H-172-A-PL X 10
G782A2PO	N/A	N/A	N/A	N/A	N/A	FS-451-PL-20	N/A	N/A	H-172-A-PL X 20
G782AOS1PO	N/A	N/A	N/A	N/A	N/A	N/A	N/A	N/A	N/A
G782AOS2PO	N/A	N/A	N/A	N/A	N/A	N/A	N/A	N/A	N/A
G782KO1PO	N/A	N/A	N/A	N/A	N/A	FS-450-KO-PL-10	N/A	N/A	H-172-KO-PL X 10
G782KO2PO	N/A	N/A	N/A	N/A	N/A	FS-450-KO-PL-20	N/A	N/A	H-172-KO-PL X 20
<b>Hot-dipped Galvanized</b>									
G7821HDG	N/A	N/A	N/A	N/A	N/A	FS-450-HG-10	N/A	N/A	N/A
G7822HDG	N/A	N/A	N/A	N/A	N/A	FS-450-HG-20	N/A	N/A	N/A
G782H1HDG	N/A	N/A	N/A	N/A	N/A	FS-450-H-HG-10	N/A	N/A	N/A
G782H2HDG	N/A	N/A	N/A	N/A	N/A	FS-450-H-HG-20	N/A	N/A	N/A
G782OS1HDG	N/A	N/A	N/A	N/A	N/A	FS-450-SS-HG-10	N/A	N/A	N/A
G782OS2HDG	N/A	N/A	N/A	N/A	N/A	FS-450-SS-HG-20	N/A	N/A	N/A
G782LS1HDG	N/A	N/A	N/A	N/A	N/A	FS-450-SL-HG-10	N/A	N/A	N/A
G782LS2HDG	N/A	N/A	N/A	N/A	N/A	FS-450-SL-HG-20	N/A	N/A	N/A
G782A1HDG	N/A	N/A	N/A	N/A	N/A	FS-451-HG-10	N/A	N/A	N/A
G782A2HDG	N/A	N/A	N/A	N/A	N/A	FS-451-HG-20	N/A	N/A	N/A
G782AOS1HDG	N/A	N/A	N/A	N/A	N/A	N/A	N/A	N/A	N/A
G782AOS2HDG	N/A	N/A	N/A	N/A	N/A	N/A	N/A	N/A	N/A
G782KO1HDG	N/A	N/A	N/A	N/A	N/A	FS-450-KO-HG-10	N/A	N/A	N/A
G782KO2HDG	N/A	N/A	N/A	N/A	N/A	FS-450-KO-HG-20	N/A	N/A	N/A
<b>Aluminum Extruded (N/A)</b>									
G7821AL (N/A)	N/A	N/A	N/A	N/A	N/A	N/A	N/A	N/A	H-172-AL X 10
G7822AL (N/A)	N/A	N/A	N/A	N/A	N/A	N/A	N/A	N/A	H-172-AL X 20
G782H1AL (N/A)	N/A	N/A	N/A	N/A	N/A	N/A	N/A	N/A	H-172-RS-AL X 10
G782H2AL (N/A)	N/A	N/A	N/A	N/A	N/A	N/A	N/A	N/A	H-172-RS-AL X 20
G782OS1AL (N/A)	N/A	N/A	N/A	N/A	N/A	N/A	N/A	N/A	H-172-OS-AL X 10
G782OS2AL (N/A)	N/A	N/A	N/A	N/A	N/A	N/A	N/A	N/A	H-172-OS-AL X 20
G782LS1AL (N/A)	N/A	N/A	N/A	N/A	N/A	N/A	N/A	N/A	H-172-OS3-AL X 10
G782LS2AL (N/A)	N/A	N/A	N/A	N/A	N/A	N/A	N/A	N/A	H-172-OS3-AL X 20
G782A1AL (N/A)	N/A	N/A	N/A	N/A	N/A	N/A	N/A	N/A	H-172-A-AL X 10
G782A2AL (N/A)	N/A	N/A	N/A	N/A	N/A	N/A	N/A	N/A	H-172-A-AL X 20
G782AOS1AL (N/A)	N/A	N/A	N/A	N/A	N/A	N/A	N/A	N/A	N/A
G782AOS2AL (N/A)	N/A	N/A	N/A	N/A	N/A	N/A	N/A	N/A	N/A
G782KO1AL (N/A)	N/A	N/A	N/A	N/A	N/A	N/A	N/A	N/A	H-172-KO-AL X 10
G782KO2AL (N/A)	N/A	N/A	N/A	N/A	N/A	N/A	N/A	N/A	H-172-KO-AL X 20

CROSS REFERENCE

(GREGORY) G-STRUT	(PHD MFG) PHD STRUT	(TYCO / ALLIED) POWER-STRUT	(POWER-UTILITY PRODUCTS) PUPCO	(SASCO) SASCO STRUT	(THOMAS & BETTS) SUPER-STRUT	(TOLCO) TOL-STRUT	(TYCO) UNI-STRUT	(UNITRON) U.S. STRUT	(VERSABAR CORP) VERSABAR	WESANCO WESTRUT
<b>Green</b>										
G7821POP	N/A	N/A	AS-172-GR (10)	N/A	N/A	N/A	P3300 10GR	N/A	N/A	W-900 GREEN (10)
G7822POP	N/A	N/A	AS-172-GR (20)	N/A	N/A	N/A	P3300 20GR	N/A	N/A	W-900 GREEN (20)
G782H1POP	N/A	N/A	AS-172-RS-GR (10)	N/A	N/A	N/A	P3300 HS 10GR	N/A	N/A	W-900-H GREEN (10)
G782H2POP	N/A	N/A	AS-172-RS-GR (20)	N/A	N/A	N/A	P3300 HS 20GR	N/A	N/A	W-900-H GREEN (20)
G782OS1POP	N/A	N/A	AS-172-OS-GR (10)	N/A	N/A	N/A	P3300 T 10GR	N/A	N/A	W-900-SS GREEN (10)
G782OS2POP	N/A	N/A	AS-172-OS-GR (20)	N/A	N/A	N/A	P3300 T 20GR	N/A	N/A	W-900-SS GREEN (20)
G782LS1POP	N/A	N/A	AS-172-SL-GR (10)	N/A	N/A	N/A	P3300 SL 10GR	N/A	N/A	W-900-SL GREEN (10)
G782A1POP	N/A	N/A	AS-172A-GR (10)	N/A	N/A	N/A	P3301 10GR	N/A	N/A	W-901 GREEN (10)
G782A2POP	N/A	N/A	AS-172A-GR (20)	N/A	N/A	N/A	P3301 20GR	N/A	N/A	W-901 GREEN (20)
G782AOS1POP	N/A	N/A	AS-172A-OS-GR (10)	N/A	N/A	N/A	N/A	N/A	N/A	W-901-SS GREEN (10)
G782AOS2POP	N/A	N/A	AS-172A-OS-GR (20)	N/A	N/A	N/A	N/A	N/A	N/A	W-901-SS GREEN (20)
G782K01POP	N/A	N/A	AS-172-KO-GR (10)	N/A	N/A	N/A	N/A	N/A	N/A	W-900-KO GREEN (10)
G782K02POP	N/A	N/A	AS-172-KO-GR (20)	N/A	N/A	N/A	N/A	N/A	N/A	W-900-KO GREEN (20)
<b>Yellow Zinc Dichromate</b>										
G7821YZ	N/A	N/A	AS-172-GD (10)	N/A	N/A	N/A	N/A	N/A	N/A	
G7822YZ	N/A	N/A	AS-172-GD (20)	N/A	N/A	N/A	N/A	N/A	N/A	
G782H1YZ	N/A	N/A	AS-172-RS-GD (10)	N/A	N/A	N/A	N/A	N/A	N/A	
G782H2YZ	N/A	N/A	AS-172-RS-GD (20)	N/A	N/A	N/A	N/A	N/A	N/A	
G782OS1YZ	N/A	N/A	AS-172-OS-GD (10)	N/A	N/A	N/A	N/A	N/A	N/A	
G782OS2YZ	N/A	N/A	AS-172-OS-GD (20)	N/A	N/A	N/A	N/A	N/A	N/A	
G782LS1YZ	N/A	N/A	AS-172-SL-GD (10)	N/A	N/A	N/A	N/A	N/A	N/A	
G782LS2YZ	N/A	N/A	AS-172-SL-GD (20)	N/A	N/A	N/A	N/A	N/A	N/A	
G782A1YZ	N/A	N/A	AS-172A-GD (10)	N/A	N/A	N/A	N/A	N/A	N/A	
G782A2YZ	N/A	N/A	AS-172A-GD (20)	N/A	N/A	N/A	N/A	N/A	N/A	
G782AOS1YZ	N/A	N/A	AS-172A-OS-GD (10)	N/A	N/A	N/A	N/A	N/A	N/A	
G782AOS2YZ	N/A	N/A	AS-172A-OS-GD (20)	N/A	N/A	N/A	N/A	N/A	N/A	
G782K01YZ	N/A	N/A	AS-172-KO-GD (10)	N/A	N/A	N/A	N/A	N/A	N/A	
G782K02YZ	N/A	N/A	AS-172-KO-GD (20)	N/A	N/A	N/A	N/A	N/A	N/A	
<b>Plain, Pickled, and Oiled</b>										
G7821PO	N/A	N/A	AS-172-BK (10)	N/A	N/A	N/A	P3300 10PL	N/A	N/A	W-900 PLAIN (10)
G7822PO	N/A	N/A	AS-172-BK (20)	N/A	N/A	N/A	P3300 20PL	N/A	N/A	W-900 PLAIN (20)
G782H1PO	N/A	N/A	AS-172-RS-BK (10)	N/A	N/A	N/A	P3300 HS 10PL	N/A	N/A	W-900-H PLAIN (10)
G782H2PO	N/A	N/A	AS-172-RS-BK (20)	N/A	N/A	N/A	P3300 HS 20PL	N/A	N/A	W-900-H PLAIN (20)
G782OS1PO	N/A	N/A	AS-172-OS-BK (10)	N/A	N/A	N/A	P3300 T 10PL	N/A	N/A	W-900-SS PLAIN (10)
G782OS2PO	N/A	N/A	AS-172-OS-BK (20)	N/A	N/A	N/A	P3300 T 20PL	N/A	N/A	W-900-SS PLAIN (20)
G782LS1PO	N/A	N/A	AS-172-SL-BK (10)	N/A	N/A	N/A	P3300 SL 10PL	N/A	N/A	W-900-SL PLAIN (10)
G782LS2PO	N/A	N/A	AS-172-SL-BK (20)	N/A	N/A	N/A	P3300 SL 20PL	N/A	N/A	W-900-SL PLAIN (20)
G782A1PO	N/A	N/A	AS-172A-BK (10)	N/A	N/A	N/A	P3301 10PL	N/A	N/A	W-901 PLAIN (10)
G782A2PO	N/A	N/A	AS-172A-BK (20)	N/A	N/A	N/A	P3301 20PL	N/A	N/A	W-901 PLAIN (20)
G782AOS1PO	N/A	N/A	AS-172A-OS-BK (10)	N/A	N/A	N/A	N/A	N/A	N/A	W-901-SS PLAIN (10)
G782AOS2PO	N/A	N/A	AS-172A-OS-BK (20)	N/A	N/A	N/A	N/A	N/A	N/A	W-901-SS PLAIN (20)
G782K01PO	N/A	N/A	AS-172-KO-BK (10)	N/A	N/A	N/A	N/A	N/A	N/A	W-900-KO PLAIN (10)
G782K02PO	N/A	N/A	AS-172-KO-BK (20)	N/A	N/A	N/A	N/A	N/A	N/A	W-900-KO PLAIN (20)
<b>Hot-dipped Galvanized</b>										
G7821HDG	N/A	N/A	AS-172-HD (10)	N/A	N/A	N/A	P3300 10HG	N/A	N/A	W-900 HDGAF (10)
G7822HDG	N/A	N/A	AS-172-HD (20)	N/A	N/A	N/A	P3300 20HG	N/A	N/A	W-900 HDGAF (20)
G782H1HDG	N/A	N/A	AS-172-RS-HD (10)	N/A	N/A	N/A	P3300 HS 10HG	N/A	N/A	W-900-H HDGAF (10)
G782H2HDG	N/A	N/A	AS-172-RS-HD (20)	N/A	N/A	N/A	P3300 HS 20HG	N/A	N/A	W-900-H HDGAF (20)
G782OS1HDG	N/A	N/A	AS-172-OS-HD (10)	N/A	N/A	N/A	P3300 T 10HG	N/A	N/A	W-900-SS HDGAF (10)
G782OS2HDG	N/A	N/A	AS-172-OS-HD (20)	N/A	N/A	N/A	P3300 T 20HG	N/A	N/A	W-900-SS HDGAF (20)
G782LS1HDG	N/A	N/A	AS-172-SL-HD (10)	N/A	N/A	N/A	P3300 SL 10HG	N/A	N/A	W-900-SL HDGAF (10)
G782LS2HDG	N/A	N/A	AS-172-SL-HD (20)	N/A	N/A	N/A	P3300 SL 20HG	N/A	N/A	W-900-SL HDGAF (20)
G782A1HDG	N/A	N/A	AS-172A-HD (10)	N/A	N/A	N/A	P3301 10HG	N/A	N/A	W-901 HDGAF (10)
G782A2HDG	N/A	N/A	AS-172A-HD (20)	N/A	N/A	N/A	P3301 20HG	N/A	N/A	W-901 HDGAF (20)
G782AOS1HDG	N/A	N/A	AS-172A-OS-HD (10)	N/A	N/A	N/A	N/A	N/A	N/A	W-901-SS HDGAF (10)
G102AOS2PVC	N/A	N/A	AS-172A-OS-HD (20)	N/A	N/A	N/A	N/A	N/A	N/A	W-901-SS HDGAF (20)
G782AOS2HDG	N/A	N/A	AS-172-KO-HD (10)	N/A	N/A	N/A	N/A	N/A	N/A	W-900-KO HDGAF (10)
G782K02HDG	N/A	N/A	AS-172-KO-HD (20)	N/A	N/A	N/A	N/A	N/A	N/A	W-900-KO HDGAF (20)
<b>Aluminum Extruded (N/A)</b>										
G7821AL (N/A)	N/A	N/A	AS-172-AL (10)	N/A	N/A	N/A	N/A	N/A	N/A	N/A
G7822AL (N/A)	N/A	N/A	AS-172-AL (20)	N/A	N/A	N/A	N/A	N/A	N/A	N/A
G782H1AL (N/A)	N/A	N/A	AS-172-RS-AL (10)	N/A	N/A	N/A	N/A	N/A	N/A	N/A
G782H2AL (N/A)	N/A	N/A	AS-172-RS-AL (20)	N/A	N/A	N/A	N/A	N/A	N/A	N/A
G782OS1AL (N/A)	N/A	N/A	AS-172-OS-AL (10)	N/A	N/A	N/A	N/A	N/A	N/A	N/A
G782OS2AL (N/A)	N/A	N/A	AS-172-OS-AL (20)	N/A	N/A	N/A	N/A	N/A	N/A	N/A
G782LS1AL (N/A)	N/A	N/A	AS-172-SL-AL (10)	N/A	N/A	N/A	N/A	N/A	N/A	N/A
G782LS2AL (N/A)	N/A	N/A	AS-172-SL-AL (20)	N/A	N/A	N/A	N/A	N/A	N/A	N/A
G782A1AL (N/A)	N/A	N/A	AS-172A-AL (10)	N/A	N/A	N/A	N/A	N/A	N/A	N/A
G782A2AL (N/A)	N/A	N/A	AS-172A-AL (20)	N/A	N/A	N/A	N/A	N/A	N/A	N/A
G782AOS1AL (N/A)	N/A	N/A	AS-172A-OS-AL (10)	N/A	N/A	N/A	N/A	N/A	N/A	N/A
G782AOS2AL (N/A)	N/A	N/A	AS-172A-OS-AL (20)	N/A	N/A	N/A	N/A	N/A	N/A	N/A
G782K01AL (N/A)	N/A	N/A	AS-172-KO-AL (10)	N/A	N/A	N/A	N/A	N/A	N/A	N/A
G782K02AL (N/A)	N/A	N/A	AS-172-KO-AL (20)	N/A	N/A	N/A	N/A	N/A	N/A	N/A

CROSS  
REFERENCE



(GREGORY) G-STRUT	(ANVIL INTERNATIONAL) ANVIL STRUT	(COOPER) B-LINE	(CULLY) MINERALLAC	(ELITE) ELITE COMPONENTS	(ERICO) ERI-STRUT	(FLEX STRUT) FLEX STRUT	(FLORIDA STRUT) FLORIDA STRUT	(GS METALS) GLOBE STRUT	(HAYDON) H-STRUT
<b>Stainless Steel (Grade 304) (N/A)</b>									
G7821SS (N/A)	N/A	N/A	N/A	N/A	N/A	N/A	N/A	N/A	H-172-SS X 10
G7822SS (N/A)	N/A	N/A	N/A	N/A	N/A	N/A	N/A	N/A	H-172-SS X 20
G782H1SS (N/A)	N/A	N/A	N/A	N/A	N/A	N/A	N/A	N/A	H-172-RS-SS X 10
G782OS1SS (N/A)	N/A	N/A	N/A	N/A	N/A	N/A	N/A	N/A	H-172-OS-SS X 10
G782OS2SS (N/A)	N/A	N/A	N/A	N/A	N/A	N/A	N/A	N/A	H-172-OS-SS X 20
G782LS1SS (N/A)	N/A	N/A	N/A	N/A	N/A	N/A	N/A	N/A	H-172-OS3-SS X 10
G782LS2SS (N/A)	N/A	N/A	N/A	N/A	N/A	N/A	N/A	N/A	H-172-OS3-SS X 20
G782A1SS (N/A)	N/A	N/A	N/A	N/A	N/A	N/A	N/A	N/A	H-172-A-SS X 10
G782A2SS (N/A)	N/A	N/A	N/A	N/A	N/A	N/A	N/A	N/A	H-172-A-SS X 20
G782AOS1SS (N/A)	N/A	N/A	N/A	N/A	N/A	N/A	N/A	N/A	
G782AOS2SS (N/A)	N/A	N/A	N/A	N/A	N/A	N/A	N/A	N/A	
G782KO1SS (N/A)	N/A	N/A	N/A	N/A	N/A	N/A	N/A	N/A	H-172-KO-SS X 10
G782KO2SS (N/A)	N/A	N/A	N/A	N/A	N/A	N/A	N/A	N/A	H-172-KO-SS X 20
<b>Stainless Steel (Grade 316) (N/A)</b>									
G7821SS6 (N/A)	N/A	N/A	N/A	N/A	N/A	N/A	N/A	N/A	H-172-SS(316) X 10
G7822SS6 (N/A)	N/A	N/A	N/A	N/A	N/A	N/A	N/A	N/A	H-172-SS(316) X 20
G782H1SS6 (N/A)	N/A	N/A	N/A	N/A	N/A	N/A	N/A	N/A	H-172-RS-SS(316) X 10
G782H2SS6 (N/A)	N/A	N/A	N/A	N/A	N/A	N/A	N/A	N/A	H-172-RS-SS(316) X 20
G782OS1SS6 (N/A)	N/A	N/A	N/A	N/A	N/A	N/A	N/A	N/A	H-172-OS-SS(316) X 10
G782OS2SS6 (N/A)	N/A	N/A	N/A	N/A	N/A	N/A	N/A	N/A	H-172-OS-SS(316) X 20
G782LS1SS6 (N/A)	N/A	N/A	N/A	N/A	N/A	N/A	N/A	N/A	H-172-OS3-SS(316) X 10
G782LS2SS6 (N/A)	N/A	N/A	N/A	N/A	N/A	N/A	N/A	N/A	H-172-OS3-SS(316) X 20
G782A1SS6 (N/A)	N/A	N/A	N/A	N/A	N/A	N/A	N/A	N/A	H-172-A-SS(316) X 10
G782A2SS6 (N/A)	N/A	N/A	N/A	N/A	N/A	N/A	N/A	N/A	H-172-A-SS(316) X 20
G782AOS1SS6 (N/A)	N/A	N/A	N/A	N/A	N/A	N/A	N/A	N/A	
G782AOS2SS6 (N/A)	N/A	N/A	N/A	N/A	N/A	N/A	N/A	N/A	
G782KO1SS6 (N/A)	N/A	N/A	N/A	N/A	N/A	N/A	N/A	N/A	H-172-KO-SS(316) X 10
G782KO2SS6 (N/A)	N/A	N/A	N/A	N/A	N/A	N/A	N/A	N/A	H-172-KO-SS(316) X 20
<b>PVC Coated (Galvanized or Black)</b>									
G7821PVC	N/A	N/A	N/A	N/A	N/A	N/A	N/A	N/A	
G7822PVC	N/A	N/A	N/A	N/A	N/A	N/A	N/A	N/A	
G782H1PVC	N/A	N/A	N/A	N/A	N/A	N/A	N/A	N/A	
G782H2PVC	N/A	N/A	N/A	N/A	N/A	N/A	N/A	N/A	
G782OS1PVC	N/A	N/A	N/A	N/A	N/A	N/A	N/A	N/A	
G782OS2PVC	N/A	N/A	N/A	N/A	N/A	N/A	N/A	N/A	
G782LS1PVC	N/A	N/A	N/A	N/A	N/A	N/A	N/A	N/A	
G782LS2PVC	N/A	N/A	N/A	N/A	N/A	N/A	N/A	N/A	
G782A1PVC	N/A	N/A	N/A	N/A	N/A	N/A	N/A	N/A	
G782A2PVC	N/A	N/A	N/A	N/A	N/A	N/A	N/A	N/A	
G782AOS1PVC	N/A	N/A	N/A	N/A	N/A	N/A	N/A	N/A	
G782AOS2PVC	N/A	N/A	N/A	N/A	N/A	N/A	N/A	N/A	
G782KO1PVC	N/A	N/A	N/A	N/A	N/A	N/A	N/A	N/A	
G782KO2PVC	N/A	N/A	N/A	N/A	N/A	N/A	N/A	N/A	
<b>Pre-Galvanized - G-132 - 13/16" x 1-5/8"</b>									
G1321	AS 520-PG 10	B52 GALV 120	N/A	N/A	C121000PG	FS-520-PG-10		N/A	H-162-PG X 10
G1322	AS 520-PG 20	B52 GALV 240	N/A	N/A	C122000PG	FS-520-PG-20		N/A	H-162-PG X 20
G132H1	AS 520H-PG 10	B52 H17/8 GALV 120	N/A	N/A		FS-520-H-PG-10		N/A	H-162-RS-PG X 10
G132H2	AS 520H-PG 20	B52 H17/8 GALV 240	N/A	N/A		FS-520-H-PG-20		N/A	H-162-RS-PG X 20
G132OS1	AS 520EH-PG 10	B52 SH GALV 120	N/A	ES C12 UST009	C12HS1000PG	FS-520-SS-PG-10	FS121316-10-PRE-GALV	N/A	H-162-OS-PG X 10
G132OS2	AS 520EH-PG 20	B52 SH GALV 240	N/A	ES C12 UST011	C12HS2000PG	FS-520-SS-PG-20	FS121316-20-PRE-GALV	N/A	H-162-OS-PG X 20
G132LS1	AS 520S-PG 10	P52 S GALV 120	N/A	N/A		FS-520-SL-PG-10		N/A	H-162-OS3-PG X 10
G132LS2	AS 520S-PG 20	B52 S GALV 240	N/A	N/A		FS-520-SL-PG-20		N/A	H-162-OS3-PG X 20
G132A1	AS 520BTB-PG 10	B52A GALV 120	N/A	N/A		FS-521-SL-PG-10		N/A	H-162-A-PG X 10
G132A2	AS 520BTB-PG 10	B52A GALV 240	N/A	N/A		FS-521-SL-PG-20		N/A	H-162-A-PG X 20
G132AOS1			N/A	N/A			FS121316BB-10-PRE-GALV	N/A	
G132AOS2			N/A	N/A			FS121316BB-20-PRE-GALV	N/A	
G132KO1		B52 K06 GALV 120	N/A	N/A		FS-521-KO-PG-10		N/A	H-162-KO-PG X 10
G132KO2		B52 K06 GALV 240	N/A	N/A		FS-521-KO-PG-20		N/A	H-162-KO-PG X 20
<b>Green</b>									
G1321POP	AS 520-GR 10	B52 GRN 120	N/A	N/A	C121000GN	FS-520-GR-10	N/A	N/A	H-162-GR X 10
G1322POP	AS 520-GR 20	B52 GRN 240	N/A	N/A	C122000GN	FS-520-GR-20	N/A	N/A	H-162-GR X 20
G132H1POP	AS 520H-GR 10	B52 H17/8 GRN 120	N/A	N/A		FS-520-H-GR-10	N/A	N/A	H-162-RS-GR X 10
G132H2POP	AS 520H-GR 20	B52 H17/8 GRN 240	N/A	N/A		FS-520-H-GR-20	N/A	N/A	H-162-RS-GR X 20
G132OS1POP	AS 520EH-GR 10	B52 SH GRN 120	N/A	ES C14 UST010	C12HS1000GN	FS-520-SS-GR-10	N/A	N/A	H-162-OS-GR X 10
G132OS2POP	AS 520EH-GR 20	B52 SH GRN 240	N/A	ES C14 UST012	C12HS2000GN	FS-520-SS-GR-20	N/A	N/A	H-162-OS-GR X 20
G132LS1POP	AS 520S-GR 10	B52 S GRN 120	N/A	N/A		FS-520-SL-GR-10	N/A	N/A	H-162-OS3-GR X 10
G132LS2POP	AS 520S-GR 20	B52 S GRN 240	N/A	N/A		FS-520-SL-GR-20	N/A	N/A	H-162-OS3-GR X 20
G132A1POP	AS 520BTB-GR 10	B52A GRN 120	N/A	N/A		FS-521-GR-10	N/A	N/A	H-162-A-GR X 10
G132A2POP	AS 520BTB-GR 20	B52A GRN 240	N/A	N/A		FS-521-GR-20	N/A	N/A	H-162-A-GR X 20
G132AOS1POP			N/A	N/A			N/A	N/A	
G132AOS2POP			N/A	N/A			N/A	N/A	
G132KO1POP		B52 K06 GRN 120	N/A	N/A		FS-520-KO-GR-10	N/A	N/A	H-162-KO-GR X 10
G132KO2POP		B52 K06 GRN 240	N/A	N/A		FS-520-KO-GR-20	N/A	N/A	H-162-KO-GR X 20

CROSS REFERENCE

(GREGORY) G-STRUT	(PHD MFG) PHD STRUT	(TYCO / ALLIED) POWER-STRUT	(POWER-UTILITY PRODUCTS) PUPCO	(SASCO) SASCO STRUT	(THOMAS & BETTS) SUPER-STRUT	(TOLCO) TOL-STRUT	(TYCO) UNI-STRUT	(UNITRON) U.S. STRUT	(VERSABAR CORP) VERSABAR	WESANCO WESTRUT
<b>Stainless Steel (Grade 304) (N/A)</b>										
G7821SS (N/A)	N/A	N/A	AS-172-SS4 (10)	N/A	N/A	N/A	N/A	N/A	N/A	N/A
G7822SS (N/A)	N/A	N/A	AS-172-SS4 (20)	N/A	N/A	N/A	N/A	N/A	N/A	N/A
G782H1SS (N/A)	N/A	N/A	AS-172-RS-SS4 (10)	N/A	N/A	N/A	N/A	N/A	N/A	N/A
G782H2SS (N/A)	N/A	N/A	AS-172-RS-SS4 (20)	N/A	N/A	N/A	N/A	N/A	N/A	N/A
G782OS1SS (N/A)	N/A	N/A	AS-172-OS-SS4 (10)	N/A	N/A	N/A	N/A	N/A	N/A	N/A
G782OS2SS (N/A)	N/A	N/A	AS-172-OS-SS4 (20)	N/A	N/A	N/A	N/A	N/A	N/A	N/A
G782LS1SS (N/A)	N/A	N/A	AS-172-SL-SS4 (10)	N/A	N/A	N/A	N/A	N/A	N/A	N/A
G782LS2SS (N/A)	N/A	N/A	AS-172-SL-SS4 (20)	N/A	N/A	N/A	N/A	N/A	N/A	N/A
G782A1SS (N/A)	N/A	N/A	AS-172A-SS4 (10)	N/A	N/A	N/A	N/A	N/A	N/A	N/A
G782A2SS (N/A)	N/A	N/A	AS-172A-SS4 (20)	N/A	N/A	N/A	N/A	N/A	N/A	N/A
G782AOS1SS (N/A)	N/A	N/A	AS-172A-OS-SS4 (10)	N/A	N/A	N/A	N/A	N/A	N/A	N/A
G782AOS2SS (N/A)	N/A	N/A	AS-172A-OS-SS4 (20)	N/A	N/A	N/A	N/A	N/A	N/A	N/A
G782K01SS (N/A)	N/A	N/A	AS-172-KO-SS4 (10)	N/A	N/A	N/A	N/A	N/A	N/A	N/A
G782K02SS (N/A)	N/A	N/A	AS-172-KO-SS4 (20)	N/A	N/A	N/A	N/A	N/A	N/A	N/A
<b>Stainless Steel (Grade 316) (N/A)</b>										
G7821SS6 (N/A)	N/A	N/A	AS-172-SS6 (10)	N/A	N/A	N/A	N/A	N/A	N/A	N/A
G7822SS6 (N/A)	N/A	N/A	AS-172-SS6 (20)	N/A	N/A	N/A	N/A	N/A	N/A	N/A
G782H1SS6 (N/A)	N/A	N/A	AS-172-RS-SS6 (10)	N/A	N/A	N/A	N/A	N/A	N/A	N/A
G782H2SS6 (N/A)	N/A	N/A	AS-172-RS-SS6 (20)	N/A	N/A	N/A	N/A	N/A	N/A	N/A
G782OS1SS6 (N/A)	N/A	N/A	AS-172-OS-SS6 (10)	N/A	N/A	N/A	N/A	N/A	N/A	N/A
G782OS2SS6 (N/A)	N/A	N/A	AS-172-OS-SS6 (20)	N/A	N/A	N/A	N/A	N/A	N/A	N/A
G782LS1SS6 (N/A)	N/A	N/A	AS-172-SL-SS6 (10)	N/A	N/A	N/A	N/A	N/A	N/A	N/A
G782LS2SS6 (N/A)	N/A	N/A	AS-172-SL-SS6 (20)	N/A	N/A	N/A	N/A	N/A	N/A	N/A
G782A1SS6 (N/A)	N/A	N/A	AS-172A-SS6 (10)	N/A	N/A	N/A	N/A	N/A	N/A	N/A
G782A2SS6 (N/A)	N/A	N/A	AS-172A-SS6 (20)	N/A	N/A	N/A	N/A	N/A	N/A	N/A
G782AOS-1SS6 (N/A)	N/A	N/A	AS-172A-OS-SS6 (10)	N/A	N/A	N/A	N/A	N/A	N/A	N/A
G782AOS2SS6 (N/A)	N/A	N/A	AS-172A-OS-SS6 (20)	N/A	N/A	N/A	N/A	N/A	N/A	N/A
G782K01SS6 (N/A)	N/A	N/A	AS-172-KO-SS6 (10)	N/A	N/A	N/A	N/A	N/A	N/A	N/A
G782K02SS6 (N/A)	N/A	N/A	AS-172-KO-SS6 (20)	N/A	N/A	N/A	N/A	N/A	N/A	N/A
<b>PVC Coated (Galvanized or Black)</b>										
G7821PVC	N/A	N/A	AS-172-PVC (10)	N/A	N/A	N/A	N/A	N/A	N/A	N/A
G7822PVC	N/A	N/A	AS-172-PVC (20)	N/A	N/A	N/A	N/A	N/A	N/A	N/A
G782H1PVC	N/A	N/A	AS-172-RS-PVC (10)	N/A	N/A	N/A	N/A	N/A	N/A	N/A
G782H2PVC	N/A	N/A	AS-172-RS-PVC (20)	N/A	N/A	N/A	N/A	N/A	N/A	N/A
G782OS1PVC	N/A	N/A	AS-172-OS-PVC (10)	N/A	N/A	N/A	N/A	N/A	N/A	N/A
G782OS2PVC	N/A	N/A	AS-172-OS-PVC (20)	N/A	N/A	N/A	N/A	N/A	N/A	N/A
G782LS1PVC	N/A	N/A	AS-172-SL-PVC (10)	N/A	N/A	N/A	N/A	N/A	N/A	N/A
G782LS2PVC	N/A	N/A	AS-172-SL-PVC (20)	N/A	N/A	N/A	N/A	N/A	N/A	N/A
G782A1PVC	N/A	N/A	AS-172A-PVC (10)	N/A	N/A	N/A	N/A	N/A	N/A	N/A
G782A2PVC	N/A	N/A	AS-172A-PVC (20)	N/A	N/A	N/A	N/A	N/A	N/A	N/A
G782AOS1PVC	N/A	N/A	AS-172A-OS-PVC (10)	N/A	N/A	N/A	N/A	N/A	N/A	N/A
G782AOS2PVC	N/A	N/A	AS-172A-OS-PVC (20)	N/A	N/A	N/A	N/A	N/A	N/A	N/A
G782K01PVC	N/A	N/A	AS-172-KO-PVC (10)	N/A	N/A	N/A	N/A	N/A	N/A	N/A
G782K02PVC	N/A	N/A	AS-172-KO-PVC (20)	N/A	N/A	N/A	N/A	N/A	N/A	N/A
<b>Pre-Galvanized - G-132 - 13/16" x 1-5/8"</b>										
G1321	1201 PG (10)	PS 520 10 PG	N/A	N/A	B1200 10PG	C-12 10	N/A	N/A	VA-13 EG (10)	N/A
G1322	1202 PG (20)	PS 520 20 PG	N/A	N/A	B1200 20PG	C-12 20	N/A	N/A	VA-13 EG (20)	N/A
G132H1	1221 PG (10)	PS 520 H 10 PG	N/A	N/A	B1200H 10PG	N/A	N/A	N/A	VA-13P1.87 EG (10)	N/A
G132H2	1222 PG (20)	PS 520 H 20 PG	N/A	N/A	B1200H 20PG	N/A	N/A	N/A	VA-13P1.87 EG (20)	N/A
G132OS1	1211 PG (10)	PS 520 EH 10 PG	N/A	N/A	B1200HS 10PG	N/A	N/A	N/A	VA-13PLH EG (10)	N/A
G132OS2	1212 PG (20)	PS 520 EH 20 PG	N/A	N/A	B1200HS 20PG	N/A	N/A	N/A	VA-13PLH EG (20)	N/A
G132LS1	1231 PG (10)	PS 520 S 10 PG	N/A	N/A	B1200LS 10PG	N/A	N/A	N/A	VA-13P3S EG (10)	N/A
G132LS2	1232 PG (20)	PS 520 S 20 PG	N/A	N/A	B1200LS 20PG	N/A	N/A	N/A	VA-13P3S EG (20)	N/A
G132A1	1201A PG (10)	PS 520 2T3 10 PG	N/A	N/A	B1200-2 10PG	C-12A 10	N/A	N/A	VA-13201 EG (10)	N/A
G132A2	1202A PG (20)	PS 520 2T3 20 PG	N/A	N/A	B1200-2 20PG	C-12A 20	N/A	N/A	VA-13201 EG (20)	N/A
G132AOS1	1211A PG (10)	N/A	N/A	N/A	B1200-2HS 10PG	N/A	N/A	N/A	N/A	N/A
G132AOS2	1212A PG (20)	N/A	N/A	N/A	B1200-2HS 20PG	N/A	N/A	N/A	N/A	N/A
G132K01	1241 PG (10)	N/A	N/A	N/A	N/A	N/A	N/A	N/A	N/A	N/A
G132K02	1242 PG (20)	N/A	N/A	N/A	N/A	N/A	N/A	N/A	N/A	N/A
<b>Green</b>										
G1321POP	N/A	PS 520 10 GR	N/A	N/A	B1200 10GR	N/A	N/A	N/A	VA-13 GR(10)	N/A
G1322POP	N/A	PS 520 20 GR	N/A	N/A	B1200 20GR	N/A	N/A	N/A	VA-13 GR(20)	N/A
G132H1POP	N/A	PS 520 H 10 GR	N/A	N/A	B1200H 10GR	N/A	N/A	N/A	VA-13P1.87 GR(10)	N/A
G132H2POP	N/A	PS 520 H 20 GR	N/A	N/A	B1200H 20GR	N/A	N/A	N/A	VA-13P1.87 GR(20)	N/A
G132OS1POP	N/A	PS 520 EH 10 GR	N/A	N/A	B1200HS 10GR	N/A	N/A	N/A	N/A	N/A
G132OS2POP	N/A	PS 520 EH 20 GR	N/A	N/A	B1200HS 20GR	N/A	N/A	N/A	N/A	N/A
G132LS1POP	N/A	PS 520 S 10 GR	N/A	N/A	B1200LS 10GR	N/A	N/A	N/A	N/A	N/A
G132LS2POP	N/A	PS 520 S 20 GR	N/A	N/A	B1200LS 20GR	N/A	N/A	N/A	N/A	N/A
G132A1POP	N/A	PS 520 2T3 10 GR	N/A	N/A	B1200-2 10GR	N/A	N/A	N/A	N/A	N/A
G132A2POP	N/A	PS 520 2T3 20 GR	N/A	N/A	B1200-2 20GR	N/A	N/A	N/A	N/A	N/A
G132AOS1POP	N/A	N/A	N/A	N/A	B1200-2HS 10GR	N/A	N/A	N/A	N/A	N/A
G132AOS2POP	N/A	N/A	N/A	N/A	B1200-2HS 20GR	N/A	N/A	N/A	N/A	N/A
G132K01POP	N/A	N/A	N/A	N/A	N/A	N/A	N/A	N/A	N/A	N/A
G132K02POP	N/A	N/A	N/A	N/A	N/A	N/A	N/A	N/A	N/A	N/A

CROSS  
REFERENCE



(GREGORY) G-STRUT	(ANVIL INTERNATIONAL) ANVIL STRUT	(COOPER) B-LINE	(CULLY) MINERALLAC	(ELITE) ELITE COMPONENTS	(ERICO) ERI-STRUT	(FLEX STRUT) FLEX STRUT	(FLORIDA STRUT) FLORIDA STRUT	(GS METALS) GLOBE STRUT	(HAYDON) H-STRUT
<b>Yellow Zinc Dichromate</b>									
G1321YZ		N/A	N/A	N/A	C121000CG	N/A	N/A	N/A	
G1322YZ		N/A	N/A	N/A	C122000CG	N/A	N/A	N/A	
G132H1YZ		N/A	N/A	N/A		N/A	N/A	N/A	
G132H2YZ		N/A	N/A	N/A		N/A	N/A	N/A	
G132OS1YZ		N/A	N/A	N/A	C12HS1000CG	N/A	N/A	N/A	
G132OS2YZ		N/A	N/A	N/A	C12HS2000CG	N/A	N/A	N/A	
G132LS1YZ		N/A	N/A	N/A		N/A	N/A	N/A	
G132LS2YZ		N/A	N/A	N/A		N/A	N/A	N/A	
G132A1YZ		N/A	N/A	N/A		N/A	N/A	N/A	
G132A2YZ		N/A	N/A	N/A		N/A	N/A	N/A	
G132AOS1YZ		N/A	N/A	N/A		N/A	N/A	N/A	
G132AOS2YZ		N/A	N/A	N/A		N/A	N/A	N/A	
G132K01YZ		N/A	N/A	N/A		N/A	N/A	N/A	
G132K02YZ		N/A	N/A	N/A		N/A	N/A	N/A	
<b>Galvanized (WIZcoat™)</b>									
G1321GN	N/A	N/A	N/A	N/A	N/A	N/A	N/A	N/A	N/A
G1322GN	N/A	N/A	N/A	N/A	N/A	N/A	N/A	N/A	N/A
G132H1GN	N/A	N/A	N/A	N/A	N/A	N/A	N/A	N/A	N/A
G132H2GN	N/A	N/A	N/A	N/A	N/A	N/A	N/A	N/A	N/A
G132OS1GN	N/A	N/A	N/A	N/A	N/A	N/A	N/A	N/A	N/A
G132OS2GN	N/A	N/A	N/A	N/A	N/A	N/A	N/A	N/A	N/A
G132LS1GN	N/A	N/A	N/A	N/A	N/A	N/A	N/A	N/A	N/A
G132LS2GN	N/A	N/A	N/A	N/A	N/A	N/A	N/A	N/A	N/A
G132A1GN	N/A	N/A	N/A	N/A	N/A	N/A	N/A	N/A	N/A
G132A2GN	N/A	N/A	N/A	N/A	N/A	N/A	N/A	N/A	N/A
G132AOS1GN	N/A	N/A	N/A	N/A	N/A	N/A	N/A	N/A	N/A
G132AOS2GN	N/A	N/A	N/A	N/A	N/A	N/A	N/A	N/A	N/A
G132K01GN	N/A	N/A	N/A	N/A	N/A	N/A	N/A	N/A	N/A
G132K02GN	N/A	N/A	N/A	N/A	N/A	N/A	N/A	N/A	N/A
<b>Plain, Pickled, &amp; Oiled</b>									
G1321PO	AS 520-PL 10	B52 PLN 120	N/A	N/A	N/A	FS-520-PL-10		N/A	H-162-PL X 10
G1322PO	AS 520-PL 20	B52 PLN 240	N/A	N/A	N/A	FS-520-PL-20		N/A	H-162-PL X 20
G132H1PO	AS 520H-PL 10	B52 H17/8 PLN 120	N/A	N/A	N/A	FS-520-H-PL-10		N/A	H-162-RS-PL X 10
G132H2PO	AS 520H-PL 20	B52 H17/8 PLN 240	N/A	N/A	N/A	FS-520-H-PL-20		N/A	H-162-RS-PL X 20
G132OS1PO	AS 520EH-PL 10	B52 SH PLN 120	N/A	N/A	N/A	FS-520-SS-PL-10	FS121316-10-PLAIN	N/A	H-162-OS-PL X 10
G132OS2PO	AS 520EH-PL 20	B52 S PLN 240	N/A	N/A	N/A	FS-520-SS-PL-20	FS121316-20-PLAIN	N/A	H-162-OS-PL X 20
G132LS1PO	AS 520S-PL 10	B52 S PLN 120	N/A	N/A	N/A	FS-520-SL-PL-10		N/A	H-162-OS3-PL X 10
G132LS2PO	AS 520S-PL 20	B52 S PLN 240	N/A	N/A	N/A	FS-520-SL-PL-20		N/A	H-162-OS3-PL X 20
G132A1PO	AS 520BTB-PL 10	B52A PLN 120	N/A	N/A	N/A	FS-521-PL-10		N/A	H-162-A-PL X 10
G132A2PO	AS 520BTB-PL 20	B52A PLN 240	N/A	N/A	N/A	FS-521-PL-20		N/A	H-162-A-PL X 20
G132AOS1PO			N/A	N/A	N/A		FS121316BB-10-PLAIN	N/A	
G132AOS2PO			N/A	N/A	N/A		FS121316BB-20-PLAIN	N/A	
G132K01PO		B52 K06 PLN 120	N/A	N/A	N/A	FS-520-KO-PL-10		N/A	H-162-KO-PL X 10
G132K02PO		B52 K06 PLN 240	N/A	N/A	N/A	FS-520-KO-PL-20		N/A	H-162-KO-PL X 20
<b>Hot-dipped Galvanized</b>									
G1321HDG		B52 HDG 120	N/A	N/A	N/A	FS-520-HD -10		N/A	
G1322HDG		B52 HDG 240	N/A	N/A	N/A	FS-520-HD -20		N/A	
G132H1HDG		B52 H17/8 HDG 120	N/A	N/A	N/A	FS-520-H-HD -10		N/A	
G132H2HDG		B52 H17/8 HDG 240	N/A	N/A	N/A	FS-520-H-HD -20		N/A	
G132OS1HDG		B52 SH HDG 120	N/A	N/A	N/A	FS-520-SS-HD -10	FS121316-10-HD	N/A	
G132OS2HDG		B52 SH HDG 240	N/A	N/A	N/A	FS-520-SS-HD -20	FS121316-20-HD	N/A	
G132LS1HDG		B52 S HDG120	N/A	N/A	N/A	FS-520-SL-HD -10		N/A	
G132LS2HDG		B52 S HDG 240	N/A	N/A	N/A	FS-520-SL-HD -20		N/A	
G132A1HDG		B52A HDG 120	N/A	N/A	N/A	FS-521-HD -10		N/A	
G132A2HDG		B52A HDG 240	N/A	N/A	N/A	FS-521-HD -20		N/A	
G132AOS1HDG			N/A	N/A	N/A		FS121316BB-10-HD	N/A	
G132AOS2HDG			N/A	N/A	N/A		FS121316BB-20-HD	N/A	
G132K01HDG		B52 K06 HDG 120	N/A	N/A	N/A	FS-520-KO-HD-10		N/A	
G132K02HDG		B52 K06 HDG 240	N/A	N/A	N/A	FS-520-KO-HD-20		N/A	
<b>Aluminum Extruded (N/A)</b>									
G1321AL (N/A)		N/A	N/A	N/A	C121000AL	FS-520-AL -10		N/A	
G1322AL (N/A)		N/A	N/A	N/A	C122000AL	FS-520-AL -20		N/A	
G132H1AL (N/A)		N/A	N/A	N/A		FS-520-H-AL -10		N/A	
G132H2AL (N/A)		N/A	N/A	N/A		FS-520-H-AL -20		N/A	
G132OS1AL (N/A)		N/A	N/A	N/A		FS-520-SS-AL -10	FS121316-10-ALUMINUM	N/A	
G132OS2AL (N/A)		N/A	N/A	N/A		FS-520-SS-AL -20	FS121316-20-ALUMINUM	N/A	
G132LS1AL (N/A)		N/A	N/A	N/A		FS-520-SL-AL -10		N/A	
G132LS2AL (N/A)		N/A	N/A	N/A		FS-520-SL-AL -20		N/A	
G132A1AL (N/A)		N/A	N/A	N/A		FS-521-AL -10		N/A	
G132A2AL (N/A)		N/A	N/A	N/A		FS-521-AL -20		N/A	
G132AOS1AL (N/A)		N/A	N/A	N/A			FS121316BB-10-ALUMINUM	N/A	
G132AOS2AL (N/A)		N/A	N/A	N/A			FS121316BB-20-ALUMINUM	N/A	
G132K01AL (N/A)		N/A	N/A	N/A		FS-520-KO-AL-10		N/A	
G132K02AL (N/A)		N/A	N/A	N/A		FS-520-KO-AL-20		N/A	

CROSS REFERENCE

(GREGORY) G-STRUT	(PHD MFG) PHD STRUT	(TYCO / ALLIED) POWER-STRUT	(POWER-UTILITY PRODUCTS) PUPCO	(SASCO) SASCO STRUT	(THOMAS & BETTS) SUPER-STRUT	(TOLCO) TOL-STRUT	(TYCO) UNI-STRUT	(UNITRON) U.S. STRUT	(VERSABAR CORP) VERSABAR	WESANCO WESTRUT
<b>Yellow Zinc Dichromate</b>										
G1321YZ	N/A	PS 520 10 ZD	N/A	N/A		N/A	N/A	N/A	N/A	N/A
G1322YZ	N/A	PS 520 20 ZD	N/A	N/A		N/A	N/A	N/A	N/A	N/A
G132H1YZ	N/A	PS 520 H 10 ZD	N/A	N/A		N/A	N/A	N/A	N/A	N/A
G132H2YZ	N/A	PS 520 H 20 ZD	N/A	N/A		N/A	N/A	N/A	N/A	N/A
G132OS1YZ	N/A	PS 520 EH 10 ZD	N/A	N/A		N/A	N/A	N/A	N/A	N/A
G132OS2YZ	N/A	PS 520 EH 20 ZD	N/A	N/A		N/A	N/A	N/A	N/A	N/A
G132LS1YZ	N/A	PS 520 S 10 ZD	N/A	N/A		N/A	N/A	N/A	N/A	N/A
G132LS2YZ	N/A	PS 520 S 20 ZD	N/A	N/A		N/A	N/A	N/A	N/A	N/A
G132A1YZ	N/A	PS 520 2T3 10 ZD	N/A	N/A		N/A	N/A	N/A	N/A	N/A
G132A2YZ	N/A	PS 520 2T3 20 ZD	N/A	N/A		N/A	N/A	N/A	N/A	N/A
G132AOS1YZ	N/A	N/A	N/A	N/A		N/A	N/A	N/A	N/A	N/A
G132AOS2YZ	N/A	N/A	N/A	N/A		N/A	N/A	N/A	N/A	N/A
G132K01YZ	N/A	N/A	N/A	N/A		N/A	N/A	N/A	N/A	N/A
G132K02YZ	N/A	N/A	N/A	N/A		N/A	N/A	N/A	N/A	N/A
<b>Galvannealed (WIZcoat™)</b>										
G1321GN	N/A	N/A	N/A	N/A	N/A	N/A	N/A	N/A	N/A	N/A
G1322GN	N/A	N/A	N/A	N/A	N/A	N/A	N/A	N/A	N/A	N/A
G132H1GN	N/A	N/A	N/A	N/A	N/A	N/A	N/A	N/A	N/A	N/A
G132H2GN	N/A	N/A	N/A	N/A	N/A	N/A	N/A	N/A	N/A	N/A
G132OS1GN	N/A	N/A	N/A	N/A	N/A	N/A	N/A	N/A	N/A	N/A
G132OS2GN	N/A	N/A	N/A	N/A	N/A	N/A	N/A	N/A	N/A	N/A
G132LS1GN	N/A	N/A	N/A	N/A	N/A	N/A	N/A	N/A	N/A	N/A
G132LS2GN	N/A	N/A	N/A	N/A	N/A	N/A	N/A	N/A	N/A	N/A
G132A1GN	N/A	N/A	N/A	N/A	N/A	N/A	N/A	N/A	N/A	N/A
G132A2GN	N/A	N/A	N/A	N/A	N/A	N/A	N/A	N/A	N/A	N/A
G132AOS1GN	N/A	N/A	N/A	N/A	N/A	N/A	N/A	N/A	N/A	N/A
G132AOS2GN	N/A	N/A	N/A	N/A	N/A	N/A	N/A	N/A	N/A	N/A
G132K01GN	N/A	N/A	N/A	N/A	N/A	N/A	N/A	N/A	N/A	N/A
G132K02GN	N/A	N/A	N/A	N/A	N/A	N/A	N/A	N/A	N/A	N/A
<b>Plain, Pickled, &amp; Oiled</b>										
G1321PO	1201 PL (10)	PS 520 10 PL	N/A	N/A	B1200 10B	N/A	N/A	N/A	N/A	N/A
G1322PO	1202 PL (20)	PS 520 20 PL	N/A	N/A	B1200 20B	N/A	N/A	N/A	N/A	N/A
G132H1PO	1221 PL (10)	PS 520 H 10 PL	N/A	N/A	B1200H 10B	N/A	N/A	N/A	N/A	N/A
G132H2PO	1222 PL (20)	PS 520 H 20 PL	N/A	N/A	B1200H 20B	N/A	N/A	N/A	N/A	N/A
G132OS1PO	1211 PL (10)	PS 520 EH 10 PL	N/A	N/A	B1200HS 10B	N/A	N/A	N/A	N/A	N/A
G132OS2PO	1212 PL (20)	PS 520 EH 20 PL	N/A	N/A	B1200HS 20B	N/A	N/A	N/A	N/A	N/A
G132LS1PO	1231 PL (10)	PS 520 S 10 PL	N/A	N/A	B1200LS 10B	N/A	N/A	N/A	N/A	N/A
G132LS2PO	1232 PL (20)	PS 520 S 20 PL	N/A	N/A	B1200LS 20B	N/A	N/A	N/A	N/A	N/A
G132A1PO	1201A PL (10)	PS 520 2T3 10 PL	N/A	N/A	B1200-2 10B	N/A	N/A	N/A	N/A	N/A
G132A2PO	1202A PL (20)	PS 520 2T3 20 PL	N/A	N/A	B1200-2 20B	N/A	N/A	N/A	N/A	N/A
G132AOS1PO	1211A PL (10)	N/A	N/A	N/A	B1200-2HS 10B	N/A	N/A	N/A	N/A	N/A
G132AOS2PO	1212A PL (20)	N/A	N/A	N/A	B1200-2HS 20B	N/A	N/A	N/A	N/A	N/A
G132K01PO	1241 PL (10)	N/A	N/A	N/A	N/A	N/A	N/A	N/A	N/A	N/A
G132K02PO	1242 PL (20)	N/A	N/A	N/A	N/A	N/A	N/A	N/A	N/A	N/A
<b>Hot-dipped Galvanized</b>										
G1321HDG	1201 HD (10)	PS 520 10 HG	N/A	N/A	B1200 10HDG	N/A	N/A	N/A	N/A	N/A
G1322HDG	1202 HD (20)	PS 520 20 HG	N/A	N/A	B1200 20HDG	N/A	N/A	N/A	N/A	N/A
G132H1HDG	1221 HD (10)	PS 520 H 10 HG	N/A	N/A	B1200H 10HDG	N/A	N/A	N/A	N/A	N/A
G132H2HDG	1222 HD (20)	PS 520 H 20 HG	N/A	N/A	B1200H 20HDG	N/A	N/A	N/A	N/A	N/A
G132OS1HDG	1211 HD (10)	PS 520 EH 10 HG	N/A	N/A	B1200HS 10HDG	N/A	N/A	N/A	N/A	N/A
G132OS2HDG	1212 HD (20)	PS 520 EH 20 HG	N/A	N/A	B1200HS 20HDG	N/A	N/A	N/A	N/A	N/A
G132LS1HDG	1231 HD (10)	PS 520 S 10 HG	N/A	N/A	B1200LS 10HDG	N/A	N/A	N/A	N/A	N/A
G132LS2HDG	1232 HD (20)	PS 520 S 20 HG	N/A	N/A	B1200LS 20HDG	N/A	N/A	N/A	N/A	N/A
G132A1HDG	1201A HD (10)	PS 520 2T3 10 HG	N/A	N/A	B1200-2 10HDG	N/A	N/A	N/A	N/A	N/A
G132A2HDG	1202A HD (20)	PS 520 2T3 20 HG	N/A	N/A	B1200-2 20HDG	N/A	N/A	N/A	N/A	N/A
G132AOS1HDG	1211A HD (10)	N/A	N/A	N/A	B1200-2HS 10HDG	N/A	N/A	N/A	N/A	N/A
G132AOS2HDG	1212A HD (20)	N/A	N/A	N/A	B1200-2HS 20HDG	N/A	N/A	N/A	N/A	N/A
G132K01HDG	1241 HD (10)	N/A	N/A	N/A	N/A	N/A	N/A	N/A	N/A	N/A
G132K02HDG	1242 HD (20)	N/A	N/A	N/A	N/A	N/A	N/A	N/A	N/A	N/A
<b>Aluminum Extruded (N/A)</b>										
G1321AL (N/A)	1201 AL (20)	PS 520 10 AL	N/A	N/A	B1200 10AL	N/A	N/A	N/A	N/A	N/A
G1322AL (N/A)	1202 AL (20)	PS 520 20 AL	N/A	N/A	B1200 20AL	N/A	N/A	N/A	N/A	N/A
G132H1AL (N/A)	1221 AL (20)	PS 520 H 10 AL	N/A	N/A	B1200H 10AL	N/A	N/A	N/A	N/A	N/A
G132H2AL (N/A)	1222 AL (20)	PS 520 H 20 AL	N/A	N/A	B1200H 20AL	N/A	N/A	N/A	N/A	N/A
G132OS1AL (N/A)	1211 AL (20)	PS 520 EH 10 AL	N/A	N/A	B1200HS 10AL	N/A	N/A	N/A	N/A	N/A
G132OS2AL (N/A)	1212 AL (20)	PS 520 EH 20 AL	N/A	N/A	B1200HS 20AL	N/A	N/A	N/A	N/A	N/A
G132LS1AL (N/A)	1231 AL (20)	PS 520 S 10 AL	N/A	N/A	B1200LS 10AL	N/A	N/A	N/A	N/A	N/A
G132LS2AL (N/A)	1232 AL (20)	PS 520 S 20 AL	N/A	N/A	B1200LS 20AL	N/A	N/A	N/A	N/A	N/A
G132A1AL (N/A)	1201A AL (20)	PS 520 2T3 10 AL	N/A	N/A	B1200-2 10AL	N/A	N/A	N/A	N/A	N/A
G132A2AL (N/A)	1202A AL (20)	PS 520 2T3 20 AL	N/A	N/A	B1200-2 20AL	N/A	N/A	N/A	N/A	N/A
G132AOS1AL (N/A)	1211A AL (20)	N/A	N/A	N/A	B1200-2HS 10AL	N/A	N/A	N/A	N/A	N/A
G132AOS2AL (N/A)	1212A AL (20)	N/A	N/A	N/A	B1200-2HS 20AL	N/A	N/A	N/A	N/A	N/A
G132K01AL (N/A)	1241 AL (20)	N/A	N/A	N/A	N/A	N/A	N/A	N/A	N/A	N/A
G132K02AL (N/A)	1242 AL (20)	N/A	N/A	N/A	N/A	N/A	N/A	N/A	N/A	N/A

CROSS  
REFERENCE

(GREGORY) G-STRUT	(ANVIL INTERNATIONAL) ANVIL STRUT	(COOPER) B-LINE	(CULLY) MINERALLAC	(ELITE) ELIITE COMPONENTS	(ERICO) ERI-STRUT	(FLEX STRUT) FLEX STRUT	(FLORIDA STRUT) FLORIDA STRUT	(GS METALS) GLOBE STRUT	(HAYDON) H-STRUT
<b>Stainless Steel (Grade 304) (N/A)</b>									
G1321SS (N/A)		N/A	N/A	N/A	N/A	N/A		N/A	H-162-SS X 10
G1322SS (N/A)		N/A	N/A	N/A	N/A	N/A		N/A	H-162-SS X 20
G132H1SS (N/A)		N/A	N/A	N/A	N/A	N/A		N/A	H-162-RS-SS X 10
G132H2SS (N/A)		N/A	N/A	N/A	N/A	N/A		N/A	H-162-RS-SS X 20
G1320S1SS (N/A)		N/A	N/A	N/A	N/A	N/A	FS121316-10-SS	N/A	H-162-OS-SS X 10
G1320S2SS (N/A)		N/A	N/A	N/A	N/A	N/A	FS121316-20-SS	N/A	H-162-OS-SS X 20
G132LS1SS (N/A)		N/A	N/A	N/A	N/A	N/A		N/A	H-162-OS3-SS X 10
G132LS2SS (N/A)		N/A	N/A	N/A	N/A	N/A		N/A	H-162-OS3-SS X 20
G132A1SS (N/A)		N/A	N/A	N/A	N/A	N/A		N/A	H-162-A-SS X 10
G132A2SS (N/A)		N/A	N/A	N/A	N/A	N/A		N/A	H-162-A-SS X 20
G132AOS1SS (N/A)		N/A	N/A	N/A	N/A	N/A	FS121316BB-10-SS	N/A	
G132AOS2SS (N/A)		N/A	N/A	N/A	N/A	N/A	FS121316BB-20-SS	N/A	
G132K01SS (N/A)		N/A	N/A	N/A	N/A	N/A		N/A	H-162-KO-SS X 10
G132K02SS (N/A)		N/A	N/A	N/A	N/A	N/A		N/A	H-162-KO-SS X 20
<b>Stainless Steel (Grade 316) (N/A)</b>									
G1321SS6 (N/A)		N/A	N/A	N/A	N/A	N/A		N/A	H-162-SS(316) X 10
G1322SS6 (N/A)		N/A	N/A	N/A	N/A	N/A		N/A	H-162-SS(316) X 20
G132H1SS6 (N/A)		N/A	N/A	N/A	N/A	N/A		N/A	H-162-RS-SS(316) X 10
G132H2SS6 (N/A)		N/A	N/A	N/A	N/A	N/A		N/A	H-162-RS-SS(316) X 20
G1320S1SS6 (N/A)		N/A	N/A	N/A	N/A	N/A	FS121316-10-SS(316)	N/A	H-162-OS-SS(316) X 10
G1320S2SS6 (N/A)		N/A	N/A	N/A	N/A	N/A	FS121316-20-SS(316)	N/A	H-162-OS-SS(316) X 20
G132LS1SS6 (N/A)		N/A	N/A	N/A	N/A	N/A		N/A	H-162-OS3-SS(316) X 10
G132LS2SS6 (N/A)		N/A	N/A	N/A	N/A	N/A		N/A	H-162-OS3-SS(316) X 20
G132A1SS6 (N/A)		N/A	N/A	N/A	N/A	N/A		N/A	H-162-A-SS(316) X 10
G132A2SS6 (N/A)		N/A	N/A	N/A	N/A	N/A		N/A	H-162-A-SS(316) X 20
G132AOS1SS6 (N/A)		N/A	N/A	N/A	N/A	N/A	FS121316BB-10-SS(316)	N/A	
G132AOS2SS6 (N/A)		N/A	N/A	N/A	N/A	N/A	FS121316BB-20-SS(316)	N/A	
G132K01SS6 (N/A)		N/A	N/A	N/A	N/A	N/A		N/A	H-162-KO-SS(316) X 10
G132K02SS6 (N/A)		N/A	N/A	N/A	N/A	N/A		N/A	H-162-KO-SS(316) X 20
<b>PVC Coated (Galvanized or Black)</b>									
G1321PVC		N/A	N/A	N/A	N/A	N/A	N/A	N/A	
G1322PVC		N/A	N/A	N/A	N/A	N/A	N/A	N/A	
G132H1PVC		N/A	N/A	N/A	N/A	N/A	N/A	N/A	
G132H2PVC		N/A	N/A	N/A	N/A	N/A	N/A	N/A	
G1320S1PVC		N/A	N/A	N/A	N/A	N/A	N/A	N/A	
G1320S2PVC		N/A	N/A	N/A	N/A	N/A	N/A	N/A	
G132LS1PVC		N/A	N/A	N/A	N/A	N/A	N/A	N/A	
G132LS2PVC		N/A	N/A	N/A	N/A	N/A	N/A	N/A	
G-132A1PVC		N/A	N/A	N/A	N/A	N/A	N/A	N/A	
G-132A2PVC		N/A	N/A	N/A	N/A	N/A	N/A	N/A	
G132AOS1PVC		N/A	N/A	N/A	N/A	N/A	N/A	N/A	
G132AOS2PVC		N/A	N/A	N/A	N/A	N/A	N/A	N/A	
G132K01PVC		N/A	N/A	N/A	N/A	N/A	N/A	N/A	
G132K02PVC		N/A	N/A	N/A	N/A	N/A	N/A	N/A	

CROSS  
REFERENCE

(GREGORY) G-STRUT	(PHD MFG) PHD STRUT	(TYCO / ALLIED) POWER-STRUT	(POWER-UTILITY PRODUCTS) PUPCO	(SASCO) SASCO STRUT	(THOMAS & BETTS) SUPER-STRUT	(TOLCO) TOL-STRUT	(TYCO) UNI-STRUT	(UNITRON) U.S. STRUT	(VERSABAR CORP) VERSABAR	WESANCO WESTRUT
<b>Stainless Steel (Grade 304) (N/A)</b>										
G1321SS (N/A)	1201 SS304 (10)	PS 520 10 SS	N/A	N/A		N/A	N/A	N/A	N/A	N/A
G1322SS (N/A)	1202 SS304 (20)	PS 520 20 SS	N/A	N/A		N/A	N/A	N/A	N/A	N/A
G132H1SS (N/A)	1221 SS304 (10)	PS 520 H 10 SS	N/A	N/A		N/A	N/A	N/A	N/A	N/A
G132H2SS (N/A)	1222 SS304 (20)	PS 520 H 20 SS	N/A	N/A		N/A	N/A	N/A	N/A	N/A
G1320S1SS (N/A)	1211 SS304 (10)	PS 520 EH 10 SS	N/A	N/A		N/A	N/A	N/A	N/A	N/A
G1320S2SS (N/A)	1212 SS304 (20)	PS 520 EH 20 SS	N/A	N/A		N/A	N/A	N/A	N/A	N/A
G132LS1SS (N/A)	1231 SS304 (10)	PS 520 S 10 SS	N/A	N/A		N/A	N/A	N/A	N/A	N/A
G132LS2SS (N/A)	1232 SS304 (20)	PS 520 S 20 SS	N/A	N/A		N/A	N/A	N/A	N/A	N/A
G132A1SS (N/A)	1201A SS304 (10)	PS 520 2T3 10 SS	N/A	N/A		N/A	N/A	N/A	N/A	N/A
G132A2SS (N/A)	1202A SS304 (20)	PS 520 2T3 20 SS	N/A	N/A		N/A	N/A	N/A	N/A	N/A
G132A0S1SS (N/A)	1211A SS304 (10)	N/A	N/A	N/A		N/A	N/A	N/A	N/A	N/A
G132A0S2SS (N/A)	1212A SS304 (20)	N/A	N/A	N/A		N/A	N/A	N/A	N/A	N/A
G132K01SS (N/A)	1241 SS304 (10)	N/A	N/A	N/A		N/A	N/A	N/A	N/A	N/A
G132K02SS (N/A)	1242 SS304 (20)	N/A	N/A	N/A		N/A	N/A	N/A	N/A	N/A
<b>Stainless Steel (Grade 316) (N/A)</b>										
G1321SS6 (N/A)	1201 SS316 (10)	PS 520 10 SS(316)	N/A	N/A		N/A	N/A	N/A	N/A	N/A
G1322SS6 (N/A)	1202 SS316 (10)	PS 520 20 SS(316)	N/A	N/A		N/A	N/A	N/A	N/A	N/A
G132H1SS6 (N/A)	1221 SS316 (10)	PS 520 H 10 SS(316)	N/A	N/A		N/A	N/A	N/A	N/A	N/A
G-132H2SS6 (N/A)	1222 SS316 (10)	PS 520 H 20 SS(316)	N/A	N/A		N/A	N/A	N/A	N/A	N/A
G1320S1SS6 (N/A)	1211 SS316 (10)	PS 520 EH 10 SS(316)	N/A	N/A		N/A	N/A	N/A	N/A	N/A
G1320S2SS6 (N/A)	1212 SS316 (10)	PS 520 EH 20 SS(316)	N/A	N/A		N/A	N/A	N/A	N/A	N/A
G132LS1SS6 (N/A)	1231 SS316 (10)	PS 520 S 10 SS(316)	N/A	N/A		N/A	N/A	N/A	N/A	N/A
G132LS2SS6 (N/A)	1232 SS316 (10)	PS 520 S 20 SS(316)	N/A	N/A		N/A	N/A	N/A	N/A	N/A
G132A1SS6 (N/A)	1201A SS316 (10)	PS 520 2T3 10 SS(316)	N/A	N/A		N/A	N/A	N/A	N/A	N/A
G132A2SS6 (N/A)	1202A SS316 (10)	PS 520 2T3 20 SS(316)	N/A	N/A		N/A	N/A	N/A	N/A	N/A
G132A0S1SS6 (N/A)	1211A SS316 (10)	N/A	N/A	N/A		N/A	N/A	N/A	N/A	N/A
G132A0S2SS6 (N/A)	1212A SS316 (10)	N/A	N/A	N/A		N/A	N/A	N/A	N/A	N/A
G132K01SS6 (N/A)	1241 SS316 (10)	N/A	N/A	N/A		N/A	N/A	N/A	N/A	N/A
G132K02SS6 (N/A)	1242 SS316 (10)	N/A	N/A	N/A		N/A	N/A	N/A	N/A	N/A
<b>PVC Coated (Galvanized or Black)</b>										
G1321PVC	N/A	N/A	N/A	N/A	B1200 10PVC	N/A	N/A	N/A	N/A	N/A
G1322PVC	N/A	N/A	N/A	N/A	B1200 20PVC	N/A	N/A	N/A	N/A	N/A
G132H1PVC	N/A	N/A	N/A	N/A	B1200H 10PVC	N/A	N/A	N/A	N/A	N/A
G132H2PVC	N/A	N/A	N/A	N/A	B1200H 20PVC	N/A	N/A	N/A	N/A	N/A
G1320S1PVC	N/A	N/A	N/A	N/A	B1200HS 10PVC	N/A	N/A	N/A	N/A	N/A
G1320S2PVC	N/A	N/A	N/A	N/A	B1200HS 20PVC	N/A	N/A	N/A	N/A	N/A
G132LS1PVC	N/A	N/A	N/A	N/A	B1200LS 10PVC	N/A	N/A	N/A	N/A	N/A
G132LS2PVC	N/A	N/A	N/A	N/A	B1200LS 20PVC	N/A	N/A	N/A	N/A	N/A
G132A1PVC	N/A	N/A	N/A	N/A	B1200-2 10PVC	N/A	N/A	N/A	N/A	N/A
G132A2PVC	N/A	N/A	N/A	N/A	B1200-2 20PVC	N/A	N/A	N/A	N/A	N/A
G132A0S1PVC	N/A	N/A	N/A	N/A	B1200-2HS 10PVC	N/A	N/A	N/A	N/A	N/A
G132A0S2PVC	N/A	N/A	N/A	N/A	B1200-2HS 20PVC	N/A	N/A	N/A	N/A	N/A
G132K01PVC	N/A	N/A	N/A	N/A	N/A	N/A	N/A	N/A	N/A	N/A
G132K02PVC	N/A	N/A	N/A	N/A	N/A	N/A	N/A	N/A	N/A	N/A

(GREGORY) G-STRUT	(ANVIL INTERNATIONAL) ANVIL STRUT	(COOPER) B-LINE	(CULLY) MINERALLAC	(ELITE) ELITE COMPONENTS	(ERICO) ERI-STRUT	(FLEX STRUT) FLEX STRUT	(FLORIDA STRUT) FLORIDA STRUT	(GS METALS) GLOBE STRUT	(HAYDON) H-STRUT
<b>Pre-Galvanized - G-134 - 13/16" x 1-5/8"</b>									
G1341	AS 500-PG 10	B54 GALV 120	N/A	N/A	C141000PG	FS-500-PG-10		N/A	H-164-PG X 10
G1342	AS 500-PG 20	B54 GALV 240	N/A	N/A	C142000PG	FS-500-PG-20		N/A	H-164-PG X 20
G134H1	AS 500H-PG 10	B54 H17/8 GALV 120	N/A	N/A		FS-500-H-PG-10		N/A	H-164-RS-PG X 10
G134H2	AS 500H-PG 20	B54 H17/8 GALV 240	N/A	N/A		FS-500-H-PG-20		N/A	H-164-RS-PG X 20
G134OS1	AS 500EH-PG 10	B54 SH GALV 120	N/A	ES C14 UST013	C14HS1000PG	FS-500-SS-PG-10	FS141316-10-PG	N/A	H-164-OS-PG X 10
G134OS2	AS 500EH-PG 20	B54 SH GALV 240	N/A	ES C14 UST015	C14HS2000PG	FS-500-SS-PG-20	FS141316-20-PG	N/A	H-164-OS-PG X 20
G134LS1	AS 500S-PG 10	B54 S GALV 120	N/A	N/A		FS-500-SL-PG-10		N/A	H-164-OS3-PG X 10
G134LS2	AS 500S-PG 20	B54 S GALV 240	N/A	N/A		FS-500-SL-PG-20		N/A	H-164-OS3-PG X 20
G134A1	AS 500BTB-PG 10	B54A GALV 120	N/A	N/A		FS-501-PG-10		N/A	H-164-A-PG X 10
G134A2	AS 500BTB-PG 20	B54A GALV 240	N/A	N/A		FS-501-PG-20		N/A	H-164-A-PG X 20
G134AOS1			N/A	N/A			FS141316BB-10-PG	N/A	
G134AOS2			N/A	N/A			FS141316BB-20-PG	N/A	
G134KO1		B54 K06 GALV 120	N/A	N/A		FS-500-KO-PG-10		N/A	H-164-KO-PG X 10
G134KO2		B54 K06 GALV 240	N/A	N/A		FS-500-KO-PG-20		N/A	H-164-KO-PG X 20
<b>Green</b>									
G1341POP	AS 500-GR 10	B54 GRN 120	N/A	N/A		FS-500-GR-10	N/A	N/A	H-164-GRN X 10
G1342POP	AS 500-GR 20	B54 GRN 240	N/A	N/A		FS-500-GR-20	N/A	N/A	H-164-GRN X 20
G134H1POP	AS 500H-GR 10	B54 H17/8 GRN 120	N/A	N/A		FS-500-H-GR-10	N/A	N/A	H-164-RS-GRN X 10
G134H2POP	AS 500H-GR 20	B54 H17/8 GRN 240	N/A	N/A		FS-500-H-GR-20	N/A	N/A	H-164-RS-GRN X 20
G134OS1POP	AS 500EH-GR 10	B54 SH GRN 120	N/A	ES C14 UST014	C14HS1000GN	FS-500-SS-GR-10	N/A	N/A	H-164-OS-GRN X 10
G134OS2POP	AS 500EH-GR 20	B54 SH GRN 240	N/A	ES C14 UST016	C14HS2000GN	FS-500-SS-GR-20	N/A	N/A	H-164-OS-GRN X 20
G134LS1POP	AS 500S-GR 10	B54 S GRN 120	N/A	N/A	N/A	FS-500-SL-GR-10	N/A	N/A	H-164-OS3-GRN X 10
G134LS2POP	AS 500S-GR 20	B54 S GRN 240	N/A	N/A	C14S2000GN	FS-500-SL-GR-20	N/A	N/A	H-164-OS3-GRN X 20
G134A1POP	AS 500BTB-GR 10	B54A GRN 120	N/A	N/A		FS-501-GR-10	N/A	N/A	H-164-A-GRN X 10
G134A2POP	AS 500BTB-GR 20	B54A GRN 240	N/A	N/A		FS-501-GR-20	N/A	N/A	H-164-A-GRN X 20
G134AOS1POP			N/A	N/A			N/A	N/A	
G134AOS2POP			N/A	N/A			N/A	N/A	
G134KO1POP		B54 K06 GRN 120	N/A	N/A		FS-500-KO-GR-10	N/A	N/A	H-164-KO-GRN X 10
G134KO2POP		B54 K06 GRN 240	N/A	N/A		FS-500-KO-GR-20	N/A	N/A	H-164-KO-GRN X 20
<b>Yellow Zinc Dichromate</b>									
G1341YZ		N/A	N/A	N/A		N/A	N/A	N/A	H-164-ZN X 10
G1342YZ		N/A	N/A	N/A		N/A	N/A	N/A	H-164-ZN X 20
G134H1YZ		N/A	N/A	N/A		N/A	N/A	N/A	H-164-RS-ZN X 10
G134H2YZ		N/A	N/A	N/A		N/A	N/A	N/A	H-164-RS-ZN X 20
G134OS1YZ		N/A	N/A	N/A	C14H1000CG	N/A	N/A	N/A	H-164-OS-ZN X 10
G134OS2YZ		N/A	N/A	N/A	C14H2000CG	N/A	N/A	N/A	H-164-OS-ZN X 20
G134LS1YZ		N/A	N/A	N/A		N/A	N/A	N/A	H-164-OS3-ZN X 10
G134LS2YZ		N/A	N/A	N/A		N/A	N/A	N/A	H-164-OS3-ZN X 20
G134A1YZ		N/A	N/A	N/A		N/A	N/A	N/A	H-164-A-ZN X 10
G134A2YZ		N/A	N/A	N/A		N/A	N/A	N/A	H-164-A-ZN X 20
G134AOS1YZ		N/A	N/A	N/A		N/A	N/A	N/A	
G134AOS2YZ		N/A	N/A	N/A		N/A	N/A	N/A	
G134-KO1YZ		N/A	N/A	N/A		N/A	N/A	N/A	H-164-KO-ZN X 10
G134KO2YZ		N/A	N/A	N/A		N/A	N/A	N/A	H-164-KO-ZN X 20
<b>Aluminum Extruded</b>									
G1341AL		B54 AL 120	N/A	N/A	N/A	FS-500-AL-10	N/A	N/A	H-164-AL X 10
G1342AL		B54 AL 240	N/A	N/A	N/A	FS-500-AL-20	N/A	N/A	H-164-AL X 20
G134H1AL		B54 H17/8 AL 120	N/A	N/A	N/A	FS-500-H-AL-10	N/A	N/A	H-164-RS-AL X 10
G134H2AL		B54 H17/8 AL 240	N/A	N/A	N/A	FS-500-H-AL-20	N/A	N/A	H-164-RS-AL X 20
G134OS1AL		B54 SH AL 120	N/A	N/A	N/A	FS-500-SS-AL-10	N/A	N/A	H-164-OS-AL X 10
G134OS2AL		B54 SH AL 240	N/A	N/A	N/A	FS-500-SS-AL-20	N/A	N/A	H-164-OS-AL X 20
G134LS1AL		B54 S AL 120	N/A	N/A	N/A	FS-500-SL-AL-10	N/A	N/A	H-164-OS3-AL X 10
G134LS2AL		B54 S AL 240	N/A	N/A	N/A	FS-500-SL-AL-20	N/A	N/A	H-164-OS3-AL X 20
G134A1AL		B54A AL120	N/A	N/A	N/A	FS-501-AL-10	N/A	N/A	H-164-A-AL X 10
G134A2AL		B54A AL 240	N/A	N/A	N/A	FS-501-AL-20	N/A	N/A	H-164-A-AL X 20
G134AOS1AL			N/A	N/A	N/A		N/A	N/A	
G134AOS2AL			N/A	N/A	N/A		N/A	N/A	
G134KO1AL		B54 K06 AL 120	N/A	N/A	N/A	FS-500-KO-AL-10	N/A	N/A	H-164-KO-AL 10
G134KO2AL		B54 K06 AL 240	N/A	N/A	N/A	FS-500-KO-AL-20	N/A	N/A	H-164-KO-AL X 20
<b>Galvannealed (WIZcoat™)</b>									
G1341GN	N/A	N/A	N/A	N/A	N/A	N/A	N/A	N/A	N/A
G1342GN	N/A	N/A	N/A	N/A	N/A	N/A	N/A	N/A	N/A
G134H1GN	N/A	N/A	N/A	N/A	N/A	N/A	N/A	N/A	N/A
G134H2GN	N/A	N/A	N/A	N/A	N/A	N/A	N/A	N/A	N/A
G134OS1GN	N/A	N/A	N/A	N/A	N/A	N/A	N/A	N/A	N/A
G134OS2GN	N/A	N/A	N/A	N/A	N/A	N/A	N/A	N/A	N/A
G134LS1GN	N/A	N/A	N/A	N/A	N/A	N/A	N/A	N/A	N/A
G134LS2GN	N/A	N/A	N/A	N/A	N/A	N/A	N/A	N/A	N/A
G134A1GN	N/A	N/A	N/A	N/A	N/A	N/A	N/A	N/A	N/A
G134A2GN	N/A	N/A	N/A	N/A	N/A	N/A	N/A	N/A	N/A
G134AOS1GN	N/A	N/A	N/A	N/A	N/A	N/A	N/A	N/A	N/A
G134AOS2GN	N/A	N/A	N/A	N/A	N/A	N/A	N/A	N/A	N/A
G134KO1GN	N/A	N/A	N/A	N/A	N/A	N/A	N/A	N/A	N/A
G134KO2GN	N/A	N/A	N/A	N/A	N/A	N/A	N/A	N/A	N/A

CROSS REFERENCE

(GREGORY) G-STRUT	(PHD MFG) PHD STRUT	(TYCO / ALLIED) POWER-STRUT	(POWER-UTILITY PRODUCTS) PUPCO	(SASCO) SASCO STRUT	(THOMAS & BETTS) SUPER-STRUT	(TOLCO) TOL-STRUT	(TYCO) UNI-STRUT	(UNITRON) U.S. STRUT	(VERSABAR CORP) VERSABAR	WESANCO WESTRUT
<b>Pre-Galvanized - G-134 - 13/16" x 1-5/8"</b>										
G1341	1301 PG (10)	PS 500 10 PG	AS-164-PG (10)	S7G (10)	B1400 10PG	C-14 10	P4100 10PG	UN 100-14 PG (10)	VA-4 (10)	W-500 PRE-GALV (10)
G1342	1302 PG (20)	PS 500 20 PG	AS-164-PG (20)	S7G (20)	B1400 20PG	C-14 20	P4100 20PG	UN 100-14 PG (20)	VA-4 (20)	W-500 PRE-GALV (20)
G134H1	1321 PG (10)	PS 500 H 10 PG	AS-164-RS-PG (10)	S7H112G (10)	B1400H 10PG	N/A	P4100 HS 10PG	UN 102-14 PG (10)	VA-4P1.87 (10)	W-500 H PRE-GALV (10)
G134H2	1322 PG (20)	PS 500 H 20 PG	AS-164-RS-PG (20)	S7H112G (20)	B1400H 20PG	N/A	P4100 HS 20PG	UN 102-14 PG (20)	VA-4P1.87 (20)	W-500 H PRE-GALV (20)
G134OS1	1311 PG (10)	PS 500 EH 10 PG	AS-164-OS-PG (10)	S7SL2G (10)	B1400HS 10PG	N/A	P4100 T 10PG	UN 104-14 PG (10)	VA-4PLH (10)	W-500 SS PRE-GALV (10)
G134OS2	1312 PG (20)	PS 500 EH 20 PG	AS-164-OS-PG (20)	S7SL2G (20)	B1400HS 20PG	N/A	P4100 T 20PG	UN 104-14 PG (20)	VA-4PLH (20)	W-500 SS PRE-GALV (20)
G134LS1	1331 PG (10)	PS 500 S 10 PG	AS-164-SL-PG (10)	S7SL4G (10)	B1400LS 10PG	N/A	P4100 SL 10PG	UN 105-14 PG (10)	VA-4P3S (10)	W-500 SL PRE-GALV (10)
G134LS2	1332 PG (20)	PS 500 S 20 PG	AS-164-SL-PG (20)	S7SL4G (20)	B1400LS 20PG	N/A	P4100 SL 20PG	UN 105-14 PG (20)	VA-4P3S (20)	W-500 SL PRE-GALV (20)
G134A1	1301A PG (10)	PS 500 2T3 10 PG	AS-164A-PG (10)	S7BB-G (10)	B1400-2 10PG	C-14A 10	P4101 10PG	UN 100-14BB PG (10)	VA-4201 (10)	W-501 PRE-GALV (10)
G134A2	1302A PG (20)	PS 500 2T3 20 PG	AS-164A-PG (20)	S7BB-G (20)	B1400-2 20PG	C-14A 20	P4101 20PG	UN 100-14BB PG (20)	VA-4201 (20)	W-501 PRE-GALV (20)
G134AOS1	1311A PG (10)	PS 500 2T3 EH 10 PG	AS-164A-OS-PG (10)		B1400-2HS 10PG	N/A	N/A	UN 104-14BB PG (10)	N/A	W-501 OS PRE-GALV (10)
G134AOS2	1312A PG (20)	PS 500 2T3 EH 20 PG	AS-164A-OS-PG (20)		B1400-2HS 20PG	N/A	N/A	UN 104-14BB PG (20)	N/A	W-501 OS PRE-GALV (20)
G134KO1	1341 PG (10)	N/A	AS-164-KO-PG (10)	S7KO6G (10)	N/A	N/A	N/A	UN 106-14 PG (10)	N/A	W-500 KO PRE-GALV (10)
G134KO2	1342 PG (20)	N/A	AS-164-KO-PG (20)	S7KO6G (20)	N/A	N/A	N/A	UN 106-14 PG (20)	N/A	W-500 KO PRE-GALV (20)
<b>Green</b>										
G1341POP	N/A	PS 500 10 GR	AS-164-GR (10)		B1400 10GR	N/A	P4100 10GR		VA-4 GR(10)	W-500 GREEN (10)
G1342POP	N/A	PS 500 20 GR	AS-164-GR (20)		B1400 20GR	N/A	P4100 20GR		VA-4 GR(20)	W-500 GREEN (20)
G134H1POP	N/A	PS 500 H 10 GR	AS-164-RS-GR (10)		B1400H 10GR	N/A	P4100 HS 10GR		VA-4P1.87 GR(10)	W-500 H GREEN (10)
G134H2POP	N/A	PS 500 H 20 GR	AS-164-RS-GR (20)		B1400H 20GR	N/A	P4100 HS 20GR		VA-4P1.87 GR(20)	W-500 H GREEN (20)
G134OS1POP	N/A	PS 500 EH 10 GR	AS-164-OS-GR (10)		B1400HS 10GR	N/A	P4100 T 10GR		VA-4PLH GR (10)	W-500 SS GREEN (10)
G134OS2POP	N/A	PS 500 EH 20 GR	AS-164-OS-GR (20)		B1400HS 20GR	N/A	P4100 T 20GR		VA-4PLH GR (20)	W-500 SS GREEN (20)
G134LS1POP	N/A	PS 500 S 10 GR	AS-164-SL-GR (10)		B1400LS 10GR	N/A	P4100 SL 10GR		VA-4P3S GR (10)	W-500 SL GREEN (10)
G134LS2POP	N/A	PS 500 S 20 GR	AS-164-SL-GR (20)		B1400LS 20GR	N/A	P4100 SL 20GR		VA-4P3S GR (20)	W-500 SL GREEN (20)
G134A1POP	N/A	PS 500 2T3 10 GR	AS-164A-GR (10)		B1400-2 10GR	N/A	P4101 10GR		VA-4201 GR (10)	W-501 GREEN (10)
G134A2POP	N/A	PS 500 2T3 20 GR	AS-164A-GR (20)		B1400-2 20GR	N/A	P4101 20GR		VA-4201 GR (20)	W-501 GREEN (20)
G134AOS1POP	N/A	PS 500 EH 2T3 10 GR	AS-164A-OS-GR (10)		B1400-2HS 10GR	N/A	N/A		N/A	W-501 OS GREEN (10)
G134AOS2POP	N/A	PS 500 EH 2T3 20 GR	AS-164A-OS-GR (20)		B1400-2HS 20GR	N/A	N/A		N/A	W-501 OS GREEN(20)
G134KO1POP	N/A	N/A	AS-164-KO-GR (10)		N/A	N/A	N/A		N/A	W-500 KO GREEN (10)
G134KO2POP	N/A	N/A	AS-164-KO-GR (20)		N/A	N/A	N/A		N/A	W-500 KO GREEN (20)
<b>Yellow Zinc Dichromate</b>										
G1341YZ	N/A	PS 500 10 ZD	AS-164-GD (10)			N/A	N/A		N/A	
G1342YZ	N/A	PS 500 20 ZD	AS-164-GD (20)			N/A	N/A		N/A	
G134H1YZ	N/A	PS 500 H 10 ZD	AS-164-RS-GD (10)			N/A	N/A		N/A	
G134H2YZ	N/A	PS 500 H 20 ZD	AS-164-RS-GD (20)			N/A	N/A		N/A	
G134OS1YZ	N/A	PS 500 EH 10 ZD	AS-164-OS-GD (10)			N/A	N/A		N/A	
G134OS2YZ	N/A	PS 500 EH 20 ZD	AS-164-OS-GD (20)			N/A	N/A		N/A	
G134LS1YZ	N/A	PS 500 S 10 ZD	AS-164-SL-GD (10)			N/A	N/A		N/A	
G134LS2YZ	N/A	PS 500 S 20 ZD	AS-164-SL-GD (20)			N/A	N/A		N/A	
G134A1YZ	N/A	PS 500 2T3 10 ZD	AS-164A-GD (10)			N/A	N/A		N/A	
G134A2YZ	N/A	PS 500 2T3 20 ZD	AS-164A-GD (20)			N/A	N/A		N/A	
G134AOS1YZ	N/A	PS 500 EH 2T3 10 ZD	AS-164A-OS-GD (10)			N/A	N/A		N/A	
G134AOS2YZ	N/A	PS 500 EH 2T3 20 ZD	AS-164A-OS-GD (20)			N/A	N/A		N/A	
G134KO1YZ	N/A	N/A	AS-164-KO-GD (10)			N/A	N/A		N/A	
G134KO2YZ	N/A	N/A	AS-164-KO-GD (20)			N/A	N/A		N/A	
<b>Aluminum Extruded</b>										
G1341AL	1301 AL (10)	PS 500 10 AL	AS-164-AL (10)	S7AL (10)	B1400 10AL	N/A	N/A		VA-4 AL(10)	N/A
G1342AL	1302 AL (20)	PS 500 20 AL	AS-164-AL (20)	S7AL (20)	B1400 20AL	N/A	N/A		VA-4 AL(20)	N/A
G134H1AL	1321 AL (10)	PS 500 H 10 AL	AS-164-RS-AL (10)	S7H112AL (10)	B1400H 10AL	N/A	N/A		VA-4P1.87 AL(10)	N/A
G134H2AL	1322 AL (20)	PS 500 H 20 AL	AS-164-RS-AL (20)	S7H112AL (20)	B1400H 20AL	N/A	N/A		VA-4P1.87 AL(20)	N/A
G134OS1AL	1311 AL (10)	PS 500 EH 10 AL	AS-164-OS-AL (10)	S7SL2AL (10)	B1400HS 10AL	N/A	N/A		VA-4PLH AL(10)	N/A
G134OS2AL	1312 AL (20)	PS 500 EH 20 AL	AS-164-OS-AL (20)	S7SL2AL (20)	B1400HS 20AL	N/A	N/A		VA-4PLH AL(20)	N/A
G134LS1AL	1331 AL (10)	PS 500 S 10 AL	AS-164-SL-AL (10)	S7SL4AL (10)	B1400LS 10AL	N/A	N/A		VA-4P3S AL(10)	N/A
G134LS2AL	1332 AL (20)	PS 500 S 20 AL	AS-164-SL-AL (20)	S7SL4AL (20)	B1400LS 20AL	N/A	N/A		VA-4P3S AL(20)	N/A
G134A1AL	1301A AL (10)	PS 500 2T3 10 AL	AS-164A-AL (10)	S7BB-AL (10)	B1400-2 10AL	N/A	N/A		VA-4201 AL(10)	N/A
G134A2AL	1302A AL (20)	PS 500 2T3 20 AL	AS-164A-AL (20)	S7BB-AL (20)	B1400-2 20AL	N/A	N/A		VA-4201 AL(20)	N/A
G134AOS1AL	1311A AL (10)	PS 500 EH 2T3 10 AL	AS-164A-OS-AL (10)		B1400-2HS 10AL	N/A	N/A		N/A	N/A
G134AOS2AL	1312A AL (20)	PS 500 EH 2T3 20 AL	AS-164A-OS-AL (20)		B1400-2HS 20AL	N/A	N/A		N/A	N/A
G134KO1AL	1341 AL (10)	N/A	AS-164-KO-AL (10)	S7KO6AL (10)	N/A	N/A	N/A		N/A	N/A
G134KO2AL	1342 AL (20)	N/A	AS-164-KO-AL (20)	S7KO6AL (20)	N/A	N/A	N/A		N/A	N/A
<b>Galvannealed (WIZcoat™)</b>										
G1341GN	N/A	N/A	N/A	N/A	N/A	N/A	N/A	N/A	N/A	N/A
G1342GN	N/A	N/A	N/A	N/A	N/A	N/A	N/A	N/A	N/A	N/A
G134H1GN	N/A	N/A	N/A	N/A	N/A	N/A	N/A	N/A	N/A	N/A
G134H2GN	N/A	N/A	N/A	N/A	N/A	N/A	N/A	N/A	N/A	N/A
G134OS1GN	N/A	N/A	N/A	N/A	N/A	N/A	N/A	N/A	N/A	N/A
G134OS2GN	N/A	N/A	N/A	N/A	N/A	N/A	N/A	N/A	N/A	N/A
G134LS1GN	N/A	N/A	N/A	N/A	N/A	N/A	N/A	N/A	N/A	N/A
G134LS2GN	N/A	N/A	N/A	N/A	N/A	N/A	N/A	N/A	N/A	N/A
G134A1GN	N/A	N/A	N/A	N/A	N/A	N/A	N/A	N/A	N/A	N/A
G134A2GN	N/A	N/A	N/A	N/A	N/A	N/A	N/A	N/A	N/A	N/A
G134AOS1GN	N/A	N/A	N/A	N/A	N/A	N/A	N/A	N/A	N/A	N/A
G134AOS2GN	N/A	N/A	N/A	N/A	N/A	N/A	N/A	N/A	N/A	N/A
G134KO1GN	N/A	N/A	N/A	N/A	N/A	N/A	N/A	N/A	N/A	N/A
G134KO2GN	N/A	N/A	N/A	N/A	N/A	N/A	N/A	N/A	N/A	N/A

CROSS REFERENCE

(GREGORY) G-STRUT	(ANVIL INTERNATIONAL) ANVIL STRUT	(COOPER) B-LINE	(CULLY) MINERALLAC	(ELITE) ELITE COMPONENTS	(ERICO) ERI-STRUT	(FLEX STRUT) FLEX STRUT	(FLORIDA STRUT) FLORIDA STRUT	(GS METALS) GLOBE STRUT	(HAYDON) H-STRUT
<b>Plain, Pickled, &amp; Oiled</b>									
G1341PO	AS 500-PL 10	B54 PLN 120	N/A	N/A	N/A	FS-500-PL-10		N/A	H-164-PL X 10
G1342PO	AS 500-PL 20	B54 PLN 240	N/A	N/A	N/A	FS-500-PL-20		N/A	H-164-PL X 20
G134H1PO	AS 500H-PL 10	B42 H178 PLN 120	N/A	N/A	N/A	FS-500-H-PL-10		N/A	H-164-RS-PL X 10
G134H2PO	AS 500H-PL 20	B42 H178 PLN 240	N/A	N/A	N/A	FS-500-H-PL-20		N/A	H-164-RS-PL X 20
G1340S1PO	AS 500EH-PL 10	B54 SH PLN 120	N/A	N/A	N/A	FS-500-SS-PL-10	FS141316-10-PLAIN	N/A	H-164-OS-PL X 10
G1340S2PO	AS 500EH-PL 20	B54 SH PLN 240	N/A	N/A	N/A	FS-500-SS-PL-20	FS141316-20-PLAIN	N/A	H-164-OS-PL X 20
G134LS1PO	AS 500S-PL 10	B54 S PLN 120	N/A	N/A	N/A	FS-500-SL-PL-10		N/A	H-164-OS3-PL X 10
G134LS2PO	AS 500S-PL 20	B54 S PLN 240	N/A	N/A	N/A	FS-500-SL-PL-20		N/A	H-164-OS3-PL X 20
G134A1PO	AS 500BTB-PL 10	B54A PLN 120	N/A	N/A	N/A	FS-501-PL-10		N/A	H-164-A-PL X 10
G134A2PO	AS 500BTB-PL 20	B54A PLN 240	N/A	N/A	N/A	FS-501-PL-20		N/A	H-164-A-PL X 20
G134AOS1PO			N/A	N/A	N/A		FS141316BB-10-PLAIN	N/A	
G134AOS2PO			N/A	N/A	N/A		FS141316BB-20-PLAIN	N/A	
G134K01PO		B54 K06 PLN 120	N/A	N/A	N/A	FS-500-KO-PL-10		N/A	H-164-KO-PL 10
G134K02PO		B54 K06 PLN 240	N/A	N/A	N/A	FS-500-KO-PL-20		N/A	H-164-KO-PL X 20
<b>Hot-dipped Galvanized</b>									
G1341HDG		B54 HDG 120	N/A	N/A	N/A	FS-500-HD-10		N/A	
G1342HDG		B54 HDG 240	N/A	N/A	N/A	FS-500-HD-20		N/A	
G134H1HDG		B54 H17/8 HDG 120	N/A	N/A	N/A	FS-500-H-HD-10		N/A	
G134H2HDG		B54 H17/8 HDG 240	N/A	N/A	N/A	FS-500-H-HD-20		N/A	
G1340S1HDG		B54 SH HDG 120	N/A	N/A	N/A	FS-500-SS-HD-10	FS141316-10-HD	N/A	
G1340S2HDG		B54 SH HDG 240	N/A	N/A	N/A	FS-500-SS-HD-20	FS141316-20-HD	N/A	
G134LS1HDG		B54 S HDG 120	N/A	N/A	N/A	FS-500-SL-HD-10		N/A	
G134LS2HDG		B54 S HDG 240	N/A	N/A	N/A	FS-500-SL-HD-20		N/A	
G134A1HDG		B54A HDG 120	N/A	N/A	N/A	FS-501-HD-10		N/A	
G134A2HDG		B54A HDG 240	N/A	N/A	N/A	FS-501-HD-20		N/A	
G134AOS1HDG			N/A	N/A	N/A		FS141316BB-10-HD	N/A	
G134AOS2HDG			N/A	N/A	N/A		FS141316BB-20-HD	N/A	
G134K01HDG		B54 K06 HDG 120	N/A	N/A	N/A	FS-500-KO-HD-10		N/A	
G134K02HDG		B54 K06 HDG 240	N/A	N/A	N/A	FS-500-KO-HD-20		N/A	
<b>Stainless Steel Grade 304</b>									
G1341SS		B54 SS4 120	N/A	N/A	C141000S4	FS-500-ST4-10		N/A	H-164-SS X 10
G1342SS		B54 SS4 240	N/A	N/A	C142000S4	FS-500-ST4-20		N/A	H-164-SS X 20
G134H1SS		B54 H17/8 SS4 120	N/A	N/A		FS-500-H-ST4-10		N/A	H-164-RS-SS X 10
G134H2SS		B54 H17/8 SS4 240	N/A	N/A		FS-500-H-ST4-20		N/A	H-164-RS-SS X 20
G1340S1SS		B54 SH SS4 120	N/A	N/A	C14HS1000S4	FS-500-SS-ST4-10	FS141316-10-SS	N/A	H-164-OS-SS X 10
G1340S2SS		B54 SH SS4 240	N/A	N/A	C14HS2000S4	FS-500-SS-ST4-20	FS141316-20-SS	N/A	H-164-OS-SS X 20
G134LS1SS		B54 S SS4 120	N/A	N/A		FS-500-SL-ST4-10		N/A	H-164-OS3-SS X 10
G134LS2SS		B54 S SS4 240	N/A	N/A		FS-500-SL-ST4-20		N/A	H-164-OS3-SS X 20
G134A1SS		B54A SS4 120	N/A	N/A		FS-501-ST4-10		N/A	H-164-A-SS X 10
G134A2SS		B54A SS4 240	N/A	N/A		FS-501-ST4-20		N/A	H-164-A-SS X 20
G134AOS1SS			N/A	N/A			FS141316BB-10-SS	N/A	
G134AOS2SS			N/A	N/A			FS141316BB-20-SS	N/A	
G134K01SS		B54 K06 SS4 120	N/A	N/A		FS-500-KO-ST4-10		N/A	H-164-KO-SS X 10
G134K02SS		B54 K06 SS4 240	N/A	N/A		FS-500-KO-ST4-20		N/A	H-164-KO-SS X 20
<b>Stainless Steel Grade 316</b>									
G1341SS(316)		B54 SS6 120	N/A	N/A	N/A	FS-500-ST6-10		N/A	H-164-SS(316) X 10
G1342SS(316)		B54 SS6 240	N/A	N/A	N/A	FS-500-ST6-20		N/A	H-164-SS(316) X 20
G134H1SS(316)		B54 H17/8 SS6 120	N/A	N/A	N/A	FS-500-H-ST6-10		N/A	H-164-RS-SS(316) X 10
G134H2SS(316)		B54 H17/8 SS6 240	N/A	N/A	N/A	FS-500-H-ST6-20		N/A	H-164-RS-SS(316) X 20
G1340S1SS(316)		B54 SH SS6 120	N/A	N/A	N/A	FS-500-SS-ST6-10	FS141316-10-SS(316)	N/A	H-164-OS-SS(316) X 10
G1340S2SS(316)		B54 SH SS6 240	N/A	N/A	N/A	FS-500-SS-ST6-20	FS141316-20-SS(316)	N/A	H-164-OS-SS(316) X 20
G134LS1SS(316)		B54 S SS6 120	N/A	N/A	N/A	FS-500-SL-ST6-10		N/A	H-164-OS3-SS(316) X 10
G134LS2SS(316)		B54 S SS6 240	N/A	N/A	N/A	FS-500-SL-ST6-20		N/A	H-164-OS3-SS(316) X 20
G134A1SS(316)		B54A SS6 120	N/A	N/A	N/A	FS-501-ST6-10		N/A	H-164-A-SS(316) X 10
G134A2SS(316)		B54A SS6 240	N/A	N/A	N/A	FS-501-ST6-20		N/A	H-164-A-SS(316) X 20
G134AOS1SS(316)			N/A	N/A	N/A		FS141316BB-10-SS(316)	N/A	
G134AOS2SS(316)			N/A	N/A	N/A		FS141316BB-20-SS(316)	N/A	
G134K01SS(316)		B54 K06 SS6 120	N/A	N/A	N/A	FS-500-KO-ST6-10		N/A	H-164-KO-SS(316) X 10
G134K02SS(316)		B54 K06 SS6 240	N/A	N/A	N/A	FS-500-KO-ST6-20		N/A	H-164-KO-SS(316) X 20
<b>PVC Coated (Galvanized or Black)</b>									
G1341PVC		N/A	N/A	N/A	N/A	N/A	N/A	N/A	H-164-PVC X 10
G1342PVC		N/A	N/A	N/A	N/A	N/A	N/A	N/A	H-164-PVC X 20
G134H1PVC		N/A	N/A	N/A	N/A	N/A	N/A	N/A	H-164-RS-PVC X 10
G134H2PVC		N/A	N/A	N/A	N/A	N/A	N/A	N/A	H-164-RS-PVC X 20
G1340S1PVC		N/A	N/A	N/A	N/A	N/A	N/A	N/A	H-164-OS-PVC X 10
G1340S2PVC		N/A	N/A	N/A	N/A	N/A	N/A	N/A	H-164-OS-PVC X 20
G134LS1PVC		N/A	N/A	N/A	N/A	N/A	N/A	N/A	H-164-OS3-PVC X 10
G134LS2PVC		N/A	N/A	N/A	N/A	N/A	N/A	N/A	H-164-OS3-PVC X 20
G134A1PVC		N/A	N/A	N/A	N/A	N/A	N/A	N/A	H-164-A-PVC X 10
G134A2PVC		N/A	N/A	N/A	N/A	N/A	N/A	N/A	H-164-A-PVC X 20
G134AOS1PVC		N/A	N/A	N/A	N/A	N/A	N/A	N/A	
G134AOS2PVC		N/A	N/A	N/A	N/A	N/A	N/A	N/A	
G134K01PVC		N/A	N/A	N/A	N/A	N/A	N/A	N/A	H-164-KO-PVC X 10
G134K02PVC		N/A	N/A	N/A	N/A	N/A	N/A	N/A	H-164-KO-PVC X 20

CROSS REFERENCE



(GREGORY) G-STRUT	(PHD MFG) PHD STRUT	(TYCO / ALLIED) POWER-STRUT	(POWER-UTILITY PRODUCTS) PUPCO	(SASCO) SASCO STRUT	(THOMAS & BETTS) SUPER-STRUT	(TOLCO) TOL-STRUT	(TYCO) UNI-STRUT	(UNITRON) U.S. STRUT	(VERSABAR CORP) VERSABAR	WESANCO WESTRUT
<b>Plain, Pickled, &amp; Oiled</b>										
G1341PO	1301 PL (10)	PS 500 10 PL	AS-164-BK (10)	S7P (10)	B1400 10B	N/A	P4100 10PL	UN 100-14 PL (10)	N/A	W-500 PLAIN (10)
G1342PO	1302 PL (20)	PS 500 20 PL	AS-164-BK (20)	S7P (20)	B1400 20B	N/A	P4100 20PL	UN 100-14 PL (20)	N/A	W-500 PLAIN (20)
G134H1PO	1321 PL (10)	PS 500 H 10 PL	AS-164-RS-BK (10)	S7H112P (10)	B1400H 10B	N/A	P4100 HS 10PL	UN 102-14 PL (10)	N/A	W-500 H PLAIN (10)
G134H2PO	1322 PL (20)	PS 500 H 20 PL	AS-164-RS-BK (20)	S7H112P (20)	B1400H 20B	N/A	P4100 HS 20PL	UN 102-14 PL (20)	N/A	W-500 H PLAIN (20)
G134OS1PO	1311 PL (10)	PS 500 EH 10 PL	AS-164-OS-BK (10)	S7SL2P (10)	B1400HS 10B	N/A	P4100 T 10PL	UN 104-14 PL (10)	N/A	W-500 SS PLAIN (10)
G134OS2PO	1312 PL (20)	PS 500 EH 20 PL	AS-164-OS-BK (20)	S7SL2P (20)	B1400HS 20B	N/A	P4100 T 20PL	UN 104-14 PL (20)	N/A	W-500 SS PLAIN (20)
G134LS1PO	1331 PL (10)	PS 500 S 10 PL	AS-164-SL-BK (10)	S7SL4P (10)	B1400LS 10B	N/A	P4100 SL 10PL	UN 105-14 PL (10)	N/A	W-500 SL PLAIN (10)
G134LS2PO	1332 PL (20)	PS 500 S 20 PL	AS-164-SL-BK (20)	S7SL4P (20)	B1400LS 20B	N/A	P4100 SL 20PL	UN 105-14 PL (20)	N/A	W-500 SL PLAIN (20)
G134A1PO	1301A PL (10)	PS 500 2T3 10 PL	AS-164A-BK (10)	S7BB-P (10)	B1400-2 10B	N/A	P4101 10PL	UN 100-14BB PL (10)	N/A	W-501 PLAIN (10)
G134A2PO	1302A PL (20)	PS 500 2T3 20 PL	AS-164A-BK (20)	S7BB-P (20)	B1400-2 20B	N/A	P4101 20PL	UN 100-14BB PL (20)	N/A	W-501 PLAIN (20)
G134AOS1PO	1311A PL (10)	PS 500 EH 2T3 10 PL	AS-164A-OS-BK (10)		B1400-2HS 10B	N/A	N/A	UN 104-14BB PL (10)	N/A	W-501 PLAIN (10)
G134AOS2PO	1312A PL (20)	PS 500 EH 2T3 20 PL	AS-164A-OS-BK (20)		B1400-2HS 20B	N/A	N/A	UN 104-14BB PL (20)	N/A	W-501 OS PLAIN (20)
G134KO1PO	1341 PL (10)	N/A	AS-164-KO-BK (10)	S7K06P (10)	N/A	N/A	N/A	UN 106-14 PL (10)	N/A	W-500 KO PLAIN (10)
G134KO2PO	1342 PL (20)	N/A	AS-164-KO-BK (20)	S7K06P (20)	N/A	N/A	N/A	UN 106-14 PL (20)	N/A	W-500 KO PLAIN (20)
<b>Hot-dipped Galvanized</b>										
G1341HDG	1301 HD (10)	PS 500 10 HG	AS-164-HD (10)	S7HG (10)	B1400 10HDG	N/A	P4100 10HG	UN 100-14 HDGAF (10)	N/A	W-500 HDGAF (10)
G1342HDG	1302 HD (20)	PS 500 20 HG	AS-164-HD (20)	S7HG (20)	B1400 20HDG	N/A	P4100 20HG	UN 100-14 HDGAF (20)	N/A	W-500 HDGAF (20)
G134H1HDG	1321 HD (10)	PS 500 H 10 HG	AS-164-RS-HD (10)	S7H112HG (10)	B1400H 10HDG	N/A	P4100 HS 10HG	UN 102-14 HDGAF (10)	N/A	W-500 H HDGAF (10)
G134H2HDG	1322 HD (20)	PS 500 H 20 HG	AS-164-RS-HD (20)	S7H112HG (20)	B1400H 20HDG	N/A	P4100 HS 20HG	UN 102-14 HDGAF (20)	N/A	W-500 H HDGAF (20)
G134OS1HDG	1311 HD (10)	PS 500 EH 10 HG	AS-164-OS-HD (10)	S7SL2HG (10)	B1400HS 10HDG	N/A	P4100 T 10HG	UN 104-14 HDGAF (10)	N/A	W-500 SS HDGAF (10)
G134OS2HDG	1312 HD (20)	PS 500 EH 20 HG	AS-164-OS-HD (20)	S7SL2HG (20)	B1400HS 20HDG	N/A	P4100 T 20HG	UN 104-14 HDGAF (20)	N/A	W-500 SS HDGAF (20)
G134LS1HDG	1331 HD (10)	PS 500 S 10 HG	AS-164-SL-HD (10)	S7SL4HG (10)	B1400LS 10HDG	N/A	P4100 SL 10HG	UN 105-14 HDGAF (10)	N/A	W-500 SL HDGAF (10)
G134LS2HDG	1332 HD (20)	PS 500 S 20 HG	AS-164-SL-HD (20)	S7SL4HG (20)	B1400LS 20HDG	N/A	P4100 SL 20HG	UN 105-14 HDGAF (20)	N/A	W-500 SL HDGAF (20)
G134A1HDG	1301A HD (10)	PS 500 2T3 10 HG	AS-164A-HD (10)	S7BB-HG (10)	B1400-2 10HDG	N/A	P4101 10HG	UN 100-14BB HDGAF (10)	N/A	W-501 HDGAF (10)
G134A2HDG	1302A HD (20)	PS 500 2T3 20 HG	AS-164A-HD (20)	S7BB-HG (20)	B1400-2 20HDG	N/A	P4101 20HG	UN 100-14BB HDGAF (20)	N/A	W-501 HDGAF (20)
G134AOS1HDG	1311A HD (10)	PS 500 EH 2T3 10 HG	AS-164A-OS-HD (10)		B1400-2HS 10HDG	N/A	N/A	UN 104-14BB HDGAF (10)	N/A	W-501 OS HDGAF (10)
G134AOS2HDG	1312A HD (20)	PS 500 EH 2T3 20 HG	AS-164A-OS-HD (20)		B1400-2HS 20HDG	N/A	N/A	UN 104-14BB HDGAF (20)	N/A	W-501 OS HDGAF (20)
G134KO1HDG	1341 HD (10)	N/A	AS-164-KO-HD (10)	S7K06HG (10)	N/A	N/A	N/A	UN 106-14 HDGAF (10)	N/A	W-500 KO HDGAF (10)
G134KO2HDG	1342 HD (20)	N/A	AS-164-KO-HD (20)	S7K06HG (20)	N/A	N/A	N/A	UN 106-14 HDGAF (20)	N/A	W-500 KO HDGAF (20)
<b>Stainless Steel Grade 304</b>										
G1341SS	1301 SS304 (10)	PS 500 10 SS	AS-164-SS4 (10)			N/A	N/A		VA-4 SS304(10)	N/A
G1342SS	1302 SS304 (20)	PS 500 20 SS	AS-164-SS4 (20)			N/A	N/A		VA-4 SS304(20)	N/A
G134H1SS	1321 SS304 (10)	PS 500 H 10 SS	AS-164-RS-SS4 (10)			N/A	N/A		VA-4P1.87 SS304(10)	N/A
G134H2SS	1322 SS304 (20)	PS 500 H 20 SS	AS-164-RS-SS4 (20)			N/A	N/A		VA-4P1.87 SS304(20)	N/A
G134OS1SS	1311 SS304 (10)	PS 500 EH 10 SS	AS-164-OS-SS4 (10)			N/A	N/A		VA-4PLH SS304(10)	N/A
G134OS2SS	1312 SS304 (20)	PS 500 EH 20 SS	AS-164-OS-SS4 (20)			N/A	N/A		VA-4PLH SS304(20)	N/A
G134LS1SS	1331 SS304 (10)	PS 500 S 10 SS	AS-164-SL-SS4 (10)			N/A	N/A		VA-4P3S SS304(10)	N/A
G134LS2SS	1332 SS304 (20)	PS 500 S 20 SS	AS-164-SL-SS4 (20)			N/A	N/A		VA-4P3S SS304(20)	N/A
G134A1SS	1301A SS304 (10)	PS 500 2T3 10 SS	AS-164A-SS4 (10)			N/A	N/A		VA-4201 SS304(10)	N/A
G134A2SS	1302A SS304 (20)	PS 500 2T3 20 SS	AS-164A-SS4 (20)			N/A	N/A		VA-4201 SS304(20)	N/A
G134AOS1SS	1311A SS304 (10)	PS 500 2T3 EH 10 SS	AS-164A-OS-SS4 (10)			N/A	N/A		N/A	N/A
G134AOS2SS	1312A SS304 (20)	PS 500 2T3 EH 20 SS	AS-164A-OS-SS4 (20)			N/A	N/A		N/A	N/A
G134KO1SS	1341 SS304 (10)	N/A	AS-164-KO-SS4 (10)			N/A	N/A		N/A	N/A
G134KO2SS	1342 SS304 (20)	N/A	AS-164-KO-SS4 (20)			N/A	N/A		N/A	N/A
<b>Stainless Steel Grade 316</b>										
G1341SS(316)	1301 SS304 (10)	PS 500 10 SS	AS-164-SS4 (10)			N/A	N/A		VA-4 SS304(10)	N/A
G1342SS(316)	1302 SS304 (20)	PS 500 20 SS	AS-164-SS4 (20)			N/A	N/A		VA-4 SS304(20)	N/A
G134H1SS(316)	1321 SS304 (10)	PS 500 H 10 SS	AS-164-RS-SS4 (10)			N/A	N/A		VA-4P1.87 SS304(10)	N/A
G134H2SS(316)	1322 SS304 (20)	PS 500 H 20 SS	AS-164-RS-SS4 (20)			N/A	N/A		VA-4P1.87 SS304(20)	N/A
G134OS1SS(316)	1311 SS304 (10)	PS 500 EH 10 SS	AS-164-OS-SS4 (10)			N/A	N/A		VA-4PLH SS304(10)	N/A
G134OS2SS(316)	1312 SS304 (20)	PS 500 EH 20 SS	AS-164-OS-SS4 (20)			N/A	N/A		VA-4PLH SS304(20)	N/A
G134LS1SS(316)	1331 SS304 (10)	PS 500 S 10 SS	AS-164-SL-SS4 (10)			N/A	N/A		VA-4P3S SS304(10)	N/A
G134LS2SS(316)	1332 SS304 (20)	PS 500 S 20 SS	AS-164-SL-SS4 (20)			N/A	N/A		VA-4P3S SS304(20)	N/A
G134A1SS(316)	1301A SS304 (10)	PS 500 2T3 10 SS	AS-164A-SS4 (10)			N/A	N/A		VA-4201 SS304(10)	N/A
G134A2SS(316)	1302A SS304 (20)	PS 500 2T3 20 SS	AS-164A-SS4 (20)			N/A	N/A		VA-4201 SS304(20)	N/A
G134AOS1SS(316)	1311A SS304 (10)	PS 500 2T3 EH 10 SS	AS-164A-OS-SS4 (10)			N/A	N/A		N/A	N/A
G134AOS2SS(316)	1312A SS304 (20)	PS 500 2T3 EH 20 SS	AS-164A-OS-SS4 (20)			N/A	N/A		N/A	N/A
G134KO1SS(316)	1341 SS304 (10)	N/A	AS-164-KO-SS4 (10)			N/A	N/A		N/A	N/A
G134KO2SS(316)	1342 SS304 (20)	N/A	AS-164-KO-SS4 (20)			N/A	N/A		N/A	N/A
<b>Stainless Steel Grade 316</b>										
G1341PVC	1301 SS 316 (10)	PS 500 10 SS(316)	AS-164-SS6 (10)			N/A	N/A		N/A	N/A
G1342PVC	1302 SS316 (20)	PS 500 20 SS(316)	AS-164-SS6 (20)			N/A	N/A		N/A	N/A
G134H1PVC	1321 SS316 (10)	PS 500 H 10 SS(316)	AS-164-RS-SS6 (10)			N/A	N/A		N/A	N/A
G134H2PVC	1322 SS316 (20)	PS 500 H 20 SS(316)	AS-164-RS-SS6 (20)			N/A	N/A		N/A	N/A
G134OS1PVC	1311 SS316 (10)	PS 500 EH 10 SS(316)	AS-164-OS-SS6 (10)			N/A	N/A		N/A	N/A
G134OS2PVC	1312 SS316 (20)	PS 500 EH 20 SS(316)	AS-164-OS-SS6 (20)			N/A	N/A		N/A	N/A
G134LS1PVC	1331 SS316 (10)	PS 500 S 10 SS(316)	AS-164-SL-SS6 (10)			N/A	N/A		N/A	N/A
G134LS2PVC	1332 SS316 (20)	PS 500 S 20 SS(316)	AS-164-SL-SS6 (20)			N/A	N/A		N/A	N/A
G134A1PVC	1301A SS316 (10)	PS 500 2T3 10 SS(316)	AS-164A-SS6 (10)			N/A	N/A		N/A	N/A
G134A2PVC	1302A SS316 (20)	PS 500 2T3 20 SS(316)	AS-164A-SS6 (20)			N/A	N/A		N/A	N/A
G134AOS1PVC	1311A SS316 (10)	PS 500 EH 2T3 10 SS(316)	AS-164A-OS-SS6 (10)			N/A	N/A		N/A	N/A
G134AOS2PVC	1312A SS316 (20)	PS 500 EH 2T3 20 SS(316)	AS-164A-OS-SS6 (20)			N/A	N/A		N/A	N/A
G134KO1PVC	1341 SS316 (10)	N/A	AS-164-KO-SS6 (10)			N/A	N/A		N/A	N/A
G134KO2PVC	1342 SS316 (20)	N/A	AS-164-KO-SS6 (20)			N/A	N/A		N/A	N/A

CROSS REFERENCE



(GREGORY) G-STRUT	(ANVIL INTERNATIONAL) ANVIL STRUT	(COOPER) B-LINE	(CULLY) MINERALLAC	(ELITE) ELITE COMPONENTS	(ERICO) ERI-STRUT	(FLEX STRUT) FLEX STRUT	(FLORIDA STRUT) FLORIDA STRUT	(GS METALS) GLOBE STRUT	(HAYDON) H-STRUT
<b>CHANNEL NUTS-NO SPRING</b>									
GN800	AS NS EG 1/4" X 20	N224WO	N/A	9SNUT025G	NUT0008EG	FS-1/4NS	CNN20025EG	G-1132	N-800
GN801	AS NS EG 3/8" X 16	N228WO	N/A	9SNUT037G	NUT0037EG	FS-3/8NS	CNN30037EG	G-1134	N-801
GN802	AS NS EG 1/2" X 13	N525WO	N/A	9SNUT050G	N/A	FS-1/2NSS	CNN30050EG	G-1335	N-802
GN803	AS NS S EG 1/2" X 13	N225WO	N/A	N/A	NUT0050EG	FS-1/2NS	CNN40050EG	G-1135	N-803
GN804	AS NS EG 5/8" X 11	**N255WO (5/8X11X1/2)	N/A	N/A	N/A	FS-5/8NS	**CNN40062EG (5/8 X 11 X 1/2)	G-1136	N-804
GN805	AS NS EG 3/4" X 10	**N275WO (3/4X10X1/2)	N/A	N/A	N/A	FS-3/4NS	**CNN40075EG (3/4 X 10 X 1/2)	G-1137	N-805
GN806	AS NS S EG 5/8 X 11	N555WO	N/A	9SNUT062G	N/A	FS-5/8NSS	CNN30062EG	G-1336	N-806
GN807	AS NS S EG 3/4 X 10	N575WO	N/A	9SNUT075G	N/A	N/A	CNN30075EG	G-1337	N-807
GN808	AS NS EG 5/16 X 18	**N223WO (5/16X18X1/4)	N/A	N/A	NUT0031EG	FS-5/16NS	CNN30031EG	G-1133	N-808
GN809	N/A	**N278WO (7/8X9X1/2)	N/A	N/A	NUT0087EG	N/A	**CNN40087EG (7/8 X 9 X 1/2)	N/A	N-809
<b>CHANNEL NUTS-SHORT SPRING</b>									
GN811	AS SS EG 3/8" X 16	N528	N/A	9SSP2037G	SPRC0037EG	FS-3/8SS	CNS30037EG	G-1234	N-811
GN812	AS SS EG 1/2" X 13	N525	N/A	9SSP2050G	SPRC0050EG	FS-1/2SS	CNS30050EG	G-1235	N-812
GN814	AS SS EG 5/8" X 11	N555	N/A	N/A	SPRC0062EG	FS-5/8SS	CNS30062EG	G-1236	N-814
GN815	N/A	N575	N/A	N/A	SPRC0075EG	N/A	N/A	G-1237	N-815
GN818	AS SS EG 5/16" X 18	**N523 (5/16X18X1/4)	N/A	N/A	SPRC0031EG	FS-5/16SS	CNS30031EG	G-1233	N-818
<b>CHANNEL NUTS-REGULAR SPRING</b>									
GN820	AS RS EG 1/4" X 20	N224	N/A	9SSP1025G	SPRA0025EG	FS-1/4RS	CNR20025EG	G-1032	N-820
GN821	AS RS EG 3/8" X 16	N228	N/A	9SSP1037G	SPRA0037EG	FS-3/8RS	CNR30037EG	G-1034	N-821
GN822	AS RS EG 1/2" X 13	N/A	N/A	N/A	N/A	N/A	CNR30050EG	G-1035	N-822
GN823	N/A	**N225 (1/2X13X1/2)	N/A	9SSP1050G	SPRA0050EG	FS-1/2RS	CNR40050EG	N/A	N-823
GN824	AS RS EG 5/8" X 11	**N255 (5/8 X 11 X 1/2)	N/A	N/A	SPRA0062EG	FS-5/8RS	**CNR40062EG (5/8 X 11 X 1/2)	G-1036	N-824
GN825	AS RS EG 3/4 X 10	**N275 (3/4 X 10 X 1/2)	N/A	N/A	SPRA0075EG	FS-3/4RS	**CNR40075EG (3/4 X 10 X 1/2)	G-1037	N-825
GN828	AS RS EG 5/16 X 18	**N223 (5/16 X 18 X 1/4)	N/A	N/A	SPRA0031EG	FS-5/16RS	CNR30031EG	G-1033	N-828
GN829	AS RS EG 7/8 X 9	**N278 (7/8 X 9 X 1/2)	N/A	N/A	SPRA0087EG	FS-7/8RS	**CNR40087EG (7/8 X 9 X 1/2)	N/A	N-829
<b>CHANNEL NUTS-LONG SPRING</b>									
GN830	AS LS EG 1/4" X 20	N724	N/A	N/A	SPRD0025RG	FS-1/4LS	CNL20025EG	G-1432	N-830
GN831	AS LS EG 3/8" X 16	N728	N/A	N/A	SPRD0037EG	FS-3/8LS	CNL30037EG	G-1434	N-831
GN832	AS LS EG 1/2" X 13	N/A	N/A	N/A	SPRD0050EG	N/A	N/A	G-1435	N-832
GN833	N/A	N725	N/A	N/A	N/A	FS-1/2LS	CNL40050EG	N/A	N-833
GN834	AS LS EG 5/8" X 11	**N755 (5/8 - 11 X 1/2)	N/A	N/A	SPRD0062EG	FS-5/8LS	N/A	G-1436	N-834
GN835	AS LS EG 3/4" X 10	**N775 (3/4 - 10 X 1/2)	N/A	N/A	SPRD0075EG	FS-3/4LS	N/A	G-1437	N-835
GN838	N/A	**N723 (5/16 X 18 X 1/4)	N/A	N/A	N/A	N/A	N/A	N/A	N-838
<b>TOP SPRING NUT</b>									
GTSN800	AS TG EG 1/4" X 20	TN224	N/A	9SSPT025G	TSNT0002EG	FS-1/4TG	CNT20025EG	G-1032E	TSN-800
GTSN801	AS TG EG 3/8" X 16	TN228	N/A	9SSPT037G	TSNT0037EG	FS-3/8TG	CNT30037EG	G-1034E	TSN-801
GTSN802	AS TG EG 1/2" X 13	TN525	N/A	N/A	TSNT0050EG	FS-1/2TGS	CNT30050EG	G-1035E	TSN-802
GTSN808	N/A	**TN223 (5/16 - 18 X 1/4)	N/A	N/A	N/A	FS-5/16TG	N/A	G-1033E	TSN-808
<b>HEX HEAD CAP SCREWS</b>									
GHH25050	N/A	1/4 X 1/2 HHCS	55650	N/A	N/A	FS-7400	N/A	N/A	HEX HEAD 1/4 X 1/2
GHH25075	AS 6024 EG 1/4" X 3/4"	1/4 X 3/4 HHCS	55653	N/A	N/A	FS-7401	HCS2507EG	G-1806	HEX HEAD 1/4 X 3/4
GHH25100	AS 6024 EG 1/4" X 1	1/4 X 1 HHCS	55656	N/A	N/A	FS-7402	HCS2510EG	G-1807	HEX HEAD 1/4 X 1
GHH375075	AS 6024 EG 3/8" X 3/4"	3/8 X 3/4 HHCS	55953	N/A	HSCR3707EG	FS-7403	HCS3707EG	G-1808	HEX HEAD 3/8 X 3/4
GHH375100	AS 6024 EG 3/8" X 1"	3/8 X 1 HHCS	55956	N/A	HSCR3710EG	FS-7404	HCS3710EG	G-1809	HEX HEAD 3/8 X 1
GHH375125	AS 6024 EG 3/8" X 1 1/4"	3/8 X 1 1/4 HHCS	55959	N/A	HSCR3712EG	FS-7405	HCS3712EG	G-1810	HEX HEAD 3/8 X 1-1/4
GHH375150	AS 6024 EG 3/8" X 1 1/2"	3/8 X 1 1/2 HHCS	55962	N/A	HSCR3715EG	FS-7406	HCS3715EG	G-1811	HEX HEAD 3/8 X 1-1/2
GHH375200	AS 6024 EG 3/8" X 2"	3/8 X 2 HHCS	55965	N/A	HSCR3720EG	FS-7407	HCS3720EG	G-1812	HEX HEAD 3/8 X 2
GHH375225	N/A	3/8 X 2 1/4 HHCS	N/A	N/A	HSCR5010EG	FS-7408	N/A	G-1813	N/A
GHH50100	AS 6024 EG 1/2" X 1"	1/2 X 1 HHCS	55977	N/A	HSCR5010EG	FS-7409	HCS5010EG	G-1814	N/A
GHH50125	AS 6024 EG 1/2" X 1 1/4"	1/2 X 1 1/4 HHCS	55980	N/A	HSCR5012EG	FS-7410	HCS5012EG	G-1815	N/A
GHH50150	AS 6024 EG 1/2" X 1 1/2"	1/2 X 1 1/2 HHCS	55983	N/A	HSCR5015EG	FS-7411	HCS5015EG	G-1816	N/A
GHH50175	AS 6024 EG 1/2" X 1 3/4"	1/2 X 1 3/4 HHCS	N/A	N/A	N/A	FS-7412	HCS5017EG	G-1817	N/A
GHH50200	AS 6024 EG 1/2" X 2"	1/2 X 2 HHCS	55986	N/A	HSCR5020EG	FS-7413	HCS5020EG	G-1818	N/A
GHH50225	N/A	N/A	N/A	N/A	N/A	FS-7414	N/A	G-1819	N/A
GHH50250	N/A	1/2 X 2 1/2 HHCS	55989	N/A	N/A	FS-7415	N/A	G-1820	N/A
<b>LOCK WASHERS</b>									
GLW025	AS 211 EG 1/4"	1/4 LW ZN	40525	N/A	N/A	FS-7430	N/A	G-1881	LOCK WASHER 1/4
GLW375	AS 211 EG 3/8"	3/8 LW ZN	40535	N/A	F11000EG	FS-7431	N/A	G-1883	LOCK WASHER 3/8
GLW050	AS 211 EG 1/2"	1/2 LW ZN	40540	N/A	F12000EG	FS-7432	N/A	G-1884	LOCK WASHER 1/2
<b>FLAT WASHERS</b>									
GFW025	AS 209 EG 1/4"	1/4 FW ZN	40325-6	N/A	0110025EG	FS-7440	FW 0025EG	G-1874	FLAT WASHER 1/4
GFW375	AS 209 EG 3/8"	3/8 FW ZN	40335-6	N/A	0110037EG	FS-7441	FW 0037EG	G-1876	FLAT WASHER 3/8
GFW050	AS 209 EG 1/2"	1/2 FW ZN	40340-6	N/A	0110050EG	FS-7442	FW 0050EG	G-1877	FLAT WASHER 1/2
<b>FENDER WASHERS</b>									
GFDW025	AS 230 EG 1/4"	1/4 X 1 1/4 FFW ZN	40720	N/A	0120025EG	FS-7450	N/A	FFW-1/4	N/A
GFDW037	AS 230 EG 3/8"	3/8 X 1 1/4 FFW ZN	40741	N/A	0120037EG	FS-7451	N/A	FFW-3/8	N/A
GFDW050	AS 230 EG 1/2"	1/2 X 2 FFW ZN	40750	N/A	0120050EG	FS-7452	N/A	FFW-1/2	N/A
<b>HEX NUTS</b>									
GHN025	AS 83 EG 1/4"	1/4 HN ZN	40125	N/A	0100025EG	FS-7460	HN 0025EG	G-1842	HEX NUT 1/4
GHN3125	N/A	5/16 HN ZN	40130	N/A	N/A	FS-7461	N/A	G-1843	HEX NUT 5/16
GHN375	AS 83 EG 3/8"	3/8 HN ZN	40135	N/A	0100037EG	FS-7462	HN 0037EG	G-1844	HEX NUT 3/8
GHN050	AS 83 EG 1/2"	1/2 HN ZN	40140	N/A	0100050EG	FS-7463	HN 0050EG	G-1845	HEX NUT 1/2

CROSS REFERENCE

(GREGORY) G-STRUT	(PHD MFG) PHD STRUT	(TYCO / ALLIED) POWER-STRUT	(POWER-UTILITY PRODUCTS) PUPCO	(SASCO) SASCO STRUT	(THOMAS & BETTS) SUPER-STRUT	(TOLCO) TOL-STRUT	(TYCO) UNI-STRUT	(UNITRON) U.S. STRUT	(VERSABAR CORP) VERSABAR	WESANCO WESTRUT
<b>CHANNEL NUTS-NO SPRING</b>										
GN800	3004	PS NS 1/4	CN-NS 1/4 PG	S14W	AB-100 1/4 EG	NUT 1/4	P3006-1420 EG	USN100	VN-1025	W-2-4WS
GN801	3006	PS NS 3/8	CN-NS 3/8 PG	S38W	AB-100-3/8 EG	NUT 3/8	P3008 EG	USN102	VN-1037	W-2-6WS
GN802	N/A	PS NS 1/2	CN-NS 1/2-13 X 3/8 PG	S12W	AB-100-1/2 EG	NUT 1/2	P3013 EG	USN103	VN-4050	W-5-8WS
GN803	3008	N/A	CN-NS 1/2-13 X 1/2 PG	N/A	N/A	N/A	P3010 EG	N/A	VN-1050	W-2-8WS
GN804	N/A	N/A	**CN-NS 5/8 X 11 X 7/16 (5/8 X 11 X 1/2) PG	N/A	AB-100-5/8 EG	NUT 5/8	P1012 EG	USN104	VN-1062	W-2-10WS
GN805	N/A	N/A	**CN-NS 3/4 X 10 X 7/16 (3/4 X 10 X 3/8) PG	N/A	AB-100-3/4 EG	NUT 3/4	P1023 EG	USN105	VN-1075	W-2-12WS
GN806	**3009 (5/8 X 1/2)	PS NS 5/8	CN-NS 5/8-11 X 3/8 PG	S58W	N/A	N/A	P4012 EG	N/A	VN-4062	W-5-10WS
GN807	**3010 (3/4 X 1/2)	PS NS 3/4	CN-NS 3/4-10 X 3/8 PG	S34W	N/A	N/A	P4023 EG	N/A	VN-4075	N/A
GN808	**3005 (5/16 X 1/4)	PS NS 5/16	CN-NS 15/16-18 X 3/8 PG	S516W	AB-100-5/16 EG	N/A	P3007 EG	USN101	VN-1031	W-2-5WS
GN809	**3011 (7/8 X 1/2)	PS NS 7/8	**CN-NS 7/8 X 9 X 7/8 (7/8 X 9 X 1/2) PG	S78W	N/A	NUT 7/8	P1024 EG	N/A	N/A	N/A
<b>CHANNEL NUTS-SHORT SPRING</b>										
GN810	3204	PS SS 1/4	CN-SS-1/4-20 X 1/4 PG	S14S	B-100-1/4 EG	SPRC 1/4	P4006-1420 EG	USN200	VSN-4025	W-5-4
GN811	3206	PS SS 3/8	CN-SS-3/8-16 X 3/8 PG	S38S	B-100-3/8 EG	SPRC 3/8	P4008 EG	USN202	VSN-4037	W-5-6
GN812	3208	PS SS 1/2	CN-SS-1/2-13 X 3/8 PG	S12S	B-100-1/2 EG	SPRC 1/2	P4010 EG	USN203	VSN-4050	W-5-8
GN814	3209	PS SS 5/8	CN-SS-5/8-11 X 3/8 PG	S58S	B-100-5/8 EG	SPRC 5/8	P4012-S EG	USN204	VSN-4062	W-5-10
GN815	3210	PS SS 3/4	N/A	S34S	N/A	SPRC 3/4	P4023-S EG	N/A	VSN-4075	N/A
GN818	3205	PS SS 5/16	CN-SS-5/16- 16 X 3/8 PG	S516S	B-100-5/16 EG	N/A	P4007 EG	USN201	VSN-4031	W-5-5
<b>CHANNEL NUTS-REGULAR SPRING</b>										
GN820	3104	PS RS 1/4	CN-RS-1/4-20 X 1/4 PG	S14	A-100-1/4 EG	SPRA 1/4	P1006-1420 EG	USN300	VSN-1025	W-2-4
GN821	3106	PS RS 3/8	CN-RS-3/8- 16 X 3/8 PG	S38	A-100-3/8 EG	SPRA 3/8	P1008 EG	USN302	VSN-1037	W-2-6
GN822	N/A	PS RS 1/2	CN-RS-1/2-13 X 3/8 PG	S12	N/A	SPRA 1/2 ?	N/A	N/A	N/A	N/A
GN823	3108	N/A	CN-RS-1/2-13 X 1/2 PG	N/A	A-100-1/2 EG	N/A	P1010 EG	USN303	VSN-1050	W-2-8
GN824	3109	PS RS 5/8	**CN-RS 5/8 X 11 X 7/16 (5/8 X 11 X 1/2) PG	S58	A-100-5/8 EG	SPRA 5/8	P1012-S EG	N/A	VSN-1062	W-2-10
GN825	3110	PS RS 3/4	**CN-RS 3/4 X 10 X 7/16 (3/4 X 10 X 1/2) PG	S34	A-100-3/4 EG	SPRA 3/4	P1023-S EG	N/A	VSN-1075	W-2-12
GN828	3105	PS RS 5/16	CN-RS-5/16-18 X 3/8 PG	S516	A-100-5/16 EG	N/A	P1007 EG	USN301	VSN-1031	W-2-5
GN829	3111	PS RS 7/8	**CN-RS 7/8 X 9 X 7/16 (7/8 X 9 X 1/2) PG	S78	A-100-7/8 EG	SPRA 7/8	P1024-S EG	N/A	N/A	W-2-14
<b>CHANNEL NUTS-LONG SPRING</b>										
GN830	3304	PS LS 1/4	CN-LS-1/4-20 X 1/4 PG	N/A	H-100-1/4 EG	SPRD 1/4	P5506-1420 EG	USN400	VSN-3025	W-1-4
GN831	3306	PS LS 3/8	CN-LS-3/8-16 X 3/8 PG	N/A	H-100-3/8 EG	SPRD 3/8	P5508 EG	USN401	VSN-3037	W-1-6
GN832	N/A	PS LS 1/2	N/A	N/A	N/A	SPRD 1/2	N/A	N/A	N/A	N/A
GN833	3308	N/A	CN-LS-1/2-13 X 1/2 PG	N/A	H-100-1/2 EG	N/A	P5510 EG	USN402	VSN-3050	W-1-8
GN834	3309	PS LS 5/8	N/A	N/A	H-100-5/8 EG	SPRD 5/8	N/A	N/A	VSN-3062	W-1-10
GN835	3310	PS LS 3/4	N/A	N/A	N/A	SPRD 3/4	N/A	N/A	VSN-3075	W-1-12
GN838	3305	N/A	N/A	N/A	N/A	N/A	P5507	N/A	VSN-3031	N/A
<b>TOP SPRING NUT</b>										
GTSN800	3404	PS TG 1/4	CN-TG-1/4-20 X 1/4 PG	N/A	N/A	TSN 1/4	P1006T1420	USN100-TG	VSN-1025-TMS	W-2-4TL
GTSN801	3406	PS TG 3/8	CN-TG-3/8-16 X 3/8 PG	N/A	N/A	TSN 3/8	P1008T	USN102-TG	VSN-1037-TMS	W-2-6TL
GTSN802	3408	PS TG 1/2	CN-TG-1/2-13 X 3/8 PG	N/A	N/A	TSN 1/2	P1010T	USN103-TG	N/A	W-5-8TL
GTSN808	N/A	N/A	N/A	N/A	N/A	N/A	N/A	N/A	VSN-1031-TMS	W-2-5TL
<b>HEX HEAD CAP SCREWS</b>										
GHH25050	N/A	N/A	N/A	N/A	N/A	N/A	HHCS025044EG	UHH250-075	N/A	W-7400
GHH25075	N/A	PS 6024 1/4 X 3/4	HD-HHCS-1/4 X 3/4 PG	N/A	N/A	N/A	HHCS025075EG	N/A	HEX SCREW 1/4 X 3/4	W-7401
GHH25100	N/A	PS 6024 1/4 X 1	HD-HHCS-1/4 X 1 PG	N/A	E-142-1/4 X 1 EG	N/A	N/A	N/A	N/A	W-7402
GHH375075	N/A	PS 6024 3/8 X 3/4	HD-HHCS-3/8 X 3/4 PG	N/A	N/A	N/A	HHCS037075EG	N/A	HEX SCREW 3/8 X 3/4	W-7403
GHH375100	N/A	PS 6024 3/8 X 1	HD-HHCS-3/8 X 1 PG	N/A	E-142-3/8 X 1 EG	N/A	HHCS037100EG	UHH375-100	HEX SCREW 3/8 X 1	W-7404
GHH375125	N/A	PS 6024 3/8 X 1 1/4	HD-HHCS-3/8 X 1-1/4 PG	N/A	N/A	N/A	HHCS037125EG	UHH375-125	HEX SCREW 3/8 X 1-1/4	W-7405
GHH375150	N/A	PS 6024 3/8 X 1 1/2	HD-HHCS-3/8- 1-1/2 PG	N/A	E-142-3/8 X 1-1/2 EG	N/A	HHCS037150EG	N/A	HEX SCREW 3/8 X 1-1/2	W-7406
GHH375200	N/A	PS 6024 3/8 X 2	HD-HHCS-3/8 X 2 PG	N/A	N/A	N/A	HHCS037200EG	N/A	HEX SCREW 3/8 X 2	W-7407
GHH375225	N/A	N/A	N/A	N/A	N/A	N/A	HHCS037225EG	N/A	HEX SCREW 3/8 X 2-1/4	W-7408
GHH50100	N/A	PS 6024 1/2 X 1	HD-HHCS-1/2 X 1 PG	N/A	N/A	N/A	HHCS050094EG	N/A	N/A	N/A
GHH50125	N/A	PS 6024 1/2 X 1 1/4	HD-HHCS-1/2 X 1-1/4 PG	N/A	N/A	N/A	HHCS050119EG	UHH500-125	N/A	W-7410
GHH50150	N/A	PS 6024 1/2 X 1 1/2	HD-HHCS-1/2 X 1-1/2 PG	N/A	E142 1/2 X 1-1/2 EG	N/A	HHCS050150EG	UHH500-150	HEX SCREW 1/2 X 1-1/2	W-7411
GHH50175	N/A	PS 6024 1/2 X 1 3/4	HD-HHCS-1/2 X 1-3/4 PG	N/A	N/A	N/A	HHCS050175EG	N/A	HEX SCREW 1/2 X 1-3/4	W-7412
GHH50200	FIG. 41 2 X 1/2 PG	PS 6024 1/2 X 2	HD-HHCS-1/2 X 2 PG	N/A	N/A	N/A	HHCS050200EG	N/A	HEX SCREW 1/2 X 2	W-7413
GHH50225	FIG. 41 2-1/4 X 1/2 PG	N/A	N/A	N/A	N/A	N/A	HHCS050225EG	N/A	HEX SCREW 1/2 X 2-1/4	W-7414
GHH50250	FIG. 41 2-1/2 X 1/2 PG	N/A	N/A	N/A	N/A	N/A	HHCS050250EG	N/A	HEX SCREW 1/2 X 2-1/2	W-7415
<b>LOCK WASHERS</b>										
GLW025	N/A	PS 211 1/4	HG-FIG52L-1/4 PG	N/A	E-148-1/4 EG	N/A	HLKW025EG	N/A	N/A	W-7430
GLW375	FIG.134 3/8 PG	PS 211 3/8	HG-FIG52L-3/8 PG	N/A	E-148-3/8 EG	N/A	HLKW037EG	N/A	LOCK WASHER 3/8	W-7431
GLW050	FIG.134 1/2 PG	PS 211 1/2	HG-FIG52L-1/2 PG	N/A	E-148-1/2 EG	N/A	HLKW050EG	N/A	LOCK WASHER 1/2	W-7432
<b>FLAT WASHERS</b>										
GFW025	FIG.130 1/4 PG	PS 209 1/4	HD-FW-1/4 PG	N/A	E-147-1/4 EG	N/A	HFLW025EG	N/A	FLAT WASHER 1/4	W-7440
GFW375	FIG.130 3/8 PG	PS 209 3/8	HD-FW-3/8 PG	N/A	E-147-3/8 EG	N/A	HFLW037EG	N/A	FLAT WASHER 3/8	W-7441
GFW050	FIG.130 1/2 PG	PS 209 1/2	HD-FW-1/2 PG	N/A	E-147-1/2 EG	N/A	HFLW050EG	N/A	FLAT WASHER 1/2	W-7442
<b>FENDER WASHERS</b>										
GFDW025	N/A	PS 230 1/4	HG-FIG52R-1/4 PG	N/A	EF-147-1/4 EG	N/A	N/A	N/A	FEN-25	W-7450
GFDW037	FIG.136 3/8 PG	PS 230 3/8	HG-FIG52R-3/8 PG	N/A	EF-147-3/8 EG	N/A	N/A	N/A	FEN-37	W-7451
GFDW050	FIG.136 1/2 PG	PS 230 1/2	HG-FIG52R-1/2 PG	N/A	N/A	N/A	N/A	N/A	FEN-50	W-7452
<b>HEX NUTS</b>										
GHN025	FIG.110 1/4 PG	PS 83 1/4	HD-HN-1/4 PG	N/A	E-145 1/4 EG	39516- 1/4	HHXN025EG	UHN250	HEX NUTS 1/4	W-7460
GHN3125	FIG.110 5/16 PG	N/A	N/A	N/A	N/A	39516 - 5/16	HHXN031EG	N/A	HEX NUTS 5/16	W-7461
GHN375	FIG.110 3/8 PG	PS 83 3/8	HD-HN-3/8 PG	N/A	E-145 3/8 EG	39516 - 3/8	HHXN037EG	UHN375	HEX NUTS 3/8	W-7462
GHN050	FIG.110 1/2 PG	PS 83 1/2	HD-HN-1/2 PG	N/A	E-145 1/2 EG	40125-6 - 1/2	HHXN050EG	UHN500	HEX NUTS 1/2	W-7463

CROSS  
REFERENCE

(GREGORY) G-STRUT	(ANVIL INTERNATIONAL) ANVIL STRUT	(COOPER) B-LINE	(CULLY) MINERALLAC	(ELITE) ELITE COMPONENTS	(ERICO) ERI-STRUT	(FLEX STRUT) FLEX STRUT	(FLORIDA STRUT) FLORIDA STRUT	(GS METALS) GLOBE STRUT	(HAYDON) H-STRUT
<b>FLAT HEAD MACHINE SCREWS</b>									
GFH062	N/A	1/4 X 5/8 SFHMS ZN	N/A	N/A	N/A	FS-7420	N/A	G-1827	N/A
GFH100	N/A	5/16 X 1 SFHMS ZN	N/A	N/A	N/A	FS-7421	N/A	G-1828	FLAT HEAD SCREW 5/16 X 1
GFH200	N/A	3/8 X 2 SFHMS ZN	N/A	N/A	N/A	FS-7422	N/A	G-1829	FLAT HEAD SCREW 3/8 X 2
GFH225	N/A	3/8 X 2 1/4 SFHMS ZN	N/A	N/A	N/A	FS-7423	N/A	N/A	FLAT HEAD SCREW 3/8 X 2-1/4
GFH250	N/A	3/8 X 2 1/2 SFHMS ZN	N/A	N/A	N/A	FS-7424	N/A	N/A	FLAT HEAD SCREW 3/8 X 2-1/2
<b>ROUND HEAD MACHINE SCREWS</b>									
GRH1075	N/A	1/4 X 3/4 SRHMS ZN	53012	N/A	N/A	FS-7471A	N/A	G-1834	ROUND HEAD SCREW 1/4 X 3/4
GRH1100	N/A	1/4 X 1 SRHMS ZN	53016	N/A	N/A	FS-7471	N/A	G-1835	ROUND HEAD SCREW 1/4 X 1
GRH1125	N/A	1/4 X 1-1/4 SRHMS ZN	53020	N/A	N/A	FS-7472	N/A	N/A	ROUND HEAD SCREW 1/4 X 1-1/4
GRH2100	N/A	5/16 X 1 SRHMS ZN	N/A	N/A	N/A	FS-7473	N/A	N/A	ROUND HEAD SCREW 5/16 X 1
GRH2125	N/A	5/16 X 1-1/4 SRHMS ZN	N/A	N/A	N/A	FS-7474	N/A	N/A	ROUND HEAD SCREW 5/16 X 1-1/4
GRH1150	N/A	5/16 X 1-1/2 SRHMS ZN	N/A	N/A	N/A	FS-7475	N/A	N/A	N/A
GRH3100	N/A	3/8 X 1 SRHMS ZN	53216	N/A	N/A	FS-7476	N/A	G-1836	N/A
GRH1025	N/A	3/8 X 1-1/4 SRHMS ZN	53220	N/A	N/A	FS-7477	N/A	G-1837	N/A
GRH2150	N/A	3/8 X 1-1/2 SRHMS ZN	53224	N/A	N/A	FS-7478	N/A	G-1838	N/A
GRH1250	N/A	3/8 X 2-1/2 SRHMS ZN	N/A	N/A	N/A	FS-7479	N/A	N/A	N/A
<b>SQUARE NUTS</b>									
GSN025	AS 6108 EG 1/4"	N/A	N/A	N/A	SQNT0025EG	FS-7480	N/A	G-1852	SQUARE NUTS 1/4
GSN3125	AS 6108 EG 5/16"	N/A	N/A	N/A	N/A	FS-7481	N/A	G-1853	SQUARE NUTS 5/16
GSN375	AS 6108 EG 3/8"	N/A	N/A	N/A	SQNT0037EG	FS-7482	N/A	G-1854	SQUARE NUTS 3/8
GSN050	AS 6108 EG 1/2"	1/2 SQN ZN	N/A	N/A	SQNT0050EG	FS-7483	N/A	G-1855	SQUARE NUTS 1/2
<b>ALL-THREAD ROD</b>									
GAT025		ATR 1/4 ZN	59703	ATRO25 (6, 10 or 12Z)	0502510EG	FS-7124	N/A	G-1905	THREADED ROD 1/4
GAT037		ATR 3/8 ZN	59706	ATRO37 (6, 10 or 12Z)	0503710EG	FS-7125	N/A	G-1908	THREADED ROD 3/8
GAT050		ATR 1/2 ZN	59708	ATRO50 (6, 10 or 12Z)	0505010EG	FS-7126	N/A	G-1911	THREADED ROD 1/2
GAT062		ATR 5/8 ZN	59710	ATRO62 (6, 10 or 12Z)	0506210EG	FS-7127	N/A	G-1914	THREADED ROD 5/8
GAT075		ATR 3/4 ZN	N/A	ATRO75 (6, 10 or 12Z)	0507510EG	FS-7128	N/A	G-1915	THREADED ROD 3/4
<b>ROD COUPLERS</b>									
GRC025		B655-1/4 ZN	59604	N/A	0250025EG	FS-7134	RC0025EG	G-1859	ROD COUPLER 1/4
GRC037		B655-3/8 ZN	N/A	N/A	0250037EG	FS-7135	RC0037EG	G-1860	ROD COUPLER 3/8
GRC050		B655-1/2 ZN	59608	N/A	0250050EG	FS-7136	RC0050EG	G-1861	ROD COUPLER 1/2
GRC062		B655-5/8 ZN	N/A	N/A	0250062EG	FS-7137	N/A	G-1862	ROD COUPLER 5/8
GRC075		B655-3/4 ZN	N/A	N/A	0250075EG	FS-7138	N/A	G-1863	ROD COUPLER 3/4
<b>SQUARE WASHER (1 5/8" x 1 5/8")</b>									
G201025	AS 619 EG 1/4"	N/A	N/A	N/A	N/A	FS-5003-1/4	F10 0025EG	G-2003	N/A
G201037	AS 619 EG 3/8"	B200 ZN	N/A	NCW 9SCWS037G	F140000EG	FS-5003-3/8	F11 0037EG	G-2004	F-201 3/8
G201050	AS 619 EG 1/2"	N/A	N/A	NCW 9SCWS050G	F150000EG	FS-5003-1/2	F12 0050EG	G-2005	F-201-1/2
G201062	AS 619 EG 5/8"	N/A	N/A	NCW 9SCWS062G	F160000EG	FS-5003-5/8	F13 0062EG	G-2006	F-201-5/8
G201075	AS 619 EG 3/4"	N/A	N/A	NCW 9SCWS075G	F170000EG	FS-5003-3/4	F14 0075EG	N/AN	F-201-3/4
<b>NO TURN SQUARE WASHER</b>									
G202025	AS 2504 EG 1/4"	N/A	N/A	N/A	N/A	FS-5004-1/4	F20 0025EG	N/A	F-201-IN-1/4"
G202037	AS 2504 EG 3/8"	B200D ZN	N/A	9SCWN037G	F110000EG	FS-5004-3/8	F21 0037EG	N/A	F-201-IN-3/8"
G202050	AS 2504 EG 1/2"	N/A	N/A	9SCWN050G	F120000EG	FS-5004-1/2	F22 0050EG	N/A	F-201-IN-1/2"
G202062	N/A	N/A	N/A	9SCWN062G	F120062EG	FS-5004-5/8	F23 0062EG	N/A	N/A
G202075	N/A	N/A	N/A	9SCWN075G	F120075EG	FS-5004-3/4	F24 0075EG	N/A	N/A
<b>2-HOLE FLAT PLATE CONNECTOR</b>									
G2031	N/A	B528 ZN	N/A	N/A	N/A	N/A	N/A	N/A	F-202
G2032	AS 620 EG	N/A	N/A	N/A	N/A	FS-5007	F30 0000EG	N/A	F-203
G2033	N/A	B340 ZN	N/A	9SPSP325G	F220000EG	N/A	F34 0000EG	G-2011	F-204
<b>4-HOLE SPLICE PLATE</b>									
G205	AS 888 EG	B341 ZN	N/A	9SPSP725G	F230000EG	FS-5009	F32 0000EG	G-2023	F-205
G2051	N/A	B504 ZN	N/A	N/A	N/A	FS-5025	F35 0000EG	N/A	N/A
<b>3-HOLE SPLICE PLATE</b>									
G206	AS 602 EG	B141 ZN	N/A	9SPSP537G	F200000EG	FS-5008	F31 0000EG	G-2017	F-206-2
G2061	N/A	B557 ZN	N/A	N/A	N/A	N/A	N/A	N/A	F-206-1
<b>3-HOLE SWIVEL</b>									
G207	AS 617 EG ?	N/A	N/A	N/A	N/A	FS-5012	N/A	**G-2032 (3-5/8 X 6-3/8)	F-207
<b>2-HOLE SWIVEL</b>									
G2071	N/A	N/A	N/A	N/A	N/A	FS-5011	**F40 0000EG (5-1/4 X 3-3/4)	G-2029	N/A
<b>5-HOLE SPLICE PLATE</b>									
G208	N/A	B342 ZN	N/A	N/A	N/A	FS-5010	F33 0000EG	N/A	N/A
<b>3-HOLE FLAT ANGLE PLATE</b>									
G210	AS 718 EG	B140 ZN	N/A	9SPHT350350G	F360000EG	FS-5021	F50 0000EG	G-2037	F-210
<b>3-HOLE CORNER CONNECTOR</b>									
G211	AS 744 EG	B135 ZN	N/A	N/A	N/A	FS-5019	F52 0000EG	N/A	F-211
<b>3-HOLE CONNECTOR PLATE</b>									
G212	AS 925 EG	B337 ZN	N/A	N/A	N/A	N/A	F61 0000EG	G-2053	F-212
<b>4-HOLE TEE PLATE</b>									
G213	AS 714 EG	B133 ZN	N/A	9SPG537350G	F250000EG	FS-5022	F60 0000EG	G-2042	F-213
<b>4-HOLE CORNER JOINER PLATE</b>									
G214	AS 719 EG	B143 ZN	N/A	9SPHT537350G	F370000EG	FS-5020	F51 0000EG	G-2038	F-214
<b>5-HOLE CROSS PLATE</b>									
G216	AS 712 EG	B132 ZN	N/A	N/A	N/A	FS-5023	F70 0000EG	G-2047	F-216
<b>4-HOLE CONNECTOR</b>									
G217	AS 747 EG	B136 ZN	N/A	N/A	N/A	FS-5026	F62 0000EG	G-2052	F-217

(GREGORY) G-STRUT	(PHD MFG) PHD STRUT	(TYCO / ALLIED) POWER-STRUT	(POWER-UTILITY PRODUCTS) PUPCO	(SASCO) SASCO STRUT	(THOMAS & BETTS) SUPER-STRUT	(TOLCO) TOL-STRUT	(TYCO) UNI-STRUT	(UNITRON) U.S. STRUT	(VERSABAR CORP) VERSABAR	WESANCO WESTRUT
<b>FLAT HEAD MACHINE SCREWS</b>										
GFH062	N/A	N/A	N/A	N/A	N/A	N/A	HFMS025062EG	N/A	FLAT HEAD SCREWS 1/4 X 5/8	W-7420
GFH100	N/A	N/A	N/A	N/A	N/A	N/A	HFMS031100EG	N/A	FLAT HEAD SCREWS 5/16 X 1	N/A
GFH200	N/A	PS 6091 3/8" X 2"	N/A	N/A	N/A	N/A	N/A	N/A	FLAT HEAD SCREWS 3/8 X 2	N/A
GFH225	N/A	PS 6091 3/8" X 2-1/4"	N/A	N/A	N/A	N/A	N/A	N/A	FLAT HEAD SCREWS 3/8 X 2-1/4	N/A
GFH250	N/A	N/A	N/A	N/A	N/A	N/A	N/A	N/A	FLAT HEAD SCREWS 3/8 X 2-1/2	W-7424
<b>ROUND HEAD MACHINE SCREWS</b>										
GRH1075	N/A	PS 6072 1/4 X 3/4	N/A	N/A	N/A	N/A	HRMS025075EG	N/A	1/4" X 3/4"	W-7470
GRH1100	N/A	PS 6072 1/4 X 1	N/A	N/A	N/A	N/A	HRMS025100EG	N/A	1/4" X 1"	W-7471
GRH1125	N/A	PS 6072 1/4 X 1-1/4	N/A	N/A	N/A	N/A	N/A	N/A	N/A	W-7472
GRH2100	N/A	N/A	N/A	N/A	N/A	N/A	HRMS031100EG	N/A	5/16" X 1"	W-7473
GRH2125	N/A	N/A	N/A	N/A	N/A	N/A	HRMS031125EG	N/A	5/16" X 1-1/4"	W-7474
GRH1150	N/A	N/A	N/A	N/A	N/A	N/A	N/A	N/A	N/A	W-7475
GRH3100	N/A	PS 6072 3/8 X 1	N/A	N/A	N/A	N/A	HRMS037100	N/A	3/8 X 1"	W-7476
GRH1025	N/A	PS 6072 3/8 X 1-1/4	N/A	N/A	N/A	N/A	HRMS037125EG	N/A	3/8 X 1-1/4"	W-7477
GRH2150	N/A	PS 6072 3/8 X 1-1/2	N/A	N/A	N/A	N/A	HRMS037150EG	N/A	3/8 X 1-1/2"	W-7478
GRH1250	N/A	N/A	N/A	N/A	N/A	N/A	N/A	N/A	3/8 X 2-1/2"	W-7479
<b>SQUARE NUTS</b>										
GSN025	N/A	PS 6108 1/4	N/A	N/A	AB 102 1/4 EG	N/A	HSQN025EG	USN500	1/4"	W-7480
GSN3125	N/A	PS 6108 5/16	N/A	N/A	N/A	N/A	HSQN031EG	USN500-A	5/16"	W-7481
GSN375	N/A	PS 6108 3/8	N/A	N/A	AB 102 3/8 EG	N/A	HSQN037EG	USN501	3/8"	W-7482
GSN050	N/A	PS 6108 1/2	N/A	N/A	AB 102 1/2 EG	N/A	HSQN050EG	USN502	1/2"	W-7483
<b>ALL-THREAD ROD</b>										
GAT025	FIG. 21 1/4 X 20	PS 146 1/4 EG	HG-FIG. 51 1/4 PG	N/A	H-104-1/4 EG	N/A	HTHR025	UTH250	VTR-25-6	W-7124
GAT037	FIG. 21 3/8 X 16	PS 146 3/8 EG	HG-FIG. 51 3/8 PG	N/A	H-104-3/8 EG	N/A	HTHR037	UTH375	VTR-37-6	W-7125
GAT050	FIG. 21 1/2 X 13	PS 146 1/2 EG	HG-FIG. 51 1/2 PG	N/A	H-104-1/2 EG	N/A	HTHR050	UTH500	VTR-50-6	W-7126
GAT062	FIG. 21 5/8 X 11	PS 146 5/8 EG	HG-FIG. 51 5/8 PG	N/A	H-104-5/8 EG	N/A	HTHR062	UTH625	VTR-62-6	W-7127
GAT075	FIG. 21 3/4 X 10	PS 146 3/4 EG	HG-FIG. 51 3/4 PG	N/A	H-104-3/4 EG	N/A	HTHR075	UTH750	N/A	W-7128
<b>ROD COUPLERS</b>										
GRC025	FIG. 100 1/4 PG	PS 135 1/4	HD-RC 1/4 PG	N/A	H-119-1/4 EG	N/A	HRCN025	UCN250	VTRC-25	W-7134
GRC037	FIG. 100 3/8 PG	PS 135 3/8	HD-RC 3/8 PG	N/A	H-119-3/8 EG	N/A	HRCN037	UCN375	VTRC-37	W-7135
GRC050	FIG. 100 1/2 PG	PS 135 1/2	HD-RC 1/2 PG	N/A	N/A	N/A	HRCN050	UCN500	VTRC-50	W-7136
GRC062	FIG. 100 5/8 PG	PS 135 5/8	HD-RC 5/8 PG	N/A	H-119-5/8 EG	N/A	HRCN062	N/A	VTRC-62	W-7137
GRC075	FIG. 100 3/4 PG	PS 135 3/4	HD-RC 3/4 PG	N/A	H-119-3/4 EG	N/A	HRCN075	N/A	N/A	W-7138
<b>SQUARE WASHER ( 1 5/8" x 1 5/8" )</b>										
G201025	5000	PS 619 1/4	FF-AS619-1/4 PG	N/A	AB-241-1/4 EG	N/A	N/A	N/A	N/A	N/A
G201037	5001	PS 619 3/8	FF-AS619-3/8 PG	N/A	AB-241-3/8 EG	F-14	P1063	N/A	VF-1101-5/16	W-5053
G201050	5002	PS 619 1/2	FF-AS619-1/2 PG	N/A	AB-241-1/2 EG	F-15	P1064	UF133-12	VF-1101-1/2	W-5053
G201062	5003	PS 619 5/8	FF-AS619-5/8 PG	N/A	AB-241-5/8 EG	F-16	P1964	UF133-58	VF-1101-5/8	W-5054
G201075	5004	PS 619 3/4	FF-AS619-3/4 PG	N/A	AB-241-3/4 EG	F-17	P2471	N/A	VF-1101-3/4	W-5056
<b>NO TURN SQUARE WASHER</b>										
G202025	5005	PS 2504 1/4	FF-AS2504-1/4 PG	N/A	AB-241L-1/4 EG	N/A	N/A	N/A	N/A	N/A
G202037	5006	PS 2504 3/8	FF-AS2504-3/8 PG	N/A	AB-241L-3/8 EG	F-11	P2863	UF100-38-A	VF-1101N-5/16	W-5003
G202050	5007	PS 2504 1/2	FF-AS2504-1/2 PG	N/A	AB-241L-1/2 EG	F-12	P2864	UF100-12-A	VF-1101N-1/2	W-5003
G202062	5008	N/A	FF-AS2504-5/8 PG	N/A	AB-241L-5/8 EG	F-12	N/A	UF100-58-A	VF-1101N-5/8	W-5005
G202075	5009	N/A	FF-AS2504-3/4 PG	N/A	N/A	F-12	N/A	UF100-34-A	VF-1101N-3/4	W-5006
<b>2-HOLE FLAT PLATE CONNECTOR</b>										
G2031	5011	N/A	N/A	N/A	N/A	N/A	N/A	N/A	VF-1211	N/A
G2032	5010	PS 601	FF-AS601-3-1/2 X 1-7/8 PG	S110P-HG	AB-206 EG	F-09	P1065	N/A	VF-1201	W-5007
G2033	5012	PS 620	FF-AS620-3-1/4 X 1-5/8 PG	N/A	N/A	F-22 ?	P1924	N/A	VF-1204	W-5013
<b>4-HOLE SPLICE PLATE</b>										
G205	5015	PS 888	FF-AS888-7-1/4 PG	S114P-HG	X-207 EG	F-23 ?	P1067	UF103	VF-1402	W-5009
G2051	5017	N/A	FF-AS621-3-1/2 X 3-1/4 PG	N/A	N/A	N/A	P2079	N/A	VF-1412	N/A
<b>3-HOLE SPLICE PLATE</b>										
G206	**5013 (5-3/8 X 1-7/8)	PS-602	FF-AS602-5-3/5 PG	S111P-HG	AB-207 EG	F-20	P1066	UF102	N/A	G-5008
G2061	5014	PS-621	N/A	S113P-HG	N/A	N/A	P1925	N/A	VF-1306	N/A
<b>3-HOLE SWIVEL</b>										
G207	N/A	PS 617	**FF-AS617 PG	N/A	AB-240 EG	F-27	P2324	UF105	N/A	N/A
<b>2-HOLE SWIVEL</b>										
G2071	5020	PS 618	**FF-AS618 PG	N/A	N/A	N/A	P2325	UF104	VF-1203	W-5011
<b>5-HOLE SPLICE PLATE</b>										
G208	5019	PS 889	FF-AS888-5 EG	N/A	X-208 EG	F-21	P1941	N/A	VF-1506	W-5010
<b>3-HOLE FLAT ANGLE PLATE</b>										
G210	5025	PS 718	FF-AS718 EG	S119P-HG	AB-219 EG	F-36	P1036	UF200	VF-1301	W-5021
<b>3-HOLE CORNER CONNECTOR</b>										
G211	5045	PS 744	FF-AS744 EG	S122P-HG	AB-255 EG	F-35	P1334	UF300	VF-1304	N/A
<b>3-HOLE CONNECTOR PLATE</b>										
G212	5065	PS 925	FF-AS925 EG	S126P-HG	N/A	F-30	P1356	UF500	VF-1305	N/A
<b>4-HOLE TEE PLATE</b>										
G213	5035	PS 714	FF-AS714 EG	S120P-HG	AB-220 EG	F-25	P1031	UF400	VF-1401	W-5022
<b>4-HOLE CORNER JOINER PLATE</b>										
G214	5030	PS 719	FF-AS718-4 EG	S123P-HG	N-219 EG	F-37	P1380A	UF201	VF-1406A	W-5025
<b>5-HOLE CROSS PLATE</b>										
G216	5040	PS 712	FF-AS712 EG	S121P-HG	AB-253 EG	F-28	P1028	UF600	VF-1501	W-5023
<b>4-HOLE CONNECTOR</b>										
G217	5075	PS 747	FF-AS747 EG	S127P-HG	AB-265 EG	F-31	P1358	UF501	VF-1404	W-5026

CROSS REFERENCE

(GREGORY) G-STRUT	(ANVIL INTERNATIONAL) ANVIL STRUT	(COOPER) B-LINE	(CULLY) MINERALLAC	(ELITE) ELIITE COMPONENTS	(ERICO) ERI-STRUT	(FLEX STRUT) FLEX STRUT	(FLORIDA STRUT) FLORIDA STRUT	(GS METALS) GLOBE STRUT	(HAYDON) H-STRUT
<b>4-HOLE CORNER CONNECTOR</b>									
G218	AS 750 EG	B142 ZN	N/A	N/A	N/A	FS-5024	F53 0000EG	G-2063	F-218
<b>5-HOLE CONNECTOR</b>									
G219	AS 854 EG	B532 ZN	N/A	N/A	N/A	FS-5027	F63 0000EG	G-2057	F-219
<b>5-HOLE CORNER CONNECTOR</b>									
G2191	AS 2190 EG	B566 ZN	N/A	N/A	N/A	N/A	F54 0000EG	N/A	F-221
<b>7-HOLE CONNECTOR</b>									
G220	AS 2112 EG	B334 ZN	N/A	N/A	N/A	N/A	F71 0000EG	N/A	F-220
<b>6-HOLE TEE CORNER CONNECTOR</b>									
G221	N/A	B339 ZN	N/A	N/A	N/A	N/A	N/A	N/A	N/A
<b>6-HOLE STAGGERED HOLE CONNECTOR</b>									
G222	N/A	B568 ZN	N/A	N/A	N/A	N/A	N/A	G-2068	N/A
<b>2-HOLE CORNER ANGLE</b>									
G301	N/A	B359 ZN	N/A	9SA2187300G	N/A	N/A	L14 0000EG	G-3007	N/A
<b>2-HOLE CONNECTION ANGLE</b>									
G302	AS 603 EG	N/A	N/A	9SA2187200G	L110000EG	FS-5103	L11 0000EG	G-3006	A-302
<b>2-HOLE CORNER ANGLE</b>									
G3031	AS 2144 3	B359 ZN	N/A	9SA2187300G	L120300RG	N/A	N/A	N/A	A-338-1
G3032	AS 2144 3-1/2	B360 ZN	N/A	N/A	L120350EG	N/A	L15 0000EG	N/A	A-338-2
G3033	AS 2144 4	B361 ZN	N/A	N/A	L120400EG	N/A	L16 0000EG	N/A	A-338-3
<b>2-HOLE NO-TWIST CORNER ANGLE (2 Indents)</b>									
G304	AS 806 EG	**B231 ZN (2-1/4 X 2-1/4)	N/A	N/A	N/A	FS-5104	**L10 0000EG (2-1/8 X 2-1/8)	G-3018	A-304
<b>2-HOLE OPEN ANGLE</b>									
G305	**AS 633 EG (3-1/4 X 2-3/8)	N/A	N/A	N/A	N/A	N/A	N/A	N/A	N/A
G3051	N/A	N/A	N/A	N/A	N/A	N/A	?	N/A	N/A
<b>3-HOLE CORNER ANGLE</b>									
G306	N/A	B103 ZN	N/A	9SA3162412G	L190000EG	FS-5112	L21 0000EG	G-3024	A-306
G3063	N/A	N/A	N/A	**9SA3187387G (3-7/8 X 1-7/8)	L200000EG	**FS-5113 (3-7/8 X 1-7/8)	N/A	**G-3021 (3-7/8 X 1-7/8)	N/A
<b>1-HOLE 90° CORNER ANGLE</b>									
G3061	AS 921 A EG	**B420-378 ZN (3-7/8X1-7/8)	N/A	N/A	N/A	N/A	**L70 0000EG (3-7/8 X 1-7/8)	**G-3002 (3-7/8 X 1-7/8)	N/A
G3062	AS 921 B EG	**B420-578 ZN (5-7/8X1-7/8)	N/A	N/A	N/A	N/A	**L71 0000EG (5-7/8 X 1-7/8)	N/A	N/A
G3063	AS 921 C EG	**B420-778 ZN (7-7/8X1-7/8)	N/A	N/A	N/A	N/A	**L72 0000EG (7-7/8 X 1-7/8)	N/A	N/A
G3064	AS 921 D EG	**B420-978 ZN (9-7/8X1-7/8)	N/A	N/A	N/A	N/A	**L73 0000EG (9-7/8 X 1-7/8)	N/A	N/A
<b>3-HOLE CORNER SHELF ANGLE</b>									
G3071	N/A	B125 ZN	N/A	N/A	N/A	**FS-5110 (3-1/2 X 2-1/4)	**L22 0000EG (3-1/2 X 2-1/4)	G-3057	N/A
<b>4-HOLE CORNER SHELF ANGLE</b>									
G308	N/A	B 485 ZN	N/A	N/A	N/A	N/A	N/A	N/A	N/A
<b>4-HOLE JOINT CONNECTOR ANGLE</b>									
G309	N/A	B118 ZN	N/A	N/A	N/A	FS-5109	N/A	G-3060	A-309
<b>4-HOLE DUPLEX CORNER ANGLE</b>									
G310	N/A	B126 ZN	N/A	N/A	N/A	N/A	L32 0000EG	G-3059	A-310
<b>4-HOLE CORNER ANGLE</b>									
G311	AS 607 EG	B104SH ZN	N/A	9SA4412350G	L220000EG	FS-5123	L31 000EG	G-3033	A-311
<b>4-HOLE ANGLE</b>									
G3111	N/A	**B115 ZN (3-3/4 X 3-15/16)	N/A	N/A	N/A	FS-5125	L13 0000EG	G-3032	N/A
<b>4-HOLE BENT TEE</b>									
G312	AS 715 EG	**B357 ZN (5-3/8 X 2-1/16)	N/A	N/A	**L270000EG (5-3/8 X 1-15/16)	FS-5120?	**L50 0000EG (5-3/8 X 1-7/8)	G-3040	A-312
<b>5-HOLE DUPLEX CORNER ANGLE</b>									
G313	N/A	B127 ZN	N/A	N/A	N/A	**FS-5117 (3-1/2 X 4-1/8)	**L33 0000EG (3-1/2 X 4-1/8)	**G-3063 (3-1/2 X 4-1/8)	**A-313 (4-1/8 X 3-1/20)
<b>5-HOLE JOINT CONNECTOR ANGLE</b>									
G314	AS 927 EG	B533 ZN	N/A	N/A	N/A	N/A	L23 0000EG	N/A	A-314
<b>SLOTTED JOINT CONNECTOR ANGLE</b>									
G315	AS 689 A EG	B112 ZN	N/A	N/A	N/A	FS-5130	L45 0000EG	**G-3067 (6-5/8 X 3-5/8)	A-315
G3151	AS 689 B EG	B113 ZN	N/A	N/A	N/A	FS-5131	L46 0000EG	**G-3068 (6-5/8 X 3-5/8)	A-315-1
<b>2-HOLE CLOSED ANGLE</b>									
G3171	AS 624 EG 45	B155 ZN	N/A	9SAD45CG	L470450EG	FS-5142-45	L61 0000EG 45	G-3121	A-317-45
G3172	**AS 624 EG 67-1/2	**B158 ZN (67-1/2)	N/A	N/A	N/A	N/A	L61 0000EG 67	G-3118	N/A
<b>2-Hole Open ANGLE BRACKET</b>									
G3191	AS 633 EG 82 1/2	B147 ZN	N/A	N/A	N/A	N/A	L60 0000EG 82 1/2	N/A	A-319-1
G3192	AS 633 EG 75	B148 ZN	N/A	N/A	N/A	N/A	L60 0000EG 75	N/A	A-319-2
G3193	AS 633 EG 67 1/2	B149 ZN	N/A	N/A	N/A	N/A	L60 0000EG 67-1/2	N/A	A-319-3
G3194	AS 633 EG 60	B150 ZN	N/A	N/A	L4606000EG	FS-5143-60	L60 0000EG 60	G-3110	A-319-4
G3195	AS 633 EG 52 1/2	B151 ZN	N/A	N/A	N/A	N/A	L60 0000EG 52-1/2	N/A	A-319-5
G3196	AS 633 EG 37 1/2	B152 ZN	N/A	N/A	N/A	N/A	L60 0000EG 37-1/2	**G-3112 (37)	A-319-6
G3197	AS 633 EG 30	B162 ZN	N/A	N/A	L4603000EG	FS-5143-30	L60 0000EG 30	G-3113	A-320
G3198	AS 633 EG 22 1/2	B163 ZN	N/A	N/A	N/A	N/A	L60 0000EG 22-1/2	N/A	A-320-2
G3199	AS 633 EG 15	B164 ZN	N/A	N/A	N/A	N/A	L60 0000EG 15	N/A	A-320-3
G31910	AS 633 EG 7 1/2	B165 ZN	N/A	N/A	N/A	N/A	L60 0000EG 7-1/2	N/A	A-320-4
G31911	AS 633 EG 45	B154 ZN	N/A	9SAD450G	L460450EG	FS-5143-45	L60 0000EG 45	G3111	A-316

CROSS REFERENCE



(GREGORY) G-STRUT	(PHD MFG) PHD STRUT	(TYCO / ALLIED) POWER-STRUT	(POWER-UTILITY PRODUCTS) PUPCO	(SASCO) SASCO STRUT	(THOMAS & BETTS) SUPER-STRUT	(TOLCO) TOL-STRUT	(TYCO) UNI-STRUT	(UNITRON) U.S. STRUT	(VERSABAR CORP) VERSABAR	WESANCO WESTRUT
<b>4-HOLE CORNER CONNECTOR</b>										
G218	5050	PS 750	FF-AS750 EG	S124P-HG	AB-257 EG	F-33	P1380	UF301	VF-1406	W-5024
<b>5-HOLE CONNECTOR</b>										
G219	5080	PS 854	FF-AS854 EG	S128P-HG	AB-261 EG	F-32	P1726	UF502	VF-1504	W-5027
<b>5-HOLE CORNER CONNECTOR</b>										
G2191	5060	PS 2190	FF-AS2190 EG	S125P-HG	AB-263 EG	F-34	P1873	N/A	VF-1505	N/A
<b>7-HOLE CONNECTOR</b>										
G220	5095	PS 2112	FF-AS2112 EG	N/A	N/A	N/A	P1950	N/A	VF-1704	N/A
<b>6-HOLE TEE CORNER CONNECTOR</b>										
G221	5085	N/A	N/A	N/A	N/A	N/A	P1953	N/A	VF-1602	N/A
<b>6-HOLE STAGGERED HOLE CONNECTOR</b>										
G222	5090	N/A	N/A	N/A	N/A	N/A	N/A	N/A	VF-1603	N/A
<b>2-HOLE CORNER ANGLE</b>										
G301	5110	N/A	AF-AS2144 EG	N/A	AB-201 EG	N/A	N/A	N/A	N/A	N/A
<b>2-HOLE CONNECTION ANGLE</b>										
G302	**5112 (2-1/16 X 1-7/8)	PS 603	AF-AS603 EG	S206A-HG	AB-202 EG	L-11	P1026	N/A	VF-2201	W-5103
<b>2-HOLE CORNER ANGLE</b>										
G3031	5115	PS 2144 3	N/A	S208-3A-HG	N/A	L-12 (3')	P1281	UA202-30	VF-2205A	N/A
G3032	5116	PS 2144 3-1/2	N/A	S208-35A-HG	N/A	L-12 (3-1/2')	P1282	UA202-35	VF-2205B	N/A
G3033	5118	PS 2144 4	N/A	S208-4A-HG	N/A	L-12 (4')	P1283	UA202-40	VF-2205C	N/A
<b>2-HOLE NO-TWIST CORNER ANGLE (2 Indents)</b>										
G304	5119	**PS-806 (2 1/8 X 2 1/8)	N/A	S207A-HG	AB-299 EG	L-08	N/A	**UA201-A (2-1/4 X 2)	VF-2204N	W-5104
<b>2-HOLE OPEN ANGLE</b>										
G305	N/A	N/A	N/A	N/A	N/A	N/A	N/A	UA101	N/A	N/A
G3051	N/A	N/A	N/A	N/A	N/A	N/A	N/A	N/A	N/A	N/A
<b>3-HOLE CORNER ANGLE</b>										
G306	5121	PS 606	AF-AS606 EG	**S209A-HG (4-1/8 X 1-7/16)	AB-203 EG	L-20	P1326	UA300	VF-2304	W-5112
G3063	**5122 (3-15/16 X 1-7/8)	**PS 745 (3-7/8 X 1-7/8)	N/A	**S210A-HG (3-7/8 X 1-7/8)	N/A	**L-19 (3-7/8 X 1-7/8)	N/A	N/A	VF-2305	
<b>1-HOLE 90° CORNER ANGLE</b>										
G3061	5101	PS 921 3-7/8	**AF-AS921 EG (3-7/8 X 1-7/8)	N/A	**AB-252-1 EG (3-7/8 X 1-7/8)	N/A	**P1538A (1-7/8 X 3-7/8)	N/A	**VF-2121 (3-7/8 X 1-7/8)	N/A
G3062	5103	PS 921 5-7/8	N/A	N/A	**AB-252-2 EG (5-7/8 X 1-7/8)	N/A	**P1538B (1-7/8 X 5-7/8)	N/A	**VF-2122 (5-7/8 X 1-7/8)	N/A
G3063	5105	PS 921 7-7/8	N/A	N/A	**AB-252-3 EG (7-7/8 X 1-7/8)	N/A	**P1538C (1-7/8 X 7-7/8)	N/A	**VF-2123 (7-7/8 X 1-7/8)	N/A
G3064	5107	PS 921 9-7/8	N/A	N/A	**AB-252-4 EG (9-7/8 X 1-7/8)	N/A	**P1538D (1-7/8 X 9-7/8)	N/A	**VF-2124 (9-7/8 X 1-7/8)	N/A
<b>3-HOLE CORNER SHELF ANGLE</b>										
G3071	5180	**PS 746 (3-1/2 X 2-1/4)	**AF-AS746 EG (3-1/2 X 2-1/4)	N/A	**AB-274 EG (3-1/2 X 2-1/4)	**L-43 (3-1/2 X 2-1/4)	**P1357 (3-1/2 X 2-1/4)	N/A	**VF-2310 (3-1/2 X 2-1/4)	N/A
<b>4-HOLE CORNER SHELF ANGLE</b>										
G308	5186	N/A	N/A	N/A	N/A	N/A	N/A	N/A	N/A	N/A
<b>4-HOLE JOINT CONNECTOR ANGLE</b>										
G309	**5185 (4-3/16 X 3-1/2)	PS 748	N/A	S235A-HG	X-289 EG	L-34	P1359	UA500	VF-2410	W-5109
<b>4-HOLE DUPLEX CORNER ANGLE</b>										
G310	5200	PS 614	AF-AS614 EG	N/A	N/A	N/A	P1579	UA550	VF-2413	N/A
<b>4-HOLE CORNER ANGLE</b>										
G311	5130	PS 607	AF-AS607 EG	S214A-HG	AB-205 EG	L-22	P1325	N/A	VF-2407	W-5123
<b>4-HOLE ANGLE</b>										
G3111	5131	PS-660	AF-AS660 EG	N/A	N-205 EG	N/A	N/A	UA400	VF-2403	W-5125
<b>4-HOLE BENT TEE</b>										
G312	5150	**PS 715 (4-7/8 X 2)	**AF-AS715 EG (5-3/8 X 1-7/8)	N/A	N/A	L-27	P1033	UA602	VF-2401	N/A
<b>5-HOLE DUPLEX CORNER ANGLE</b>										
G313	5205	N/A	**AF-AS615 EG (4-1/8 X 3-1/2)	N/A	**AB-216 EG (3-1/2 X 4-1/8)	*L-33 (3-1/2 X 4-1/8)	**P2235 (4-1/8 X 3-1/2)	UA551	**VF-2510 (4-1/8 X 3-1/2)	N/A
<b>5-HOLE JOINT CONNECTOR ANGLE</b>										
G314	5190	PS 927	AF-AS927 EG	S230A-HG	N/A	L-40	P1728	UA501	VF-2512	N/A
<b>SLOTTED JOINT CONNECTOR ANGLE</b>										
G315	5250	PS 689 A	AF-AS689-A EG	N/A	**X-204 EG (3-3/4 X 6-3/8)	N/A	P1130	UA502-6	VF-2204	N/A
G3151	N/A	PS 689 B	AF-AS689-B EG	N/A	N/A	N/A	P1131	UA502-8	VF-2204A	N/A
<b>2-HOLE CLOSED ANGLE</b>										
G3171	5361	PS 624 45	AF-AS624-6 - 45 EG	S278A-HG	AB-225 EG	L-47-45	P1186	UA150-45	VF-3202	W-5465
G3172	**5364 (67-1/2)	**PS 624 67 (67-1/2)	AF-AS624-6 - 67 EG	N/A	N/A	N/A	N/A	N/A	N/A	N/A
<b>2-Hole Open ANGLE BRACKET</b>										
G3191	5311	PS 633 82-1/2	AF-AS633- 82-1/2 EG	N/A	N/A	N/A	P2094	N/A	VF-3207	N/A
G3192	5310	PS 633 75	AF-AS633- 75 EG	N/A	N/A	N/A	P2095	N/A	VF-3208	N/A
G3193	5309	PS 633 67-1/2	AF-AS633- 67-1/2 EG	N/A	N/A	N/A	P2096	N/A	VF-3210	N/A
G3194	5308	PS 633 60	AF-AS633- 60 EG	S253A-HG	N/A	L-45-60	P2097	UA100-60	VF-3206	W-5423
G3195	5307	PS 633 52-1/2	AF-AS633- 52-1/2 EG	N/A	N/A	N/A	P2098	N/A	VF-3211	N/A
G3196	5306	PS 633 37-1/2	AF-AS633- 37-1/2 EG	N/A	N/A	N/A	**P2100 (37-1/2 X 2-11/16)	N/A	VF-3248 37-1/2	N/A
G3197	5304	PS 633 30	AF-AS633- 30 EG	S258A-HG	N/A	L-45-30	P2101	UA100-30	VF-3248 30	W-5427
G3198	5303	PS 633 22-1/2	AF-AS633- 22-1/2 EG	N/A	N/A	N/A	P2102	N/A	VF-3248 22-1/2	N/A
G3199	5302	PS 633 15	AF-AS633- 15 EG	N/A	N/A	N/A	P2103	UA100-15	VF-3248 15	N/A
G31910	5301	PS 633 7-1/2	AF-AS633- 7-1/2 EG	N/A	N/A	N/A	P2104	N/A	VF-3248 7-1/2	N/A
G31911	5315	PS 633 45	AF-AS633 - 45 EG	S255A-HG	AB-227 EG	L-45 45	P1546	UA100-45	VF-2303	W-5427

(GREGORY) G-STRUT	(ANVIL INTERNATIONAL) ANVIL STRUT	(COOPER) B-LINE	(CULLY) MINERALLAC	(ELITE) ELIITE COMPONENTS	(ERICO) ERI-STRUT	(FLEX STRUT) FLEX STRUT	(FLORIDA STRUT) FLORIDA STRUT	(GS METALS) GLOBE STRUT	(HAYDON) H-STRUT
<b>4-HOLE OPEN ANGLE BRACKET</b>									
G3201	AS 781 EG 7 1/2	B243 ZN	N/A	N/A	N/A	N/A	L62 0000EG 7-1/2	N/A	A-3194-1
G3202	AS 781 EG 15	B244 ZN	N/A	N/A	N/A	N/A	L62 0000EG 15	N/A	A-3194-2
G3203	AS 781 EG 22 1/2	B245 ZN	N/A	N/A	N/A	N/A	L62 0000EG 22-1/2	N/A	A-3194-3
G3204	AS 781 EG 30	B246 ZN	N/A	N/A	N/A	FS-5145-30	L62 0000EG 30	G-3134	A-3194-4
G3205	AS 781 EG 37 1/2	B247 ZN	N/A	N/A	N/A	N/A	L62 0000EG 37-1/2	**G-3133 (37)	A-3194-5
G3206	AS 781 EG 45	B248 ZN	N/A	N/A	N/A	FS-5145-45	L62 0000EG 45	G-3132	A-3194-6
G3207	AS 781 EG 52 1/2	B249 ZN	N/A	N/A	N/A	N/A	L62 0000EG 52-1/2	**G-3131 (52)	A-3194-7
G3208	AS 781 EG 60	B250 ZN	N/A	N/A	N/A	FS-5145-60	L62 0000EG 60	G-3130	A-3194-8
G3209	AS 781 EG 67 1/2	B251 ZN	N/A	N/A	N/A	N/A	L62 0000EG 67-1/2	**G-3129 (67)	A-3194-9
G32010	AS 781 EG 75	B252 ZN	N/A	N/A	N/A	N/A	L62 0000EG 75	G-3128	A-3194-10
G32011	AS 781 EG 82 1/2	B253 ZN	N/A	N/A	N/A	N/A	L62 0000EG 82-1/2	**G-3127 (82)	A-3194-11
<b>4-HOLE CLOSED ANGLE BRACKET</b>									
G32001	AS 793 EG 37 1/2	B369 ZN	N/A	N/A	N/A	N/A	L63 0000EG 37-1/2	N/A	A-3174-1
G32002	AS 793 EG 45	B368 ZN	N/A	N/A	N/A	FS-5144-45	L63 0000EG 45	G-3140	A-3174-2
G32003	AS 793 EG 52 1/2	B367 ZN	N/A	N/A	N/A	N/A	L63 0000EG 52-1/2	**G-3139 (52)	A-3174-3
G32004	AS 793 EG 60	B366 ZN	N/A	N/A	N/A	FS-5144-60	L63 0000EG 60	G-3138	A-3174-4
G32005	AS 793 EG 67 1/2	B365 ZN	N/A	N/A	N/A	N/A	L63 0000EG 67-1/2	N/A	A-3174-5
G32006	AS 793 EG 75	B364 ZN	N/A	N/A	N/A	N/A	L63 0000EG 75	N/A	A-3174-6
G32007	AS 793 EG 82 1/2	B363 ZN	N/A	N/A	N/A	N/A	L63 0000EG 82-1/2	N/A	A-3174-7
<b>3-HOLE SINGLE ANGLE CONNECTOR</b>									
G321L	N/A	B267L ZN	N/A	N/A	N/A	N/A	N/A	N/A	A-321-L
G321R	N/A	B267R ZN	N/A	N/A	N/A	N/A	N/A	N/A	A-321-R
<b>6-HOLE SINGLE ANGLE CONNECTOR</b>									
G32112L	AS 2128 LH EG	B269L ZN	N/A	N/A	N/A	**FS5521 (5-5/8 X 3-7/8)	N/A	N/A	A-321-1-L
G32112R	AS 2128 RH EG	B269R ZN	N/A	N/A	N/A	**FS5522 (5-5/8 X 3-7/8)	N/A	N/A	A-321-1-R
<b>3-HOLE "Z" ANGLE</b>									
G322	AS 611 EG	B105 ZN	N/A	N/A	N/A	FS-5212	N/A	G-4044	A-322
<b>2-HOLE "Z" ANGLE</b>									
G323	AS 612 EG	B106-42 ZN	N/A	N/A	N/A	FS-5214	N/A	N/A	**A-323 (3-1/4 X 1)
G3231	N/A	B106-12 ZN	N/A	N/A	N/A	FS-5211	**Z12 0000EG (2-7/16 X 2 1/8)	N/A	**A-323-22 (3-1/4 X 2-7/16)
G3232	N/A	B106-32 ZN	N/A	N/A	N/A	FS-5213	**Z20 0000EG (1 5/8 X 3-1/2)	N/A	**A-323-42 (3-1/4 X 1-3/8)
G3233	AS 928 EG	B106-52 ZN	N/A	N/A	N/A	FS-5215	**Z10 0000EG (2-1/8 X 13/16)	N/A	**A-323-62 (3-1/4 X 13/16)
G3234	N/A	N/A	N/A	N/A	N/A	**FS-5210 (3-1/4)	**Z13 0000EG (3-1/4 X 2-1/8)	N/A	N/A
G3235	N/A	B586 ZN	N/A	N/A	N/A	FS-5209	N/A	N/A	**A-341 (4-7/8 X 3-1/8)
<b>4-HOLE DOUBLE ANGLE CONNECTOR</b>									
G326	AS 665 EG	B119 ZN	N/A	N/A	N/A	N/A	N/A	N/A	N/A
<b>8-HOLE DOUBLE ANGLE 90° WING CONNECTOR</b>									
G3261	AS 667 EG	B121 ZN	N/A	N/A	N/A	**FS-5523 (5-3/8 X 3-7/8)	N/A	N/A	**A-326-1 (5-3/8 X 3-7/8)
<b>5-HOLE DOUBLE ANGLE CONNECTOR</b>									
G327	**AS 923 (5-3/8 X 2-1/8)	B271 ZN	N/A	N/A	N/A	**FS-5513 (5-3/8 X 2)	**W30 0000EG (5-7/16 X 2)	N/A	**A-327 (5-3/8 X 2-1/16)
<b>10-HOLE DOUBLE ANGLE CONNECTOR</b>									
G3271	**AS 913 (3-15/16 X 9-1/4) **B273 (3-15/16 X 9-3/16)	N/A	N/A	N/A	N/A	**FS-5528 (9-3/16 X 3-7/8)	**W33 0000EG (3-7/8 X 9-3/16)	**G-3101 (9-5/32 X 3-7/8)	**A-327-1 (9-1/4 X 3-15/16)
<b>6-HOLE TRIPLE ANGLE CONNECTOR</b>									
G3281	AS 668 EG	N/A	N/A	**GSWC06200G (3-1/2 X 5-7/16)	**W190000EG (3-1/2 X 5-7/16)	N/A	**W40 0000EG (2 X 5-7/16)	G-3096	**A-328 (5-3/8 X 2-1/16)
<b>12-HOLE TRIPLE ANGLE WING CONNECTOR</b>									
G329	N/A	N/A	N/A	N/A	N/A	N/A	**W42 0000EG (9-3/16 X 1-5/8)	N/A	N/A
<b>5-HOLE CORNER ANGLE</b>									
G329L	N/A	B268L ZN	N/A	N/A	N/A	N/A	N/A	N/A	N/A
G329R	N/A	B268R ZN	N/A	N/A	N/A	N/A	N/A	N/A	N/A
<b>3-HOLE 90° ANGLE</b>									
G330L	N/A	B236L ZN	N/A	N/A	N/A	**L26L0000EG (3-1/2 X 2) **FS-5135 (3-1/2 X 2)	N/A	**G-3043 (3-1/2 X 2)	**A-330-L (3-1/2 X 2)
G330R	N/A	B236-R ZN	N/A	N/A	N/A	**L26R0000EG (3-1/2 X 2) **FS-5136 (3-1/2 X 2)	N/A	**G-3044 (3-1/2 X 2)	**A-330-R (3-1/2 X 2)
<b>3-HOLE ADJUSTABLE CORNER ANGLE</b>									
G331	AS 3049 EG	B371-2 ZN	N/A	N/A	N/A	N/A	L43 0000EG	N/A	A-3360
<b>2-HOLE TAPPED CORNER ANGLE</b>									
G332	N/A	B109S ZN	N/A	N/A	N/A	FS-5150	N/A	N/A	N/A
<b>2-HOLE ADJUSTABLE CORNER ANGLE</b>									
G333	N/A	B371 ZN	N/A	N/A	N/A	FS-5105	**L40 0000EG (2-5/8 X 1-5/8)	N/A	**A-337 (2-5/8 X 1-5/8)
<b>2-HOLE ADJUSTABLE CORNER ANGLE</b>									
G334	N/A	B461 ZN	N/A	N/A	N/A	N/A	L44 0000EG	N/A	N/A
<b>UNIVERSAL SHELF BRACKET</b>									
G335	**AS 3373 EG (4 X 4)	**B844 ZN (4 X 4)	N/A	9SA7412412G	L23U0000EG	FS-5124	L34 0000EG	N/A	**A-335 (4 X 4)
<b>SLOTTED ANGLE</b>									
G336	AS 763 EG	B496-1 ZN	N/A	N/A	L160000EG	FS-5107	L41 0000EG	N/A	**A-336 (4-7/16)
G3361	AS 764 EG	B496 ZN	N/A	N/A	L170000EG	FS-5108	L42 0000EG	G-3014	A-336-1
G337	AS 2545 EG	B372 ZN	N/A	N/A	L150000EG	FS-5106	L40 0000EG	G-3013	A-337
<b>2-HOLE OFFSET ANGLE</b>									
G3381	AS 2144 EG 3"	B359 ZN	N/A	N/A	L120300EG	N/A	L14 0000EG	G-3007	A-338-1
G3382	AS 2144 EG 3 1/2"	B360 ZN	N/A	N/A	L120350EG	N/A	L15 0000EG	N/A	A-338-2
G3383	AS 2144 EG 4"	B361 ZN	N/A	N/A	L120400EG	N/A	L16 0000EG	N/A	A-338-3
<b>3-HOLE OFFSET BENT TEE</b>									
G339	N/A	B237 ZN	N/A	N/A	N/A	N/A	N/A	N/A	N/A
<b>5-HOLE OFFSET BENT TEE</b>									
G340	N/A	B239 ZN	N/A	N/A	N/A	FS-5120 (5-3/8 X ?)	N/A	N/A	N/A

CROSS REFERENCE



(GREGORY) G-STRUT	(PHD MFG) PHD STRUT	(TYCO / ALLIED) POWER-STRUT	(POWER-UTILITY PRODUCTS) PUPCO	(SASCO) SASCO STRUT	(THOMAS & BETTS) SUPER-STRUT	(TOLCO) TOL-STRUT	(TYCO) UNI-STRUT	(UNITRON) U.S. STRUT	(VERSABAR CORP) VERSABAR	WESANCO WESTRUT
<b>4-HOLE OPEN ANGLE BRACKET</b>										
G3201	5340	PS 781 7-1/2	AF-AS781 7-1/2 EG	N/A	N/A	N/A	P2260	N/A	VF-3402 7-1/2	N/A
G3202	5341	PS 781 15	AF-AS781 7-1/2 EG	N/A	N/A	N/A	P2261	UA102-15	VF-3402 15	N/A
G3203	5342	PS 781 22-1/2	AF-AS781 7-1/2 EG	N/A	N/A	N/A	P2262	N/A	VF-3402 22-1/2	N/A
G3204	5343	PS 781 30	AF-AS781 7-1/2 EG	S265A-HG	N/A	L-16 - 30	P2263	UA102-30	VF-3402 30	W-5447
G3205	5344	PS 781 37-1/2	AF-AS781 7-1/2 EG	N/A	N/A	N/A	P2264	N/A	VF-3402 37-1/2	N/A
G3206	5345	PS 781 45	AF-AS791-45	S267A-HG	N/A	L-16 - 30	P2265	UA102-45	VF-3402 45	W-5445
G3207	5346	PS 781 52-1/2	AF-AS781 7-1/2 EG	N/A	N/A	N/A	P2266	N/A	VF-3402 52-1/2	N/A
G3208	5347	PS 781 60	AF-AS781 7-1/2 EG	S269A-HG	N/A	L-16 - 30	P2267	UA102-60	VF-3402 60	W-5443
G3209	5348	PS 781 67-1/2	AF-AS781 7-1/2 EG	N/A	N/A	N/A	P2268	N/A	VF-3402 67-1/2	N/A
G32010	5349	PS 781 75	AF-AS781 7-1/2 EG	N/A	N/A	N/A	P2269	N/A	VF-3402 75	N/A
G32011	5350	PS 781 82-1/2	AF-AS781 7-1/2 EG	N/A	N/A	N/A	P2270	N/A	VF-3402 82-1/2	N/A
<b>4-HOLE CLOSED ANGLE BRACKET</b>										
G32001	5370	PS 793 37-1/2	AF-AS793-37-1/2 EG	N/A	N/A	N/A	N/A	N/A	VF-3430	N/A
G32002	5371	PS 793 45	AF-AS793-45 EG	S285A-HG	N/A	L-48 45	N/A	UA151-45	VF-3429	W-5415
G32003	5372	PS 793 52-1/2	AF-AS793-52-1/2 EG	N/A	N/A	N/A	N/A	N/A	VF-3428	N/A
G32004	5373	PS 793 60	AF-AS793-60 EG	S283A-HG	N/A	L-48 60	N/A	N/A	VF-3427	W-5413
G32005	5374	PS 793 67-1/2	AF-AS793-67-1/2 EG	N/A	N/A	N/A	N/A	N/A	VF-3426	N/A
G32006	5375	PS 793 75	AF-AS793-75 EG	N/A	N/A	N/A	N/A	N/A	VF-3425	N/A
G32007	5376	PS 793 82-1/2	AF-AS793-82-1/2 EG	N/A	N/A	N/A	N/A	N/A	VF-3424	N/A
<b>3-HOLE SINGLE ANGLE CONNECTOR</b>										
G321L	5506	N/A	N/A	N/A	AW-205-L EG	N/A	N/A	N/A	N/A	N/A
G321R	5505	N/A	N/A	N/A	AW-205-R EG	N/A	N/A	N/A	N/A	N/A
<b>6-HOLE SINGLE ANGLE CONNECTOR</b>										
G32112L	5616	**PS 2128 L (3-1/2 X 3-3/4)	N/A	N/A	N/A	N/A	N/A	N/A	N/A	N/A
G32112R	5615	**PS 2128 R (3-1/2 X 3-3/4)	N/A	N/A	N/A	N/A	N/A	N/A	N/A	N/A
<b>3-HOLE "Z" ANGLE</b>										
G322	5554	**PS 2054 (3-1/2 X 1-7/8)	N/A	N/A	N/A	N/A	N/A	UZ204	N/A	N/A
<b>2-HOLE "Z" ANGLE</b>										
G323	N/A	PS 612	N/A	N/A	N/A	N/A	N/A	UZ106	**VF-4301-10 (3-3/4 X 1)	N/A
G3231	5553	PS 2601	N/A	N/A	N/A	N/A	**P5545 (3-3/4 X 2-7/16)	UZ103	N/A	N/A
G3232	N/A	**PS 711 (3-3/4 X 1-3/8)	N/A	N/A	N/A	N/A	**P3045 (3-3/4 X 1-3/8)	UZ105	**VF-4301-6 (3-3/4 X 1-3/8)	N/A
G3233	5551	**PS 928 (3-3/4 X 13/16)	N/A	N/A	N/A	N/A	**P4045 (3-3/4 X 13/16)	UZ101	**VF-4301-4 (3-3/4 X 13/16)	N/A
G3234	5552	N/A	N/A	N/A	N/A	N/A	N/A	**UZ102 (3-1/2 X 3-1/4)	N/A	N/A
G3235	5558	N/A	N/A	N/A	N/A	N/A	N/A	N/A	**VF-4205 (3-3/4 X 4-7/8)	N/A
<b>4-HOLE DOUBLE ANGLE CONNECTOR</b>										
G326	5620	N/A	N/A	N/A	N/A	N/A	N/A	N/A	N/A	N/A
<b>8-HOLE DOUBLE ANGLE 90° WING CONNECTOR</b>										
G3261	5630	N/A	N/A	N/A	N/A	N/A	N/A	N/A	N/A	N/A
<b>5-HOLE DOUBLE ANGLE CONNECTOR</b>										
G327	5635	**PS 923 (5-13/32 X 2)	**WF-AS923 EG (5-7/16 X 2)	**S536W-HG (5-13/32 X 2)	N/A	**W-16 (5-13/32 X 2)	N/A	N/A	N/A	N/A
<b>10-HOLE DOUBLE ANGLE CONNECTOR</b>										
G3271	5645	N/A	N/A	N/A	N/A	**W-24 (3-7/8 X 9-5/32)	N/A	N/A	N/A	N/A
<b>6-HOLE TRIPLE ANGLE CONNECTOR</b>										
G3281	N/A	N/A	N/A	N/A	N/A	N/A	N/A	N/A	N/A	N/A
<b>12-HOLE TRIPLE ANGLE WING CONNECTOR</b>										
G329	5655	N/A	WF-AS669 EG	N/A	N/A	N/A	N/A	N/A	N/A	N/A
<b>5-HOLE CORNER ANGLE</b>										
G329L	5611	N/A	N/A	N/A	N/A	N/A	N/A	**UW101-L (3-7/8 X 3-1/2)	N/A	N/A
G329R	5610	N/A	N/A	N/A	N/A	N/A	N/A	**UW101-R (3-7/8 X 3-1/2)	N/A	N/A
<b>3-HOLE 90° ANGLE</b>										
G330L	5146	**PS 720 L (3-1/4 X 2)	N/A	N/A	**AB260 L EG (3-1/2 X 2-1/4)	**L-26-L (3-1/2 X 2)	**P1037L (3-1/2 X 2)	**UA600L (3-1/4 X 2)	**VF-2315L (3-1/2 X 2)	**W-5135 (3-1/2 X 2)
G330R	5141	**PS 720 R (3-1/4 X 2)	N/A	N/A	**AB260 R EG (3-1/2 X 2-1/4)	**L-26-R (3-1/2 X 2)	**P1038R (3-1/2 X 2)	**UA600R (3-1/4 X 2)	**VF-2315R (3-1/2 X 2)	**W-5136 (3-1/2 X 2)
<b>3-HOLE ADJUSTABLE CORNER ANGLE</b>										
G331	5230	PS 3049	AF-AS3049	N/A	N/A	L-21	P1747	N/A	VF-2507	N/A
<b>2-HOLE TAPPED CORNER ANGLE</b>										
G332	5260	N/A	N/A	N/A	N/A	N/A	P1723	N/A	VF-2202T	N/A
<b>2-HOLE ADJUSTABLE CORNER ANGLE</b>										
G333	5220	PS 2520	AF-AS2545 EG	N/A	N/A	N/A	N/A	N/A	VF-2217	N/A
<b>2-HOLE ADJUSTABLE CORNER ANGLE</b>										
G334	5228	N/A	AF-AS2113 EG	N/A	N/A	N/A	P1713	N/A	VF-2215	N/A
<b>UNIVERSAL SHELF BRACKET</b>										
G335	5165	**PS 3373 (4 X 4)	AF-AS3373 EG	N/A	N/A	N/A	**P2484 (4 X 4)	**UA450 (4 X 4)	VF-2708	W-5124
<b>SLOTTED ANGLE</b>										
G336	5226	PS 763	AF-AS763 EG	N/A	X-201 EG	L-16	P1498	N/A	VF-2208	N/A
G3361	5225	PS 764	AF-AS764 EG	N/A	N/A	L-17	P1499	N/A	VF-2208A	N/A
G337	5221	**PS 2520 (1-5/16 X 5-5/8)	AF-AS2545 EG	N/A	X-299 EG	L-15	P1750	UA203	VF-2228A	N/A
<b>2-HOLE OFFSET ANGLE</b>										
G3381	5115	PS 2144 3	AS2144	S208-3A-HG	N/A	L-12 3	P1281	UA202-30	VF-2205A	N/A
G3382	5116	PS 2144 3-1/2	N/A	S208-35A-HG	N/A	L-12 3-1/2	P1282	UA202-35	VF-2205B	N/A
G3383	5118	PS 2144 4	N/A	S208-4A-HG	N/A	L-12 4	P1283	UA202-40	VF-2205C	N/A
<b>3-HOLE OFFSET BENT TEE</b>										
G339	5148	N/A	N/A	N/A	N/A	N/A	N/A	N/A	N/A	N/A
<b>5-HOLE OFFSET BENT TEE</b>										
G340	5160	PS 713	N/A	N/A	N/A	N/A	P1029	N/A	N/A	N/A

CROSS  
REFERENCE

(GREGORY) G-STRUT	(ANVIL INTERNATIONAL) ANVIL STRUT	(COOPER) B-LINE	(CULLY) MINERALLAC	(ELITE) ELITE COMPONENTS	(ERICO) ERI-STRUT	(FLEX STRUT) FLEX STRUT	(FLORIDA STRUT) FLORIDA STRUT	(GS METALS) GLOBE STRUT	(HAYDON) H-STRUT
<b>4-HOLE OFFSET BENT TEE</b>									
G3411	N/A	B238R ZN	N/A	N/A	L25L0000EG	N/A	N/A	**G-3049 (3-3/4 X 3-1/2)	N/A
G3412	N/A	B238L ZN	N/A	N/A	L25R0000EG	N/A	N/A	**G-3050 (3-3/4 X 3-1/2)	N/A
<b>"Z" ANGLE DUCT CONNECTOR</b>									
G34102	N/A	B387-1 ZN	N/A	N/A	N/A	N/A	N/A	N/A	N/A
G34103	N/A	B387-2 ZN	N/A	N/A	N/A	N/A	**Z30 0000EG (4 X 1-5/8)	N/A	N/A
<b>4-HOLE JOINT CORNER ANGLE</b>									
G3421	N/A	B234L ZN	N/A	N/A	N/A	N/A	N/A	N/A	N/A
G3422	N/A	B234R ZN	N/A	N/A	N/A	N/A	N/A	N/A	N/A
G3431	N/A	B134L ZN	N/A	N/A	N/A	N/A	N/A	N/A	N/A
G3432	N/A	B134R ZN	N/A	N/A	N/A	N/A	N/A	N/A	N/A
<b>2-HOLE DUCT ANGLE</b>									
G344	AS 603 EG	B521 ZN	N/A	N/A	N/A	FS-5103	**L11 0000EG (1-7/8 X 2-1/8)	G-3006	A-302
<b>CHANNEL HANGER</b>									
G3461	N/A	B410-52 ZN	N/A	N/A	N/A	N/A	Z40 0000EG	N/A	N/A
G3462	N/A	B410-22 ZN	N/A	N/A	N/A	N/A	Z41 0000EG	N/A	N/A
G3463	N/A	**B410-12 ZN (2-7/16X13/16)	N/A	N/A	N/A	N/A	**Z42 0000 EG (13/16 X 2-7/16)	N/A	N/A
G3464	N/A	B410-11 ZN	N/A	N/A	N/A	N/A	Z43 0000EG	N/A	N/A
<b>TAPPED "Z" ANGLE</b>									
G347	N/A	B534 ZN	N/A	N/A	N/A	N/A	N/A	N/A	N/A
<b>3-HOLE SHEATH CORNER CONNECTOR</b>									
G348	N/A	B111 ZN	N/A	N/A	N/A	N/A	N/A	N/A	N/A
<b>ADJUSTABLE OFFSET "Z" ANGLE</b>									
G349	N/A	B515 ZN	N/A	N/A	N/A	N/A	Z60 0000EG	N/A	N/A
<b>8-HOLE DOUBLE WING CONNECTOR</b>									
G350	**AS 821 EG (5-13/32 X 3-7/8)	B272 ZN	N/A	N/A	N/A	N/A	**W31 0000EG (5-7/16 X 3 X 7/8)	**G-3084 (3-7/8 X 5-13/32)	**A-327-2 (3-15/16 X 5-3/8)
<b>9-HOLE TRIPLE WING CONNECTOR</b>									
G351	N/A	B124 ZN	N/A	**9SWC09375G (3-1/2 X 5-7/16)	**W20000EG (5-7/16 X 3-3/4)	**FS-5520 (5-3/16 X 3-7/8)	**W41 0000EG (5-7/16 X 3 7/8)	**G-3098 (3-7/8 X 5-13/32)	N/A
<b>8-HOLE DOUBLE CORNER CONNECTOR</b>									
G352	N/A	B362 ZN	N/A	N/A	N/A	N/A	N/A	N/A	N/A
<b>10-HOLE DOUBLE CORNER ANGLE</b>									
G353L	N/A	B495 ZN	N/A	N/A	**W180000EG (9-5/32 X 3-3/4)	FS-5528	W33 0000EG	**G-3101 (9-5/32 X 3-7/8)	N/A
<b>6 HOLE DOUBLE CORNER CONNECTOR</b>									
G354	AS 666 EG	N/A	N/A	N/A	N/A	FS-5518	**W21 (3-7/8 X 1-5/8)	G-3090	N/A
<b>"U" SUPPORT</b>									
G6011	AS 978 EG	**B116-42 ZN (5-7/16 X 1)	N/A	N/A	N/A	**FS-5311-2 (5-3/8 X 1)	N/A	N/A	**B601-1 (5-3/8 X 1)
G6012	AS 710 EG	**B116-32 ZN (5-7/16 X 1-3/8)	N/A	N/A	N/A	**FS-5311-3 (5-3/8 X 1-3/8)	N/A	N/A	**B601-2 (5-3/8 X 1-3/8)
G6013	AS 2119 EG	**B107 ZN (5-7/16 X 1-5/8)	N/A	N/A	N/A	N/A	N/A	N/A	**B601-3 (5-3/8 X 1-5/8)
G6014	AS 2648 EG	**B116-12 ZN (5-7/16 X 2-7/16)	N/A	N/A	N/A	**FS-5311-4 (5-3/8 X 2-7/16)	**U12 0000EG (5 3/8 X 2-7/16)	N/A	**B601-4 (5-3/8 X 2-7/16)
G6015	N/A	**B116-32A ZN (5-7/16 X 2-3/4)	N/A	N/A	N/A	N/A	N/A	N/A	**B601-5 (5-3/8 X 2-3/4)
G6016	AS 679 EG	**B107-22A ZN (5-7/16 X 3-1/4)	N/A	N/A	N/A	**FS-5311-5 (5-3/8 X 3-1/4)	**U13 0000EG (5-3/8 X 3-1/4)	N/A	**B601-6 (5-3/8 X 3-1/4)
G6017	AS 929 EG	**B116-52 ZN (5-7/16 X 13/16)	N/A	N/A	N/A	**FS-5311-1 (5-3/8 X 13-16)	**U10 0000EG (5-3/8 X 13-16)	N/A	N/A
G6018	AS 678 EG	**B588 ZN (5-7/16 X 4-7/8)	N/A	N/A	N/A	**FS-5311-6 (5-3/8 X 4-7/8)	**U14 0000EG (5-3/8 X 4-7/8)	N/A	**B-601-7 (4-7/8 X 5-3/8)
<b>"U" SUPPORT</b>									
G6021	AS 687 EG 7-1/4	N/A	N/A	N/A	N/A	FS-5307	N/A	G-4022	B-602-1
G6022	**AS 687 EG 8-1/2 (5-3/8)	N/A	N/A	N/A	N/A	N/A	N/A	G-4023	**B-602-2 (8-1/2 X 5-3/8)
G6023	AS 687 EG 10-3/8	N/A	N/A	N/A	N/A	FS-5310	N/A	G-4024	B-602-3
<b>KNEE BRACE</b>									
G603	AS 924 EG 12	B261-18 ZN	N/A	N/A	L441800EG	FS-5472-18	L83 0000EG	N/A	N/A
G6031	**AS 924 EG 16-5/8	**B261-16 ZN (16-5/8)	N/A	N/A	L441600EG	FS-5472-16	L82 0000EG	**G-5099 (16-3/4)	**B-603-1 (16-5/8)
G6032	N/A	B261-12 ZN	N/A	N/A	L441200EG	FS-5472-12	L81 0000EG	N/A	**B-603-2
<b>3-HOLE SPLICE CHANNEL</b>									
G6041	AS 645 EG	B171 ZN	N/A	N/A	F200000EG	FS-5343	U31 0000EG	G-4006	B-604
<b>PIPE AXLE SUPPORT</b>									
G605L	N/A	N/A	N/A	N/A	N/A	N/A	N/A	N/A	N/A
G605R	N/A	N/A	N/A	N/A	N/A	N/A	N/A	N/A	N/A
<b>4-HOLE SPLICE CHANNEL</b>									
G6061	AS 646 EG	B172 ZN	N/A	N/A	**U24A0000EG (7-1/4 X 1-5/8)	N/A	**U32 0000EG (7 1/4 X 1 5/8)	N/A	**B-605 (7-1/4 X 1-5/8)
G6062	AS 616 EG	B167 ZN	N/A	N/A	**U24C0000EG (7-1/4 X 13/16)	N/A	**U33 0000EG (7 1/4 X 13/16)	N/A	**B-608 (7-1/4 X 13/16)
G6063	N/A	N/A	N/A	N/A	N/A	N/A	N/A	N/A	N/A
<b>2-HOLE SPLICE CHANNEL</b>									
G607	AS 644 EG	B170 ZN	N/A	N/A	N/A	FS-5342	U30 0000EG	G-4002	B-607
<b>2-HOLE 45° TUBING BRACE</b>									
G6081	N/A	B631-18 ZN	N/A	N/A	N/A	FS-5460-18	N/A	N/A	N/A
G6082	N/A	B631-24 ZN	N/A	N/A	N/A	FS-5460-24	N/A	N/A	N/A
G6083	N/A	B631-30 ZN	N/A	N/A	N/A	FS-5460-30	N/A	N/A	N/A
G6084	N/A	B631-36 ZN	N/A	N/A	N/A	FS-5460-36	N/A	N/A	N/A
G6085	N/A	B631-42 ZN	N/A	N/A	N/A	N/A	N/A	N/A	N/A
G6086	N/A	B631-48 ZN	N/A	N/A	N/A	N/A	N/A	N/A	N/A
G6087	N/A	B631-54 ZN	N/A	N/A	N/A	N/A	N/A	N/A	N/A
G6088	N/A	B631-60 ZN	N/A	N/A	N/A	N/A	N/A	N/A	N/A

CROSS REFERENCE

(GREGORY) G-STRUT	(PHD MFG) PHD STRUT	(TYCO / ALLIED) POWER-STRUT	(POWER-UTILITY PRODUCTS) PUPCO	(SASCO) SASCO STRUT	(THOMAS & BETTS) SUPER-STRUT	(TOLCO) TOL-STRUT	(TYCO) UNI-STRUT	(UNITRON) U.S. STRUT	(VERSABAR CORP) VERSABAR	WESANCO WESTRUT
<b>4-HOLE OFFSET BENT TEE</b>										
G3411	5155	**PS 716L (3-1/2 X 3-1/2)	N/A	N/A	N/A	N/A	**P1034 (3-1/2 X 3-1/2)	UA601-L	**VF-2402R (3-1/2 X 3-1/2)	N/A
G3412	5156	**PS 716R (3-1/2 X 3-1/2)	N/A	N/A	N/A	N/A	**P1035 (3-1/2 X 3-1/2)	UA601-R	**VF-2402L (3-1/2 X 3-1/2)	N/A
<b>"Z" ANGLE DUCT CONNECTOR</b>										
G34101	N/A	N/A	N/A	N/A	N/A	N/A	N/A	N/A	N/A	N/A
G34102	5561	N/A	N/A	N/A	N/A	N/A	N/A	N/A	N/A	N/A
G34103	5562	N/A	N/A	N/A	N/A	N/A	N/A	N/A	N/A	N/A
<b>4-HOLE JOINT CORNER ANGLE</b>										
G3421	N/A	**PS 752 L (4-1/8 X 3-1/2)	N/A	**S217A-HG (4-1/8 X 3-1/2)	N/A	N/A	N/A	N/A	**VF-2411L (4-1/8 X 3-1/2)	N/A
G3422	N/A	**PS 752 R (4-1/8 X 3-1/2)	N/A	**S218A-HG (4-1/8 X 3-1/2)	N/A	N/A	N/A	N/A	**VF-2411R (4-1/8 X 3-1/2)	N/A
G3431	5171	N/A	N/A	**S233A-HG (3-1/2 X 3-7/8)	N/A	N/A	N/A	N/A	**VF-2421L (3-7/8 X 3-1/2)	N/A
G3432	5176	N/A	N/A	**S232A-HG (3-1/2 X 3-7/8)	N/A	N/A	N/A	N/A	**VF-2421R (3-7/8 X 3-1/2)	N/A
<b>2-HOLE DUCT ANGLE</b>										
G344	5270	PS 603	AF-AS603	S206A-HG	540-3/8	L-11	P1026	N/A	VF-2201	W-5102
<b>CHANNEL HANGER</b>										
G3461	5581	PS 2532	ZF-AS2532 - 13/16 EG	N/A	N/A	N/A	N/A	N/A	N/A	N/A
G3462	5580	N/A	ZF-AS2532 - 1-5/8 EG	N/A	N/A	N/A	P2360	N/A	N/A	N/A
G3463	5583	N/A	ZF-AS2532 - 2-7/8 EG	N/A	N/A	N/A	N/A	N/A	N/A	N/A
G3464	5582	N/A	ZF-AS2532 - 3-1/4 EG	N/A	N/A	N/A	N/A	N/A	N/A	N/A
<b>TAPPED "Z" ANGLE</b>										
G347	5565	PS 647	**ZF-AS611 (2-1/8 X 1-5/8)	N/A	N/A	N/A	N/A	N/A	VF-4201	N/A
<b>3-HOLE SHEATH CORNER CONNECTOR</b>										
G348	5575	N/A	N/A	N/A	N/A	N/A	P1736	N/A	VF-3303	N/A
<b>ADJUSTABLE OFFSET "Z" ANGLE</b>										
G349	5590	PS 692	ZF-AS692 EG	N/A	N/A	N/A	N/A	N/A	VF-4303	N/A
<b>8-HOLE DOUBLE WING CONNECTOR</b>										
G350	5640	**PS 821 (5-13/32 X 3-7/8)	**WF-AS821 EG (5-7/16 X 3-7/8)	**S537W-HG (5-13/32 X 3-7/8)	**AW-224 (5-7/16 X 3/7/8)	N/A	N/A	N/A	**VF-6801 (5-13/32 X 3-5/8)	N/A
<b>9-HOLE TRIPLE WING CONNECTOR</b>										
G351	5660	N/A	**WF-AS670 EG (5-7/16 X 3-7/8)	N/A	N/A	N/A	N/A	N/A	N/A	N/A
<b>8-HOLE DOUBLE CORNER CONNECTOR</b>										
G352	5665	N/A	**WF-AS943 EG (3-1/2 X 3-1/2)	N/A	N/A	N/A	N/A	N/A	N/A	N/A
<b>10-HOLE DOUBLE CORNER ANGLE</b>										
G353L	5675	**PS 945 (9-5/32 X 3-7/8)	WF-AS945 EG	N/A	**AW-219 (3-7/8 X 9-6/32)	**W-24 (3-7/8 X 9-5/32)	**P2348 (3-7/8 X 9-5/32)	N/A	**VF-21001 (9-5/32 X 3-5/8)	N/A
<b>6-HOLE DOUBLE CORNER CONNECTOR</b>										
G354	N/A	N/A	**WF-AS666 EG (1-5/8 X 3-7/8)	N/A	AW-214	W-13	P2224	UW201	**VF-3601 (3-5/8 X 1-5/8)	N/A
<b>"U" SUPPORT</b>										
G6011	N/A	N/A	N/A	N/A	N/A	N/A	N/A	N/A	**VF-6402-10 (5-3/8 X 1)	N/A
G6012	N/A	N/A	N/A	N/A	N/A	N/A	N/A	N/A	**VF-6402-6 (5-3/8 X 1-3/8)	N/A
G6013	N/A	N/A	N/A	N/A	N/A	N/A	**P3047 (5-3/8 X 1-3/8)	N/A	**VF-6402-3 (5-3/8 X 2-1/2)	N/A
G6014	5505	N/A	**UF-AS2648 EG (5-3/8 X 2-7/16)	N/A	N/A	N/A	**P1047 (5-3/8 X 1-5/8)	N/A	N/A	N/A
G6015	N/A	N/A	N/A	N/A	N/A	N/A	N/A	N/A	**VF-6402-3 (5-3/8 X 2-1/2)	N/A
G6016	5507	N/A	**UF-AS679 EG (5-3/8 X 3-1/4)	N/A	N/A	N/A	**P5547 (5-3/8 X 2-7/16)	N/A	N/A	N/A
G6017	N/A	N/A	**UF-AS929 EG (5-3/8 X 13/16)	N/A	N/A	N/A	N/A	N/A	**VF-6402-3 (5-3/8 X 2-1/2)	N/A
G6018	5509	N/A	**UF-AS678 EG (5-3/8 X 4-7/8)	N/A	N/A	N/A	**P1737 (5-3/8 X 3-1/4)	N/A	**VF-6317 (5-3/8 X 3-1/4)	N/A
G6019	N/A	N/A	N/A	N/A	N/A	N/A	**P4047 (5-3/8 X 13/16)	N/A	**VF-6402-4 (5-3/8 X 13/16)	N/A
G6020	N/A	N/A	N/A	N/A	N/A	N/A	**P2473 (5-3/8 X 4-7/8)	N/A	**VF-6319 (4-7/8 X 3-1/4)	N/A
<b>"U" SUPPORT</b>										
G6021	5530	PS 687 A	N/A	N/A	N/A	N/A	P1048	UU300	N/A	W-5307
G6022	5531	N/A	N/A	N/A	N/A	N/A	P1049	**UU301 (8-1/2)	N/A	N/A
G6023	5532	PS 687 C	N/A	N/A	N/A	N/A	P1050	UU302	N/A	W-5310
<b>KNEE BRACE</b>										
G603	5412	PS 926 18	N/A	S800-18HG	N/A	L-44 - 18"	N/A	UB300-18	VF-3250-18"	W-5474
G6031	5411	N/A	N/A	N/A	N/A	L-44 - 16"	N/A	N/A	N/A	N/A
G6032	5410	PS 926 12	N/A	S800-12HG	N/A	L-44 - 12"	N/A	UB300-12	VF-3250-12"	W-5472
<b>3-HOLE SPLICE CHANNEL</b>										
G6041	5710	PS 645?	UF-AS629 EG	S412U-HG	N/A	N/A	P1376A	US204	VF-2320	W-5343
<b>PIPE AXLE SUPPORT</b>										
G605L	N/A	PS-825-L	N/A	N/A	N/A	NA	N/A	N/A	N/A	N/A
G605R	N/A	PS-825-R	N/A	N/A	N/A	NA	N/A	N/A	N/A	N/A
<b>4-HOLE SPLICE CHANNEL</b>										
G6061	N/A	N/A	N/A	**S414U-HG (7-1/4 X 1-5/8)	**A-208 EG (7-1/4 x 1-5/8)	U-24	P1377	**US304 (7 1/4 X 1 5/8)	N/A	N/A
G6062	N/A	N/A	N/A	N/A	N/A	N/A	P4377	**US301 (7-1/4 X 13/16)	N/A	N/A
G6063	N/A	N/A	N/A	N/A	N/A	N/A	N/A	N/A	N/A	N/A
<b>2-HOLE SPLICE CHANNEL</b>										
G607	5720	PS 644	UF-AS631 EG	S409U-HG	N/A	U-22	P4376	US104	VF-5204-4	W-5342
<b>2-HOLE 45° TUBING BRACE</b>										
G6081	5420	PS-812-18	N/A	N/A	N/A	N/A	P2458-18	N/A	N/A	N/A
G6082	5421	PS-812-24	N/A	N/A	N/A	N/A	P2458-24	N/A	N/A	N/A
G6083	5422	PS-812-30	N/A	N/A	N/A	N/A	P2458-30	N/A	N/A	N/A
G6084	5423	PS-812-36	N/A	N/A	N/A	N/A	P2458-36	N/A	N/A	N/A
G6085	5424	N/A	N/A	N/A	N/A	N/A	N/A	N/A	N/A	N/A
G6086	5425	N/A	N/A	N/A	N/A	N/A	N/A	N/A	N/A	N/A
G6087	5426	N/A	N/A	N/A	N/A	N/A	N/A	N/A	N/A	N/A
G6088	5427	N/A	N/A	N/A	N/A	N/A	N/A	N/A	N/A	N/A

CROSS REFERENCE

(GREGORY) G-STRUT	(ANVIL INTERNATIONAL) ANVIL STRUT	(COOPER) B-LINE	(CULLY) MINERALLAC	(ELITE) ELIITE COMPONENTS	(ERICO) ERI-STRUT	(FLEX STRUT) FLEX STRUT	(FLORIDA STRUT) FLORIDA STRUT	(GS METALS) GLOBE STRUT	(HAYDON) H-STRUT
<b>2-HOLE STRAIGHT TUBING BRACE</b>									
GTB6081	N/A	N/A	N/A	N/A	N/A	N/A	N/A	N/A	N/A
GTB6082	N/A	N/A	N/A	N/A	N/A	N/A	N/A	N/A	N/A
GTB6083	N/A	N/A	N/A	N/A	N/A	N/A	N/A	N/A	N/A
GTB6084	N/A	N/A	N/A	N/A	N/A	FS-5461-36	N/A	N/A	N/A
GTB6085	N/A	N/A	N/A	N/A	N/A	FS-5461-42	N/A	N/A	N/A
GTB6086	N/A	N/A	N/A	N/A	N/A	FS-5461-48	N/A	N/A	N/A
GTB6087	N/A	N/A	N/A	N/A	N/A	FS-5461-54	N/A	N/A	N/A
GTB6088	N/A	N/A	N/A	N/A	N/A	FS-5461-60	N/A	N/A	N/A
GTB6089	N/A	N/A	N/A	N/A	N/A	N/A	N/A	N/A	N/A
GTB60810	N/A	N/A	N/A	N/A	N/A	N/A	N/A	N/A	N/A
GTB60811	N/A	N/A	N/A	N/A	N/A	N/A	N/A	N/A	N/A
<b>5-HOLE "U" SUPPORT</b>									
G6091	N/A	N/A	N/A	N/A	N/A	N/A	N/A	G-4028	N/A
G6092	N/A	**B107 ZN(5-7/16X1-5/8)	N/A	N/A	N/A	FS-5312	U11 0000EG	G-4029	N/A
G6094	N/A	N/A	N/A	N/A	N/A	N/A	N/A	G-4031	N/A
G6095	N/A	N/A	N/A	N/A	N/A	N/A	N/A	G-4032	N/A
<b>DOUBLE 1 5/8" CHANNEL "U" SUPPORT</b>									
G610	N/A	**B266 (7-1/32 X 1-5/8)	N/A	N/A	N/A	FS-5317	U16 0000EG	G-4036 G	B-610
<b>VERTICAL 1 5/8" CHANNEL "U" SUPPORT</b>									
G611	N/A	B349 ZN	N/A	N/A	N/A	**FS-6604 (3-3/4 X 1-5/8)	**U40 0000EG (3 3/4 X 1 5/8)	N/A	**B-611 (3-3/4 X 1-5/8)
<b>TROLLEY BEAM JOINT SUPPORT</b>									
G6111	**AS 2528 EG (3	N/A	N/A	N/A	N/A	**FS-6603 (3-1/2 X 3-3/4)	**U41 0000EG (3 3/4 X 3 1/2)	N/A	**B-612 (3-3/4 X 3-1/2)
<b>INTERSECTING 1 5/8" CHANNEL "U" SUPPORT</b>									
G613	AS 2528-1 EG	N/A	N/A	N/A	N/A	N/A	N/A	N/A	N/A
<b>2-HOLE CLEVIS</b>									
G6221	N/A	B408-1 ZN	N/A	N/A	N/A	N/A	N/A	N/A	N/A
G6222	N/A	B408-2 ZN	N/A	N/A	N/A	N/A	N/A	N/A	N/A
G6223	N/A	B408-3 ZN	N/A	N/A	N/A	N/A	N/A	N/A	N/A
G6224	AS 993 EG 4	B358-4 ZN	N/A	N/A	N/A	FS-5324-4	U60 0400 EG	N/A	A-615-4"
G6225	AS 993 EG 5	B358-5 ZN	N/A	N/A	N/A	FS-5324-5	U60 0500 EG	N/A	A-615-5"
G6226	AS 993 EG 6	B358-6 ZN	N/A	N/A	N/A	FS-5324-6	U60 0600 EG	N/A	A-615-6"
G6227	AS 993 EG 7	B358-7 ZN	N/A	N/A	N/A	FS-5324-7	U60 0700 EG	N/A	A-615-7"
G6228	AS 993 EG 8	B358-8 ZN	N/A	N/A	N/A	FS-5324-8	U60 0800 EG	N/A	A-615-8"
<b>3-HOLE CLEVIS</b>									
G623	N/A	B595 ZN	N/A	N/A	N/A	N/A	N/A	N/A	N/A
<b>3-HOLE SUSPENSION CLEVIS</b>									
G624	N/A	B405 ZN	N/A	N/A	N/A	N/A	N/A	N/A	N/A
<b>4-HOLE SUSPENSION CLEVIS</b>									
G625	N/A	N/A	N/A	N/A	N/A	N/A	N/A	N/A	N/A
<b>3-HOLE "U" SUPPORT</b>									
G617	N/A	**B412 ZN (5-7/16 X 1-7/8)	N/A	**9SSUP537G (5-3/8 X 1-5/8)	**U10A0000EG (5-3/8 X 1-5/8)	N/A	N/A	N/A	N/A
<b>5-HOLE "U" SUPPORT</b>									
G618	N/A	B594	N/A	N/A	N/A	N/A	N/A	**G-4029 (5-3/8 X 1-5/8)	N/A
<b>CLOSURE STRIPS</b>									
GCLPL	N/A	B217P	N/A	N/A	CL10000PS	N/A	N/A	N/A	N/A
GCLPG	AS 6151 PL	B217-20GALV	N/A	N/A	CL10000EG	FS-6500-GALV	FS 6518 CS-10 GAL	G-9090	C-900 PG
<b>SINGLE POST BASE - DIAGONAL (7 HOLE)</b>									
G619	AS 3013 EG	B279 ZN	N/A	9SPB07162G	P10000EG	FS-5813	P12 0000EG	G-5101	B-619
G619A	AS 3029 EG	B281A ZN	N/A	N/A	N/A	FS-5815	P18 0000EG	G-5109	B-619A
G619FL	AS 3013 FL	B279FL ZN	N/A	N/A	N/A	N/A	N/A	N/A	B-619-FL
G619AFL	N/A	B281AFL ZN	N/A	N/A	N/A	N/A	N/A	N/A	**B-619A-FL (8 X 3-1/8 X 1-5/8)
G619ASQ	AS 3029 EG	B281ASQ ZN	N/A	N/A	N/A	N/A	N/A	N/A	B-619A-SQ
G619SQ	AS 3013SQ EG	B279SQ ZN	N/A	N/A	N/A	FS-5813	P22 0000EG	N/A	B-619-SQ
<b>SINGLE POST BASE DIAGONAL</b>									
G620	AS 3033 EG	B280 ZN	N/A	9SPB10350G	P110000EG	FS-5814	P13 0000EG	G-5105	B-620
<b>DOUBLE POST BASE DIAGONAL</b>									
G620A	AS 3064 SQ EG	B281 ZN	N/A	N/A	P130000EG	FS-5816	P19 0000EG	G-5113	B-620-A
G620FL1	N/A	N/A	N/A	N/A	N/A	N/A	N/A	N/A	N/A
<b>DOUBLE FLUSHED POST BASE</b>									
G620AFL	AS 2064 EG	B281FL ZN	N/A	N/A	N/A	N/A	N/A	N/A	N/A
<b>SINGLE FLUSHED POST BASE</b>									
G620FL	N/A	**B280FL ZN (8 X 3-1/8 X 3-1/2)	N/A	N/A	N/A	N/A	**P11 (6 X 4 X 3-1/2)	N/A	N/A
<b>DOUBLE SQUARED POST BASE</b>									
G620ASQ	N/A	B281SQ ZN	N/A	N/A	N/A	FS-5816SQ	P20 0000EG	N/A	B-620-A-SQ
<b>SINGLE SQUARED POST BASE</b>									
G620SQ	N/A	B280SQ ZN	N/A	N/A	N/A	N/A	P14 0000EG	N/A	B-620-SQ
<b>BEAM CLAMP PIERCED</b>									
G401	N/A	B314	N/A	N/A	N/A	FS-5702	BC40 0000EG	G-6012	C-401-1

(GREGORY) G-STRUT	(PHD MFG) PHD STRUT	(TYCO / ALLIED) POWER-STRUT	(POWER-UTILITY PRODUCTS) PUPCO	(SASCO) SASCO STRUT	(THOMAS & BETTS) SUPER-STRUT	(TOLCO) TOL-STRUT	(TYCO) UNI-STRUT	(UNITRON) U.S. STRUT	(VERSABAR CORP) VERSABAR	WESANCO WESTRUT
<b>2-HOLE STRAIGHT TUBING BRACE</b>										
GTB6081	5430	N/A	N/A	N/A	N/A	N/A	N/A	N/A	N/A	N/A
GTB6082	5431	N/A	N/A	N/A	N/A	N/A	N/A	N/A	N/A	N/A
GTB6083	5432	N/A	N/A	N/A	N/A	N/A	N/A	N/A	N/A	N/A
GTB6084	5433	N/A	N/A	N/A	N/A	N/A	P2459-36	N/A	N/A	N/A
GTB6085	5434	N/A	N/A	N/A	N/A	N/A	P2459-42	N/A	N/A	N/A
GTB6086	5435	N/A	N/A	N/A	N/A	N/A	P2459-48	N/A	N/A	N/A
GTB6087	5436	N/A	N/A	N/A	N/A	N/A	P2459-54	N/A	N/A	N/A
GTB6088	5437	N/A	N/A	N/A	N/A	N/A	P2459-60	N/A	N/A	N/A
GTB6089	5438	N/A	N/A	N/A	N/A	N/A	P2459-72	N/A	N/A	N/A
GTB60810	5439	N/A	N/A	N/A	N/A	N/A	P2459-84	N/A	N/A	N/A
GTB60811	5440	N/A	N/A	N/A	N/A	N/A	P2459-96	N/A	N/A	N/A
<b>5-HOLE "U" SUPPORT</b>										
G6091	N/A	N/A	N/A	S424U-HG	N/A	N/A	N/A	UU105	N/A	N/A
G6092	N/A	PS 613	UF-AS613 EG	S421U-HG	A-210 EG	N/A	P1047	UU104	VF-6402	W-5312
G6094	N/A	N/A	N/A	S420U-HG	N/A	N/A	N/A	UU102	N/A	N/A
G6095	N/A	N/A	N/A	S419U-HG	N/A	N/A	N/A	UU101	N/A	N/A
<b>DOUBLE 1 5/8" CHANNEL "U" SUPPORT</b>										
G610	5521	PS 721	UF-AS721 EG	N/A	A-212 EG	N/A	P1043A	UU200	N/A	W-5317
<b>VERTICAL 1 5/8" CHANNEL "U" SUPPORT</b>										
G611	5840	**PS 2528 (3-3/4 X 1-5/8)	**UF-AS2528 EG (3-3/4 X 1-5/8)	N/A	**TS-272 EG (3-3/4 X 1-5/8)	N/A	**P1834 (3-3/4 X 1-5/8)	N/A	**VF-7101 (3-3/4 X 1-5/8)	**W-6604 (3-3/4 X 1-5/8)
<b>TROLLEY BEAM JOINT SUPPORT</b>										
G6111	5845	**PS 2528 (3-3/4 X 3-1/2)	**UF-AS2528-1 EG (3-3/4 X 3-1/2)	N/A	**TS-273 EG (3-3/4 X 3-1/2)	N/A	**P1834A (3-3/4 X 3-1/2)	N/A	**VF-7101A (3-3/4 X 3-1/2)	**W-6603 (3-3/4 X 3-1/2)
<b>INTERSECTING 1 5/8" CHANNEL "U" SUPPORT</b>										
G613	N/A	N/A	N/A	N/A	N/A	N/A	N/A	N/A	N/A	N/A
<b>2-HOLE CLEVIS</b>										
G6221	5750	N/A	N/A	N/A	N/A	N/A	N/A	N/A	N/A	N/A
G6222	5751	N/A	N/A	N/A	N/A	N/A	N/A	N/A	N/A	N/A
G6223	5752	N/A	N/A	N/A	N/A	N/A	N/A	N/A	N/A	N/A
G6224	5760	PS 993 4"	UF U60 0400EG	S402U-HG	N/A	N/A	P1363A	UU500	VF-5203A	W-5324
G6225	5761	PS 993 5"	UF U60 0500EG	S403U-HG	N/A	N/A	P1363B	UU501	VF-5203B	W-5325
G6226	5762	PS 993 6"	UF U60 0600EG	S404U-HG	N/A	N/A	P1363C	UU502	VF-5203C	W-5326
G6227	5763	PS 993 7"	UF U60 0700EG	S405U-HG	N/A	N/A	P1363D	UU503	VF-5203D	W-5327
G6228	5764	PS 993 8"	UF U60 0800EG	S406U-HG	N/A	N/A	P1363E	UU504	VF-5203E	N/A
<b>3-HOLE CLEVIS</b>										
G623	5770	N/A	N/A	N/A	N/A	N/A	N/A	N/A	**VF-5401A (3-9/32 X 1-7/8)	N/A
<b>3-HOLE SUSPENSION CLEVIS</b>										
G624	5775	N/A	N/A	N/A	N/A	N/A	N/A	N/A	N/A	N/A
<b>4-HOLE SUSPENSION CLEVIS</b>										
G625	N/A	N/A	N/A	N/A	N/A	N/A	N/A	N/A	N/A	N/A
<b>3-HOLE "U" SUPPORT</b>										
G617	5513	PS 2119	N/A	N/A	N/A	N/A	P1383	N/A	VF-2206	N/A
<b>5-HOLE "U" SUPPORT</b>										
G618	N/A	N/A	N/A	N/A	N/A	N/A	N/A	N/A	N/A	N/A
<b>CLOSURE STRIPS</b>										
GCLPL	N/A	PS 6151	N/A	N/A	N/A	CL-01 ?	N/A	N/A	N/A	W-6547
GCLPG	4500 PG	N/A	N/A	S158CS-G	SPAB-844-PC	N/A	P3184 EA	USC100	VA-9	W-6565
<b>SINGLE POST BASE - DIAGONAL (7 HOLE)</b>										
G619	6005	PS 3013	PB-AS3013 PG	N/A	AP-231 EG	P-10	P2072	UPB100	VF-9601A	W-5813
<b>DOUBLE POST BASE - DIAGONAL (8 HOLE)</b>										
G619A	6035	PS 3029	PB-AS3029 PG	N/A	AP-234 EG	P-12	P2073	UBP200	VF-9602A	W-5815
<b>SINGLE FLUSHED POST BASE (5 HOLE)</b>										
G619FL	6015	N/A	N/A	N/A	AP-231-FL EG	P-10F	N/A	UPB103	VF-9601A-FL	N/A
<b>DOUBLE FLUSHED POST BASE (6-HOLE)</b>										
G619AFL	**6045 (8 X 1-5/8 X 3-1/8)	N/A	N/A	N/A	AP-234-FL EG	P-12F	N/A	N/A	**VF-9602A-FL (8 X 1-5/8 X 3-1/8)	N/A
<b>DOUBLE SQUARED POST BASE (8 HOLE)</b>										
G619ASQ	6040	N/A	N/A	N/A	AP-232-SQ EG	P-12SQ	P2073 SQ	N/A	VF-9601A-SQ	N/A
<b>SINGLE SQUARED POST BASE (7 HOLE)</b>										
G619SQ	6010	PS 3013 SQ	N/A	N/A	AP-231-SQ EG	P-10SQ	P2072 SQ	N/A	VF-9602A-SQ	N/A
<b>SINGLE POST BASE DIAGONAL</b>										
G620	6020	PS 3033	PB-AS3033 PG	N/A	AP-232 EG	P-11	P2072A	UBP101	VF-9601	W-5814
<b>DOUBLE POST BASE DIAGONAL</b>										
G620A	6050	PS 3064	PB-AS3064 PG	N/A	AP-235 EG	P-13	P2073A	N/A	VF-9602	W-5816
G620FL1	N/A	N/A	N/A	N/A	N/A	N/A	N/A	N/A	N/A	N/A
<b>DOUBLE FLUSHED POST BASE</b>										
G620AFL	N/A	PS-2064	N/A	N/A	AP-235-FL EG	N/A	N/A	N/A	N/A	N/A
<b>SINGLE FLUSHED POST BASE</b>										
G620FL	**6030 (8 X 3-1/8 X 3-1/2)	PS 3025 FL	N/A	N/A	AP-232-FL EG	**P-11F (8 X 3-1/8 X 3-1/2)	P2941	UPB104	**VF-9601-FL (8 X 3-1/8 X 3-1/2)	N/A
<b>DOUBLE SQUARED POST BASE</b>										
G620ASQ-	**6060 (6 X 4-1/2 X 3-1/2)	N/A	PB-AS3064SQ PG	**S500PB-HG (6X6X3-1/2)	AP-235-SQ EG	*P-13SQ (6 X 4-1/4 X 3-1/2)	P2073A SQ	N/A	N/A	W-5816SQ
<b>SINGLE SQUARED POST BASE</b>										
G620SQ	6025	PS 3033 SQ	PB-AS3033SQ PG	S501PB-HG	AP-232-SQ EG	P-11SQ	P2072A SQ	UPB101-SQ	VF-9601-SQ	W-5814SW
<b>BEAM CLAMP PIERCED</b>										
G401	N/A	PS 855	BC-AS855 PG	S938BC-EG	A-597	BC-16-A	P1796S	N/A	N/A	N/A

CROSS  
REFERENCE

(GREGORY) G-STRUT	(ANVIL INTERNATIONAL) ANVIL STRUT	(COOPER) B-LINE	(CULLY) MINERALLAC	(ELITE) ELITE COMPONENTS	(ERICO) ERI-STRUT	(FLEX STRUT) FLEX STRUT	(FLORIDA STRUT) FLORIDA STRUT	(GS METALS) GLOBE STRUT	(HAYDON) H-STRUT
<b>U-BOLT BEAM CLAMP</b>									
G402	AS 2651 T1 EG	B441-22 ZN	N/A	9SBC337G	BC17A000EG	FS-5709	**BC61 0000EG (3 1/4)	G-6030	C-402-132
G4021	AS 2651 T2 EG	B441-22A ZN	N/A	9SBC500G	BC17D000EG	FS-5708	N/A	G-6031	C-402-122
G4028	N/A	N/A	N/A	N/A	N/A	N/A	N/A	N/A	N/A
<b>SINGLE BOLT SLOT HOLD BEAM CLAMP</b>									
G403	N/A	B355 ZN	N/A	N/A	N/A	FS-5713 (1-5/8) ?	N/A	N/A	N/A
<b>BUTRESSED BEAM CLAMP</b>									
G4053/8		N/A							
G4051/2			N/A	N/A	N/A	FS5718-1/2	N/A		N/A
<b>FLANGE CONTACT BEAM CLAMP</b>									
G406	AS 685 EG	B211 ZN	N/A	N/A	N/A	FS-5712	N/A	N/A	N/A
G407	N/A	B427 (2 X 1-1/2)	N/A	N/A	N/A	**FS-5714 (2 X 1-1/2)	N/A	N/A	N/A
G4071	AS 684 EG	N/A	N/A	N/A	N/A	N/A	N/A	N/A	N/A
<b>FLANGE CONTACT END INSERT CLAMP - PARALLEL</b>									
G4081/4	N/A	B212-3/8 ZN	N/A	N/A	N/A	**FS5715 (1-1/4 X 2)	N/A	G-6038	N/A
G4083/8	N/A	N/A	N/A	N/A	N/A	**FS5716 (1-1/4 X 1-1/8)	N/A	N/A	N/A
G4082	N/A	B212-1/4	N/A	N/A	N/A	**FS5717 (1-1/4 X 2-7/8)	N/A	N/A	N/A
<b>BEAM CLAMP</b>									
G4101	N/A	N/A	N/A	N/A	BC130025EG	N/A	N/A	N/A	N/A
G4102	AS 858 EG 1/4" X 20"	B303 ZN	N/A	N/A	N/A	FS-5721	N/A	G-6070	C-410-1
G4103	AS 858 EG 5/16" X 18"	B304 ZN	N/A	N/A	BC130031EG	FS-5722	N/A	N/A	C-410-2
G4104	AS 858 EG 3/8" X 16"	B305 ZN	N/A	N/A	BC130037EG	FS-5723	BC160037EG	G-6071	C-410-3
G4105	AS 858 EG 3/8" X 16"	B306 ZN	N/A	PSBC162G	N/A	FS-5724	N/A	G-6072	C-410-4
G4106	AS 858 EG 1/2" X 13"	B307 ZN	N/A	N/A	BC130050EG	FS-5725	BC160050EG	G-6073	C-410-5
G4107	AS 858 EG 1/2" X 13"	B308 ZN	N/A	N/A	N/A	FS-5726	N/A	G-6074	C-410-6
G4108	AS 858 EG 5/8" X 11"	B309 ZN	N/A	N/A	BC130062EG	FS-5727	BC160062EG	N/A	C-410-7
G4109	AS 858 EG 5/8" X 11"	N/A	N/A	N/A	N/A	FS-5728	N/A	N/A	C-410-8
G4111	AS 865 EG 3/8" X 16"	B321-1 ZN	N/A	N/A	2800037EG	FS-5734	N/A	N/A	C-411-2
G4112	AS 865 EG 1/2" X 13"	B321-2 ZN	N/A	N/A	2800050EG	FS-5736	BC150037EG	G-6078	C-411-3
G4113	N/A	B321-3 ZN	N/A	N/A	2800062EG	N/A	BC150050EG	G-6079	N/A
<b>ROD OR INSULATOR SUPPORT</b>									
G41213/8	AS 85 EG 3/8	B444-3/8 ZN	N/A	N/A	N/A	FS-5718-3/8	BC900037EG	N/A	C-440-3/8
G412 21/2	AS 85 EG 1/2	B444-1/2 ZN	N/A	N/A	N/A	FS5718-1/2	BC900050EG	N/A	C-440-1/2
<b>WIDE MOUTH BEAM CLAMP</b>									
G4133/8		B3033-3/8 ZN	702	N/A	N/A	FS-5734	BC170037EG	N/A	C-430-1
G41321/2		B3033-1/2 ZN	703	N/A	N/A	FS-5736	BC170050EG	N/A	C-430-2
G41335/8		B3033-5/8 ZN	N/A	N/A	N/A	N/A	N/A	N/A	C-430-3
G41343/4		B3033-3/4 ZN	N/A	N/A	N/A	N/A	N/A	N/A	C-430-4
G41357/8		N/A	N/A	N/A	N/A	N/A	N/A	N/A	N/A
<b>SMALL MOUTH BEAM CLAMP (Plain Finish)</b>									
G41411/4		N/A	N/A	N/A	N/A	N/A	N/A	N/A	N/A
G41423/8		B3034-3/8 ZN	N/A	N/A	N/A	FS5710-3/8	N/A	N/A	C-420-1
G41431/2		B3034-1/2 ZN	N/A	N/A	N/A	FS5710-1/2	N/A	N/A	C-420-2
<b>SMALL MOUTH REVERSIBLE BEAM CLAMPS</b>									
G415		N/A	N/A	N/A	N/A	N/A	N/A	N/A	N/A
<b>STAIR SUPPORT</b>									
GM601	AS 2422 37 1/2 HG	B562 ZN	N/A	N/A	N/A	N/A	N/A	**G-5097 (37)	M-601
GM602	AS 2421 45 HG	B560 ZN	N/A	N/A	N/A	N/A	N/A	G-5092	M-602
<b>LADDER RUNG</b>									
GM6101	AS 2401 HG	B411-12 ZN	N/A	N/A	N/A	N/A	N/A	N/A	M-610-1
GM6102	AS 2402 HG	B411-15 ZN	N/A	N/A	N/A	N/A	N/A	N/A	M-610-2
GM6103	AS 2403 HG	B411-18 ZN	N/A	N/A	N/A	N/A	N/A	N/A	M-610-3
<b>WALL BRACKET</b>									
GM6111	AS 2404 HG	B381 ZN	N/A	N/A	N/A	N/A	N/A	N/A	M-611-1
GM6112	AS 2405 HG	B382 ZN	N/A	N/A	N/A	N/A	N/A	N/A	M-611-2
GM6113	AS 2406 HG	B383 ZN	N/A	N/A	N/A	N/A	N/A	N/A	M-611-3
GM6114	AS 2407 HG	N/A	N/A	N/A	N/A	N/A	N/A	N/A	M-611-4
GM6115	AS 2408 HG	N/A	N/A	N/A	N/A	N/A	N/A	N/A	M-611-5
<b>SINGLE CHANNEL FLAT PLATE BRACKET</b>									
GT6121	AS 651 EG 6"	B409-6 ZN	N/A	N/A	BR220600EG	FS-5636-6	BR400600EG	**G-5029 (4-3/4 X 6)	T-610-6" PG
GT6122	AS 651 EG 12"	B409-12 ZN	N/A	N/A	BR221200EG	FS-5636-12	BR401200EG	**G-5030 (4-3/4 X 12)	T-610-12" PG
GT6123	AS 651 EG 18"	B409-18 ZN	N/A	N/A	BR221800EG	FS-5636-18	BR401800EG	**G-5031 (4-3/4 X 18)	T-610-18" PG
GT6124	AS 651 EG 24"	B409-24 ZN	N/A	N/A	BR222400EG	FS-5636-24	BR402400EG	**G-5032 (4-3/4 X 24)	T-610-24" PG
<b>BRACKET</b>									
GT613	N/A	B293-6 ZN	N/A	N/A	N/A	N/A	N/A	N/A	N/A
GT6131	N/A	B293-12 ZN	N/A	N/A	N/A	N/A	N/A	N/A	N/A
GT615	AS 708 EG	N/A	N/A	N/A	N/A	**FS-5651 (5-7/8 X 4-3/4)	**BR30 0000EG (5-5/8 X 4-7/8)	**G-5081 (5-29/32 X 4-3/4)	N/A
<b>DOUBLE CHANNEL BRACKET SUPPORT</b>									
GT616	AS 3164 EG	N/A	N/A	N/A	N/A	FS-5650	**BR31 0000EG (8 X 4-1/2)	**G-5082 (7-17/32 X 4-3/4)	N/A
<b>WRAP AROUND CHANNEL BRACKET</b>									
GT6171	N/A	B196-18 ZN	N/A	N/A	N/A	FS-5635-18	BR411800EG	G-5021	N/A
GT6172	N/A	B196-24 ZN	N/A	N/A	N/A	FS-5635-24	BR412400EG	G-5022	N/A
<b>INTERLOCKING CHANNEL BRACKET (SLOT UP)</b>									
GT6181	N/A	N/A	N/A	N/A	N/A	FS-5631-6	**BR430600EG (3-5/8 X 6)	N/A	N/A
GT6182	N/A	N/A	N/A	N/A	N/A	FS-5631-12	**BR431200EG (3-5/8 X 12)	N/A	N/A



(GREGORY) G-STRUT	(PHD MFG) PHD STRUT	(TYCO / ALLIED) POWER-STRUT	(POWER-UTILITY PRODUCTS) PUPCO	(SASCO) SASCO STRUT	(THOMAS & BETTS) SUPER-STRUT	(TOLCO) TOL-STRUT	(TYCO) UNI-STRUT	(UNITRON) U.S. STRUT	(VERSABAR CORP) VERSABAR	WESANCO WESTRUT
<b>U-BOLT BEAM CLAMP</b>										
G402	7070	PS 2651 T1	N/A	N/A	U-501 EG (3-3/16)	BC-17	P2785	UBC200	N/A	N/A
G4021	7075	PS 2651 T2	N/A	N/A	U-502 EG (4-13/16)		P2786	UBC201	N/A	N/A
G4028	N/A	N/A	N/A	N/A	N/A		P2787	N/A	N/A	N/A
<b>SINGLE BOLT SLOT HOLD BEAM CLAMP</b>										
G403	7040	**PS 686 (1-7/8)	N/A	N/A	N/A	N/A	N/A	UBC100	N/A	N/A
<b>BUTTRESSED BEAM CLAMP</b>										
G4053/8					N/A	N/A	N/A	N/A		N/A
G4051/2					N/A	N/A	N/A	N/A		N/A
<b>FLANGE CONTACT BEAM CLAMP</b>										
G406	7030	PS 685	N/A	N/A	N/A	BC-21	P1379S	UBC101	VX-7106-A	W-5712
G407	7020	N/A	N/A	N/A	N/A	N/A	N/A	N/A	N/A	N/A
G4071	7025	N/A	N/A	N/A	N/A	N/A	N/A	N/A	N/A	N/A
<b>FLANGE CONTACT END INSERT CLAMP - PARALLEL</b>										
G4081/4	7011	**PS-907 (1-1/4 X 1-3/16)	N/A	N/A	U-514-EG	N/A	P1272S	N/A	N/A	W-5717
G4083/8	7012	**PS-998 (1-1/4 X 1-3/16)	N/A	N/A	N/A	N/A	P1985S	N/A	N/A	N/A
G4082	N/A	N/A	**BCAS907 PG (1 X 2)	N/A	N/A	N/A	N/A	N/A	N/A	N/A
<b>BEAM CLAMP</b>										
G4101	N/A	N/A	N/A	N/A	U-560-1/4 EG	N/A	N/A	N/A	N/A	N/A
G4102	7005	PS 858 1/4	N/A	N/A	U-560-5/16 EG	BC-13 1/4" - 20	P1648S	UMBC-14Z	VX-7011-A	W-5721
G4103	N/A	PS 858 5/16	N/A	N/A	U-560-3/8 EG	BC-13 5/16" - 18	P1649S	N/A	VX-7012-A	W-5722
G4104	7006	N/A	BC-AS858L-3/8	N/A	U-560-3/8 EG	BC-13 3/8" - 16	P1649AS	UMBC-38Z	VX-7013-A	W-5723
G4105	7007	PS 858 3/8	N/A	N/A	U-560-1/2 EG	N/A	P1650S	N/A	VX-7014-A	W-5724
G4106	N/A	N/A	BC-AS858L-1/2	N/A	U-560-1/2 EG	BC-13 1/2" - 13	P1650AS	UMBC-12Z	VX-7015-A	W-5725
G4107	N/A	PS-858-1/2	N/A	N/A	U-560-5/8 EG	N/A	P1651S	N/A	VX-7016-A	W-5726
G4108	N/A	N/A	N/A	N/A	U-560-5/8 EG	BC-13 5/8" - 11	P1651AS	N/A	VX-7017-A	W-5727
G4109	N/A	PS-858-5/8	N/A	N/A	U-560-3/4 EG	N/A	P1652S	N/A	VX-7018-A	W-5728
G4111	N/A	PS 865 3/8	BC-AS865-3/8	N/A	U-564-3/8EG	N/A	P2401S	N/A	VX-7004-A	W-5718
G4112	N/A	PS 865 1/2	BC-AS865-1/2	N/A	U-564-1/2EG	N/A	P2403S	N/A	VX-7006-A	W-5719
G4113	N/A	PS 865 5/8	N/A	N/A	N/A	N/A	P2405S	N/A	VX-7008-A	N/A
<b>ROD OR INSULATOR SUPPORT</b>										
G41213/8	N/A	N/A	BC-500 3/8	N/A	N/A	N/A	P2894-37	N/A	N/A	N/A
G41221/2	N/A	N/A	BC-500 1/2	N/A	N/A	N/A	P2894-50	N/A	N/A	N/A
<b>WIDE MOUTH BEAM CLAMP</b>										
G41313/8	N/A	N/A	BC-FIG.61 3/8 PG	N/A	M-778-3/8 EG	N/A	P2899-37	N/A	N/A	W-5733
G41321/2	N/A	N/A	BC-FIG.61 1/2 PG	N/A	M-778-1/2 EG	N/A	P2899-50	N/A	N/A	W-5735
G41335/8	N/A	PS 94 5/8	BC-FIG.61 5/8 PG	N/A	M-778-5/8 EG	N/A	P2899-62	N/A	N/A	W-5737
G41343/4	N/A	PS 94 3/4	BC-FIG.61 3/4 PG	N/A	M-778-3/4 EG	N/A	P2899-75	N/A	N/A	W-5739
G41357/8	N/A	N/A	BC-FIG.61 7/8 PG	N/A	N/A	N/A	N/A	N/A	N/A	N/A
<b>SMALL MOUTH BEAM CLAMP (Plain Finish)</b>										
G41411/4	N/A	N/A	BC-AS858 3/8	N/A	N/A	N/A	P2898-37	N/A	N/A	N/A
G41423/8	7001	N/A	BC-AS858 1/2	N/A	M-777-3/8 EG	N/A	N/A	N/A	N/A	N/A
G41431/2	7002	N/A	BC-AS858 5/8	N/A	M-777-1/2 EG	N/A	P2898-50	N/A	N/A	N/A
<b>SMALL MOUTH REVERSIBLE BEAM CLAMPS</b>										
G415	N/A	N/A	N/A	N/A	N/A	N/A	N/A	N/A	N/A	N/A
<b>STAIR SUPPORT</b>										
GM601	5861	PS 2422	N/A	N/A	N/A	N/A	P2655	N/A	VF-7045 37-1/2	N/A
GM602	5860	PS 2421	N/A	N/A	N/A	N/A	P1944	N/A	VF-7045 45	N/A
<b>LADDER RUNG</b>										
GM6101	5825	PS 2401	N/A	N/A	N/A	N/A	P1201	N/A	VF-6108	N/A
GM6102	5826	PS 2402	N/A	N/A	N/A	N/A	P1202	N/A	VF-6109	N/A
GM6103	5827	PS 2403	N/A	N/A	N/A	N/A	P1203	N/A	VF-6110	N/A
<b>WALL BRACKET</b>										
GM6111	5830	PS 2404	N/A	S780-6HG	AN-270-1 EG	N/A	P1204	N/A	VF-6111	N/A
GM6112	5831	PS 2405	N/A	S780-8HG	AN-270-2 EG	N/A	P1205	N/A	VF-6112	N/A
GM6113	5832	PS 2406	N/A	S780-10HG	AN-270-3 EG	N/A	P1206	N/A	VF-6113	N/A
GM6114	5833	PS 2407	N/A	S780-12HG	AN-270-4 EG	N/A	P1207	N/A	VF-6114	N/A
GM6115	5834	PS 2408	N/A	S780-14HG	AN-270-5 EG	N/A	P1208	N/A	VF-6115	N/A
<b>SINGLE CHANNEL FLAT PLATE BRACKET</b>										
GT6121	6130	**PS 651 (4-5/8 X 6)	BR-AS651-6	N/A	S250 6 EG	**BR-22-6 (4-7/8 X 6)	P2944	N/A	**VB-1060-FP (5-3/8 X 6)	N/A
GT6122	6132	**PS 651 (4-5/8 X 12)	BR-AS651-12	N/A	S250-12 EG	**BR-22-12 (4-7/8 X 12)	P2945	N/A	**VB-1120-FP (5-3/8 X 8)	N/A
GT6123	6134	**PS 651 (4-5/8 X 18)	BR-AS651-18	N/A	S250-18 EG	**BR-22-18 (4-7/8 X 18)	P2946	N/A	**VB-1180-FP (5-3/8 X 10)	N/A
GT6124	6135	**PS 651 (4-5/8 X 24)	BR-AS651-24	N/A	S250-24 EG	**BR-22-24 (4-7/8 X 24)	P2947	N/A	**VB-1240-FP (5-3/8 X 12)	N/A
<b>BRACKET</b>										
GT613	N/A	PS 661 T1 6	N/A	N/A	N/A	N/A	N/A	N/A	N/A	N/A
GT6131	N/A	PS 661 T1 12	N/A	N/A	N/A	N/A	N/A	N/A	N/A	N/A
GT615	6305	PS 708	**BR-AS708 (5-5/8 X 4-7/8)	N/A	S247 EG	BR-13	P1075	N/A	VF-7301	W-5651
<b>DOUBLE CHANNEL BRACKET SUPPORT</b>										
GT616	6310	PS 3164	**BR-AS3164 (8 X 4-1/2)	N/A	S248 EG	BR-14	P1593	N/A	VF-7301-B	W-5650
<b>WRAP AROUND CHANNEL BRACKET</b>										
GT6171	6246	PS 661 T2 18	BR-AS661-18	N/A	N/A	N/A	P2233	N/A	VB-1180	W-5647
GT6172	6248	PS 661 T2 24	BR-AS661-24	N/A	N/A	N/A	P2234	N/A	VB-1240	W-5648
<b>INTERLOCKING CHANNEL BRACKET (SLOT UP)</b>										
GT6181	6202	**PS 808 T1 (3-3/4 X 6)	BR-AS808T1 6	N/A	S256 6 EG	BR-18 - 6	**P2513 (3-3/4 X 6)	N/A	VB-1060-X	W-5631
GT6182	6204	**PS 808 T1 (3-3/4 X 12)	BR-AS808T1 12	N/A	S256 12 EG	BR-18 - 12	**P2514 (3-3/4 X 12)	N/A	VB-1120-X	W-5632



(GREGORY) G-STRUT	(ANVIL INTERNATIONAL) ANVIL STRUT	(COOPER) B-LINE	(CULLY) MINERALLAC	(ELITE) ELITE COMPONENTS	(ERICO) ERI-STRUT	(FLEX STRUT) FLEX STRUT	(FLORIDA STRUT) FLORIDA STRUT	(GS METALS) GLOBE STRUT	(HAYDON) H-STRUT
<b>INTERLOCKING CHANNEL BRACKET (SLOT UP)</b>									
GT6183	N/A	N/A	N/A	N/A	N/A	FS-5631-18	**BR431800EG (3-5/8 X 18)	N/A	N/A
GT6184	N/A	N/A	N/A	N/A	N/A	FS-5631-24	**BR432400EG (3-5/8 X 24)	N/A	N/A
<b>INTERLOCKING CHANNEL BRACKET (SLOT DOWN)</b>									
GT6181	N/A	N/A	N/A	N/A	N/A	FS-5632-6	**BR440600EG (3 5/8 X 6)	N/A	N/A
GT6182	N/A	N/A	N/A	N/A	N/A	FS-5632-12	**BR441200EG (3 5/8 X 12)	N/A	N/A
GT6183	N/A	N/A	N/A	N/A	N/A	FS-5632-18	**BR441800EG (3 5/8 X 18)	N/A	N/A
GT6184	N/A	N/A	N/A	N/A	N/A	FS-5632-24	**BR442400EG (3 5/8 X 24)	N/A	N/A
<b>SHELF BRACKET</b>									
GT6191	N/A	N/A	N/A	N/A	N/A	FS-5639 8-1/2	BR200850EG	N/A	T-630-1
GT6192	N/A	B541	N/A	N/A	N/A	FS-5639 10-1/2	BR201050EG	N/A	T-630-2
GT6193	N/A	N/A	N/A	N/A	N/A	FS-5639 12-1/2	BR211250EG	N/A	T-630-3
GT6194	N/A	N/A	N/A	N/A	N/A	FS-5639 14-1/2	BR211450EG	N/A	T-630-4
<b>SHELF SUPPORTS</b>									
GT6206L	N/A	B184SH L ZN	N/A	N/A	N/A	FS-5600-6L	N/A	**G-5065L (6 X 2)	N/A
GT6206R	N/A	B184SH R ZN	N/A	N/A	N/A	FS-5600-6R	N/A	**G-5065R (6 X 2)	N/A
GT6208L	AS 838 LH EG (8 X 2-15/16)	B185SH L ZN	N/A	N/A	N/A	FS-5600-8L	BR8L0800EG	**G-5066L (8 X 2-3/8)	T-620/8-L (8 X 2-15/16)
GT6208R	AS 838 RH EG (8 X 2-15/16)	B185SH R ZN	N/A	N/A	N/A	FS-5600-8R	BR8R0800EG	**G-5066R (8 X 2-3/8)	T-620/8-R (8 X 2-15/16)
GT62010L	AS 838 LH EG 10 X 2-15/16	B186SH L ZN	N/A	N/A	N/A	FS-5600-10L	**BR8L1000EG (10 X 2-7/8)	**G-5067L (10 X 3)	T-620/10-L
GT62010R	AS 838 RH EG 10 X 2-15/16	B186SH R ZN	N/A	N/A	N/A	FS-5600-10R	**BR8R1000EG (10 X 2-7/8)	**G-5067R (10 X 3)	T-620/10-R
GT62112L	AS 838 LH EG 12" X 3-7/16"	B178SH L ZN	N/A	N/A	N/A	FS-5600-12L	BR8L1200EG	**G-5068L (12 X 3-3/4)	T-621/12-L
GT62112R	AS 838 RH EG 12" X 3-7/16"	B178SH R ZN	N/A	N/A	N/A	FS-5600-12R	BR8R1200EG	**G-5068R (12 X 3-3/4)	T-621/12-R
GT62114L	AS 838 LH EG 14 X 3-15/16	B179SH L ZN	N/A	N/A	N/A	FS-5600-14L	BR8L1400EG	**G-5069L (14 X 3-3/4)	T-621/14-L
GT62114R	AS 838 RH EG 14 X 3-15/16	B179SH R ZN	N/A	N/A	N/A	FS-5600-14R	BR8R1400EG	**G-5069R (14 X 3-3/4)	T-621/14-R
GT62116L	AS 838 LH EG 16 X 4-7/16	B180SH L ZN	N/A	N/A	N/A	FS-5600-16L	BR8L1600EG	**G-5070L (16 X 4-1/2)	T-621/16-L
GT62116R	AS 838 RH EG 16 X 4-7/16	B180SH R ZN	N/A	N/A	N/A	FS-5600-16R	BR8R1400EG	**G-5070R (16 X 4-1/2)	T-621/16-R
GT62118L	AS 838 LH EG 18 X 4-15/16	B181SH L ZN	N/A	N/A	N/A	FS-5600-18L	BR8L1800EG	**G-5071L (18 X 4-11/16)	T-621/18-L
GT62118R	AS 838 RH EG 18 X 4-15/16	B181SH R ZN	N/A	N/A	N/A	FS-5600-18R	BR8R1800EG	**G-5071R (18 X 4-11/16)	T-621/18-R
GT62120L	AS 838 LH EG 20 X 5-7/16	B182SH L ZN	N/A	N/A	N/A	FS-5600-20L	BR8L2000EG	**G-5072L (20 X 5-1/4)	T-621/20-L
GT62120R	AS 838 RH EG 20 X 5-7/16	B182SH R ZN	N/A	N/A	N/A	FS-5600-20R	BR8R2000EG	**G-5072R (20 X 5-1/4)	T-621/20-R
GT62122L	AS 838 LH EG 22 X 5-15/16	B183SH L ZN	N/A	N/A	N/A	FS-5600-22L	BR8L2200EG	N/A	T-621/22-L
GT62122R	AS 838 RH EG 22 X 5-15/16	B183SH R ZN	N/A	N/A	N/A	FS-5600-22R	BR8R2200EG	N/A	T-621/22-R
GT62224L	AS 838 LH EG 24 X 6-7/16	B174SH L ZN	N/A	N/A	N/A	FS-5600-24L	BR8L2400EG	**G-5073L (24 X 6-3/8)	T-622/24-L
GT62224R	AS 838 RH EG 24 X 6-7/16	B174SH R ZN	N/A	N/A	N/A	FS-5600-24R	BR8R2400EG	**G-5073R (24 X 6-3/8)	T-622/24-R
GT62226L	AS 838 LH EG 26 X 6-15/16	B175SH L ZN	N/A	N/A	N/A	FS-5600-26L	BR8L2600EG	N/A	T-622/26-L
GT62226R	AS 838 RH EG 26 X 6-15/16	B175SH R ZN	N/A	N/A	N/A	FS-5600-26R	BR8R2600EG	N/A	T-622/26-R
GT62228L	AS 838 LH EG 28 X 7-7/16	B176SH L ZN	N/A	N/A	N/A	FS-5600-28L	BR8L2800EG	N/A	T-622/28-L
GT62228R	AS 838 RH EG 28 X 7-7/16	B176SH R ZN	N/A	N/A	N/A	FS-5600-28R	BR8R2800EG	N/A	T-622/28-R
GT62230L	AS 838 LH EG 30 X 7-15/16	B177SH L ZN	N/A	N/A	N/A	FS-5600-30L	BR8L3000EG	**G-5074L (30 X 8)	T-622/30-L
GT62230R	AS 838 RH EG 30 X 7-15/16	B177SH R ZN	N/A	N/A	N/A	FS-5600-30R	BR8R3000EG	**G-5074R (30 X 8)	T-622/30-R
<b>SHELF BRACKET</b>									
GT6231	N/A	B290 ZN	N/A	N/A	N/A	FS-5639-16 1/2	BR221650EG	N/A	T-630-5
GT6232	N/A	B291 ZN	N/A	N/A	N/A	**FS-5639 18 (18 X 6)	BR221850EG	N/A	T-630-6
GT6233	N/A	B292 ZN	N/A	N/A	N/A	N/A	BR222050EG	N/A	T-630-7
<b>BRACED SINGLE BRACKET</b>									
GT6251	N/A	B494-12 ZN	N/A	N/A	N/A	FS-5638-12	BR451200EG	N/A	N/A
GT6252	N/A	B494-18 ZN	N/A	N/A	N/A	FS-5638-18	BR451800EG	N/A	N/A
GT6253	N/A	B494-24 ZN	N/A	N/A	N/A	FS-5638-24	BR452400EG	N/A	N/A
<b>CONDUIT CLAMPS-EMT</b>									
GC110037	AS 1000 EG 3/8	B2000 ZN	N/A	N/A	N/A	FS-1000-3/8	N/A	G-7101	C1100-3/8
GC110050	N/A	B2001 ZN	MSU050EG	N/A	N/A	N/A	N/A	N/A	N/A
GC110050ASMBL	AS 1000 EG 1/2	B2001 PA ZN	N/A	N/A	EMTC0200EG	FS-1000A-1/2	SCE 0050EG	G-7102AS	C1100-1/2AS
GC110075	N/A	B2002 ZN	MSU075EG	N/A	N/A	N/A	N/A	N/A	N/A
GC110075ASMBL	AS 1000 EG 3/4	B2002 PA ZN	N/A	N/A	EMTC0100EG	FS-1000A-3/4	SCE 0075EG	G-7103AS	C1100-3/4AS
GC110100	N/A	B2003 ZN	MSU100EG	N/A	N/A	N/A	N/A	N/A	N/A
GC110100ASMBL	AS 1000 EG 1	B2003 PA ZN	N/A	N/A	EMTC0125EG	FS-1000A-1	SCE 0100EG	G-7104AS	C1100-1AS
GC110125	N/A	B2004	MSU125EG	N/A	N/A	N/A	N/A	N/A	N/A
GC110125ASMBL	AS 1000 EG 1-1/4	B2004 PA ZN	N/A	N/A	EMTC0125EG	FS-1000A-1/4	SCE 0125EG	G-7105AS	C1100-1 1/4AS
GC110150	N/A	B2005	MSU150EG	N/A	N/A	N/A	N/A	N/A	N/A
GC110150ASMBL	AS 1000 EG 1-1/2	B2005 PA ZN	N/A	N/A	EMTC0150EG	FS-1000A-1-1/2	SCE 0150EG	G-7106AS	C1100-1 1/2AS
GC110200	N/A	B2006	MSU200EG	N/A	N/A	N/A	N/A	N/A	N/A
GC110200ASMBL	AS 1000 EG 2	B2006 PA ZN	N/A	N/A	EMTC0200EG	FS-1000A-2	SCE 0200EG	G-7107AS	C1100-2AS
<b>CONDUIT CLAMPS-STANDARD-RIGID</b>									
GC112037	AS 1100 EG 3/8	B2001 ZN	N/A	9SRC0037G	N/A	FS-1100-3/8	SCR 0037EG	G-7001	C1102-3/8
GC112050	N/A	B2008 ZN	N/A	9SRC0050G	N/A	N/A	N/A	N/A	N/A
GC112050ASMBL	AS 1100 EG 1/2	B2008 PA ZN	N/A	N/A	N/A	FS-1100A-1/2	SCR 0050EG	G-7002AS	C1102-1/2AS
GC112075	N/A	B2009 ZN	N/A	9SRC0075G	N/A	N/A	N/A	N/A	N/A
GC112075ASMBL	AS 1100 EG 3/4	B2009 PA ZN	N/A	N/A	N/A	FS-1100A-3/4	SCR 0075EG	G-7003AS	C1102-3/4AS
GC112100	N/A	B2010 ZN	N/A	9SRC0100G	N/A	N/A	N/A	N/A	N/A
GC112100ASMBL	AS 1100 EG 1	B2010 PA ZN	N/A	N/A	N/A	FS-1100A-1	SCR 0100EG	G-7004AS	C1102-1AS
GC112125	N/A	B2011 ZN	N/A	9SRC0125G	N/A	N/A	N/A	N/A	N/A
GC112125ASMBL	AS 1100 EG 1-1/4	B2011 PA ZN	N/A	N/A	N/A	FS-1100A-1-1/4	SCR 0125EG	G-7005AS	C1102-1 1/4AS
GC112150	N/A	B2012 ZN	N/A	9SRC0150G	N/A	N/A	N/A	N/A	N/A
GC112150ASMBL	AS 1100 EG 1-1/2	B2012 PA ZN	N/A	N/A	N/A	FS-1100A-1-1/2	SCR 0150EG	G-7006AS	C1102-1 1/2AS
GC112200	N/A	B2013 ZN	N/A	9SRC0200G	N/A	N/A	N/A	N/A	N/A

CROSS REFERENCE

(GREGORY) G-STRUT	(PHD MF6) PHD STRUT	(TYCO / ALLIED) POWER-STRUT	(POWER-UTILITY PRODUCTS) PUPCO	(SASCO) SASCO STRUT	(THOMAS & BETTS) SUPER-STRUT	(TOLCO) TOL-STRUT	(TYCO) UNI-STRUT	(UNITRON) U.S. STRUT	(VERSABAR CORP) VERSABAR	WESANCO WESTRUT
<b>INTERLOCKING CHANNEL BRACKET (SLOT UP)</b>										
GT6183	6206	**PS 808 T1 (3-3/4 X 18)	BR-AS808T1 18	N/A	S256 18 EG	BR-18 - 18	**P2515 (3-3/4 X 18)	N/A	VB-1180-X	W-5633
GT6184	6208	**PS 808 T1 (3-3/4 X 24)	BR-AS808T1 24	N/A	S256 24 EG	BR-18 - 24	**P2516 (3-3/4 X 24)	N/A	VB-1240-X	W-5634
<b>INTERLOCKING CHANNEL BRACKET (SLOT DOWN)</b>										
GT6181	6212	**PS 808 T2 (3-3/4 x 6)	BR-AS808T2 6	N/A	N/A	BR-18 - 6	**P2513A (3-3/4 X 6)	N/A	VB-1060-XD	W-5635
GT6182	6214	**PS 808 T2 (3-3/4 x 12)	BR-AS808T2 12	N/A	N/A	BR-18 - 12	**P2514A (3-3/4 X 12)	N/A	VB-1120-XD	W-5636
GT6183	6216	**PS 808 T2 (3-3/4 x 18)	BR-AS808T2 18	N/A	N/A	BR-18 - 18	**P2515A (3-3/4 X 18)	N/A	VB-1180-XD	W-5637
GT6184	6218	**PS 808 T2 (3-3/4 x 24)	BR-AS808T2 24	N/A	N/A	BR-18 - 24	**P2516A (3-3/4 X 24)	N/A	VB-1240-XD	W-5638
<b>SHELF BRACKET</b>										
GT6191	6101	PS 732 8-1/2 X 4"	BR-AS732-8	N/A	S204	N/A	P1769	N/A	VB-4085	W-5669
GT6192	6102	PS 732 10-1/2 X 4"	BR-AS732-10	N/A	S205	N/A	P1771	N/A	VB-4105	W-5671
GT6193	6121	PS 732 12-1/2 X 6"	N/A	N/A	S217	BR-11 - 12 - 1/2 X 6	P1773	N/A	VB-4125	W-5673
GT6194	6122	PS 732 14-1/2 X 6"	N/A	N/A	S218	BR-11 - 14 - 1/2 X 6	P1775	N/A	VB-4145	W-5675
<b>SHELF SUPPORTS</b>										
GT6206L	6170L 6	N/A	N/A	N/A	S201-L6 EG	N/A	P2491 L	N/A	VB-2106-SL-L	W-5601
GT6206R	6170R 6	N/A	N/A	N/A	S201-R6 EG	N/A	P2491 R	N/A	VB-2106-SL-R	W-5602
GT6208L	6171L 8	N/A	N/A	N/A	S201-L8 EG	N/A	P2492 L	N/A	VB-2108-SL-L	W-5603
GT6208R	6171R 8	N/A	N/A	N/A	S201-R8 EG	N/A	P2492 R	N/A	VB-2108-SL-R	W-5604
GT62010L	6172L 10	PS 838 10L	N/A	N/A	S201-L10 EG	N/A	P2493 L	N/A	VB-2110-SL-L	W-5605
GT62010R	6172R 10	PS 838 10R	N/A	N/A	S201-R10 EG	N/A	P2493 R	N/A	VB-2110-SL-R	W-5606
GT62112L	6164L 12	PS 838 12L	BR-AS838-12L	N/A	S201-L12 EG	N/A	P2494 L	N/A	VB-2112-SL-L	W-5607
GT62112R	6164R 12	PS 838 12R	BR-AS838-12R	N/A	S201-R12 EG	N/A	P2494 R	N/A	VB-2112-SL-R	W-5608
GT62114L	6165L 14	PS 838 14L	BR-AS838-14L	N/A	S201-L14 EG	N/A	P2495 L	N/A	VB-2114-SL-L	W-5609
GT62114R	6165R 14	PS 838 14R	BR-AS838-14R	N/A	S201-R14 EG	N/A	P2495 R	N/A	VB-2114-SL-R	W-5610
GT62116L	6166L 16	PS 838 16L	BR-AS838-16L	N/A	S201-L16 EG	N/A	P2496 L	N/A	VB-2116-SL-L	W-5611
GT62116R	6166R 16	PS 838 16R	BR-AS838-16R	N/A	S201-R16 EG	N/A	P2496 R	N/A	VB-2116-SL-R	W-5612
GT62118L	6167L 18	PS 838 18L	BR-AS838-18L	N/A	S201-L18 EG	N/A	P2497 L	N/A	VB-2118-SL-L	W-5613
GT62118R	6167R 18	PS 838 18R	BR-AS838-18R	N/A	S201-R18 EG	N/A	P2497 R	N/A	VB-2118-SL-R	W-5614
GT62120L	6168L 20	PS 838 20L	BR-AS838-20L	N/A	S201-L20 EG	N/A	P2498 L	N/A	VB-2120-SL-L	W-5615
GT62120R	6168R 20	PS 838 20R	BR-AS838-20R	N/A	S201-R20 EG	N/A	P2498 R	N/A	VB-2120-SL-R	W-5616
GT62122L	6169L 22	PS 838 22L	BR-AS838-22L	N/A	N/A	N/A	P2499 L	N/A	VB-2122-SL-L	W-5617
GT62122R	6169R 22	PS 838 22R	BR-AS838-22R	N/A	N/A	N/A	P2499 R	N/A	VB-2122-SL-R	W-5618
GT62224L	6160L 24	PS 838 24L	BR-AS838-24L	N/A	N/A	N/A	P2500 L	N/A	VB-2124-SL-L	W-5619
GT62224R	6160R 24	PS 838 24R	BR-AS838-24R	N/A	N/A	N/A	P2500 R	N/A	VB-2124-SL-R	W-5620
GT62226L	6161L 26	PS 838 26L	BR-AS838-26L	N/A	N/A	N/A	P2501 L	N/A	VB-2126-SL-L	W-5621
GT62226R	6161R 26	PS 838 26R	BR-AS838-26R	N/A	N/A	N/A	P2501 R	N/A	VB-2126-SL-R	W-5622
GT62228L	6162L 28	PS 838 28L	BR-AS838-28L	N/A	N/A	N/A	P2502 L	N/A	VB-2128-SL-L	W-5623
GT62228R	6162R 28	PS 838 28R	BR-AS838-28R	N/A	N/A	N/A	P2502 R	N/A	VB-2128-SL-R	W-5624
GT62230L	6163L 30	PS 838 30L	BR-AS838-30L	N/A	N/A	N/A	P2503 L	N/A	VB-2130-SL-L	W-5625
GT62230R	6163R 30	PS 838 30R	BR-AS838-30R	N/A	N/A	N/A	P2503 R	N/A	VB-2130-SL-R	W-5626
<b>SHELF BRACKET</b>										
GT6231	6123	PS 732 16	BR-AS732-16	N/A	S222 EG	BR-12	P1777	N/A	VB-4165	W-5677
GT6232	6124	PS 732 18	BR-AS732-18	N/A	S226 EG	N/A	NA	N/A	VB-4185	N/A
GT6233	6125	PS 732 20	BR-AS732-20	N/A	S236 EG	N/A	NA	N/A	VB-4205	N/A
<b>BRACED SINGLE BRACKET</b>										
GT6251	6150	PS 3282 12	BR-AS3282-12	N/A	N/A	N/A	N/A	N/A	VB-4120	N/A
GT6252	6151	PS 3282 18	BR-AS3282-18	N/A	N/A	N/A	N/A	N/A	VB-4180	N/A
GT6253	6152	PS 3282 24	BR-AS3282-24	N/A	N/A	N/A	N/A	N/A	N/A	N/A
<b>CONDUIT CLAMPS-EMT</b>										
GC110037	2201	N/A		S38TW	700-3/8-STR-EG	N/A	P1425	UC100	VPT-1037	W-6025
GC110050	2202	N/A		N/A	N/A	N/A	EMTC 1/2	N/A	UC101	N/A
GC110050ASMBL	N/A	PS 1000 1/2		S12TW	700-1/2-STR-EG	N/A	P1426AS	N/A	VPT-1050	W-6026
GC110075	2203	N/A		N/A	N/A	N/A	EMTC 3/4	N/A	UC102	N/A
GC110075ASMBL	N/A	PS 1000 3/4		S34TW	700-3/4-STR-EG	N/A	P1427AS	N/A	VPT-1075	W-6028
GC110100	2204	N/A		N/A	N/A	N/A	EMTC 1	N/A	UC103	N/A
GC110100ASMBL	N/A	PS 1000 1		S1TW	700-1-STR-EG	N/A	P1428AS	N/A	VPT-1100	W-6030
GC110125	2205	N/A		N/A	N/A	N/A	EMTC 1-1/4	N/A	UC104	N/A
GC110125ASMBL	N/A	PS 1000 1-1/4		S114TW	700-1-1/4-STR-EG	N/A	P1429AS	N/A	VPT-1125	W-6032
GC110150	2206	N/A		N/A	N/A	N/A	EMTC 1-1/2	N/A	N/A	N/A
GC110150ASMBL	N/A	PS 1000 1-1/2		S112TW	700-1-1/2-STR-EG	N/A	P1430AS	N/A	VPT-1150	W-6034
GC110200	2207	N/A		N/A	N/A	N/A	EMTC 2	N/A	UC106	N/A
GC110200ASMBL	N/A	PS 1000 2		S2TW	700-2-STR-EG	N/A	P1431AS	N/A	VPT-1200	W-6038
<b>CONDUIT CLAMPS-STANDARD-RIGID</b>										
GC112037	2001	PS 1100 3/8		S38R	702-3/8	N/A	P1109	UC300	VP-1037	W-6125
GC112050	2002	N/A		N/A	N/A	N/A	RIGD 1/2	N/A	UC301	N/A
GC112050ASMBL	N/A	PS 1100 1/2		S12R	702-1/2 EG	N/A	P1111 AS	N/A	VP-1050	W-6126
GC112075	2003	N/A		N/A	N/A	N/A	RIGD 3/4	N/A	UC302	N/A
GC112075ASMBL	N/A	PS 1100 3/4		S34R	702-3/4 EG	N/A	P1112 AS	N/A	VP-1075	W-6128
GC112100	2004	N/A		N/A	N/A	N/A	RIGD 1	N/A	UC303	N/A
GC112100ASMBL	N/A	PS 1100 1		S1R	702-1 EG	N/A	P1113 AS	N/A	VP-1100	W-6130
GC112125	2005	N/A		N/A	N/A	N/A	RIGD 1-1/4	N/A	UC304	N/A
GC112125ASMBL	N/A	PS 1100 1-1/4		S114R	702-1-1/4 EG	N/A	P1114 AS	N/A	VP-1125	W-6132
GC112150	2006	N/A		N/A	N/A	N/A	RIGD 1-1/2	N/A	UC305	N/A
GC112150ASMBL	N/A	PS 1100 1-1/2		S112R	702-1-1/2 EG	N/A	P1115 AS	N/A	VP-1150	W-6134
GC112200	2007	N/A		N/A	N/A	N/A	RIGD 2	N/A	UC306	N/A

CROSS  
REFERENCE

(GREGORY) G-STRUT	(ANVIL INTERNATIONAL) ANVIL STRUT	(COOPER) B-LINE	(CULLY) MINERALLAC	(ELITE) ELITE COMPONENTS	(ERICO) ERI-STRUT	(FLEX STRUT) FLEX STRUT	(FLORIDA STRUT) FLORIDA STRUT	(GS METALS) GLOBE STRUT	(HAYDON) H-STRUT
<b>CONDUIT CLAMPS-STANDARD-RIGID</b>									
GC112200ASMBL	AS 1100 EG 2	B2013 PA ZN	N/A	N/A	N/A	FS-1100A-2	SCR 0200EG	G-7007AS	C1102-2AS
GC112250	N/A	B2014 ZN	N/A	9SRC0250G	N/A	N/A	N/A	N/A	N/A
GC112250ASMBL	AS 1100 EG 2-1/2	B2014 PA ZN	N/A	N/A	N/A	FS-1100A-2-1/2	SCR 0250EG	G-7008AS	C1102-2 1/2AS
GC112300	N/A	B2015 ZN	N/A	9SRC0300G	N/A	N/A	N/A	N/A	N/A
GC112300ASMBL	AS 1100 EG 3	B2015 PA ZN	N/A	N/A	N/A	FS-1100A-3	SCR 0300EG	G-7009AS	C1102-3AS
GC112350	N/A	B2016 ZN	N/A	9SRC0350G	N/A	N/A	N/A	N/A	N/A
GC112350ASMBL	AS 1100 EG 3-1/2	B2016 PA ZN	N/A	N/A	N/A	FS-1100A-3-1/2	SCR 0350EG	G-7010AS	C1102-3 1/2AS
GC112400	N/A	B2017 ZN	N/A	9SRC0400G	N/A	N/A	N/A	N/A	N/A
GC112400ASMBL	AS 1100 EG 4	B2017 PA ZN	N/A	N/A	N/A	FS-1100A-4	SCR 0400EG	G-7011AS	C1102-4AS
GC112500	AS 1100 EG 5	B2019 ZN	N/A	9SRC0500G	N/A	FS-1100-5	SCR 0500EG	G-7012	C1102-5
GC112600	AS 1100 EG 6	B2020 ZN	N/A	9SRC0600G	N/A	FS-1100-6	SCR 0600EG	G-7013	C1102-6
GC112800	AS 1100 EG 8	B2022 ZN	N/A	9SRC0800G	N/A	FS-1100-8	SCR 0800EG	G-7015	C1102-8
GC1121000	AS 1100 EG 10	B2130 ZN	N/A	N/A	N/A	FS-1100-10	SCR 1000EG	N/A	C1102-10
<b>CONDUIT CLAMPS-UNIVERSAL</b>									
GC114037	N/A	B2207 ZN	N/A	N/A	N/A	FS-1300-3/8	N/A	N/A	C1104-3/8
GC114050	N/A	B2208 ZN	N/A	N/A	N/A	N/A	SCU 0050EG	G-7502	N/A
GC114050ASMBL	AS 1300 EG 1/2	B2208 PA ZN	N/A	N/A	N/A	FS-1300A-1/2	N/A	G-7502AS	C1104-1/2AS
GC114075	N/A	B2209 ZN	N/A	N/A	N/A	N/A	SCU 0075EG	N/A	N/A
GC114075ASMBL	AS 1300 EG 3/4	B2209 PA ZN	N/A	N/A	N/A	FS-1300A-3/4	N/A	G-7503AS	C1104-3/4AS
GC114100	N/A	B2210 ZN	N/A	N/A	N/A	N/A	SCU 0100EG	N/A	N/A
GC114100ASMBL	AS 1300 EG 1	B2210 PA ZN	N/A	N/A	N/A	FS-1300A-1	N/A	G-7504AS	C1104-1AS
GC114125	N/A	B2211 ZN	N/A	N/A	N/A	N/A	SCU 0125EG	N/A	N/A
GC114125ASMBL	AS 1300 EG 1-1/4	B2211 PA ZN	N/A	N/A	N/A	FS-1300A-1-1/4	N/A	G-7505AS	C1104-1 1/4AS
GC114150	N/A	B2212 ZN	N/A	N/A	N/A	N/A	SCU 0150EG	N/A	N/A
GC114150ASMBL	AS 1300 EG 1-1/2	B2212 PA ZN	N/A	N/A	N/A	FS-1300A-1-1/2	N/A	G-7506AS	C1104-1 1/2AS
GC114200	N/A	B2213 ZN	N/A	N/A	N/A	N/A	SCU 0200EG	N/A	N/A
GC114200ASMBL	AS 1300 EG 2	B2213 PA ZN	N/A	N/A	N/A	FS-1300A-2	N/A	G-7507AS	C1104-2AS
<b>CONDUIT CLAMPS-O.D. TUBING</b>									
GC111025	AS 1200 O.D. EG 1/4	B2023 ZN	N/A	9EOD0025G	N/A	FS-1200-1/4	SCO 0025EG	G-7201	C1101-1/4
GC111037	AS 1200 O.D. EG 3/8	B2024 ZN	N/A	9EOD0037G	N/A	FS-1200-3/8	SCO 0037EG	G-7202	C1101-3/8
GC111050	AS 1200 O.D. EG 1/2	B2025 ZN	N/A	9EOD0050G	N/A	FS-1200-1/2	SCO 0050EG	G-7203	C1101-1/2
GC111062	AS 1200 O.D. EG 5/8	B2026 ZN	N/A	9EOD0062G	N/A	FS-1200-5/8	SCO 0062EG	G-7204	C1101-5/8
GC111075	AS 1200 O.D. EG 3/4	B2027 ZN	N/A	9EOD0075G	N/A	FS-1200-3/4	SCO 0075EG	G-7205	C1101-3/4
GC111087	AS 1200 O.D. EG 7/8	B2028 ZN	N/A	9EOD0087G	N/A	FS-1200-7/8	SCO 0087EG	G-7206	C1101-7/8
GC111100	AS 1200 O.D. EG 1	B2029 ZN	N/A	9EOD0100G	N/A	FS-1200-1	SCO 0100EG	G-7207	C1101-1
GC111112	AS 1200 O.D. EG 1-1/8	B2030 ZN	N/A	9EOD0112G	N/A	FS-1200-1-1/8	SCO 0112EG	G-7208	C1101-1-1/8
GC111125	AS 1200 O.D. EG 1-1/4	B2031 ZN	N/A	9EOD0125G	N/A	FS-1200-1-1/4	SCO 0125EG	G-7209	C1101-1-1/4
GC111137	AS 1200 O.D. EG 1-3/8	B2032 ZN	N/A	9EOD0137G	N/A	FS-1200-1-3/8	SCO 0137EG	G-7210	C1101-1-3/8
GC111150	AS 1200 O.D. EG 1-1/2	B2004 ZN	N/A	9EOD0150G	N/A	FS-1200-1-1/2	SCO 0150EG	G-7211	C1101-1-1/2
GC111162	AS 1200 O.D. EG 1-5/8	B2011 ZN	N/A	9EOD0162G	N/A	FS-1200-1-5/8	SCO 0162EG	G-7212	C1101-1-5/8
GC111175	AS 1200 O.D. EG 1-3/4	B2005 ZN	N/A	9EOD0175G	N/A	FS-1200-1-3/4	SCO 0175EG	G-7213	C1101-1-3/4
GC111187	AS 1200 O.D. EG 1-7/8	B2036 ZN	N/A	9EOD0187G	N/A	FS-1200-1-7/8	SCO 0187EG	G-7214	C1101-1-7/8
GC111200	AS 1200 O.D. EG 2	B2037 ZN	N/A	9EOD0200G	N/A	FS-1200-2	SCO 0200EG	G-7215	C1101-2
GC111212	AS 1200 O.D. EG 2-1/8	B2038 ZN	N/A	9EOD0212G	N/A	FS-1200-2-1/8	SCO 0212EG	G-7216	C1101-2-1/8
GC111225	AS 1200 O.D. EG 2-1/4	B2039 ZN	N/A	9EOD0225G	N/A	FS-1200-2-1/4	SCO 0225EG	G-7217	C1101-2-1/4
GC111237	AS 1200 O.D. EG 2-3/8	B2013 ZN	N/A	9EOD0237G	N/A	FS-1200-2-3/8	SCO 0237EG	G-7218	C1101-2-3/8
GC111250	AS 1200 O.D. EG 2-1/2	B2041 ZN	N/A	9EOD0250G	N/A	FS-1200-2-1/2	SCO 0250EG	G-7219	C1101-2-1/2
GC111262	AS 1200 O.D. EG 2-5/8	B2042 ZN	N/A	9EOD0262G	N/A	FS-1200-2-5/8	SCO 0262EG	G-7220	C1101-2-5/8
GC111275	AS 1200 O.D. EG 2-3/4	B2043 ZN	N/A	9EOD0275G	N/A	FS-1200-2-3/4	SCO 0275EG	G-7221	C1101-2-3/4
GC111287	AS 1200 O.D. EG 2-7/8	B2014 ZN	N/A	9EOD0287G	N/A	FS-1200-2-7/8	SCO 0287EG	G-7222	C1101-2-7/8
GC111300	AS 1200 O.D. EG 3	B2045 ZN	N/A	9EOD0300G	N/A	FS-1200-3	SCO 0300EG	G-7223	C1101-3
GC111312	AS 1200 O.D. EG 3-1/8	B2046 ZN	N/A	9EOD0312G	N/A	FS-1200-3-1/8	SCO 0312EG	G-7224	C1101-3-1/8
GC111325	AS 1200 O.D. EG 3-1/4	B2047 ZN	N/A	9EOD0325G	N/A	FS-1200-3-1/4	SCO 0325EG	G-7225	C1101-3-1/4
GC111337	AS 1200 O.D. EG 3-3/8	B2048 ZN	N/A	9EOD0337G	N/A	FS-1200-3-3/8	SCO 0337EG	G-7226	C1101-3-3/8
GC111350	AS 1200 O.D. EG 3-1/2	B2015 ZN	N/A	9EOD0350G	N/A	FS-1200-3-1/2	SCO 0350EG	G-7227	C1101-3-1/2
GC111362	AS 1200 O.D. EG 3-5/8	B2050 ZN	N/A	9EOD0362G	N/A	FS-1200-3-5/8	SCO 0362EG	G-7228	C1101-3-5/8
GC111375	AS 1200 O.D. EG 3-3/4	B2051 ZN	N/A	9EOD0375G	N/A	FS-1200-3-3/4	SCO 0375EG	G-7229	C1101-3-3/4
GC111387	AS 1200 O.D. EG 3-7/8	B2052 ZN	N/A	9EOD0387G	N/A	FS-1200-3-7/8	SCO 0387EG	G-7230	C1101-3-7/8
GC111400	AS 1200 O.D. EG 4	B2016 ZN	N/A	9EOD0400G	N/A	FS-1200-4	SCO 0400EG	G-7231	C1101-4
GC111412	AS 1200 O.D. EG 4-1/8	B2054 ZN	N/A	9EOD0412G	N/A	FS-1200-4-1/8	SCO 0412EG	G-7232	C1101-4-1/8
GC111425	AS 1200 O.D. EG 4-1/4	B2055 ZN	N/A	9EOD0425G	N/A	FS-1200-4-1/4	SCO 0425EG	G-7233	C1101-4-1/4
GC111437	AS 1200 O.D. EG 4-3/8	B2056 ZN	N/A	9EOD0437G	N/A	FS-1200-4-3/8	SCO 0437EG	G-7234	C1101-4-3/8
GC111450	AS 1200 O.D. EG 4-1/2	B2017 ZN	N/A	9EOD0450G	N/A	FS-1200-4-1/2	SCO 0450EG	G-7235	C1101-4-1/2
GC111462	AS 1200 O.D. EG 4-5/8	B2058 ZN	N/A	9EOD0462G	N/A	FS-1200-4-5/8	SCO 0462EG	G-7236	C1101-4-5/8
GC111475	AS 1200 O.D. EG 4-3/4	B2059 ZN	N/A	9EOD0475G	N/A	FS-1200-4-3/4	SCO 0475EG	G-7237	C1101-4-3/4
GC111487	AS 1200 O.D. EG 4-7/8	B2060 ZN	N/A	9EOD0487G	N/A	FS-1200-4-7/8	SCO 0487EG	G-7238	C1101-4-7/8
GC111500	AS 1200 O.D. EG 5	B2018 ZN	N/A	9EOD0500G	N/A	FS-1200-5	SCO 0500EG	N/A	C1101-5
GC111512	AS 1200 O.D. EG 5-1/8	B2062 ZN	N/A	9EOD0512G	N/A	FS-1200-5-1/8	SCO 0512EG	N/A	C1101-5-1/8
GC111525	AS 1200 O.D. EG 5-1/4	B2063 ZN	N/A	9EOD0525G	N/A	FS-1200-5-1/4	SCO 0525EG	G-7239	C1101-5-1/4
GC111537	AS 1200 O.D. EG 5-3/8	B2064 ZN	N/A	9EOD0537G	N/A	FS-1200-5-3/8	SCO 0537EG	G-7240	C1101-5-3/8
GC111550	AS 1200 O.D. EG 5-1/2	B2019 ZN	N/A	9EOD0550G	N/A	FS-1200-5-1/2	SCO 0550EG	G-7241	C1101-5-1/2
GC111562	AS 1200 O.D. EG 5-5/8	B2066 ZN	N/A	9EOD0562G	N/A	FS-1200-5-5/8	SCO 0562EG	N/A	C1101-5-5/8
GC111575	AS 1200 O.D. EG 5-3/4	B2067 ZN	N/A	9EOD0575G	N/A	FS-1200-5-3/4	SCO 0575EG	N/A	C1101-5-3/4
GC111587	AS 1200 O.D. EG 5-7/8	B2068 ZN	N/A	9EOD0587G	N/A	FS-1200-5-7/8	SCO 0587EG	N/A	C1101-5-7/8

CROSS REFERENCE

(GREGORY) G-STRUT	(PHD MFG) PHD STRUT	(TYCO / ALLIED) POWER-STRUT	(POWER-UTILITY PRODUCTS) PUPCO	(SASCO) SASCO STRUT	(THOMAS & BETTS) SUPER-STRUT	(TOLCO) TOL-STRUT	(TYCO) UNI-STRUT	(UNITRON) U.S. STRUT	(VERSABAR CORP) VERSABAR	WESANCO WESTRUT
<b>CONDUIT CLAMPS-STANDARD-RIGID</b>										
GC112200ASMBL	N/A	PS 1100 2		S2R	702-2-STR-EG	N/A	P1117 AS	N/A	VP-1200	W-6138
GC112250	2008	N/A		N/A	N/A	RIGD 2-1/2	N/A	UC307	N/A	N/A
GC112250ASMBL	N/A	PS 1100 2-1/2		S212R	702-2-1/2 EG	N/A	P1118 AS	N/A	VP-1250	W-6142
GC112300	2009	N/A		N/A	N/A	RIGD 3	N/A	UC308	N/A	N/A
GC112300ASMBL	N/A	PS 1100 3		S3R	702-3 EG	N/A	P1119 AS	N/A	VP-1300	W-6146
GC112350	2010	N/A		N/A	N/A	RIGD 3-1/2	N/A	UC309	N/A	N/A
GC112350ASMBL	N/A	PS 1100 3-1/2		S312R	702-3-1/2 EG	N/A	P1120 AS	N/A	VP-1350	W-6150
GC112400	2011	N/A		N/A	N/A	RIGD 4	N/A	UC310	N/A	N/A
GC112400ASMBL	N/A	PS 1100 4		S4R	702-4 EG	N/A	P1121 AS	N/A	VP-1400	W-6154
GC112500	2012	PS 1100 5		S5R	702-5 EG	RIGD 5	P1123	UC311	VP-1500	W-6162
GC112600	2013	PS 1100 6		S6R	702-6 EG	RIGD 6	P1124	UC312	VP-1600	W-6170
GC112800	2014	PS 1100 8		S8R	702-8 EG	RIGD 8	P1126	UC313	VP-1800	W-6174
GC1121000	2015	PS 1100 10		N/A	702-10 EG	RIGD 10	N/A	N/A	N/A	W-6176
<b>CONDUIT CLAMPS-UNIVERSAL</b>										
GC114037	2101	N/A		N/A	N/A	N/A	N/A	N/A	N/A	W-6055
GC114050	2102	PS 1300 1/2		N/A	N/A	UNIV 1/2	P1211	UC200	N/A	N/A
GC114050ASMBL	N/A	N/A		N/A	703-1/2 EG	N/A	P1211 AS	N/A	VP-9050	W-6056
GC114075	2103	PS 1300 3/4		N/A	N/A	UNIV 3/4	N/A	UC201	N/A	N/A
GC114075ASMBL	N/A	N/A		N/A	703-3/4 EG	N/A	P1212 AS	N/A	VP-9075	W-6058
GC114100	2104	PS 1300 1		N/A	N/A	UNIV 1	N/A	UC202	N/A	N/A
GC114100ASMBL	N/A	N/A		N/A	703-1 EG	N/A	P1213 AS	N/A	VP-9100	W-6060
GC114125	2105	PS 1300 1-1/4		N/A	N/A	UNIV 1-1/4	N/A	UC203	N/A	N/A
GC114125ASMBL	N/A	N/A		N/A	703-1-1/4 EG	N/A	P1214 AS	N/A	VP-9125	W-6062
GC114150	2106	PS 1300 1-1/2		N/A	N/A	UNIV 1-1/2	N/A	UC204	N/A	N/A
GC114150ASMBL	N/A	N/A		N/A	703-1-1/2 EG	N/A	P1215 AS	N/A	VP-9150	W-6064
GC114200	2107	PS 1300 2		N/A	N/A	UNIV 2	N/A	UC205	N/A	N/A
GC114200ASMBL	N/A	N/A		N/A	703-2 EG	N/A	P1217 AS	N/A	VP-9200	W-6068
<b>CONDUIT CLAMPS - O.D. TUBING</b>										
GC111025	2401	PS 1200-1/4		S140D	701-1/4 EG	O.D. 1/4	P2024	UC500	VT-1025	W-6224
GC111037	2402	PS 1200-3/8		S380D	701-3/8 EG	O.D. 3/8	P2025	UC501	VT-1037	W-6225
GC111050	2403	PS 1200-1/2		S120D	701-1/2-STR- EG	O.D. 1/2	P2026	UC502	VT-1050	W-6226
GC111062	2404	PS 1200-5/8		S580D	701-5/8 EG	O.D. 5/8	P2027	UC503	VT-1062	W-6227
GC111075	2405	PS 1200-3/4		S340D	701-3/4 EG	O.D. 3/4	P2028	UC504	VT-1075	W-6228
GC111087	2406	PS 1200-7/8		S780D	701-7/8 EG	O.D. 7/8 (RIGD 1/2)	P2029	UC505	VT-1087	W-6229
GC111100	2407	PS 1200-1		S10D	701-1-STR- EG	O.D. 1 (RIGE 3/4)	P2030	UC506	VT-1100	W-6230
GC111112	2408	PS 1200-1-1/8		S1180D	701-1-1/8 EG	O.D. 1-1/8	P2031	UC507	VT-1112	W-6231
GC111125	2409	PS 1200-1-1/4		S1140D	701-1-1/4 EG	O.D. 1-1/4	P2032	UC508	VT-1125	W-6232
GC111137	2410	PS 1200-1-3/8		S1380D	701-1-3/8 EG	O.D. 1-3/8 (RIGD 1)	P2033	UC509	VT-1137	W-6233
GC111150	2411	PS 1200-1-1/2		S1120D	701-1-1/2 EG	O.D. 1-1/2	P2034	UC510	VT-1150	W-6234
GC111162	2412	PS 1200-1-5/8		S1580D	701-1-5/8 EG	O.D. 1-5/8 (RIGD 1-1/4)	P2035	UC511	VT-1162	W-6235
GC111175	2413	PS 1200-1-3/4		N/A	701-1-3/4 EG	O.D. 1-3/4	P1430	UC512	VT-1175	W-6034
GC111187	2414	PS 1200-1-7/8		S1780D	701-1-7/8 EG	O.D. 1-7/8	P2037	UC517	VT-1187	W-6237
GC111200	2415	PS 1200-2		S20D	701-2 EG	O.D. 2	P2038	UC514	VT-1200	W-6238
GC111212	2416	PS 1200-2-1/8		S2180D	701-2-1/8 EG	O.D. 2-1/8	P2039	UC515	VT-1212	W-6239
GC111225	2417	PS 1200-2-1/4		S2140D	701-2-1/4 EG	O.D. 2-1/4	P2040	UC516	VT-1225	W-6240
GC111237	N/A	PS 1200-2-1/8		N/A	701-2-3/8 EG	O.D. 2-3/8	P1117	UC517	VT-1237	W-6138
GC111250	2418	PS 1200-2-1/2		S2120D	701-2-1/2 EG	O.D. 2-1/2	P2042	UC518	VT-1250	W-6242
GC111262	2419	PS 1200-2-5/8		S2580D	701-2-5/8 EG	O.D. 2-5/8	P2043	UC519	VT-1262	W-6243
GC111275	2420	PS 1200-2-3/4		S2340D	701-2-3/4 EG	O.D. 2-3/4	P2044	UC520	VT-1275	W-6244
GC111287	N/A	PS 1200-2-7/8		N/A	701-2-7/8 EG	O.D. 2-7/8 (RIGD 2-1/2)	P1118	UC521	VT-1287	W-6142
GC111300	2421	PS 1200-3		S30D	701-3 EG	O.D. 3	P2046	UC522	VT-1300	W-6246
GC111312	2422	PS 1200 3-1/8		S3180D	701-3-1/8 EG	O.D. 3-1/8	P2047	UC526	VT-1312	W-6247
GC111325	2423	PS 1200 3-1/4		S3140D	701-3-1/4 EG	O.D. 3-1/4	P2048	UC527	VT-1325	W-6248
GC111337	2424	PS 1200 3-3/8		S3380D	701-3-3/8 EG	O.D. 3-3/8	P2049	UC525	VT-1337	W-6249
GC111350	N/A	PS 1200 3-1/2		N/A	701-3-1/2 EG	O.D. 3-1/2 (RIGD 3-1/2)	P1119	UC524	VT-1350	W-6146
GC111362	2425	PS 1200 3-5/8		S3580D	701-3-5/8 EG	O.D. 3-5/8	P2051	UC523	VT-1362	W-6251
GC111375	2426	PS 1200 3-3/4		S3340D	701-3-3/4 EG	O.D. 3-3/4	P2052	UC528	VT-1375	W-6252
GC111387	2427	PS 1200 3-7/8		S3780D	701-3-7/8 EG	O.D. 3-7/8	P2053	UC529	VT-1387	W-6253
GC111400	N/A	PS 1200 4		N/A	701-4 EG EG	O.D. 4	P1120	UC530	VT-1400	W-6150
GC111412	2428	PS 1200 4-1/8		S4180D	701-4-1/8 EG	O.D. 4-1/8	P2055	UC531	VT-1412	W-6255
GC111425	2429	PS 1200 4-1/4		S4140D	701-4-1/4 EG	O.D. 4-1/4	P2056	UC532	VT-1425	W-6256
GC111437	2430	PS 1200 4-3/8		S4380D	701-4-3/8 EG	O.D. 4-3/8	P2057	UC533	VT-1437	W-6257
GC111450	N/A	PS 1200 4-1/2		N/A	701-4-1/2 EG	O.D. 4-1/2 (RIGD 3-1/2)	P1121	UC534	VT-1450	W-6154
GC111462	2431	PS 1200 4-5/8		S4580D	701-4-5/8 EG	O.D. 4-5/8	P2059	UC535	VT-1462	W-6259
GC111475	2432	PS 1200 4-3/4		S4340D	701-4-3/4 EG	O.D. 4-3/4	P2060	UC536	VT-1475	W-6260
GC111487	2433	PS 1200 4-7/8		S4780D	701-4-7/8 EG	O.D. 4-7/8	P2061	UC537	VT-1487	W-6261
GC111500	2434	PS 200-5		S50D	701-5 EG	O.D. 5	P2062	UC538	VT-1500	W-6262
GC111512	2435	PS 1200-5-1/8			701-5-1/8 EG	O.D. 5-1/8	P2063	UC539	VT-1512	W-6263
GC111525	2436	PS 1200-5-1/4			701-5-1/4 EG	O.D. 5-1/4	P2064	UC540	VT-1525	W-6264
GC111537	2437	PS 1200-5-3/8			701-5-3/8 EG	O.D. 5-3/8	P2065	UC541	VT-1537	W-6265
GC111550	2438	PS 1200-5-1/2			701-5-1/2 EG	O.D. 5-1/2	P2066	UC542	VT-1550	W-6266
GC111562	2439	PS-1200-5-5/8			701-5-5/8 EG	O.D. 5-5/8 (RIGD 5)	P2067	UC543	VT-1562	W-6267
GC111575	2440	PS-1200-5-3/4			701-5-3/4 EG	O.D. 5-3/4	P2068	UC544	VT-1575	W-6268
GC111587	2441	PS-1200-5-7/8			701-5-7/8 EG	O.D. 5-7/8	P2069	UC545	VT-1587	W-6269

CROSS  
REFERENCE

(GREGORY) G-STRUT	(ANVIL INTERNATIONAL) ANVIL STRUT	(COOPER) B-LINE	(CULLY) MINERALLAC	(ELITE) ELITE COMPONENTS	(ERICO) ERI-STRUT	(FLEX STRUT) FLEX STRUT	(FLORIDA STRUT) FLORIDA STRUT	(GS METALS) GLOBE STRUT	(HAYDON) H-STRUT
<b>CONDUIT CLAMPS - O.D. TUBING</b>									
GC111600	AS 1200 O.D. EG 6	B2069 ZN	N/A	9EOD0600G	N/A	FS-1200-6	SCO 0600EG	G-7242	C1101-6
GC111612	AS 1200 O.D. EG 6-1/8	B2110 ZN	N/A	9EOD0612G	N/A	FS-1200-6-1/8	SCO 0612EG	G-7243	C1101-6-1/8
GC111625	AS 1200 O.D. EG 6-1/4	B2111 ZN	N/A	9EOD0625G	N/A	FS-1200-6-1/4	SCO 0625EG	N/A	C1101-6-1/4
GC111637	AS 1200 O.D. EG 6-3/8	B2112 ZN	N/A	9EOD0637G	N/A	FS-1200-6-3/8	SCO 0637EG	N/A	C1101-6-3/8
GC111650	AS 1200 O.D. EG 6-1/2	B2113 ZN	N/A	9EOD0650G	N/A	FS-1200-6-1/2	SCO 0650EG	N/A	C1101-6-1/2
GC111662	AS 1200 O.D. EG 6-5/8	B2020 ZN	N/A	9EOD0662G	N/A	N/A	SCO 0662EG	N/A	C1101-6-5/8
GC111675	AS 1200 O.D. EG 6-3/4	B2115 ZN	N/A	9EOD0675G	N/A	FS-1200-6-3/4	SCO 0675EG	N/A	C1101-6-3/4
GC111687	AS 1200 O.D. EG 6-7/8	B2116 ZN	N/A	9EOD0687G	N/A	FS-1200-6-7/8	SCO 0687EG	N/A	C1101-6-7/8
GC111700	AS 1200 O.D. EG 7	B2117 ZN	N/A	9EOD0700G	N/A	FS-1200-7	SCO 0700EG	N/A	C1101-7
GC111712	AS 1200 O.D. EG 7-1/8	B2118 ZN	N/A	9EOD0712G	N/A	FS-1200-7-1/8	SCO 0712EG	N/A	C1101-7-1/8
GC111725	AS 1200 O.D. EG 7-1/4	B2119 ZN	N/A	9EOD0725G	N/A	FS-1200-7-1/4	SCO 0725EG	N/A	C1101-7-1/4
GC111737	AS 1200 O.D. EG 7-3/8	B2120 ZN	N/A	9EOD0737G	N/A	FS-1200-7-3/8	SCO 0737EG	N/A	C1101-7-3/8
GC111750	AS 1200 O.D. EG 7-1/2	B2121 ZN	N/A	9EOD0750G	N/A	FS-1200-7-1/2	SCO 0750EG	N/A	N/A
GC111762	AS 1200 O.D. EG 7-5/8	B2021 ZN	N/A	9EOD0762G	N/A	FS-1200-7-5/8	SCO 0762EG	N/A	C1101-7-5/8
GC111775	AS 1200 O.D. EG 7-3/4	B2123 ZN	N/A	9EOD0775G	N/A	FS-1200-7-3/4	SCO 0775EG	N/A	N/A
GC111787	AS 1200 O.D. EG 7-7/8	B2124 ZN	N/A	9EOD0787G	N/A	FS-1200-7-7/8	SCO 0787EG	N/A	C1101-7-7/8
GC111800	AS 1200 O.D. EG 8	B2125 ZN	N/A	9EOD0800G	N/A	FS-1200-8	SCO 0800EG	N/A	C1101-8
<b>CUSHION CLAMPS - TUBE</b>									
GC1025	AS 0040D	BVT025 ZN	N/A	9STCC025G	N/A	FS-1400-025	CCT 0025YC	G-7920	C100025
GC1037	AS 0060DN	BVT037 ZN	N/A	9STCC037G	N/A	FS-1400-037	CCT 0037YC	N/A	C100037
GC1050	AS 0080DN	BVT050 ZN	N/A	9STCC050G	N/A	FS-1400-050	CCT 0050YC	N/A	C100050
GC1062	AS 0100DN	BVT062 ZN	N/A	9STCC062G	N/A	FS-1400-062	CCT 0062YC	N/A	C100062
GC1075	AS 0120DN	BVT075 ZN	N/A	9STCC075G	N/A	FS-1400-075	CCT 0075YC	N/A	C100075
GC1087	AS 0140DN	BVT087 ZN	N/A	9STCC087G	N/A	FS-1400-087	CCT 0087YC	N/A	C100087
GC1100	AS 0160D	BVT100 ZN	N/A	9STCC100G	N/A	FS-1400-100	CCT 0100YC	N/A	C100100
GC1112	AS 0180DN	BVT112 ZN	N/A	9STCC112G	N/A	FS-1400-112	CCT 0112YC	N/A	C100112
GC1125	AS 0200D	BVT125 ZN	N/A	9STCC125G	N/A	FS-1400-125	CCT 0125YC	N/A	C100125
GC1137	AS 0220DN	BVT137 ZN	N/A	9STCC137G	N/A	FS-1400-137	CCT 0137YC	N/A	C100137
GC1150	AS 0240D	BVT150 ZN	N/A	N/A	N/A	FS-1400-150	CCT 0150YC	N/A	C100150
GC1162	AS 0260DN	BVT162 ZN	N/A	9STCC162G	N/A	FS-1400-162	CCT 0162YC	N/A	C100162
GC1175	AS 0280D	BVT175 ZN	N/A	N/A	N/A	FS-1400-175	CCT 0175YC	N/A	C100175
GC1187	N/A	BVT187 ZN	N/A	N/A	N/A	FS-1400-187	CCT 0187YC	N/A	C100187
GC1200	AS 0320D	BVT200 ZN	N/A	N/A	N/A	FS-1400-200	CCT 0200YC	N/A	C100200
GC1212	AS 0340D	BVT212 ZN	N/A	9STCC212G	N/A	FS-1400-212	CCT 0212YC	N/A	C100212
GC1237	N/A	N/A	N/A	N/A	N/A	FS-1400-237	N/A	N/A	C100237
GC1262	AS 0420D	BVT262 ZN	N/A	9STCC262G	N/A	FS-1400-262	CCT 0262YC	N/A	C100262
GC1300	AS 0480D	BVT300 ZN	N/A	N/A	N/A	FS-1400-300	N/A	N/A	C100300
GC1312	AS 0500D	BVT312 ZN	N/A	9STCC312G	N/A	FS-1400-312	CCT 0312YC	N/A	C100312
GC1362	AS 0580D	BVT362 ZN	N/A	N/A	N/A	FS-1400-362	CCT 0362YC	N/A	C100362
GC1412	AS 0660D	BVT412 ZN	N/A	9STCC412G	N/A	FS-1400-412	CCT 0412YC	N/A	C100412
<b>CUSHION CLAMPS - PIPE</b>									
GC2025	AS 009P	BVP025 ZN	N/A	N/A	PCC0025EG	FS-1400P-025	N/A	G-7701	C200025
GC2037	AS 011P	BVP037 ZN	N/A	N/A	PCC0037EG	FS-1400P-037	CCP 0370YC	G-7703	C200037
GC2050	AS 014P	BVP050 ZN	N/A	N/A	PCC0050EG	FS-1400P-050	CCP 0050YC	G-7705	C200050
GC2075	AS 017P	BVP075 ZN	N/A	N/A	PCC0075EG	FS-1400P-075	CCP 0075YC	G-7709	C200075
GC2100	AS 021P	BVP100 ZN	N/A	N/A	PCC0100EG	FS-1400P-100	CCP 0100YC	G-7712	C200100
GC2125	AS 027P	BVP125 ZN	N/A	N/A	PCC0125EG	FS-1400P-125	CCP 0125YC	G-7716	C200125
GC2150	AS 0300DP	BVP150 ZN	N/A	N/A	PCC0150EG	FS-1400P-150	CCP 0150YC	G-7718	C200150
GC2200	AS 0380DP	BVP200 ZN	N/A	N/A	PCC0200EG	FS-1400P-200	CCP 0200YC	G-7722	C200200
GC2250	AS 0460DP	BVP250 ZN	N/A	N/A	PCC0250EG	FS-1400P-250	CCP 0250YC	G-7726	C200250
GC2300	AS 0560DP	BVP300 ZN	N/A	N/A	PCC0300EG	FS-1400P-300	CCP 0300YC	G-7729	C200300
GC2350	AS 0640DP	BVP350 ZN	N/A	N/A	PCC0350EG	FS-1400P-350	CCP 0350YC	G-7731	C200350
GC2400	AS 0700DP	BVP400 ZN	N/A	N/A	PCC0400EG	FS-1400P-400	CCP 0400YC	G-7732	C200400
GC2500	AS 089P	BVP500 ZN	N/A	N/A	PCC0500EG	FS-1400P-500	CCP 0500YC	N/A	C200500
GC2600	AS 106P	BVP600 ZN	N/A	N/A	PCC0600EG	FS-1400P-600	N/A	N/A	C200600
<b>CONDUIT CLAMPS - COPPER PLATED O.D. TUBING</b>									
GC111025CT	N/A	B2024DCU	N/A	9SCOPC025G	N/A	FS-1200-1/4-C/P	SCC 0025CP	N/A	N/A
GC111037CT	N/A	B2025DCU	N/A	9SCOPC037G	N/A	FS-1200-3/8-C/P	SCC 0037CP	N/A	C-1101-CT 3/8"
GC111050CT	AS 4050-PC	B2026DCU	N/A	9SCOPC050G	N/A	FS-1200-1/2-C/P	SCC 0050CP	N/A	C-1101-CT 1/2"
GC111062CT	AS 4062-PC	B2027DCU	N/A	N/A	N/A	FS-1200-5/8-C/P	N/A	N/A	C-1101-CT 5/8"
GC111075CT	N/A	B2008DCU	N/A	PSCOPC075G	N/A	FS-1200-3/4-C/P	SCC 0075CP	N/A	C-1101-CT 3/4"
GC111087CT	AS 4087-PC	N/A	N/A	N/A	N/A	FS-1200-7/8-C/P	N/A	N/A	N/A
GC111100CT	N/A	B2030DCU	N/A	9SCOPC100G	N/A	FS-1200-1-C/P	SCC 0100CP	N/A	C-1101-CT 1"
GC111112CT	AS 4112-PC	N/A	N/A	N/A	N/A	FS-1200-1-1/8-C/P	N/A	N/A	N/A
GC111125CT	N/A	B2032DCU	N/A	9SCOPC125G	N/A	FS-1200-1-1/4-C/P	SCC 0125CP	N/A	C-1101-CT 1-1/4"
GC111137CT	AS 4137-PC	N/A	N/A	N/A	N/A	FS-1200-1-3/8-C/P	N/A	N/A	N/A
GC111150CT	N/A	B2011DCU	N/A	9SCOPC150G	N/A	FS-1200-1-1/2-C/P	SCC 0150CP	N/A	C-1101-CT 1-1/2"
GC111162CT	AS 4162-PC	N/A	N/A	N/A	N/A	FS-1200-1-5/8-C/P	N/A	N/A	N/A
GC111175CT	N/A	N/A	N/A	N/A	N/A	FS-1200-1-3/4-C/P	N/A	N/A	N/A
GC111187CT	N/A	N/A	N/A	N/A	N/A	FS-1200-1-7/8-C/P	N/A	N/A	N/A
GC111200CT	N/A	B2038DCU	N/A	9SCOPC200G	N/A	FS-1200-2-C/P	SCC 0200CP	N/A	C-1101-CT 2"
GC111212CT	AS 4212-PC	N/A	N/A	N/A	N/A	FS-1200-2-1/8-C/P	N/A	N/A	N/A
GC111225CT	N/A	N/A	N/A	N/A	N/A	FS-1200-2-1/4-C/P	N/A	N/A	N/A
GC111237CT	N/A	N/A	N/A	N/A	N/A	FS-1200-2-3/8-C/P	N/A	N/A	N/A

CROSS REFERENCE



(GREGORY) G-STRUT	(PHD MFG) PHD STRUT	(TYCO / ALLIED) POWER-STRUT	(POWER-UTILITY PRODUCTS) PUPCO	(SASCO) SASCO STRUT	(THOMAS & BETTS) SUPER-STRUT	(TOLCO) TOL-STRUT	(TYCO) UNI-STRUT	(UNITRON) U.S. STRUT	(VERSABAR CORP) VERSABAR	WESANCO WESTRUT
<b>CONDUIT CLAMPS - O.D. TUBING</b>										
GC111600	2442	PS-1200 6			701-6 EG	O.D. 6	P2070	UC546	VT-1622	W-6270
GC111612	2443	PS-1200 6-1/8			701-6-1/8 EG	O.D. 6-1/8	P2070-61	N/A	VT-1612	N/A
GC111625	2444	PS-1200 6-1/4			701-6-1/4 EG	O.D. 6-1/4	P2070-62	UC547	VT-1625	N/A
GC111637	2445	PS-1200 6-3/8			701-6-3/8 EG	O.D. 6-3/8	P2070-63	UC548	VT-1637	N/A
GC111650	2446	PS-1200 6-1/2			701-6-1/2 EG	O.D. 6-1/2	P2070-64	UC549	VT-1650	N/A
GC111662	N/A	PS-1200 6-5/8			701-6-5/8 EG	O.D. 6-5/8 (RIGD 6)	P1124	UC550	VT-1662	N/A
GC111675	2447	PS-1200 6-3/4			701-6-3/4 EG	O.D. 6-3/4	P2070-66	UC551	VT-1675	N/A
GC111687	2448	PS-1200 6-7/8			701-6-7/8 EG	O.D. 6-7/8	P2070-67	UC552	VT-1687	N/A
GC111700	2449	PS-1200 7			N/A	O.D. 7	P2070-70	UC553	VT-1700	N/A
GC111712	2450	PS-1200 7-1/8			N/A	O.D. 7-1/8	P2070-71	UC554	VT-1712	N/A
GC111725	2451	PS-1200 7-1/4			N/A	O.D. 7-1/4	P2070-72	UC555	VT-1725	N/A
GC111737	2452	PS-1200 7-3/8			N/A	O.D. 7-3/8	P2070-73	UC556	VT-1737	N/A
GC111750	2453	PS-1200 7-1/2			N/A	O.D. 7-1/2	P2070-74	UC557	VT-1750	N/A
GC111762	2454	PS-1200 7-5/8			N/A	O.D. 7-5/8	P2070-75	UC558	VT-1762	N/A
GC111775	2455	PS-1200 7-3/4			N/A	O.D. 7-3/4	P2070-76	UC559	VT-1775	N/A
GC111787	2456	PS-1200 7-7/8			N/A	O.D. 7-7/8	P2070-77	UC560	VT-1787	N/A
GC111800	2457	PS-1200 8			701-8 EG	O.D. 8	P2070-80	UC561	VT-1800	W-6274
<b>CUSHION CLAMPS - TUBE</b>										
GC1025	2501	PS 004T		N/A	A-716-1/4 EG	O.D 1/4 -CR	004T008	N/A	N/A	100025
GC1037	2502	PS 006T		N/A	A-716-3/8 EG	O.D 3/8 -CR	006T010	N/A	N/A	100037
GC1050	2503	PS 008T		N/A	A-716-1/2 EG	O.D. 1/2 -CR	008T012	N/A	N/A	100050
GC1062	2504	PS 010T		N/A	A-716-5/8 EG	O.D. 5/8 -CR	010T014	N/A	N/A	100062
GC1075	2505	PS 012T		N/A	A-716-3/4 EG	O.D. 3/4 -CR	012T016	N/A	N/A	100075
GC1087	2506	PS 014T		N/A	A-716-7/8 EG	O.D. 7/8 -CR	014T018	N/A	N/A	100087
GC1100	N/A	PS 016T		N/A	A-716-1 EG	O.D 1 -CR	016T020	N/A	N/A	100100
GC1112	2507	PS 018T		N/A	A-716-1-1/8 EG	O.D. 1-1/8 -CR	018T022	N/A	N/A	100112
GC1125	N/A	PS 020T		N/A	A-716-1-1/4 EG	O.D. 1-1/4 -CR	020T024	N/A	N/A	100125
GC1137	2508	PS 022T		N/A	A-716-1-3/8 EG	O.D. 1-3/8 -CR	022T026	N/A	N/A	100137
GC1150	N/A	PS 024N		N/A	A-716-1-1/2 EG	O.D. 1-1/2 -CR	024N028	N/A	N/A	100150
GC1162	2509	PS 026N		N/A	A-716-1-5/8 EG	O.D. 1-5/8 -CR	026N030	N/A	N/A	100162
GC1175	N/A	PS 028N		N/A	A-716-1-3/4 EG	O.D. 1-3/4 -CR	028N032	N/A	N/A	100175
GC1187	N/A	PS 030N		N/A	A-716-1-7/8 EG	O.D. 1-7/8 -CR	030N034	N/A	N/A	100187
GC1200	N/A	PS 032N		N/A	A-716-2 EG	O.D 2 -CR	032N036	N/A	N/A	100200
GC1212	2510	PS 034N		N/A	A-716-2-1/8 EG	O.D. 2-1/8 -CR	034N040	N/A	N/A	100212
GC1237	N/A	PS 038N		N/A	A-716-2-3/8 EG	O.D. 2-3/8 -CR	038N044	N/A	N/A	100237
GC1262	2511	PS 042N		N/A	A-716-2-5/8 EG	O.D. 2-5/8 -CR	042N048	N/A	N/A	100262
GC1300	N/A	PS 048N		N/A	A-716-3 EG	O.D. 3 -CR	050N054	N/A	N/A	100300
GC1312	2512	PS 050N		N/A	A-716-3-1/8 EG	O.D. 3-1/8 -CR	050N056	N/A	N/A	100312
GC1362	N/A	PS 058N		N/A	A-716-3-5/8 EG	O.D. 3-5/8 -CR	058N064	N/A	N/A	100362
GC1412	2514	PS 066N		N/A	A-716-4-1/8 EG	O.D. 4-1/8 -CR	066N074	N/A	N/A	100412
<b>CUSHION CLAMPS - PIPE</b>										
GC2025	N/A	PS 009N		N/A	P-716-1/4 EG	IPS 1/4 -CR	009N012	N/A	N/A	200025
GC2037	N/A	PS 011N		N/A	P-716-3/8 EG	IPS 3/8 -CR	011N014	N/A	N/A	200037
GC2050	N/A	PS 014N		N/A	P716-1/2 EG	IPS 1/2 -CR	014N018	N/A	N/A	200050
GC2075	N/A	PS 017N		N/A	P-716-3/4 EG	IPS 3/4 -CR	017N022	N/A	N/A	200075
GC2100	N/A	PS 021N		N/A	P-716-1 EG	IPS 1 -CR	021N026	N/A	N/A	200100
GC2125	N/A	PS 027N		N/A	P-716-1-1/4 EG	IPS 1-1/4 -CR	027N032	N/A	N/A	200125
GC2150	N/A	PS 030N		N/A	P-716-1-1/2 EG	IPS 1-1/2 -CR	030N034	N/A	N/A	200150
GC2200	N/A	PS 038N		N/A	P-716-2EG	IPS 2 -CR	038N044	N/A	N/A	200200
GC2250	N/A	PS 046N		N/A	P-716-2-1/2 EG	IPS 2-1/2 -CR	046N052	N/A	N/A	200250
GC2300	N/A	PS 056N		N/A	P-716-3 EG	IPS 3 -CR	056N062	N/A	N/A	200300
GC2350	N/A	PS 064N		N/A	P-716-3-1/2 EG	IPS 3-1/2 -CR	064N072	N/A	N/A	200350
GC2400	N/A	PS 072N		N/A	P-716-4 EG	IPS 4 -CR	072N080	N/A	N/A	200400
GC2500	N/A	PS 089N		N/A	N/A	IPS 5 -CR	089N096	N/A	N/A	200500
GC2600	N/A	PS 106N		N/A	N/A	IPS 6 -CR	106N114	N/A	N/A	200600
<b>CONDUIT CLAMPS - COPPER PLATED O.D. TUBING</b>										
GC111025CT	2301	PS 1200 CC 1/4		N/A	N/A	O.D. CP 3/8	P2024CC	UC400	VT-1025-CP	W-6224C/P
GC111037CT	2302	PS 1200 CC 3/8		N/A	N/A	O.D. CP 1/2	P2025CC	UC401	VT-1037-CP	W-6225C/P
GC111050CT	2303	PS 1200 CC 1/2		N/A	N/A	O.D. CP 5/8	P2026CC	UC402	VT-1050-CP	W-6226C/P
GC111062CT	N/A	PS 1200 CC 5/8		N/A	N/A	O.D. CP 3/4	P2027CC	N/A	VT-1062-CP	W-6227C/P
GC111075CT	2304	PS 1200 CC 3/4		N/A	N/A	O.D. CP 7/8	P2028CC	UC403	VT-1075-CP	W-6228C/P
GC111087CT	N/A	PS 1200 CC 7/8		N/A	N/A	O.D. CP 1-1/8	P2029CC	N/A	VT-1087-CP	W-6229C/P
GC111100CT	2305	PS 1200 CC 1		N/A	N/A	N/A	P2030CC	UC404	VT-1100-CP	W-6230C/P
GC111112CT	N/A	PS 1200 CC 1-1/8		N/A	N/A	O.D. CP 1-3/8	P2031CC	N/A	VT-1112-CP	W-6231C/P
GC111125CT	2306	PS 1200 CC 1-1/4		N/A	N/A	N/A	P2032CC	UC405	VT-1125-CP	W-6232C/P
GC111137CT	N/A	PS 1200 CC 1-3/8		N/A	N/A	O.D. CP 1-5/8	P2033CC	N/A	VT-1137-CP	W-6233C/P
GC111150CT	2307	PS 1200 CC 1-1/2		N/A	N/A	N/A	P2034CC	UC406	VT-1150-CP	W-6234C/P
GC111162CT	N/A	PS 1200 CC 1-5/8		N/A	N/A	N/A	P2035CC	N/A	VT-1162-CP	W-6235C/P
GC111175CT	N/A	PS 1200 CC 1-3/4		N/A	N/A	N/A	P1430CC	UC407	VT-1175-CP	W-6034C/P
GC111187CT	N/A	PS 1200 CC 1-7/8		N/A	N/A	N/A	P2037CC	N/A	VT-1187-CP	W-6237C/P
GC111200CT	2308	PS 1200 CC 2		N/A	N/A	O.D. CP 2-1/8	P2038CC	UC408	VT-1200-CP	W-6238C/P
GC111212CT	N/A	PS 1200 CC 2-1/8		N/A	N/A	N/A	P2039CC	N/A	VT-1212-CP	W-6239C/P
GC111225CT	N/A	PS 1200 CC 2-1/4		N/A	N/A	N/A	P2040CC	N/A	VT-1225-CP	W-6240C/P
GC111237CT	N/A	PS 1200 CC 2-3/8		N/A	N/A	N/A	P1117CC	N/A	VT-1237-CP	W-6138C/P

CROSS  
REFERENCE

(GREGORY) G-STRUT	(ANVIL INTERNATIONAL) ANVIL STRUT	(COOPER) B-LINE	(CULLY) MINERALLAC	(ELITE) ELITE COMPONENTS	(ERICO) ERI-STRUT	(FLEX STRUT) FLEX STRUT	(FLORIDA STRUT) FLORIDA STRUT	(GS METALS) GLOBE STRUT	(HAYDON) H-STRUT
<b>CONDUIT CLAMPS - COPPER PLATED O.D. TUBING</b>									
GC111250CT	N/A	B2042DCU	N/A	9SCOPC250G	N/A	FS-1200-2-1/2-C/P	SCC 0250CP	N/A	C-1101-CT 2-1/5"
GC111262CT	AS 8262-PC	N/A	N/A	N/A	N/A	FS-1200-2-5/8-C/P	N/A	N/A	N/A
GC111275CT	N/A	N/A	N/A	N/A	N/A	FS-1200-2-3/4-C/P	N/A	N/A	N/A
GC111287CT	N/A	N/A	N/A	N/A	N/A	FS-1200-2-7/8-C/P	N/A	N/A	N/A
GC111300CT	N/A	B2046DCU	N/A	9SCOPC300G	N/A	FS-1200-3-C/P	SCC 0300CP	N/A	C-1101-CT 3"
GC111312CT	N/A	N/A	N/A	N/A	N/A	FS-1200-3-1/8-C/P	N/A	N/A	N/A
GC111325CT	N/A	N/A	N/A	N/A	N/A	FS-1200-3-1/4-C/P	N/A	N/A	N/A
GC111337CT	N/A	N/A	N/A	N/A	N/A	FS-1200-3-3/8-C/P	N/A	N/A	N/A
GC111350CT	N/A	B2050DCU	N/A	N/A	N/A	FS-1200-3-1/2-C/P	SCC 0350CP	N/A	C-1101-CT 3-1/2"
GC111362CT	N/A	N/A	N/A	N/A	N/A	FS-1200-3-5/8-C/P	N/A	N/A	N/A
GC111375CT	N/A	N/A	N/A	N/A	N/A	FS-1200-3-3/4-C/P	N/A	N/A	N/A
GC111387CT	N/A	N/A	N/A	N/A	N/A	FS-1200-3-7/8-C/P	N/A	N/A	N/A
GC111400CT	N/A	B2054DCU	N/A	9SCOPC400G	N/A	FS-1200-4-C/P	SCC 0400CP	N/A	C-1101-CT 4"
GC111412CT	N/A	N/A	N/A	N/A	N/A	FS-1200-4-1/8-C/P	N/A	N/A	N/A
GC111425CT	N/A	N/A	N/A	N/A	N/A	FS-1200-4-1/4-C/P	N/A	N/A	N/A
GC111437CT	N/A	N/A	N/A	N/A	N/A	FS-1200-4-3/8-C/P	N/A	N/A	N/A
GC111450CT	N/A	N/A	N/A	N/A	N/A	FS-1200-4-1/2-C/P	N/A	N/A	N/A
GC111462CT	N/A	N/A	N/A	N/A	N/A	FS-1200-4-5/8-C/P	N/A	N/A	N/A
GC111475CT	N/A	N/A	N/A	N/A	N/A	FS-1200-4-3/4-C/P	N/A	N/A	N/A
GC111487CT	N/A	N/A	N/A	N/A	N/A	FS-1200-4-7/8-C/P	N/A	N/A	N/A
GC111500CT	N/A	B2062DCU	N/A	N/A	N/A	FS-1200-5-C/P	SCC 0500CP	N/A	C-1101-CT 5"
GC111512CT	N/A	N/A	N/A	N/A	N/A	FS-1200-5-1/8-C/P	N/A	N/A	N/A
GC111525CT	N/A	N/A	N/A	N/A	N/A	FS-1200-5-1/4-C/P	N/A	N/A	N/A
GC111537CT	N/A	N/A	N/A	N/A	N/A	FS-1200-5-3/8-C/P	N/A	N/A	N/A
GC111550CT	N/A	N/A	N/A	N/A	N/A	FS-1200-5-1/2-C/P	N/A	N/A	N/A
GC111562CT	N/A	N/A	N/A	N/A	N/A	FS-1200-5-5/8-C/P	N/A	N/A	N/A
GC111575CT	N/A	N/A	N/A	N/A	N/A	FS-1200-5-3/4-C/P	N/A	N/A	N/A
GC111587CT	N/A	N/A	N/A	N/A	N/A	FS-1200-5-7/8-C/P	N/A	N/A	N/A
GC111600CT	N/A	B2110DCU	N/A	N/A	N/A	FS-1200-6-C/P	SCC 0600CP	N/A	C-1101-CT 6"
GC111612CT	N/A	N/A	N/A	N/A	N/A	FS-1200-6-1/8-C/P	N/A	N/A	N/A
GC111625CT	N/A	N/A	N/A	N/A	N/A	FS-1200-6-1/4-C/P	N/A	N/A	N/A
GC111637CT	N/A	N/A	N/A	N/A	N/A	FS-1200-6-3/8-C/P	N/A	N/A	N/A
GC111650CT	N/A	N/A	N/A	N/A	N/A	FS-1200-6-1/2-C/P	N/A	N/A	N/A
GC111662CT	N/A	N/A	N/A	N/A	N/A	N/A	N/A	N/A	N/A
GC111675CT	N/A	N/A	N/A	N/A	N/A	FS-1200-6-3/4-C/P	N/A	N/A	N/A
GC111687CT	N/A	N/A	N/A	N/A	N/A	FS-1200-6-7/8-C/P	N/A	N/A	N/A
GC111700CT	N/A	N/A	N/A	N/A	N/A	FS-1200-7-C/P	N/A	N/A	C-1101-CT 7"
GC111712CT	N/A	N/A	N/A	N/A	N/A	FS-1200-7-1/8-C/P	N/A	N/A	N/A
GC111725CT	N/A	N/A	N/A	N/A	N/A	FS-1200-7-1/4-C/P	N/A	N/A	N/A
GC111737CT	N/A	N/A	N/A	N/A	N/A	FS-1200-7-3/8-C/P	N/A	N/A	N/A
GC111750CT	N/A	N/A	N/A	N/A	N/A	FS-1200-7-1/2-C/P	N/A	N/A	N/A
GC111762CT	N/A	N/A	N/A	N/A	N/A	FS-1200-7-5/8-C/P	N/A	N/A	N/A
GC111775CT	N/A	N/A	N/A	N/A	N/A	FS-1200-7-3/4-C/P	N/A	N/A	N/A
GC111787CT	N/A	N/A	N/A	N/A	N/A	FS-1200-7-7/8-C/P	N/A	N/A	N/A
GC111800CT	N/A	B2126DCU	N/A	N/A	N/A	FS-1200-8-C/P	SCC 0800CP	N/A	C-1101-CT 8"
<b>2-HOLE PIPE STRAPS</b>									
G1108050	AS 3126 EG 1/2	B2400-1/2 ZN	N/A	N/A	STR2005EG	FS-7870-1/2	PS2 0050EG	G-8001	C-1108 1/2"
G1108075	AS 3126 EG 3/4	B2400-3/4 ZN	N/A	N/A	STR20075EG	FS-7870-3/4	PS2 0075EG	G-8002	C-1108 3/4"
G1108100	AS 3126 EG 1	B2400-1 ZN	N/A	N/A	STR20100EG	FS-7870-1	PS2 0100EG	G-8003	C-1108 1"
G1108125	AS 3126 EG 1-1/4	B2400-1-1/4 ZN	N/A	N/A	STR20125EG	FS-7870-1-1/4	PS2 0125EG	G-8004	C-1108 1-1/4"
G1108150	AS 3126 EG 1-1/2	B2400-1-1/2 ZN	N/A	N/A	STR20150EG	FS-7870-1-1/2	PS2 0150EG	G-8005	C-1108 1-1/2"
G1108200	AS 3126 EG 2	B2400-2 ZN	N/A	N/A	STR20200EG	FS-7870-2	PS2 0200EG	G-8006	C-1108 2"
G1108250	AS 3126 EG 2-1/2	B2400-2-1/2 ZN	N/A	N/A	STR20250EG	FS-7870-2-1/2	PS2 0250EG	G-8007	C-1108 2-1/2"
G1108300	AS 3126 EG 3	B2400-3 ZN	N/A	N/A	STR20300EG	FS-7870-3	PS2 0300EG	G-8008	C-1108 3"
G1108350	AS 3126 EG 3-1/2	B2400-3-1/2 ZN	N/A	N/A	STR20350EG	FS-7870-3-1/2	PS2 0350EG	G-8009	C-1108 3-1/2"
G1108400	AS 3126 EG 4	B2400-4 ZN	N/A	N/A	STR20400EG	FS-7870-4	PS2 0400EG	G-8010	C-1108 4"
G1108500	AS 3126 EG 5	B2400-5 ZN	N/A	N/A	STR20500EG	FS-7870-5	PS2 0500EG	G-8011	C-1108 5"
G1108600	AS 3126 EG 6	B2400-6 ZN	N/A	N/A	STR20600EG	FS-7870-6	PS2 0600EG	N/A	C-1108 6"
G1108800	N/A	B2400-8 ZN	N/A	N/A	N/A	N/A	N/A	N/A	N/A
<b>1-HOLE TUBING CLAMP</b>									
G1109025	AS 1450 EG 1/4	N/A	N/A	N/A	STR0025EG	FS-7730-1/4	TC1 0025EG	G-7901	C-1109 1/4"
G1109031	N/A	N/A	N/A	N/A	N/A	FS-7730-5/16	TC1 0031EG	G-7902	C-1109 5-16"
G1109037	AS 1450 EG 3/8	N/A	N/A	N/A	STR0037EG	FS-7730-3/8	TC1 0037EG	G-7903	C-1109 3/8"
G1109050	AS 1450 EG 1/2	N/A	N/A	N/A	STR0050EG	FS-7730-1/2	TC1 0050EG	G-7904	C-1109 1/2"
G1109062	AS 1450 EG 5/8	N/A	N/A	N/A	STR0062EG	FS-7730-5/8	TC1 0062EG	G-7905	C-1109 5/8"
G1109075	AS 1450 EG 3/4	N/A	N/A	N/A	STR0075EG	FS-7730-3/4	TC1 0075EG	G-7906	C-1109 3/4"
G1109087	AS 1450 EG 7/8	N/A	N/A	N/A	STR0087EG	FS-7730-7/8	TC1 0087EG	G-7907	C-1109 7/8"
G1109100	AS 1450 EG 1	N/A	N/A	N/A	STR0100EG	FS-7730-1	TC1 0100EG	G-7908	C-1109 1"
<b>CONTINUOUS CONCRETE INSERT</b>									
G3821N1	AS 349 W/O 10	B32-1-240 PG	N/A	N/A	N/A	FS-7355	FS12138CI-20	CI-3812-120	H-142-IN-10
G-3821N2	AS 349 W/O 20	N/A	N/A	N/A	N/A	FS-7358	N/A	CI-3812-240	H-142-IN-20
G-3821N12	N/A	N/A	N/A	N/A	N/A	FS-7353	N/A	N/A ?	H-142-IN-12

CROSS REFERENCE



(GREGORY) G-STRUT	(PHD MFG) PHD STRUT	(TYCO / ALLIED) POWER-STRUT	(POWER-UTILITY PRODUCTS) PUPCO	(SASCO) SASCO STRUT	(THOMAS & BETTS) SUPER-STRUT	(TOLCO) TOL-STRUT	(TYCO) UNI-STRUT	(UNITRON) U.S. STRUT	(VERSABAR CORP) VERSABAR	WESANCO WESTRUT
<b>CONDUIT CLAMPS - COPPER PLATED O.D. TUBING</b>										
GC111250CT	2309	PS 1200 CC 2-1/2		N/A	N/A	O.D. CP 2-5/8	P2042CC	UC409	VT-1250-CP	W-6242C/P
GC111262CT	N/A	PS 1200 CC 2-5/8		N/A	N/A	N/A	P2043CC	N/A	VT-1262-CP	W-6243C/P
GC111275CT	N/A	PS 1200 CC 2-3/4		N/A	N/A	N/A	P2044CC	N/A	VT-1275-CP	W-6244C/P
GC111287CT	N/A	PS 1200 CC 2-7/8		N/A	N/A	N/A	P1118CC	N/A	VT-1287-CP	W-6142C/P
GC111300CT	2310	PS 1200 CC 3		N/A	N/A	O.D. CP 3-1/8	P2046CC	UC410	VT-1300-CP	W-6246C/P
GC111312CT	N/A	PS 1200 CC 3-1/8		N/A	N/A	N/A	P2047CC	N/A	VT-1312-CP	W-6247C/P
GC111325CT	N/A	PS 1200 CC 3-1/4		N/A	N/A	N/A	P2048CC	N/A	VT-1325-CP	W-6248C/P
GC111337CT	N/A	PS 1200 CC 3-3/8		N/A	N/A	N/A	P2049CC	N/A	VT-1337-CP	W-6249C/P
GC111350CT	2311	PS 1200 CC 3-1/2		N/A	N/A	O.D. CP 3-5/8	P1119CC	UC411	VT-1350-CP	W-6146C/P
GC111362CT	N/A	PS 1200 CC 3-5/8		N/A	N/A	N/A	P2051CC	N/A	VT-1362-CP	W-6251C/P
GC111375CT	N/A	PS 1200 CC 3-3/4		N/A	N/A	N/A	P2052CC	N/A	VT-1375-CP	W-6252C/P
GC111387CT	N/A	PS 1200 CC 3-7/8		N/A	N/A	N/A	P2053CC	N/A	VT-1387-CP	W-6253C/P
GC111400CT	2312	PS 1200 CC 4		N/A	N/A	O.D. CP 4-1/8	P1120CC	UC412	VT-1400-CP	W-6150C/P
GC111412CT	N/A	PS 1200 CC 4-1/8		N/A	N/A	N/A	P2055CC	N/A	VT-1412-CP	W-6255C/P
GC111425CT	N/A	PS 1200 CC 4-1/4		N/A	N/A	N/A	P2056CC	UC413	VT-1425-CP	W-6256C/P
GC111437CT	N/A	PS 1200 CC 4-3/8		N/A	N/A	N/A	P2057CC	N/A	VT-1437-CP	W-6257C/P
GC111450CT	N/A	PS 1200 CC 4-1/2		N/A	N/A	N/A	P1121CC	UC414	VT-1450-CP	W-6154C/P
GC111462CT	N/A	PS 1200 CC 4-5/8		N/A	N/A	N/A	P2059CC	N/A	VT-1462-CP	W-6259C/P
GC111475CT	N/A	PS 1200 CC 4-3/4		N/A	N/A	N/A	P2060CC	N/A	VT-1475-CP	W-6260C/P
GC111487CT	N/A	PS 1200 CC 4-7/8		N/A	N/A	N/A	P2061CC	N/A	VT-1487-CP	W-6261C/P
GC111500CT	2313	PS 1200 CC 5		N/A	N/A	O.D. CP 5-1/8	P2062CC	N/A	VT-1500-CP	W-6262C/P
GC111512CT	N/A	PS 1200 CC 5-1/8		N/A	N/A	N/A	P2063CC	N/A	VT-1512-CP	W-6263C/P
GC111525CT	N/A	PS 1200 CC 5-1/4		N/A	N/A	N/A	P2064CC	N/A	VT-1525-CP	W-6264C/P
GC111537CT	N/A	PS 1200 CC 5-3/8		N/A	N/A	N/A	P2065CC	N/A	VT-1537-CP	W-6265C/P
GC111550CT	N/A	PS 1200 CC 5-1/2		N/A	N/A	N/A	P2066CC	N/A	VT-1550-CP	W-6266C/P
GC111562CT	N/A	PS 1200 CC 5-5/8		N/A	N/A	N/A	P2067CC	N/A	VT-1562-CP	W-6267C/P
GC111575CT	N/A	PS 1200 CC 5-3/4		N/A	N/A	N/A	P2068CC	N/A	VT-1575-CP	W-6268C/P
GC111587CT	N/A	PS 1200 CC 5-7/8		N/A	N/A	N/A	P2069CC	N/A	VT-1587-CP	W-6269C/P
GC111600CT	2314	PS 1200 CC 6		N/A	N/A	O.D. CP 6-1/8	P2070CC	N/A	VT-1622-CP	W-6270C/P
GC111612CT	N/A	PS 1200 CC 6-1/8		N/A	N/A	N/A	P2070-61CC	N/A	VT-1612-CP	N/A
GC111625CT	N/A	PS 1200 CC 6-1/4		N/A	N/A	N/A	P2070-62CC	N/A	VT-1625-CP	N/A
GC111637CT	N/A	PS 1200 CC 6-3/8		N/A	N/A	N/A	P2070-63CC	N/A	VT-1637-CP	N/A
GC111650CT	N/A	PS 1200 CC 6-1/2		N/A	N/A	N/A	P2070-64CC	N/A	VT-1650-CP	N/A
GC111662CT	N/A	PS 1200 CC 6-5/8		N/A	N/A	N/A	P1124CC	N/A	VT-1662-CP	N/A
GC111675CT	N/A	PS 1200 CC 6-3/4		N/A	N/A	N/A	P2070-66CC	N/A	VT-1675-CP	N/A
GC111687CT	N/A	PS 1200 CC 6-7/8		N/A	N/A	N/A	P2070-67CC	N/A	VT-1687-CP	N/A
GC111700CT	N/A	PS 1200 CC 7		N/A	N/A	N/A	P2070-70CC	N/A	VT-1700-CP	N/A
GC111712CT	N/A	PS 1200 CC 7-1/8		N/A	N/A	N/A	P2070-71CC	N/A	VT-1712-CP	N/A
GC111725CT	N/A	PS 1200 CC 7-1/4		N/A	N/A	N/A	P2070-72CC	N/A	VT-1725-CP	N/A
GC111737CT	N/A	PS 1200 CC 7-3/8		N/A	N/A	N/A	P2070-73CC	N/A	VT-1737-CP	N/A
GC111750CT	N/A	PS 1200 CC 7-1/2		N/A	N/A	N/A	P2070-74CC	N/A	VT-1750-CP	N/A
GC111762CT	N/A	PS 1200 CC 7-5/8		N/A	N/A	N/A	P2070-75CC	N/A	VT-1762-CP	N/A
GC111775CT	N/A	PS 1200 CC 7-3/4		N/A	N/A	N/A	P2070-76CC	N/A	VT-1775-CP	N/A
GC111787CT	N/A	PS 1200 CC 7-7/8		N/A	N/A	N/A	P2070-77CC	N/A	VT-1787-CP	N/A
GC111800CT	N/A	PS 1200 CC 8		N/A	N/A	N/A	P2070-80CC	N/A	VT-1800-CP	W-6274C/P
<b>2-HOLE PIPE STRAPS</b>										
G1108050	7251 1/2	PS 3126 1/2		N/A	C-708-U-1/2	2 STR 1/2"	P2558-05	N/A	VP-4050	W-7826
G1108075	7252 3/4	PS 3126 3/4		N/A	C-708-U-3/4	2 STR 3/4"	P2558-07	N/A	VP-4075	W-7828
G1108100	7253 1	PS 3126 1		N/A	C-708-U-1	2 STR 1"	P2558-10	N/A	VP-4100	W-7830
G1108125	7254 1-1/4	PS 3126 1-1/4		N/A	C-708-U-1-1/4	2 STR 1 1/4"	P2558-12	N/A	VP-4125	W-7832
G1108150	7255 1-1/2	PS 3126 1-1/2		N/A	C-708-U-1-1/2	2 STR 1 1/2"	P2558-15	N/A	VP-4150	W-7834
G1108200	7256 2	PS 3126 2		N/A	C-708-U-2	2 STR 2"	P2558-20	N/A	VP-4200	W-7838
G1108250	7257 2-1/2	PS 3126 2-1/2		N/A	C-708-U-2-1/2	S STR 2 1/2"	P2558-25	N/A	VP-4250	W-7842
G1108300	7258 3	PS 3126 3		N/A	C-708-U-3	2 STR 3"	P2558-30	N/A	VP-4300	W-7846
G1108350	7259 3-1/2	PS 3126 3-1/2		N/A	C-708-U-3-1/2	2 STR 3 1/2"	P2558-35	N/A	VP-4350	W-7850
G1108400	7260 4	PS 3126 4		N/A	C-708-U-4	2 STR 4"	P2558-40	N/A	VP-4400	W-7854
G1108500	7261 5	PS 3126 5		N/A	C-708-U-5	2 STR 5"	P2558-50	N/A	N/A	W-7862
G1108600	7262 6	PS 3126 6		N/A	C-708-U-6	2 STR 6"	P2558-60	N/A	VP-4600	W-7870
G1108800	7263 8	N/A		N/A	N/A	2 STR 8"	N/A	N/A	N/A	N/A
<b>1-HOLE TUBING CLAMP</b>										
G1109025	7231 1/4	PS 1450 1/4		N/A	N/A	STR 1/4"	P2008	N/A	VT-2025	W-7724
G1109031	7232 5/16	PS 1450 5/16		N/A	N/A	STR 5/16"	P2009	N/A	VT-2031	W-7724A
G1109037	7233 3/8	PS 1450 3/8		N/A	N/A	STR 3/8"	P2010	N/A	VT-2037	W-7725
G1109050	7234 1/2	PS 1450 1/2		N/A	N/A	STR 1/2"	P2012	N/A	VT-2050	W-7726
G1109062	7235 5/8	PS 1450 5/8		N/A	N/A	STR 5/8"	P2014	N/A	N/A	W-7727
G1109075	7236 3/4	PS 1450 3/4		N/A	N/A	STR 3/4"	P2016	N/A	N/A	W-7728
G1109087	7237 7/8	PS 1450 7/8		N/A	N/A	STR 7/8"	P2018	N/A	N/A	W-7729
G1109100	7238 1	PS 1450 1		N/A	N/A	STR 1"	P2020	N/A	N/A	W-7730
<b>CONTINUOUS CONCRETE INSERT</b>										
G382IN1	4001	PS 349 10' CS/EC	N/A	N/A	C-302-10	N/A	P3265	N/A	VC-6120	W-7355 EG 20
G382IN2	4002	PS 349 20' CS/EC	N/A	N/A	C-302-20	N/A	P3270	N/A	VC-6240	W-7355 EG 40
G382IN12	N/A	PS 349 12' CS/EC	N/A	N/A	N/A	N/A	P3266	N/A	VC-6144	W-7353 EG 12

STRUT INDUSTRY PRODUCT CODE CROSS REFERENCE

(GREGORY) G-STRUT	(ANVIL INTERNATIONAL) ANVIL STRUT	(COOPER) B-LINE	(CULLY) MINERALLAC	(ELITE) ELITE COMPONENTS	(ERICO) ERI-STRUT	(FLEX STRUT) FLEX STRUT	(FLORIDA STRUT) FLORIDA STRUT	(GS METALS) GLOBE STRUT	(HAYDON) H-STRUT
<b>CONTINUOUS CONCRETE INSERT</b>									
G1321N1	N/A	B52-I-240 PG	N/A	N/A	N/A	N/A	N/A	CI-1315-120	H-164-IN-10
G1321N2	N/A	N/A	N/A	N/A	N/A	N/A	N/A	CI-1315-240	H-164-IN-20
G1321N12		N/A	N/A	N/A	N/A	N/A	N/A	N/A ?	H-164-IN-12
<b>CONTINUOUS CONCRETE INSERT</b>									
G1021N1	AS 449 W/O 10	N/A	N/A	N/A	N/A	N/A	N/A	CI-1012-120	H-152-IN-10
G1021N2	AS 449 W/O 20	N/A	N/A	N/A	N/A	N/A	N/A	CI-1012-240	H-152-IN-20
<b>CONTINUOUS CONCRETE INSERT</b>									
G5821N1	N/A	B22-I-240 PG	N/A	N/A	N/A	N/A	N/A	CI-5812-120	N/A
G5821N2	N/A	N/A	N/A	N/A	N/A	N/A	N/A	CI-5812-240	N/A
<b>TYPE A END CAPS</b>									
GECPG	N/A	B205 ZN	N/A	N/A	ENDCA120EG	FS-5920	EC100000EG	G-9023	1000-EC-1
GECPG1	N/A	B221 ZN	N/A	N/A	N/A	FS-5915	N/A	N/A	N/A
GECPG2	AS 930	B220 ZN	N/A	N/A	ENDCC140EG	FS-5935	EC120000EG	G-9027	N/A
<b>TYPE B END CAPS</b>									
GECPG3	N/A	B3322 ZN	N/A	N/A	N/A	N/A	CI200000EG	G-9023	N/A
GECPG4	N/A	B3332 ZN	N/A	N/A	N/A	N/A	CI210000EG	G-9024	N/A
GECPG5	N/A	B3342 ZN	N/A	N/A	N/A	N/A	N/A	G-9025	N/A
GECPG6	N/A	B3352 ZN	N/A	N/A	N/A	N/A	N/A	G-9026	N/A
GECPG7	N/A	N/A	N/A	N/A	N/A	N/A	N/A	**G-9211 (2-7/8)	N/A
GECPG8	N/A	N/A	N/A	N/A	N/A	N/A	N/A	**G-9210 (3-1/32)	N/A
<b>STRUT SAFETY END CAP</b>									
GEC13	AS 6153 5 WHITE	B852 W	N/A	N/A	N/A	N/A	EC080000VC	N/A	END CAP-5
GEC14	AS 6153 3 WHITE	N/A	N/A	N/A	N/A	N/A	N/A	N/A	END CAP-3
GEC15	AS 6153 2 WHITE	B822 W	N/A	N/A	N/A	FS-5960-2W	EC090000VC	N/A	END CAP-2
GEC16	AS 6153 1 WHITE	B822A W	N/A	N/A	N/A	FS-5960-1W	N/A	N/A	END CAP-1
<b>SLOTTED ANGLE</b>									
G15410GL	N/A	N/A	N/A	N/A	N/A	FA-110 PG	N/A	N/A	N/A
G15412GL	N/A	N/A	N/A	N/A	N/A	FA-112 PG	SA0300PG	N/A	N/A
G25410GL	N/A	N/A	N/A	N/A	N/A	FA-210 PG	SA0225PG	N/A	N/A
G25412GL	N/A	N/A	N/A	N/A	N/A	FA-212 PG	N/A	N/A	N/A
G35210GL	N/A	N/A	N/A	N/A	N/A	FA-310 PG	N/A	N/A	N/A
G35212GL	N/A	N/A	N/A	N/A	N/A	FA-312 PG	N/A	N/A	N/A

CROSS REFERENCE

(GREGORY) G-STRUT	(PHD MFG) PHD STRUT	(TYCO / ALLIED) POWER-STRUT	(POWER-UTILITY PRODUCTS) PUPCO	(SASCO) SASCO STRUT	(THOMAS & BETTS) SUPER-STRUT	(TOLCO) TOL-STRUT	(TYCO) UNI-STRUT	(UNITRON) U.S. STRUT	(VERSABAR CORP) VERSABAR	WESANCO WESTRUT
<b>CONTINUOUS CONCRETE INSERT</b>										
G132IN1	4101	N/A	N/A	N/A	B-302-10	N/A	P3365	N/A	VC-4120	N/A
G132IN2	4102	N/A	N/A	N/A	B-302-20	N/A	P3370	N/A	VC-4240	N/A
G132IN12	N/A	N/A	N/A	N/A	N/A	N/A	P3366		VC-4144	N/A
<b>CONTINUOUS CONCRETE INSERT</b>										
G102IN1	4201	PS 449 10' CS/EC	N/A	S5C1 10 EG	N/A	N/A	N/A	N/A	VC-10120	W-7555 EG 20
G102IN2	4202	PS 449 20' CS/EC	N/A	N/A	N/A	N/A	N/A	N/A	VC-10240	W-7558 EG 40
<b>CONTINUOUS CONCRETE INSERT</b>										
G582IN1	4301	N/A	N/A	S2C1 10 EG	N/A	N/A	N/A	N/A	VC-1120	W-7255 EG 20
G582IN2	4302	N/A	N/A	N/A	N/A	N/A	N/A	N/A	VC-1240	W-7258 EG 40
<b>TYPE A END CAPS</b>										
GECPG	4405	PS 655	N/A	S730E-EG	A804	N/A	P2407	UE104	VF-1001-2	W-5930
GECPG1	N/A	PS 2580	N/A	S733E-EG	N/A	N/A	N/A	N/A	N/A	W-5910
GECPG2	4406	PS 930	N/A	S734E-EG	B804	N/A	N/A	UE101	VF-1001-4	W-5935
<b>TYPE B END CAPS</b>										
GECPG3	4470	N/A	N/A	N/A	N/A	N/A	N/A	UE304	N/A	W-5952
GECPG4	4440	N/A	N/A	N/A	N/A	N/A	N/A	UE303	N/A	W-5953
GECPG5	4450	N/A	N/A	N/A	N/A	N/A	N/A	UE302	N/A	W-5958
GECPG6	4460	N/A	N/A	N/A	N/A	N/A	N/A	N/A	N/A	N/A
GECPG7	N/A	N/A	N/A	N/A	N/A	N/A	P4703	N/A	N/A	N/A
GECPG8	N/A	N/A	N/A	N/A	N/A	N/A	**P1704 (3-17/32)	N/A	N/A	N/A
<b>STRUT SAFETY END CAP</b>										
GEC13	N/A	N/A	N/A	N/A	A 804 NEOP-WH	N/A	P2860-10	UE401	N/A	W-5935-M
GEC14	N/A	N/A	N/A	N/A	N/A	N/A	N/A	N/A	N/A	N/A
GEC15	N/A	N/A	N/A	N/A	B-804-NEOP-WH	N/A	P2860-50	UE404	N/A	W-5900-M
GEC16	N/A	N/A	N/A	N/A	H-804-NEOP-WH	N/A	N/A	N/A	N/A	N/A
<b>SLOTTED ANGLE</b>										
G15410GL	N/A	N/A	N/A	N/A	N/A	N/A	N/A	N/A	N/A	N/A
G15412GL	N/A	N/A	N/A	N/A	N/A	N/A	N/A	N/A	N/A	N/A
G25410GL	N/A	N/A	N/A	N/A	N/A	N/A	N/A	N/A	N/A	N/A
G25412GL	N/A	N/A	N/A	N/A	N/A	N/A	N/A	N/A	N/A	N/A
G35210GL	N/A	N/A	N/A	N/A	N/A	N/A	N/A	N/A	N/A	N/A
G35212GL	N/A	N/A	N/A	N/A	N/A	N/A	N/A	N/A	N/A	N/A



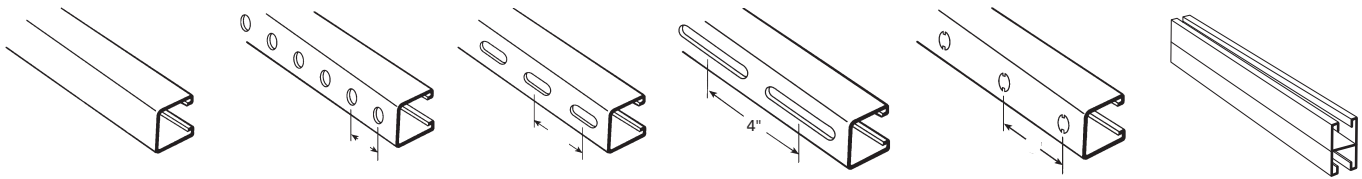
## SECTION 9

### PRICE LIST

General:

See your representative for a discount multiplier for volume purchases.

### G-Strut Profiles



#### Section 1 Strut Channels

Catalog No.	Std. Bndl. (ft.)	Wt. per 100'	Cat Pg. #	LIST PRICE (per 100')
G8121	500	313	12	\$ 1200.00
G8122	500	313	12	1200.00
G812H1	500	313	12	1200.00
G812H2	500	313	12	1200.00
G812OS1	500	313	12	1200.00
G812OS2	500	313	12	1200.00
G812LS1	500	313	12	1200.00
G812LS2	500	313	12	1200.00
G812A1	500	626	12	3500.00
G812A2	500	626	12	3500.00
G812KO1	500	313	12	1400.00
G812KO2	500	313	12	1400.00
G8121POP	500	313	12	1500.00
G8122POP	500	13	12	1500.00
G812H1POP	500	313	12	1500.00
G812H2POP	500	313	12	1500.00
G812OS1POP	500	313	12	1500.00
G812OS2POP	500	313	12	1500.00
G812LS1POP	500	313	12	1500.00
G812LS2POP	500	313	12	1500.00
G812A1POP	500	626	12	4000.00
G812A2POP	500	626	12	4000.00
G812KO1POP	500	313	12	2000.00
G812KO2POP	500	313	12	2000.00
G812YZ	500	313	12	*
G812PO	500	313	12	*
G812HDG	500	313	12	*
G812PVC	500	313	12	*

Catalog No.	Std. Bndl. (ft.)	Wt. per 100*	Cat Pg. #	LIST PRICE (per 100')
G712KO1	500	244	13	\$ 950.00
G712KO2	500	244	13	950.00
G7121POP	500	244	13	800.00
G7122POP	500	244	13	800.00
G712H1POP	500	244	13	800.00
G712H2POP	500	244	13	800.00
G712OS1POP	500	244	13	800.00
G712OS2POP	500	244	13	800.00
G712LS1POP	500	244	13	800.00
G712LS2POP	500	244	13	800.00
G712A1POP	500	488	13	3500.00
G712A2POP	500	488	13	3500.00
G712KO1POP	500	244	13	1100.00
G712KO2POP	500	244	13	1100.00
G712YZ	500	244	13	*
G712GN	500	244	13	*
G712PO	500	244	13	*
G712HDG	500	244	13	*
G712PVC	500	244	13	*

Catalog No.	Std. Bndl. (ft.)	Wt. per 100*	Cat Pg. #	LIST PRICE (per 100')
G5821	500	181	14	\$ 326.00
G5822	500	181	14	326.00
G582H1	500	181	14	326.00
G582H2	500	181	14	326.00
G582OS1	500	181	14	326.00
G582OS2	500	181	14	326.00
G582LS1	500	181	14	326.00
G582LS2	500	181	14	326.00
G582A1	500	362	14	1200.00
G582A2	500	362	14	1200.00
G582KO1	500	181	14	550.00
G582KO2	500	181	14	550.00
G5821POP	500	181	14	364.00
G5822POP	500	181	14	364.00
G582H1POP	500	181	14	364.00
G582H2POP	500	181	14	364.00
G582OS1POP	500	181	14	364.00
G582OS2POP	500	181	14	364.00
G582LS1POP	500	181	14	364.00
G582LS2POP	500	181	14	364.00
G582A1POP	500	362	14	1400.00

Catalog No.	Std. Bndl. (ft.)	Wt. per 100'	Cat Pg. #	LIST PRICE (per 100')
G7121	500	244	13	\$ 700.00
G7122	500	244	13	700.00
G712H1	500	244	13	700.00
G712H2	500	244	13	700.00
G712OS1	500	244	13	700.00
G712OS2	500	244	13	700.00
G712LS1	500	244	13	700.00
G712LS2	500	244	13	700.00
G712A1	500	488	13	3000.00
G712A2	500	488	13	3000.00

PRICE LIST

Catalog No.	Std. Bndl. (ft.)	Wt. per 100'	Cat Pg. #	LIST PRICE (per 100')
G582A2POP	500	362	14	\$ 1400.00
G582KO1POP	500	181	14	600.00
G582KO2POP	500	181	14	600.00
G582YZ	500	181	14	*
G582AL	500	181	14	*
G582GN	500	181	14	*
G582PO	500	181	14	*
G582HDG	500	181	14	*
G582SS	500	181	14	*
G582PVC	500	181	14	*

Catalog No.	Std. Bndl. (ft.)	Wt. per 100'	Cat Pg. #	LIST PRICE (per 100')
G5841	500	140	16	\$ 295.00
G5842	500	140	16	295.00
G584H1	500	140	16	295.00
G584H2	500	140	16	295.00
G584OS1	500	140	16	295.00
G584OS2	500	140	16	295.00
G584LS1	500	140	16	295.00
G584LS2	500	140	16	295.00
G584A1	500	280	16	1800.00
G584A2	500	280	16	1800.00
G584KO1	500	140	16	500.00
G584KO2	500	140	16	500.00
G5841POP	500	140	16	350.00
G5842POP	500	140	16	350.00
G584H1POP	500	140	16	350.00

Catalog No.	Std. Bndl. (ft.)	Wt. per 100'	Cat Pg. #	LIST PRICE (per 100')
G584H2POP	500	140	16	\$ 350.00
G584OS1POP	500	140	16	350.00
G584OS2POP	500	140	16	350.00
G584LS1POP	500	140	16	350.00
G584LS2POP	500	140	16	350.00
G-584A-1POP	500	280	16	1900.00
G-584-A-2POP	500	280	16	1900.00
G-584-KO-1POP	500	140	16	600.00
G-584-KO-2POP	500	140	16	600.00
G-584-YZ	500	140	16	*
G-584-GN	500	140	16	*
G-584-PO	500	140	16	*
G-584-HDG	500	140	16	*
G-584-SS	500	140	16	*
G-584-PVC	500	140	16	*

Catalog No.	Std. Bndl. (ft.)	Wt. per 100'	Cat Pg. #	LIST PRICE (per 100')
G3821	500	167	17	\$ 350.00
G3822	500	167	17	350.00
G382H1	500	167	17	350.00
G382H2	500	167	17	350.00
G382OS1	500	167	17	350.00
G382OS2	500	167	17	350.00
G382LS1	500	167	17	350.00
G382LS2	500	167	17	350.00
G382A1	500	334	17	2000.00
G382A2	500	334	17	2000.00
G382KO1	500	167	17	600.00
G382KO2	500	167	17	600.00
G3821POP	500	167	17	450.00
G3822POP	500	167	17	450.00
G382H1POP	500	167	17	450.00
G382H2POP	500	167	17	450.00
G382OS1POP	500	167	17	450.00
G382OS2POP	500	167	17	450.00
G382LS1POP	500	167	17	450.00
G382LS2POP	500	167	17	450.00
G382A1POP	500	334	17	2200.00
G382A2POP	500	334	17	2200.00
G382KO1POP	500	167	17	550.00
G382KO2POP	500	167	17	550.00
G382YZ	500	167	17	*
G382GN	500	167	17	*
G382PO	500	167	17	*
G382HDG	500	167	17	*
G382PVC	500	167	17	*

\* Consult factory for information



Catalog No.	Std. Bndl. (ft.)	Wt. per 100'	Cat Pg. #	LIST PRICE (per 100')
G1021	500	141	18	\$ 330.00
G1022	500	141	18	330.00
G102H1	500	141	18	330.00
G102H2	500	141	18	330.00
G102OS1	500	141	18	330.00
G102OS2	500	141	18	330.00
G102LS1	500	141	18	330.00
G102LS2	500	141	18	330.00
G102A1	500	282	18	2000.00
G102A2	500	282	18	2000.00
G102KO1	500	141	18	600.00
G102KO2	500	141	18	600.00
G1021POP	500	141	18	700.00
G1022POP	500	141	18	450.00
G102H1POP	500	141	18	450.00
G102H2POP	500	141	18	450.00
G102OS1POP	500	141	18	450.00
G102OS2POP	500	141	18	450.00
G102LS1POP	500	141	18	450.00
G102LS2POP	500	141	18	450.00
G102A1POP	500	282	18	2200.00
G102A2POP	500	282	18	2200.00
G102KO1POP	500	141	18	800.00
G102KO2POP	500	141	18	800.00
G102YZ	500	141	18	*
G102GN	500	141	18	*
G102PO	500	141	18	*
G102HDG	500	141	18	*
G102PVC	500	141	18	*

Catalog No.	Std. Bndl. (ft.)	Wt. per 100'	Cat Pg. #	LIST PRICE (per 100')
G7821	500	135	19	\$ 500.00
G7822	500	135	19	500.00
G782H1	500	135	19	500.00
G782H2	500	135	19	500.00
G782OS1	500	135	19	500.00
G782OS2	500	135	19	500.00
G782LS1	500	135	19	500.00
G782LS2	500	135	19	500.00
G782A1	500	270	19	2000.00
G782A2	500	270	19	2000.00
G782KO1	500	135	19	650.00
G782KO2	500	135	19	650.00
G7821POP	500	135	19	600.00
G7822POP	500	135	19	600.00
G782H1POP	500	135	19	600.00
G782H2POP	500	135	19	600.00

Catalog No.	Std. Bndl. (ft.)	Wt. per 100'	Cat Pg. #	LIST PRICE (per 100')
G782OS1POP	500	135	19	\$ 600.00
G782OS2POP	500	135	19	600.00
G782LS1POP	500	135	19	600.00
G782LS2POP	500	135	19	600.00
G782A1POP	500	270	19	3000.00
G782A2POP	500	270	19	3000.00
G782KO1POP	500	135	19	750.00
G782KO2POP	500	135	19	750.00
G782YZ	500	135	19	*
G782PO	500	135	19	*
G782HDG	500	135	19	*
G782PVC	500	135	19	*

Catalog No.	Std. Bndl. (ft.)	Wt. per 100'	Cat Pg. #	LIST PRICE (per 100')
G1321	500	132	20	\$ 290.00
G1322	500	132	20	290.00
G132H1	500	132	20	290.00
G132H2	500	132	20	290.00
G132OS1	500	132	20	290.00
G132OS2	500	132	20	290.00
G132LS1	500	132	20	290.00
G132LS2	500	132	20	290.00
G132A1	500	264	20	1800.00
G132A2	500	264	20	1800.00
G132KO1	500	132	20	500.00
G132KO2	500	132	20	500.00
G1321POP	500	132	20	350.00
G1322POP	500	132	20	350.00
G132H1POP	500	132	20	350.00
G132H2POP	500	132	20	350.00
G132OS1POP	500	132	20	350.00
G132OS2POP	500	132	20	350.00
G132LS1POP	500	132	20	350.00
G132LS2POP	500	132	20	350.00
G132A1POP	500	264	20	1900.00
G132A2POP	500	264	20	1900.00
G132KO1POP	500	132	20	600.00
G132KO2POP	500	132	20	600.00
G132YZ	500	132	20	*
G132GN	500	132	20	*
G132PO	500	132	20	*
G132HDG	500	132	20	*
G132PVC	500	132	20	*

Section 2 Hardware

Catalog No.	Std. Bndl. (ft.)	Wt. per 100'	Cat Pg. #	LIST PRICE (per 100')
G1341	500	101	22	\$ 240.00
G1342	500	101	22	240.00
G134H1	500	101	22	240.00
G134H2	500	101	22	240.00
G134OS1	500	101	22	240.00
G134OS2	500	101	22	240.00
G134LS1	500	101	22	240.00
G134LS2	500	101	22	240.00
G134A1	500	202	22	1000.00
G134A2	500	202	22	1000.00
G134KO1	500	101	22	450.00
G134KO2	500	101	22	450.00
G1341POP	500	101	22	280.00
G1342POP	500	101	22	280.00
G134H1POP	500	101	22	280.00
G134H2POP	500	101	22	280.00
G134OS1POP	500	101	22	280.00
G134OS2POP	500	101	22	280.00
G134LS1POP	500	101	22	280.00
G134LS2POP	500	101	22	280.00
G134A1POP	500	202	22	1200.00
G134A2POP	500	202	22	1200.00
G134KO1POP	500	101	22	550.00
G134KO2POP	500	101	22	550.00
G134YZ	500	101	22	*
G134AL	500	101	22	*
G134GN	500	101	22	*
G134PO	500	101	22	*
G134HDG	500	101	22	*
G134SS	500	101	22	*
G134PVC	500	101	22	*

Catalog No.	Product Description	Wt. per 100'	Cat Pg. #	LIST PRICE (per piece)
GN800	Nut-no spr.	6	24	\$ .91
GN801		9	24	.95
GN802		9	24	1.05
GN803		12	24	1.16
GN804		13	24	2.24
GN805		13	24	3.43
GN806		13	24	2.24
GN807		13	24	3.43
GN808		7	24	1.26
GN809		13	24	4.20
GN810		7	24	1.05
GN811		9	24	1.12
GN812		9	24	1.26
GN814		10	24	2.66
GN815		9	24	6.65
GN818		7	24	1.19
GN820		7	24	.85
GN821		10	24	.95
GN822		10	24	1.12
GN823		13	24	1.19
GN824		13	24	2.94
GN825		13	24	2.66
GN828		7	24	1.05
GN829		13	24	4.20
GN830		7	24	1.33
GN831		10	24	1.33
GN832		10	24	1.54
GN833		13	24	1.54
GN834		13	24	5.81
GN835		13	24	6.02
GN838		7	24	6.58

Catalog No.	Product Description	Wt. per 100'	Cat Pg. #	LIST PRICE (per piece)
GTSN800	Top Spr. nut	6	25	\$ 1.33
GTSN801		9	25	1.54
GTSN802		9	25	1.54
GTSN808		7	25	3.78
GHH25050	Hex Hd. Scr.	1	25	.25
GHH25075		1.3	25	.30
GHH25100		1.7	25	.30
GHH375075		4	25	.60
GHH375100		4.5	25	.70
GHH375125		5.3	25	.85
GHH375150		6.1	25	.95
GHH375200		7.6	25	1.25
GHH375225		8.5	25	1.50
GHH50100		9.1	25	1.45
GHH50125		10	25	1.60
GHH50150		11.6	25	1.80
GHH50175		13.2	25	2.25
GHH50200		14.7	25	2.50
GHH50225		16	25	.30
GHH50250		17.5	25	.30
GLW025	Lock washer	.7	25	.10
GLW375		1.5	25	.20
GLW050		3.5	25	.35
GFW025	Flat washer	.7	25	.15
GFW375		1.5	25	.30

PRICE LIST

Catalog No.	Product Description	Wt. per 100'	Cat Pg. #	LIST PRICE (per piece)
GFDW025	Fender Washers	3.0	25	\$ 8.00
GFDW037		3.0	25	10.00
GFDW050		3.0	25	20.00
GHN025	Hex nuts	.6	25	.15
GHN3125		1.2	25	.20
GHN375		1.6	25	.60
GHN050		4.8	25	1.20

Catalog No.	Product Description	Wt. per 100'	Cat Pg. #	LIST PRICE (per piece)
GFH062	Flat screw	1.2	26	\$ .10
GFH100		2.6	26	.10
GFH200		6.5	26	.10
GFH225		7.1	26	.10
GFH250		7.7	26	.10
GRH1075	Round screw	1.2	26	.10
GRH1100		1.5	26	.10
GRH1125		1.8	26	.10
GRH2100		2.6	26	.10
GRH2125		3	26	.10
GRH2150		3.5	26	.10
GRH3100		4.1	26	.10
GRH3025		4.7	26	.10
GRH3150		5.3	26	.10
GRH3250		7.7	26	.10
GSN025	Square nuts	.9	26	.25
GSN3125		16	26	.50
GSN375		2.7	26	.50
GSN050		5.8	26	.70
GAT025	All-thread rod	12	26	1.01/ft.
GAT037		30	26	1.18/ft.
GAT050		54	26	1.65/ft.
GAT062		85	26	3.31/ft.
GAT075		125	26	4.30/ft.
GRC025	Rod couplers	2	26	1.00
GRC037		11	26	1.00
GRC050		11	26	1.00
GRC062		16	26	3.00
GRC075		28	26	4.00

### Section 3 Fittings & Accessories

Catalog No.	Product Description	Wt. per 100'	Cat Pg. #	LIST PRICE (per piece)	
G201025	Sq. washer	18	27	\$ .90	
G201031		18	27	.90	
G201037		18	27	.90	
G201050		17	27	.90	
G201062		16	27	.90	
G201075	Sq.w no turn	15	27	.90	
G202025		18	27	1.10	
G202031		18	27	1.10	
G202037		17	27	1.10	
G202050		17	27	1.10	
G202062		16	27	1.10	
G202075		16	27	1.10	
G2031		2 hole plate	50	27	1.96
G2032		2 hole splice	35	27	1.82

Catalog No.	Product Description	Wt. per 100'	Cat Pg. #	LIST PRICE (per piece)
G2033	Splice plt	34	27	\$ 1.82
G205	4 hole splice	76	27	3.36
G2051	4 hole splice	55	27	11.10
G206	3 hole splice	50	27	2.52
G2061	3 hole splice	50	27	2.52
G207	3 hole swivel	69	27	4.90
G2071	2 hole swivel	56	27	9.62
G208	5 hole splice	96	27	10.78
G210	3 hole flt plate	56	27	4.06

Catalog No.	Product Description	Wt. per 100'	Cat Pg. #	LIST PRICE (per piece)
G211	3 hole corner	70	29	\$ 5.46
G212	3 hole connect	70	29	4.55
G213	4 hole tee plt	75	29	4.76
G214	4 hole join plt	75	29	4.97
G216	5 hole crss plt	100	29	8.74
G217	4 hole connect	100	29	5.88
G218	4 hole connect	102	29	5.39
G219	5 hole connect	143	29	8.26
G2191	5 hole connect	145	29	9.10
G220	7 hole connect	232	29	20.65
G221	6 hole connect	149	29	12.95
G222	6 hole crss c.	166	29	19.95
G301	2 hole angle	37	29	2.31
G302	2 hole angle	37	29	2.31

Catalog No.	Product Description	Wt. per 100'	Cat Pg. #	LIST PRICE (per piece)
G3031	2 hole no twist	49	30	\$ 2.24
G3032		54	30	3.22
G3033		61	30	3.36
G304	2 hole no twist	39	30	4.20
G3051	3 hole bracket	57	30	4.06
G306	3 hole connect	58	30	2.94
G3061	1 hole angle	48	30	3.99
G3062		83	30	2.94
G3063		105	30	2.31
G3064		130	30	3.50
G3071	3 hole corner sh	72	30	6.10
G308	4 hole shelf	148	30	6.86
G309	4 hole join c.	105	30	7.00
G310	4 hole duplex	103	30	9.80
G311	4 hole angle	78	30	3.28
G3111	4 hole angle	76	30	3.28
G3112	4 hole angle	76	30	3.28
G312	4 hole bent tee	77	30	9.52
G313	5 hole duplex	135	30	20.50

Catalog No.	Product Description	Wt. per 100'	Cat Pg. #	LIST PRICE (per piece)
G314	5 hole joint	141	31	\$ 23.00
G315	Slotted joint c.	180	31	10.50
G3151		256	31	12.95
G3171		58	31	3.50
G3172		58	31	3.50
G3191	2 hole angle br	63	31	3.36
G3192		63	31	3.36

Catalog No.	Product Description	Wt. per 100'	Cat Pg. #	LIST PRICE (per piece)
G3193		63	31	\$ 3.36
G3194	Angle bracket	63	31	3.36
G3195		63	31	3.36
G3196		63	31	3.36
G3197	Open angle br	59	31	3.36
G3198		59	31	3.36
G3199		59	31	3.36
G31910		59	31	3.36
G31911		59	31	2.94
G3201	4 hole open	78	31	5.95
G3202		78	31	5.95
G3203		78	31	5.95
G3204		78	31	5.95
G3205		78	31	5.95
G3206		78	31	5.95
G3207		78	31	5.95
G3208		78	31	5.95
G3209		78	31	5.95
G32010		78	31	5.95
G32011		78	31	5.95

Catalog No.	Product Description	Wt. per 100'	Cat Pg. #	LIST PRICE (per piece)
G32001	4 hole closed	100	32	\$ 5.95
G32002		100	32	5.95
G32003		100	32	5.95
G32004		100	32	5.95
G32005		100	32	5.95
G32006		100	32	5.95
G32007		100	32	5.95
G321L	3 hole single	54	32	6.65
G321R		54	32	6.65
G32112L	6 hole single	120	32	8.96
G32112R		120	32	8.96
G322	Z angle	54	32	3.85
G323	Z angle	50	32	4.20
G3231		66	32	4.20
G3232		53	32	4.20
G3233		47	32	4.20
G3234		70	32	5.25
G3235		90	32	8.82

Catalog No.	Product Description	Wt. per 100'	Cat Pg. #	LIST PRICE (per piece)
G326	4 hole double	76	33	\$ 6.16
G3261	8 hole double	155	33	9.73
G327	5 hole double	93	33	7.35
G3271	10 hole double	193	33	13.65
G3281	6 hole triple	107	33	8.05
G329	12 hole triple	230	33	16.80
G3291	5 hole angle	100	33	15.42
G3292		100	33	15.42
G330L	3 hole angle	54	33	10.50
G330R		54	33	10.50
G331	3 hole adjust	59	33	9.14
G332	2 hole tapped	33	33	8.00
G333	2 hole adjust	36	33	6.78

Catalog No.	Product Description	Wt. per 100'	Cat Pg. #	LIST PRICE (per piece)
G334	2 hole adjust	97	33	\$ 12.76
G335	Univers shelf	134	33	12.76
G335W	Univers shelf	134	33	12.76
G336	Slotted angle	58	34	4.55
G3361	Slotted angle	85	34	5.60
G337	Slotted angle	38	34	3.15
G3381	2 hole offset angle	48	34	5.25
G3382		53	34	5.95
G3383		60	34	6.65
G339	3 hole offset	71	34	10.15
G340	5 hole offset	100	34	18.22
G3411	4 hole offset	76	34	6.65
G3412		76	34	6.65
G34101	Z angle duct	89	34	5.46
G34102		78	34	4.83
G34103		62	34	4.13
G3421	4 hole joint	100	34	8.75
G3422		100	34	8.75
G3431	4 hole joint	100	34	8.75
G3432		100	34	8.75

Catalog No.	Product Description	Wt. per 100'	Cat Pg. #	LIST PRICE (per piece)
G344	2 hole duct	37	35	\$ 2.31
G3461	Channel hang	7	35	3.85
G3462		9	35	4.20
G3463		11	35	5.60
G3464		13	35	5.95
G347	Tapped Z ang	51	35	10.32
G348	3 hole sheath	68	35	6.65
G349	Adj Z angle	102	35	13.65
G350	8 hole double	177	35	10.71
G351	9 hole triple	202	35	9.52
G352	8 hole double	217	35	16.80
G353L	10 hole double	285	35	31.50
G6011	"U" Support	75	35	9.10
G6012		84	35	10.00
G6013		85	35	12.00
G6014		108	35	16.68
G6015		116	35	17.50
G6016		125	35	18.50

Catalog No.	Product Description	Wt. per 100'	Cat Pg. #	LIST PRICE (per piece)
G6017		166	36	\$ 8.96
G6018		157	36	10.00
G6021	"U" Support	103	36	16.00
G6022		115	36	18.00
G6023		135	36	19.50
G603		280	36	27.00
G6031	Knee brace	232	36	23.10
G6032		175	36	23.10
G6041	3 Hole splice	195	36	11.76
G605L	Pipe axle supp	225	36	23.10
G605R		225	36	23.10
G6061	4 Hole splice	275	36	12.40
G6062		200	36	11.50
G6063		200	36	11.50
G607	2 Hole splice	76	36	6.65

# G-STRUT®

## Section 9

Catalog No.	Product Description	Wt. per 100'	Cat Pg. #	LIST PRICE (per piece)
G6081	Tubing knee br	145	36	\$ 26.76
G6082		186	36	30.18
G6083		225	36	33.78
G6084		266	36	37.38
G6085		307	36	42.20
G6086		348	36	44.30
G6087		389	36	49.30
G6088		430	36	55.80

Catalog No.	Product Description	Wt. per 100'	Cat Pg. #	LIST PRICE (per piece)
GTB6081	2 Hole str tube	133	37	\$ 29.80
GTB6082		174	37	31.60
GTB6083		215	37	32.60
GTB6084		256	37	33.46
GTB6085		295	37	37.18
GTB6086		335	37	39.72
GTB6087		380	37	44.10
GTB6088		420	37	47.10
GTB6089		500	37	54.70
GTB60810		585	37	58.40
GTB60811		670	37	67.30
G6091	5 Hole "U"	200	37	12.60
G6092		123	37	11.20
G6094	5 Hole "U"	105	37	11.20
G6095		100	37	11.20
G610	Double U chn	105	37	10.50
G611	Trolley beam	220	37	12.67
G6111	Vertical U chn	102	37	26.52
G613	Inters. U supp	171	37	13.23

Catalog No.	Product Description	Wt. per 100'	Cat Pg. #	LIST PRICE (per piece)
G6221	2 hole clevis	57	38	\$ 8.82
G6222		73	38	9.94
G6223		84	38	12.16
G6224		78	38	9.38
G6225		89	38	10.24
G6226		107	38	11.26
G6227		112	38	12.28
G6228		124	38	12.92
G623	3 Hole clevis	75	38	11.48
G624	3 Hole susp cl.	75	38	18.10
G625	4 hole susp cl.	71	38	9.70
G617	3 Hole U supp	95	38	14.20
G618	5 Hole U supp	51	38	6.40
GCLPL	Closure strips	48	38	10.50
GCLPG		45	38	28.00

Catalog No.	Product Description	Wt. per 100'	Cat Pg. #	LIST PRICE (per piece)
G619	Single post	307	39	\$ 18.90
G619A	Double post	325	39	26.60
G619FL	Single post	230	39	18.90
G619AFL	Double post	250	39	27.00
G619ASQ	Double post	307	39	18.90

Catalog No.	Product Description	Wt. per 100'	Cat Pg. #	LIST PRICE (per piece)
G619SQ	Single post	314	39	\$ 18.90
G620	Single post	373	39	18.90
G620A	Double post	408	39	22.40
G620AFL	Double post	320	40	62.88
G620FL	Single post	312	40	35.44
G620FL1	Single post	312	40	35.44
G620ASQ	Double post	408	40	18.90
G620SQ	Single post	373	40	18.90
G401	Beam Clamp	100	40	8.75
G402	U bolt beam cl	25	40	4.55
G4021		25	40	4.90
G403	Single bolt slt	26	41	7.35
G406	Flange contact	63	41	8.12
G407	Flange contact	72	41	9.24
G4071		94	41	7.00
G408 1/4	Flange insert	41	41	3.85
G408 3/8		62	41	6.44
G4082		62	41	6.44
G4101	Beam clamp	67	41	29.00
G4102		67	41	35.00
G4103		67	41	41.00
G4104		100	41	47.00
G4105		100	41	53.00
G4106		130	41	59.00
G4107		130	41	65.00
G4108		160	41	71.00
G4109		160	41	77.00
G4111	Beam clamp	67	41	14.70
G4112		151	41	7.35
G4113		195	41	20.72

Catalog No.	Product Description	Wt. per 100'	Cat Pg. #	LIST PRICE (per piece)
G4141	Small mouth	21	42	\$ 12.67
G4142	beam clamp	41	42	13.33
G4143		75	42	20.00
GM601	Stair support	206	42	16.10
GM602	Stair support	220	42	16.10
GM6101	Ladder rung	176	42	20.30
GM6102		202	42	23.10
GM6103		234	42	25.90
GM6111	Wall bracket	110	42	16.50
GM6112		164	42	22.90
GM6113		200	42	29.50
GM6114		253	42	32.00
GM6115		318	42	36.00
GT6121		150	42	27.56
GT6122		250	42	34.08
GT6123		350	42	40.60
GT6124		450	42	47.12
GT613	Bracket	190	42	28.88
GT6131		290	42	39.90
GT615	Bracket	230	42	50.60
GT616	Double chnl br	275	42	85.90

Catalog No.	Product Description	Wt. per 100'	Cat Pg. #	LIST PRICE (per piece)
GT6171	Wrap around	190	43	\$ 27.30



Catalog No.	Product Description	Wt. per 100'	Cat Pg. #	LIST PRICE (per piece)
GT6172		275	43	\$ 31.50
GT6181	Interlocking	150	43	19.70
GT6182		250	43	29.60
GT6183		350	43	35.00
GT6184		50	43	46.60
GT6191	Shelf bracket	68	43	29.40
GT6192		202	43	30.80
GT6193		258	43	32.20
GT6194		295	43	35.56
GT6206L	Shelf support	58	43	18.76
GT6206R		58	43	18.76
GT6208L		83	43	19.46
GT6208R		83	43	19.46
GT62010L		114	43	19.60
GT62010R		114	43	19.60
GT62112L	Shelf support	149	43	21.84
GT62112R		149	43	21.84
GT62114L		174	43	24.50
GT62114R		174	43	24.50
GT62116L		225	43	26.18
GT62116R		225	43	26.18
GT62118L		255	43	28.00
GT62118R		255	43	28.00
GT62120L		295	43	31.50
GT62120R		295	43	31.50
GT62122L		361	43	35.00
GT62122R		361	43	35.00

Catalog No.	Product Description	Wt. per 100'	Cat Pg. #	LIST PRICE (per piece)
GT62224L	Shelf support	396	44	\$ 38.50
GT62224R		396	44	38.50
GT62226L		456	44	42.70
GT62226R		456	44	42.70
GT62228L		479	44	46.90
GT62228R		479	44	46.90
GT62230L		544	44	51.80
GT62230R		544	44	51.80
GT6231	Shelf bracket	405	44	75.40
GT6232		468	44	97.44
GT6233		490	44	118.90
GT6251	Braced single	388	44	63.06
GT6252		506	44	78.10
GT6253		672	44	91.10

**Section 4 Clamps**

Catalog No.	Product Description	Wt. per 100'	Cat Pg. #	LIST PRICE (per piece)
GC110037	Conduit.- emt	10	46	\$ 1.29
GC110050		11	46	1.44
GC110050asmb1		11	46	1.44
GC110075		12	46	1.46
GC110075asmb1		12	46	1.46
GC110100		15	46	1.55

Catalog No.	Product Description	Wt. per 100'	Cat Pg. #	LIST PRICE (per piece)
GC110100asmb1		15	46	\$ 1.55
GC110125		18	46	1.68
GC110125asmb1		18	46	1.68
GC110150		29	46	1.80
GC110150asmb1		29	46	1.80
GC110200		33	46	2.00
GC110200asmb1		33	46	2.00
GC112037	Conduit rigid	10	47	1.29
GC112050		11	47	1.50
GC112050asmb1		11	47	1.50
GC112075		15	47	1.52
GC112075asmb1		15	47	1.52
GC112100		17	47	1.65
GC112100asmb1		17	47	1.65
GC112125		19	47	1.90
GC112125asmb1		19	47	1.90
GC112150		29	47	2.27
GC112150asmb1		29	47	2.27
GC112200		34	47	2.30
GC112200asmb1		34	47	2.30
GC112250		40	47	2.40
GC112250asmb1		40	47	2.40
GC112300		47	47	2.87
GC112300asmb1		47	47	2.87
GC112350		62	47	2.97
GC112350asmb1		62	47	2.97
GC112400		67	47	3.20
GC112400asmb1		67	47	3.20
GC112500		80	47	4.45
GC112600		102	47	5.10
GC112800		130	47	7.50
GC1121000		143	47	10.10
GC114037	Conduit univ.	11	47	.77
GC114050		12	47	1.02
GC114050asmb1		12	47	1.02
GC114075		13	47	1.08
GC114075asmb1		13	47	1.08
GC114100		17	47	1.16
GC114100asmb1		17	47	1.16

Catalog No.	Product Description	Wt. per 100'	Cat Pg. #	LIST PRICE (per piece)
GC114125		20	48	\$ 1.26
GC114125asmb1		20	48	1.26
GC114150		22	48	1.32
GC114150asmb1		22	48	1.32
GC114200		23	48	1.71
GC114200asmb1		23	48	1.91
GC111025	Conduit o.d.	8	48	.95
GC111037		8	48	1.09
GC111050		9	48	1.23
GC111062		10	48	1.37
GC111075		11	48	1.51
GC111087		12	48	1.65
GC111100		14	48	1.79
GC111112		15	48	1.87
GC111125		16	48	1.96
GC111137		17	48	2.10

PRICE LIST

Catalog No.	Product Description	Wt. per 100'	Cat Pg. #	LIST PRICE (per piece)
GC111150		18	48	\$ 2.24
GC111162		19	48	2.35
GC111175		29	48	2.45
GC111187		28	48	2.56
GC111200		31	48	2.66
GC111212		32	48	2.77
GC111225		33	48	2.87
GC111237		34	48	2.98
GC111250		35	48	3.08
GC111262		37	48	3.19
GC111275		38	48	3.29
GC111287		40	48	3.40
GC111300		41	48	3.50
GC111312		43	48	3.61
GC111325		45	48	3.71
GC111337		46	48	3.82

Catalog No.	Product Description	Wt. per 100'	Cat Pg. #	LIST PRICE (per piece)
GC111350		47	49	\$ 3.92
GC111362	Conduit o.d.	56	49	4.03
GC111375		58	49	4.13
GC111387		60	49	4.24
GC111400		62	49	4.83
GC111412		62	49	4.94
GC111425		64	49	5.04
GC111437		66	49	5.15
GC111450		67	49	5.25
GC111462		70	49	5.36
GC111475		72	49	5.46
GC111487		73	49	5.57
GC111500		74	49	5.67
GC111512		76	49	5.78
GC111525		77	49	5.88
GC111537		78	49	5.99
GC111550		79	49	6.09
GC111562		88	49	6.20
GC111575		90	49	6.30
GC111587		92	49	6.41
GC111600		94	49	7.07
GC111612		96	49	7.18
GC111625		98	49	7.28
GC111637		99	49	7.39
GC111650		100	49	7.49
GC111662		102	49	7.60
GC111675		104	49	7.70
GC111687		106	49	7.81
GC111700		108	49	8.61
GC111712		110	49	8.72
GC111725		112	49	8.82
GC111737		114	49	8.93
GC111750		116	49	9.03
GC111762		117	49	9.14
GC111775		119	49	9.24
GC111787		121	49	9.35
GC111800		123	49	9.45
GC1025	Cush. Clamp tube	11	50	6.65
GC1037		12	50	6.37
GC1050		13	50	6.37

Catalog No.	Product Description	Wt. per 100'	Cat Pg. #	LIST PRICE (per piece)
GC1062		15	50	\$ 6.51
GC1075		19	50	7.28
GC1087		21	50	8.40
GC1100		25	50	8.75
GC1112		29	50	9.80
GC1125		29	50	10.64
GC1137		38	50	11.76
GC1150		38	50	12.60
GC1162		40	50	15.54
GC1175		42	50	15.75
GC1187		46	50	16.66
GC1200		46	50	17.01
GC1212		58	50	23.45
GC1237		58	50	25.55
GC1262		58	50	26.53
GC1300		69	50	33.88
GC1312		59	50	34.30
GC1362		75	50	46.13
GC1412		90	50	64.40
GC2025	Cush. Clamp pipe	12	50	7.91
GC2037		24	50	8.54
GC2050		22	50	9.31
GC2075		58	50	10.29
GC2100		39	50	11.69
GC2125		43	50	15.47
GC2150		47	50	20.37
GC2200		55	50	26.04
GC2250		60	50	33.11
GC2300		76	50	44.17
GC2350		94	50	63.91
GC2400		93	50	83.65
GC2500		125	50	133.28
GC2600		145	50	179.76

Catalog No.	Product Description	Wt. per 100'	Cat Pg. #	LIST PRICE (per piece)
GC111025CT		8	51	\$ 2.66
GC111037CT		8	51	2.70
GC111050CT		9	51	2.76
GC111062CT		10	51	2.81
GC111075CT		11	51	2.88
GC111087CT		12	51	3.08
GC111100CT		14	51	3.85
GC111112CT		15	51	3.90
GC111125CT		16	51	3.96
GC111197CT		17	51	4.03
GC111150CT		18	51	4.13
GC111162CT		19	51	4.18
GC111175CT		29	51	4.34
GC111187CT		28	51	4.83
GC111200CT		31	51	4.88
GC111212CT		32	51	4.93
GC111225CT		33	51	4.98
GC111237CT		34	51	5.10
GC111250CT		35	51	5.18
GC111262CT		37	51	5.28
GC111275CT		38	51	5.36
GC111287CT		40	51	5.41
GC111300CT		41	51	5.50
GC111312CT		43	51	5.62



Catalog No.	Product Description	Wt. per 100'	Cat Pg. #	LIST PRICE (per piece)
GC111325CT		45	51	\$ 5.78
GC111337CT		46	51	5.83
GC111350CT		47	51	5.90
GC111362CT		56	51	6.03
GC111375CT		58	51	6.18
GC111387CT		60	51	6.25
GC111400CT		62	51	6.30
GC111412CT		62	51	6.38
GC111425CT		64	51	6.45

Catalog No.	Product Description	Wt. per 100'	Cat Pg. #	LIST PRICE (per piece)
GC111437CT		66	52	\$ 6.53
GC111450CT		67	52	6.60
GC111462CT		70	52	6.65
GC111475CT		72	52	6.68
GC111487CT		73	52	6.74
GC111500CT		74	52	6.80
GC111512CT		76	52	6.85
GC111525CT		77	52	6.91
GC111537CT		78	52	6.97
GC111550CT		79	52	7.06
GC111562CT		88	52	7.10
GC111575CT		90	52	7.13
GC111587CT		92	52	7.18
GC111600CT		94	52	7.20
GC111612CT		96	52	POA
GC111625CT		98	52	POA
GC111637CT		99	52	POA
GC111650CT		100	52	POA
GC111662CT		102	52	POA
GC111675CT		104	52	POA
GC111687CT		106	52	POA
GC111700CT		108	52	POA
GC111712CT		110	52	POA
GC111725CT		112	52	POA
GC111737CT		114	52	POA
GC111750CT		116	52	POA
GC111762CT		117	52	POA
GC111775CT		119	52	POA
GC111787CT		121	52	POA
GC111800CT		123	52	POA

Catalog No.	Product Description	Wt. per 100'	Cat Pg. #	LIST PRICE (per piece)
G1108050	2-hole pipe str	29	53	\$ 6.84
G1108075		32	53	7.06
G1108100		35	53	7.44
G1108125		41	53	7.76
G1108150		45	53	7.98
G1108200		100	53	12.54
G1108250		113	53	13.66
G1108300		132	53	14.66
G1108350		151	53	15.70
G1108400		166	53	16.56
G1108500		191	53	23.76
G1108600		223	53	25.18
G1108-800		297	53	27.00

### Section 5 Concrete Inserts & End Caps

Catalog No.	Product Description	Wt. per 100'	Cat Pg. #	LIST PRICE (per piece)
G1109025	1-hole tube cl	3	53	\$ 2.44
G1109031		3	53	2.46
G1109037		4	53	2.46
G1109050		4	53	2.62
G1109062		5	53	3.12
G1109075		6	53	3.26
G1109087		6	53	3.44
G1109100		7	53	3.60

Catalog No.	Product Description	Wt. per 100'	Cat Pg. #	LIST PRICE (per piece)
G382IN1		179	56	\$ 13.00
G382IN2		178	56	13.00
G132IN1		134	56	12.00
G132IN2		135	56	12.00
G582IN1		199	56	15.00
G582IN2		199	56	15.00
GECPG	A End Cap	15	56	5.00
GECPG1		15	56	4.00
GECPG2		15	56	3.90
GECPG3	B End Cap	22	56	1.50
GECPG4		22	56	1.40
GECPG5		5	56	1.35
GECPG6		18	56	1.30
GECPG7		12	56	2.00
GECPG8		18	56	.30
GEC13	Safety End Cap	2.0	56	3.00
GEC14		2.5	56	4.00
GEC15		2.8	56	5.00
GEC16		5.0	56	18.00

### Section 6 Slotted Angle and Pipe Support Systems

Catalog No.	Product Description	Wt. per 100'	Cat Pg. #	LIST PRICE (per piece)
G15410GL	Slotted Angle	80	58	*
G15412GL		80	58	*
G25410GL		95	58	*
G25412GL		95	58	*
G35210GL		135	58	*
G35212GL		135	58	*
GPP50ELH4	Pipe Support Sys	*	58	*
GPP30ELH4		*	58	*
GPP50H6		*	58	*
GPP50H4		*	58	*
GPPPlenum		*	58	*
GPP150H4		*	58	*
GPP300H4		*	58	*

\* Consult factory for information



## SECTION 10

# INDEX

### General:

Index includes all products included in the catalog, referring to the name given by G-Strut and the designated page.

# INDEX

Item	Page	Item	Page	Item	Page	Item	Page
<b>Channels</b>		G134A .....	20	GNM8820 .....	22	GHH375125 .....	24
G812 .....	12	G134KO .....	20	GNM10821 .....	22	GHH375150 .....	24
G812H .....	12			GNM12821 .....	22	GHH375200 .....	24
G812OS .....	12	<b>Regular</b>		GNM12823 .....	22	GHH375225 .....	24
G812LS .....	12	<b>Channel Nuts</b>		GN832830 .....	22	GHH50100 .....	24
G812A .....	12	GN832800 .....	22	GN1032830 .....	22	GHH50125 .....	24
G812KO .....	12	GN1032800 .....	22	GN1024830 .....	22	GHH50150 .....	24
G712 .....	13	GN1024800 .....	22	GN830 .....	22	GHH50175 .....	24
G712H .....	13	GN800 .....	22	GN831 .....	22	GHH50200 .....	24
G712OS .....	13	GN801 .....	22	GN832 .....	22	GHH50225 .....	24
G712LS .....	13	GN802 .....	22	GN833 .....	22	GHH50250 .....	24
G712A .....	13	GN803 .....	22	GN834 .....	22	GFH062 .....	24
G712KO .....	13	GN804 .....	22	GN835 .....	22	GFH100 .....	24
G582 .....	14	GN805 .....	22	GN838 .....	22	GFH200 .....	24
G582H .....	14	GN806 .....	22	GNM6830 .....	22	GFH225 .....	24
G582OS .....	14	GN807 .....	22	GNM8830 .....	22	GFH250 .....	24
G582LS .....	14	GN808 .....	22	GNM10831 .....	22	GRH1075 .....	24
G582A .....	14	GNM6800 .....	22	GNM12831 .....	22	GRH1100 .....	24
G582KO .....	14	GNM8800 .....	22			GRH1125 .....	24
G584 .....	15	GNM10801 .....	22	<b>Specialty</b>		GRH2100 .....	24
G584H .....	15	GNM12801 .....	22	<b>Channel Nuts</b>		GRH2125 .....	24
G584OS .....	15	GNM12803 .....	22	GSTN25100 .....	23	GRH2150 .....	24
G584LS .....	15	GTSN832800 .....	22	GSTN25125 .....	23	GRH3100 .....	24
G584A .....	15	GTSN1032800 .....	22	GSTN25150 .....	23	GRH3125 .....	24
G584KO .....	15	GTSN1024800 .....	22	GSTN37100 .....	23	GRH3150 .....	24
G584SS .....	15	GTSN800 .....	22	GSTN37125 .....	23	GRH3250 .....	24
G382 .....	16	GTSN801 .....	22	GSTN37150 .....	23	GLW025 .....	24
G382H .....	16	GTSN802 .....	22	GSTN50100 .....	23	GLW375 .....	24
G382OS .....	16	GTSN808 .....	22	GSTN50125 .....	23	GLW050 .....	24
G382LS .....	16	GN832810 .....	22	GSTN50150 .....	23	GFW025 .....	24
G382A .....	16	GN10332810 .....	22	GMN1032N .....	23	GFW375 .....	24
G382KO .....	16	GN1024810 .....	22	GMN1024N .....	23	GFW050 .....	24
G102 .....	17	GN810 .....	22	GMN025N .....	23	GFDW025 .....	24
G102H .....	17	GN811 .....	22	GMN832S .....	23	GFDW037 .....	24
G102OS .....	17	GN812 .....	22	GMN1032S .....	23	GFDW050 .....	24
G102LS .....	17	GN814 .....	22	GMN1024S .....	23	GSN025 .....	24
G102A .....	17	GN815 .....	22	GMN025S .....	23	GSN3125 .....	24
G102KO .....	17	GN818 .....	22	GMN832 .....	23	GSN375 .....	24
G782 .....	18	GNM6810 .....	22	GMN1032 .....	23	GSN050 .....	24
G782H .....	18	GNM8810 .....	22	GMN1024 .....	23	GHN025 .....	24
G782OS .....	18	GNM10811 .....	22	GMN025 .....	23	GHN3125 .....	24
G782LS .....	18	GNM12811 .....	22	GCN800 .....	23	GHN375 .....	24
G782A .....	18	GN832820 .....	22	GCN801 .....	23	GHN050 .....	24
G782KO .....	18	GN1032820 .....	22	GCN802 .....	23	GRC025 .....	24
G132 .....	19	GN1024820 .....	22	GDCN031 .....	23	GRC037 .....	24
G132H .....	19	GN820 .....	22	GRS375062 .....	23	GRC050 .....	24
G132OS .....	19	GN821 .....	22			GRC062 .....	24
G132LS .....	19	GN822 .....	22	<b>Nuts, Bolts, Washers</b>		GRC075 .....	24
G132A .....	19	GN823 .....	22	<b>Swivels &amp; Couplers</b>		GSNHM037 .....	24
G132KO .....	19	GN824 .....	22	GHH25050 .....	24	GSNHM050 .....	24
G134 .....	20	GN825 .....	22	GHH25075 .....	24	GSNHFF037 .....	24
G134H .....	20	GN828 .....	22	GHH25100 .....	24	GSNHFF050 .....	24
G134OS .....	20	GN829 .....	22	GHH375075 .....	24		
G134LS .....	20	GNM6820 .....	22	GHH375100 .....	24		

Item	Page	Item	Page	Item	Page	Item	Page
GSNHFM037	24	G2051	28	G3151	34	G32001	39
GSNHFM050	24	G206	29			G32002	39
		G2061	29	<b>90° Angle Fittings</b>		G32003	39
<b>All-threaded Rod</b>		G208	29	G3071	35	G32004	39
GAT0256	25	G207	29	G308	35	G32005	39
GAT02510	25	G205	29	G309	35	G32006	39
GAT02512	25	G2071	29	G310	35	G32007	39
GAT0316	25	G210	29	G313	35		
GAT03110	25	G211	30	G314	35	<b>Wing Fittings</b>	
GAT03112	25	G212	30	G316L	36	G339	40
GAT0376	25	G213	30	G316R	36	G312	40
GAT03710	25	G214	30	G318L	36	G340	40
GAT03712	25	G216	30	G318R	36	G330L	40
GAT0506	25	G217	30	G335	36	G330R	40
GAT05010	25	G218	31	G335W	36	G3411	40
GAT05012	25	G219	31	<b>Angle Fittings</b>		G3412	40
GAT0626	25	G2191	31	G3421	37	G321L	41
GAT06210	25	G220	31	G3422	37	G321R	41
GAT06212	25	G221	31	G332	37	G329L	41
GAT0756	25	G222	31	G348	37	G329R	41
GAT07510	25			GACB319	37	G32112L	41
GAT07512	25	<b>90° Angle Fittings</b>		GACB320	37	G3211R	41
GAT0876	25	G3061	32	G316	38	G326	42
GAT08710	25	G3062	32	G3161	38	G327	42
GAT08710	25	G3063	32	G33001	38	G3281	42
GAT08712	25	G3065	32	G33002	38	G350	42
GAT1006	25	G301	32	G33003	38	G354	42
GAT10010	25	G302	32	G33004	38	G351	42
GAT10012	25	G304	32	G3171	38	G355	42
GAT1126	25	G3381	32	G3172	38	G3261	42
GAT11210	25	G3382	32	G31001	38	G329	42
GAT11212	25	G3383	32	G31002	38	G328L	43
GAT1256	25	G3031	32	G3191	39	G328R	43
GAT12510	25	G3032	32	G3192	39	G343L	43
GAT12512	25	G3033	32	G3193	39	G343R	43
		G344	33	G3194	39	G352	43
<b>Flat Plate Fittings</b>		G306	33	G3195	39	G356	43
G201025	28	G3060	33	G3196	39	G357	43
G201031	28	G3064	33	G3197	39	G3271	43
G201037	28	G3051	33	G3198	39		
G201050	28	G3052	33	G3199	39	<b>Z Angle Fittings</b>	
G201062	28	G311	33	G31910	39	G323	44
G201075	28	G3111	33	G31911	39	G3231	44
G203037	28	G3112	33	G3201	39	G3232	44
G203050	28			G3202	39	G3233	44
G2033	28	<b>Adjustable Angle</b>		G3203	39	G3234	44
G202025	28	<b>Fittings</b>		G3204	39	G3235	44
G202031	28	G333	34	G3205	39	G34101	44
G202037	28	G337	34	G3206	39	G34102	44
G202050	28	G336	34	G3207	39	G34103	44
G202062	28	G3361	34	G3208	39	G34104	44
G202075	28	G331	34	G3209	39	G345	44
G2031	28	G334	34	G32010	39	G347	44
G2032	28	G315	34	G32011	39	G322	44

Item	Page	Item	Page	Item	Page	Item	Page
G3221.....	44	<b>Hangers &amp; Misc.</b>		<b>Beam Clamps</b>		G4028.....	56
G349.....	44	<b>Hardware</b>		G4142SH.....	52	GUB050.....	56
<b>Splice Channel Fittings</b>		G3461.....	48	G403.....	53	GUB075.....	56
G6070.....	45	G3462.....	48	G406.....	53	GUB100.....	56
G6071.....	45	G3463.....	48	G407.....	53	GUB125.....	56
G6041.....	45	G3464.....	48	G4071.....	53	GUB150.....	56
G6061.....	45	G906.....	48	G4081/4.....	53	GUB200.....	56
G6062.....	45	G9061.....	48	G4083/8.....	53	GUB250.....	56
G6063.....	45	G9062.....	48	G409.....	53	GUB300.....	56
GSJ100.....	45	G9063.....	48	G418.....	53	GUB350.....	56
GSJ110.....	45	G611.....	48	G419.....	53	GUB400.....	56
G606E1.....	45	G6111.....	48	G4102.....	54	GUB500.....	56
G606E2.....	45	G907.....	48	G4103.....	54	GUB600.....	56
G606E3.....	45	G908.....	48	G4104.....	54	GUB800.....	56
		G909.....	48	G4105.....	54	GUB1000.....	56
		G9091.....	48	G4106.....	54	GUB1200.....	56
<b>U Fittings</b>		<b>Pipe Roller &amp; Trolley</b>		G4107.....	54	GUB1400.....	56
G626.....	46	<b>Hardware</b>		G4108.....	54	GUB1600.....	56
G6262.....	46	G901.....	49	G4109.....	54	GUB1800.....	56
G6263.....	46	G902.....	49	G4110.....	54	GUB2000.....	56
G6264.....	46	G903.....	49	G4111.....	54	GUB2400.....	56
G6265.....	46	G9041.....	49	G4111B.....	54		
G6091.....	46	G9042.....	49	G4112.....	54	<b>Bracket Fittings</b>	
G6092.....	46	G9043.....	49	G4112B.....	54	GM601.....	57
G6093.....	46	G9044.....	49	G4113.....	54	GM602.....	57
G6094.....	46	G9045.....	49	G4121.....	54	GM6101.....	57
G6095.....	46	G9046.....	49	G4122.....	54	GM6102.....	57
G6096.....	46	GTR2WH.....	49	G4123.....	54	GM6103.....	57
G6097.....	46	GTR4WH.....	49	G4131.....	54	GM6111.....	57
G618.....	46	GTR4WHU.....	49	G4132.....	54	GM6112.....	57
G6021.....	46			G4133.....	54	GM6113.....	57
G6022.....	46	<b>Post Bases</b>		G4134.....	54	GM6114.....	57
G6023.....	46	G619.....	50	G4142.....	54	GM6115.....	57
G610.....	46	G619FL.....	50	G4143.....	54	GT6251.....	57
G612.....	46	G619SQ.....	50	G4144.....	54	GT6252.....	57
G613.....	46	G619A.....	50	G4145.....	54	GT6253.....	57
		G619AFL.....	50	G4146.....	54	G605A.....	57
<b>Clevis Fittings</b>		G619ASQ.....	50	G415.....	54	G605L.....	57
G6221.....	47	G621.....	50	G416.....	54	G605R.....	57
G6222.....	47	G621A.....	50	G4161.....	54	GT6091.....	58
G6223.....	47	G620.....	51	G4162.....	54	GT6092.....	58
G6224.....	47	G620FL.....	51	G4163.....	54	GT6093.....	58
G6225.....	47	G620FL1.....	51	G4164.....	54	GT6094.....	58
G6226.....	47	G620FL2.....	51	G417.....	54	GT6181.....	58
G6227.....	47	G620SQ.....	51	G4171.....	54	GT6182.....	58
G6228.....	47	G620A.....	51	G4172.....	54	GT6183.....	58
G623.....	47	G620AFL.....	51	G4173.....	54	GT6184.....	58
G624.....	47	G620ASQ.....	51			GT6121.....	58
G625.....	47	G620ASQ1.....	51	<b>U-Bolts &amp; Bolt</b>		GT6122.....	58
G905.....	47			<b>Beam Clamps</b>		GT6123.....	58
G9051.....	47			G401.....	56	GT6124.....	58
				G402.....	56	GT61112.....	58
				G4021.....	56	GT61118.....	58
				G4026.....	56	GT61124.....	58

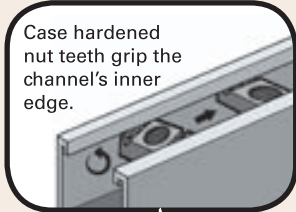
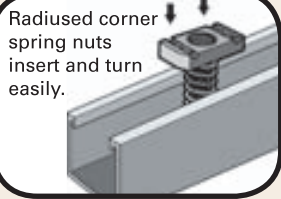
Item	Page	Item	Page	Item	Page	Item	Page
GT61130.....	58			GC111037.....	65	GC111712.....	65
GT61136.....	58	<b>Brace Fittings</b>		GC111050.....	65	GC111725.....	65
GT61142.....	58	G603.....	62	GC111062.....	65	GC111737.....	65
GT6101.....	58	G6031.....	62	GC111075.....	65	GC111750.....	65
GT6102.....	58	G6032.....	62	GC111087.....	65	GC111762.....	65
GT6103.....	58	G6033.....	62	GC111100.....	65	GC111775.....	65
GT6104.....	58	G6081.....	62	GC111112.....	65	GC111787.....	65
GT6105.....	58	G6082.....	62	GC111125.....	65	GC111800.....	65
GT613.....	59	G6083.....	62	GC111137.....	65	GC111812.....	65
GT6131.....	59	G6084.....	62	GC111150.....	65	GC111825.....	65
GT614.....	59	G6085.....	62	GC111162.....	65	GC111837.....	65
GT6141.....	59	G6086.....	62	GC111175.....	65	GC111850.....	65
GT615.....	59	G6087.....	62	GC111187.....	65	GC111862.....	65
GT616.....	59	G6088.....	62	GC111200.....	65	GC111875.....	65
GT6171.....	59	GTB6081.....	62	GC111212.....	65	GC111887.....	65
GT6172.....	59	GTB6082.....	62	GC111225.....	65	GC111900.....	65
		GTB6083.....	62	GC111237.....	65	GC111912.....	65
<b>Shelf Brackets</b>		GTB6084.....	62	GC111250.....	65	GC111925.....	65
GT6191.....	60	GTB6085.....	62	GC111262.....	65	GC111937.....	65
GT6192.....	60	GTB6086.....	62	GC111275.....	65	GC111950.....	65
GT6193.....	60	GTB6087.....	62	GC111287.....	65	GC111962.....	65
GT6194.....	60	GTB6088.....	62	GC111300.....	65	GC111975.....	65
GT6231.....	60	GTB6089.....	62	GC111312.....	65	GC111987.....	65
GT6232.....	60	GTB60810.....	62	GC111325.....	65	GC1111000.....	65
GT6233.....	60	GTB60811.....	62	GC111337.....	65	GC1111012.....	65
GT6206L.....	60			GC111350.....	65	GC1111025.....	65
GT6206R.....	60	<b>Conduit Clamps</b>		GC111362.....	65	GC1111037.....	65
GT6208L.....	60	GC110050ASM.....	64	GC111375.....	65	GC1111050.....	65
GT6208R.....	60	GC110075ASM.....	64	GC111387.....	65	GC1111062.....	65
GT62010L.....	60	GC110100ASM.....	64	GC111400.....	65	GC1111075.....	65
GT62010R.....	60	GC110125ASM.....	64	GC111412.....	65	GC1111087.....	65
GT62112L.....	61	GC110150ASM.....	64	GC111425.....	65		
GT62112R.....	61	GC110200ASM.....	64	GC111437.....	65	<b>Cushion Clamps</b>	
GT62114L.....	61	GC112050ASM.....	64	GC111450.....	65	GC1025.....	66
GT62114R.....	61	GC112075ASM.....	64	GC111462.....	65	GC1037.....	66
GT62116L.....	61	GC112100ASM.....	64	GC111475.....	65	GC1050.....	66
GT62116R.....	61	GC112125ASM.....	64	GC111487.....	65	GC1062.....	66
GT62118L.....	61	GC112150ASM.....	64	GC111500.....	65	GC1075.....	66
GT62118R.....	61	GC112200ASM.....	64	GC111512.....	65	GC1087.....	66
GT62120L.....	61	GC112250ASM.....	64	GC111525.....	65	GC1100.....	66
GT62120R.....	61	GC112300ASM.....	64	GC111537.....	65	GC1112.....	66
GT62122L.....	61	GC112350ASM.....	64	GC111550.....	65	GC1125.....	66
GT62122R.....	61	GC112400ASM.....	64	GC111562.....	65	GC1137.....	66
GT62224L.....	61	GC112500ASM.....	64	GC111575.....	65	GC1150.....	66
GT62224R.....	61	GC112600ASM.....	64	GC111587.....	65	GC1162.....	66
GT62226L.....	61	GC112800ASM.....	64	GC111600.....	65	GC1175.....	66
GT62226R.....	61	GC1121000ASM.....	64	GC111612.....	65	GC1187.....	66
GT62228L.....	61	GC114050ASM.....	64	GC111625.....	65	GC1200.....	66
GT62228R.....	61	GC114075ASM.....	64	GC111637.....	65	GC1212.....	66
GT62230L.....	61	GC114100ASM.....	64	GC111650.....	65	GC1237.....	66
GT62230R.....	61	GC114125ASM.....	64	GC111662.....	65	GC1262.....	66
		GC114150ASM.....	64	GC111675.....	65	GC1300.....	66
		GC114200ASM.....	64	GC111687.....	65	GC1312.....	66
		GC111025.....	65	GC111700.....	65	GC1362.....	66



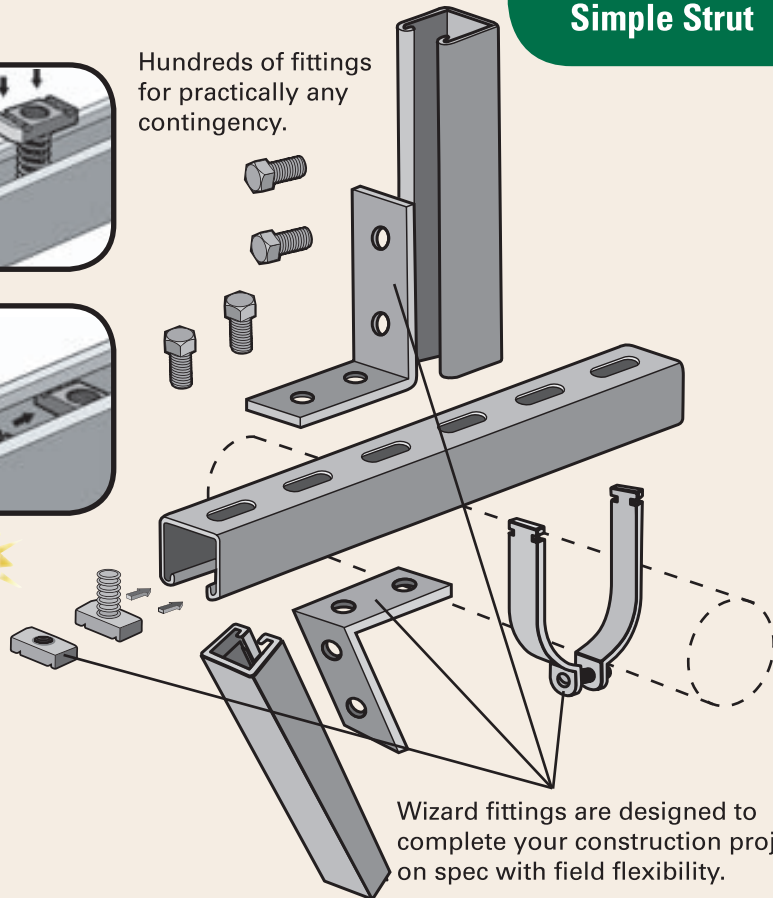


# Field Flexibility

## Simple Strut

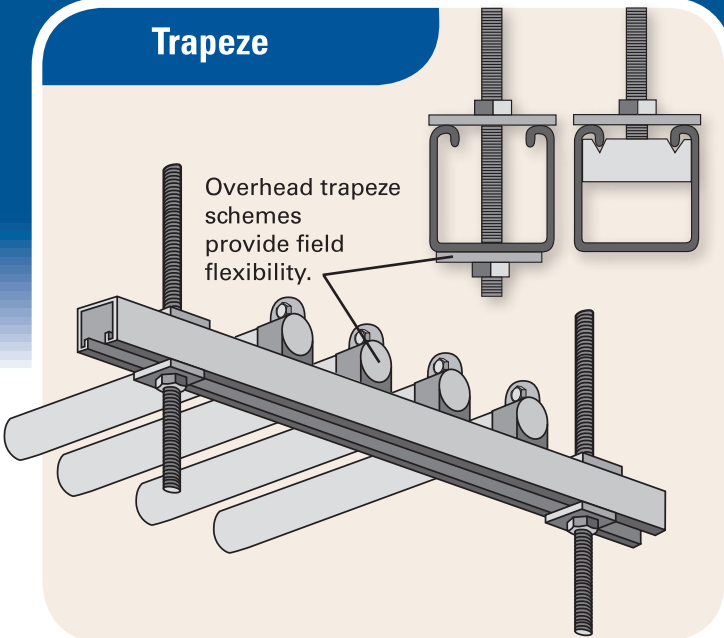


Hundreds of fittings for practically any contingency.



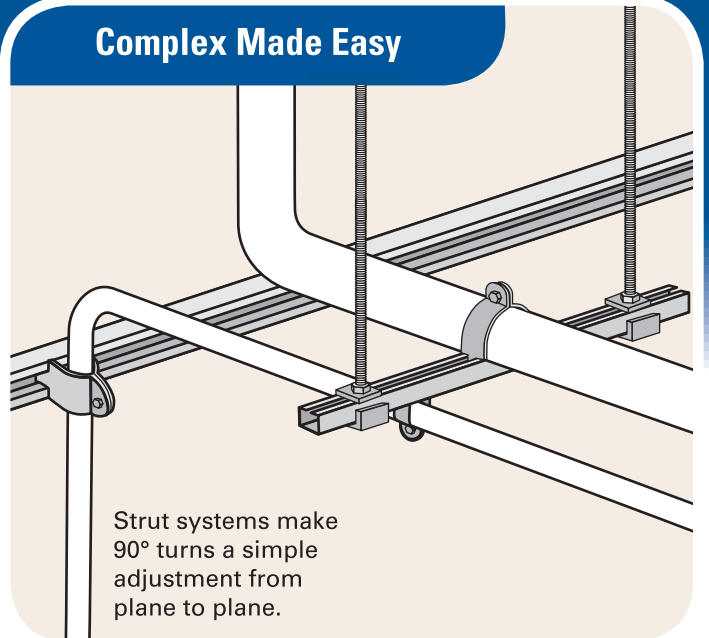
Wizard fittings are designed to complete your construction project on spec with field flexibility.

## Trapeze



Overhead trapeze schemes provide field flexibility.

## Complex Made Easy



Strut systems make 90° turns a simple adjustment from plane to plane.



Gregory Industries, Inc. • 4100 13th Street, SW • Canton, Ohio 44710  
Call 866-997-8788 • Fax 330-477-0626 • [www.gstrut.com](http://www.gstrut.com)



*G-STRUT® METAL FRAMING DIVISION*

**Gregory Industries, Inc.** • 4100 13th Street, SW • Canton, Ohio 44710  
Call 866-997-8788 • Fax 330-477-0626 • [www.gstrut.com](http://www.gstrut.com)