

# **G-STRUT<sup>®</sup>** **& WIZARD<sup>®</sup> ACCESSORIES**



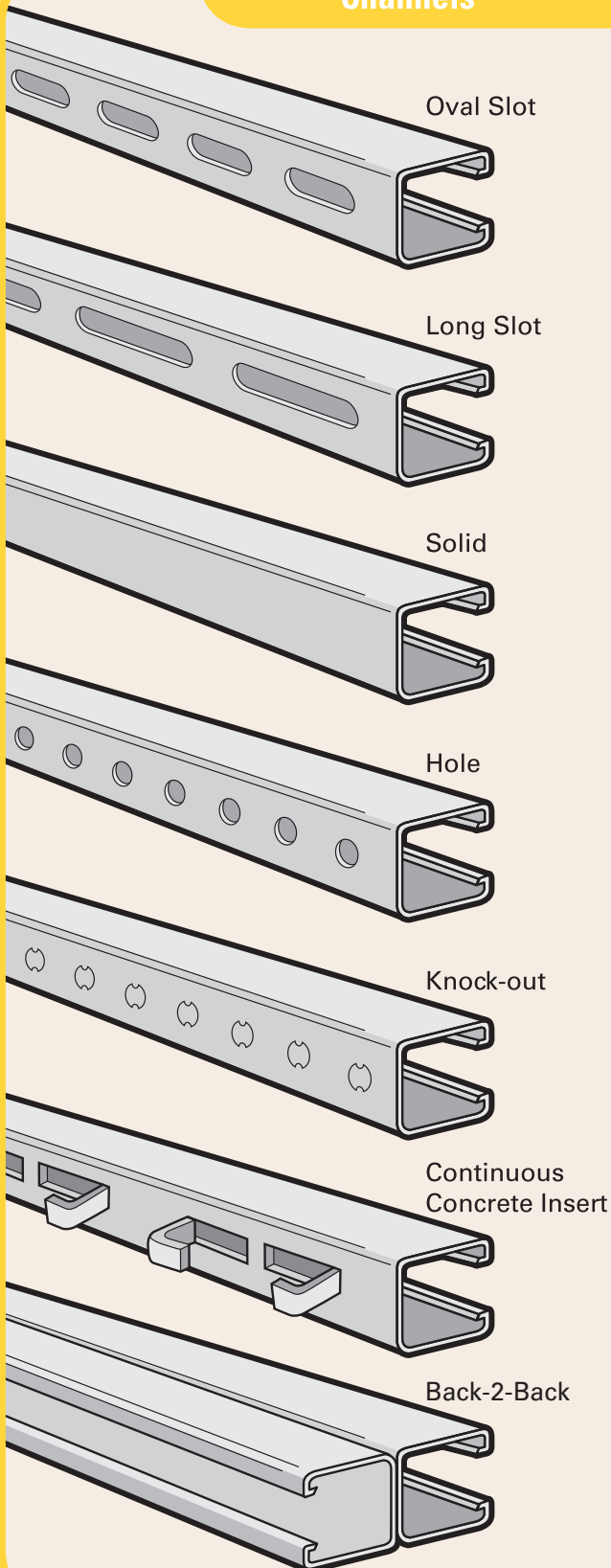
**Installation  
Is A Wiz**



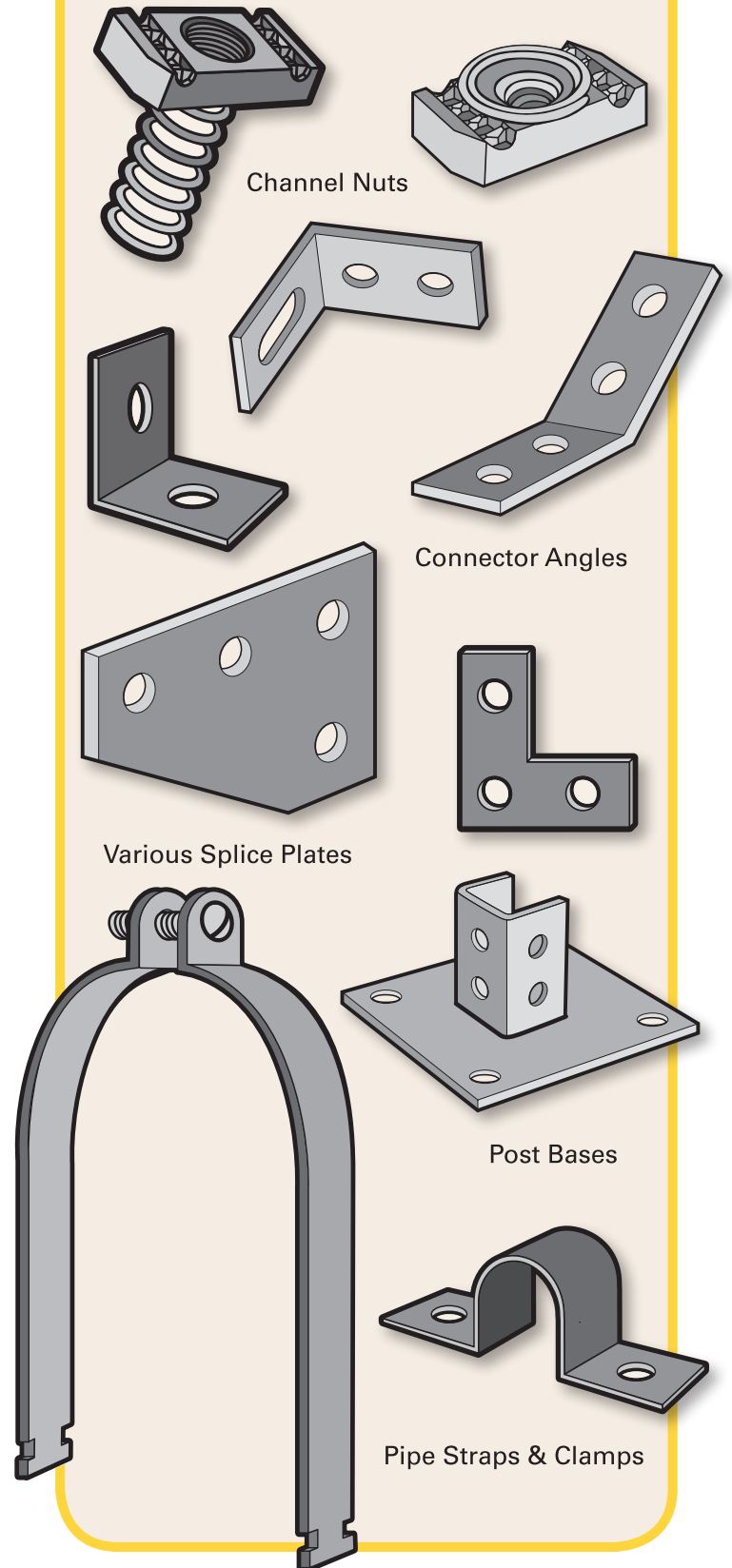
# Wizard™ Accessories

Works with hundreds of applications and interchangeable framing systems including: Electrical/Conduit, Plumbing, Mechanical, Pipe, PVC, Schedule 40, Copper, Hydraulic Tubing, Stainless Steel Pipe & Tube, Chemical, Food, Waste Water, etc...A multitude of versatile applications.

## Channels



## Common Fittings

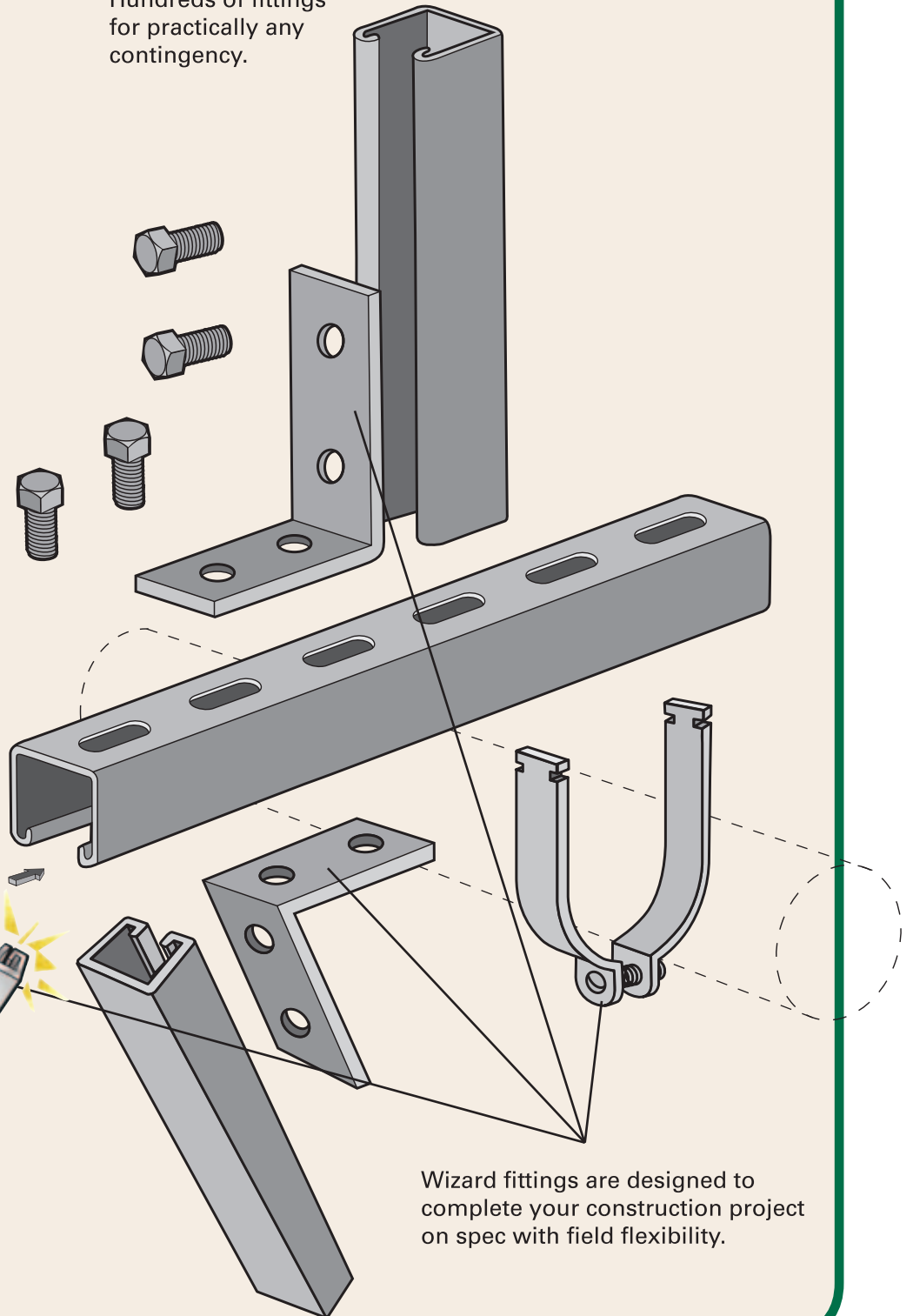
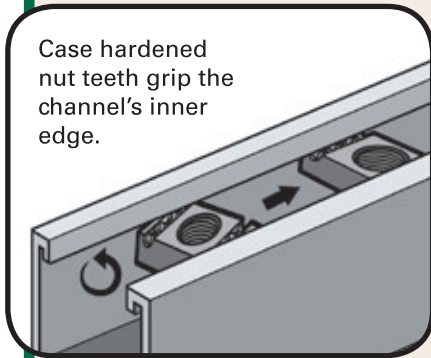
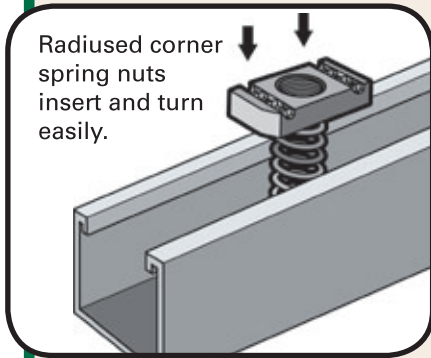


# B

# 1

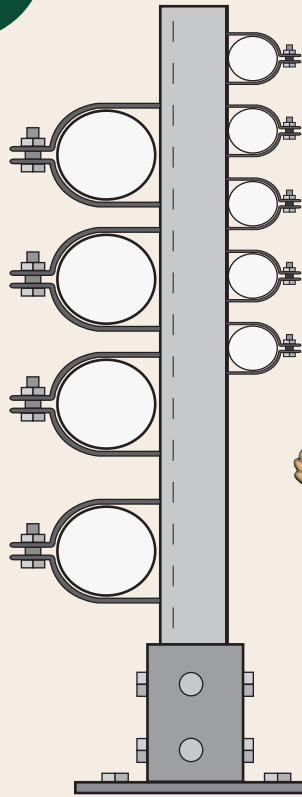
## Simple Strut

Hundreds of fittings for practically any contingency.



**B****2**

### Utility Stands

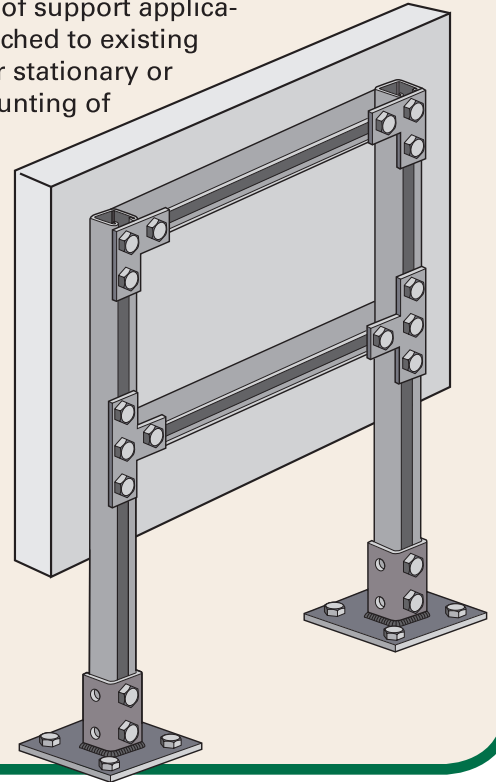


Strut can be configured into functional equipment service stands.



### Panel Supports

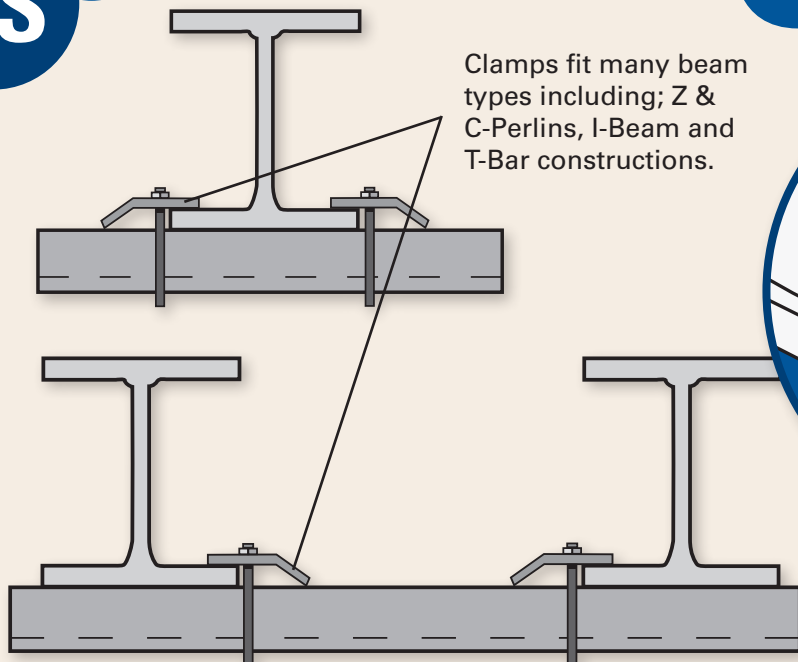
Panel supports can be configured into a variety of support applications and attached to existing structurals for stationary or overhead mounting of panel boards, electronics, machinery, HVAC, etc.

**B****3**

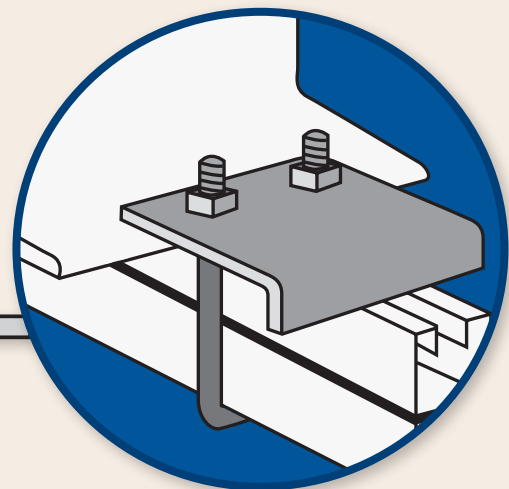
## Suspended Support Configurations

**SS****1**

### Beam Clamp Support



Clamps fit many beam types including; Z & C-Perlins, I-Beam and T-Bar constructions.

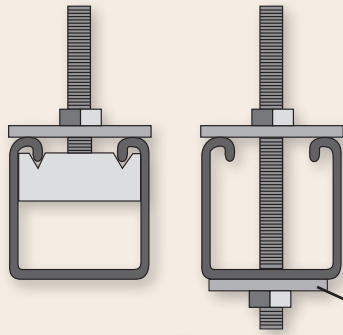


Beam Clamp Supports can be attached to various sized widths of "I-Beams" and flange thicknesses.

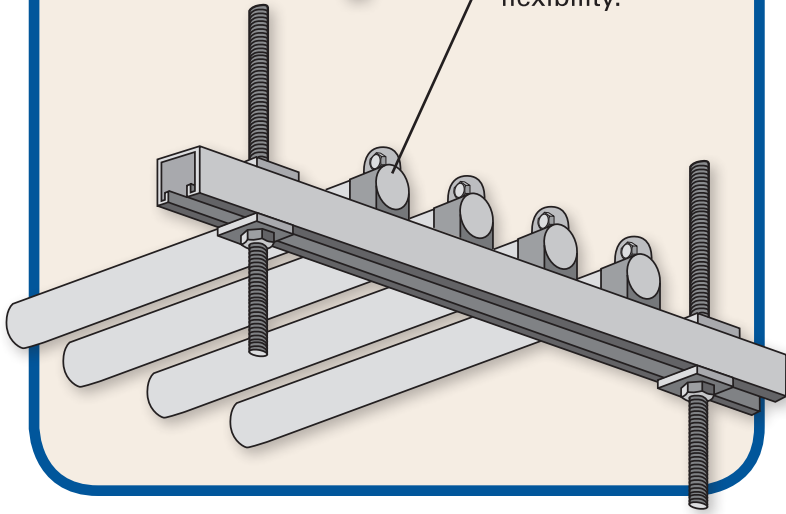
## Trapeze

SS

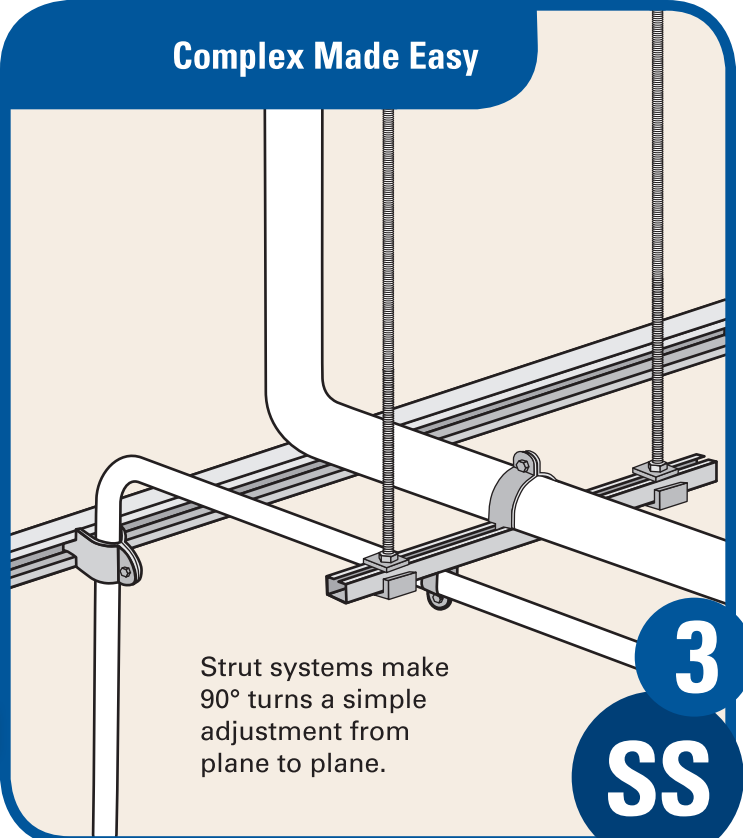
2



Overhead trapeze schemes provide field flexibility.



## Complex Made Easy



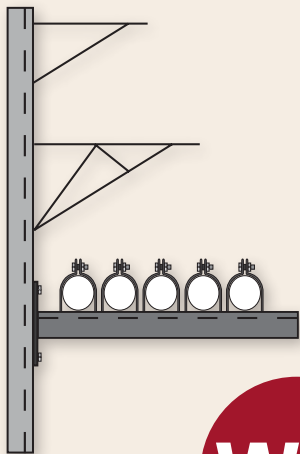
Strut systems make 90° turns a simple adjustment from plane to plane.

3

SS

## Wall Mount Configurations

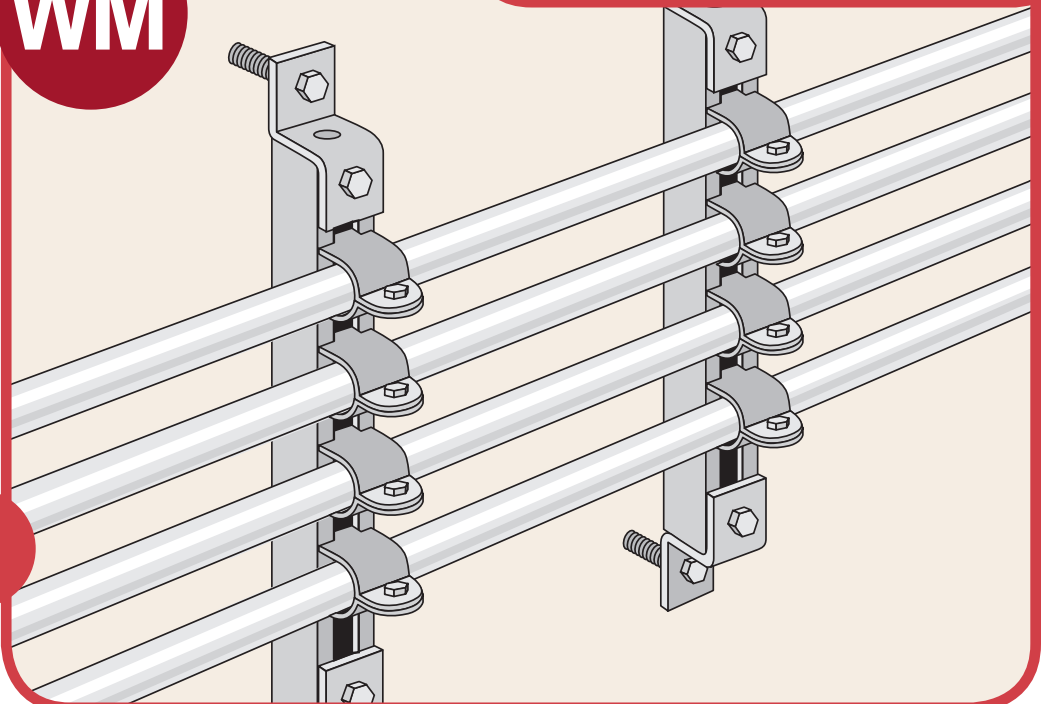
### Shelving & Shelf Brackets



2

WM

### Typical Wall Mount

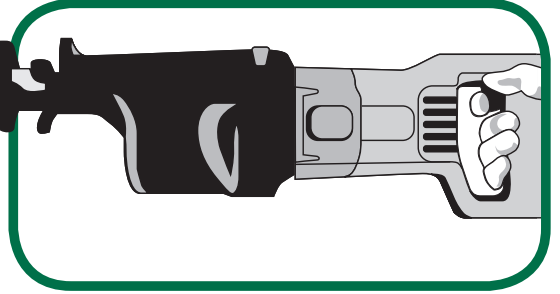
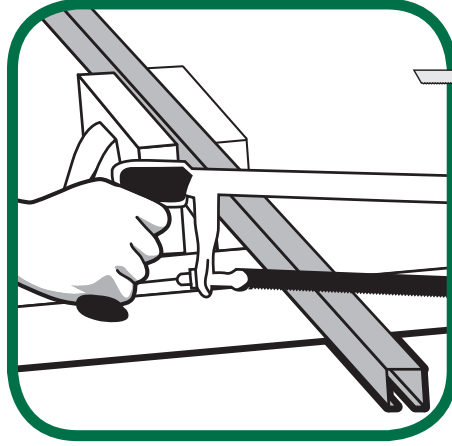
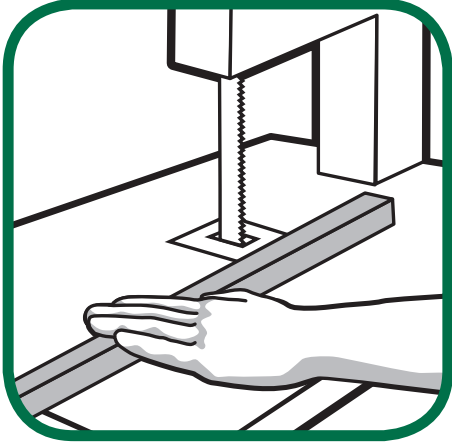


1

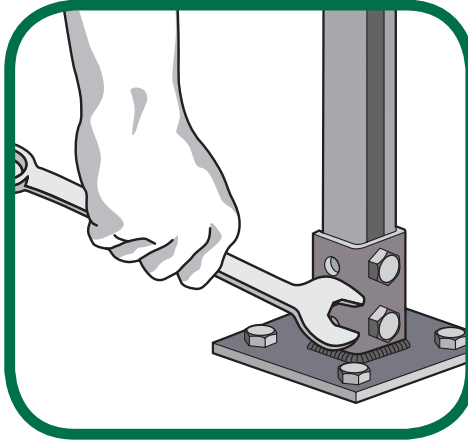
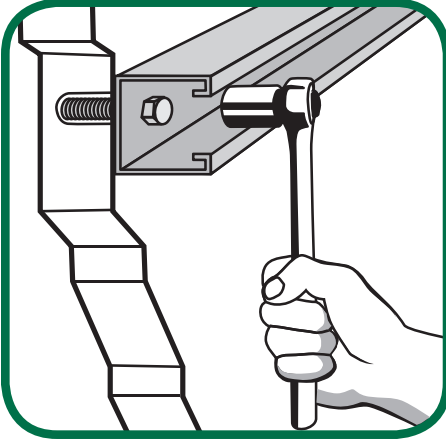
WM

# A WIZ TO ADAPT IN THE FIELD

JUST A FEW SIMPLE TOOLS NEEDED



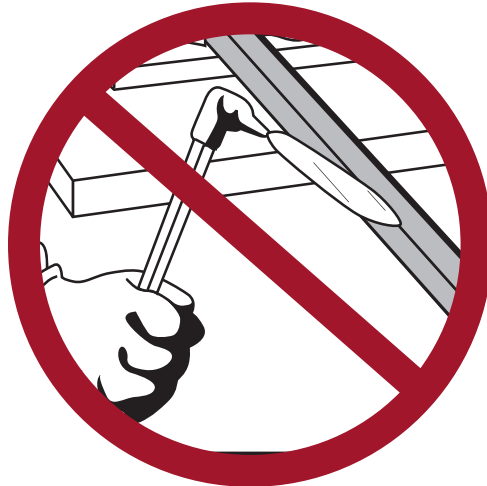
EASY CUTTING IN FIELD WITH PROPER SAWING EQUIPMENT  
INSTALLS WITH COMMON SOCKETS, WRENCHES OR POWER TOOLS



**NO DRILLING**

**NO WELDING**

**NO HASSLE**



# 5 Questions To Ask When Selecting The Right Strut For The Job

1

## GAUGE AND DEPTH



What minimum gauge (material thickness) and depth (profile size) are required for the job?

- |   |   |
|---|---|
| <input type="checkbox"/> 12 GAUGE (.097)  | <input type="checkbox"/> 14 GAUGE (.071)  |
| 1 <sup>5</sup> / <sub>8</sub> " X <input type="checkbox"/> 1 <sup>3</sup> / <sub>16</sub> " D | 1 <sup>5</sup> / <sub>8</sub> " X <input type="checkbox"/> 1 <sup>3</sup> / <sub>16</sub> " D |
| 1 <sup>5</sup> / <sub>8</sub> " X <input type="checkbox"/> 7/ <sub>8</sub> " D                | 1 <sup>5</sup> / <sub>8</sub> " X <input type="checkbox"/> 1 <sup>5</sup> / <sub>8</sub> " D  |
| 1 <sup>5</sup> / <sub>8</sub> " X <input type="checkbox"/> 1" D                               |   |
| 1 <sup>5</sup> / <sub>8</sub> " X <input type="checkbox"/> 1 <sup>3</sup> / <sub>8</sub> " D  |   |
| 1 <sup>5</sup> / <sub>8</sub> " X <input type="checkbox"/> 1 <sup>5</sup> / <sub>8</sub> " D  |   |
| 1 <sup>5</sup> / <sub>8</sub> " X <input type="checkbox"/> 2 <sup>7</sup> / <sub>16</sub> " D |   |
| 1 <sup>5</sup> / <sub>8</sub> " X <input type="checkbox"/> 3 <sup>1</sup> / <sub>4</sub> " D  |   |

2

## LENGTH



What channel length will best serve the end use?

- STANDARD 10' (Shorter runs for easy handling)
- STANDARD 20' (Typical for longer runs)
- 6' 8" (Typical for commercial joists distance)
- CUSTOM (6" TO 40')

3

## PERFORATION



What "hole pattern" (if any) will best serve the job function?

- OVAL SLOT (Half slot) [9/16" x 1-1/8" x 2" on ctr.]
- LONG SLOT (Elongated slot) [13/32" x 3" x 4" on ctr.]
- ROUND HOLE [9/16" DIAM x 1-7/8" on ctr.]
- KNOCK OUT [7/8" DIAM x 6" on ctr.]
- CONTINUOUS CONCRETE INSERT
- SOLID (No perforation)

4

## MATERIAL



What "substrate" will best serve the job function?

- STEEL (Carbon steel, structural grade, 33,000 min yield)
- STAINLESS STEEL (304 OR 316)
- ALUMINUM
- FIBERGLASS

5

## FINISH



What type of finish or coating will best serve the construction?

- PRE-GALVANIZED (Continuous galvanized) - G90 zinc coating weight for cost-effectivce long-term galvanic and barrier corrosion protection
- HOT DIPPED Galvanized (after fabrication heavy zinc) where aqueous or exterior applications require greater corrosion protection
- GREEN Powder or "e"-coated painted topical coating
- PVC COAT Heavy PVC coat for extended barrier protection or cosmetic effects (May PVC coat may be used over plain or galvanized)



- WIZCoat™ GALVANNEAL Paintable pregalvanized material requires no pre-treatment. Easily spray painted post-installation
- PLAIN Untreated, "plain" steel with no topical/ barrier coating
- GOLD Yellow zinc dichromated electro-galvanized
- CUSTOM COLORS Custom powder coating available in virtually any PMS color

# Proper Safety, Proper Tools, Proper Use and Installation

## Always Safety First

**Always** use proper protective gear.

**Always** install strut systems according to your engineer's recommendations and design.

**Always** adhere to published load factors.

**Always** use the proper tool for the job. Consult tool manufacturers recommendations for tasks associated with strut systems.

**Always**, Safety First.



G-STRUT® METAL FRAMING DIVISION

G-STRUT & Wizard® Accessories

Gregory Industries, Inc. • 4100 13th Street, SW • Canton, Ohio 44710  
Phone 330-477-4800 • Fax 330-477-0626 • [www.gstrut.com](http://www.gstrut.com)