



G-STRUT 4100 13<sup>th</sup> Street SW, Canton OH 44710

Phone: 866.997.8788 – Fax: 330.477.0626

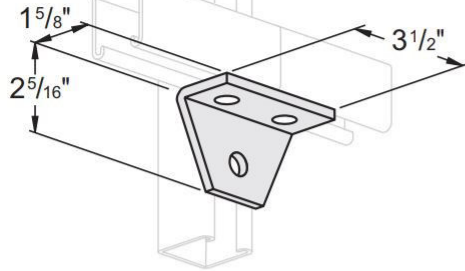
[www.gregorystrut.com](http://www.gregorystrut.com)

G3071, G309, G308, G314, G310, G313

90 Degree Angle Fittings

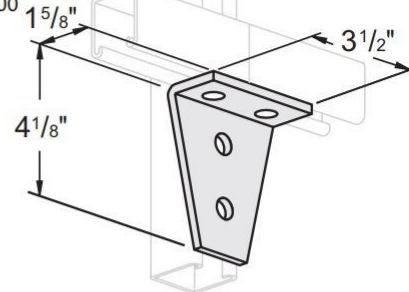
**3 HOLE CORNER SHELF ANGLE**

**G3071**  
25/CTN  
70 LBS/100



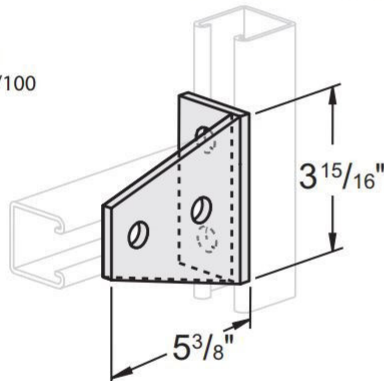
**4 HOLE JOINT CONNECTOR ANGLE**

**G309**  
25/CTN  
105 LBS/100



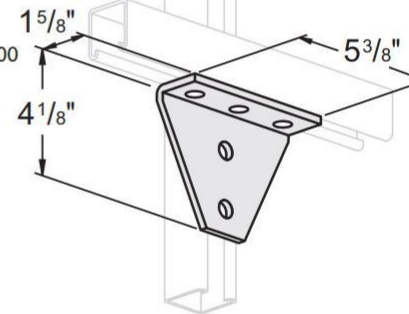
**4 HOLE CORNER SHELF ANGLE**

**G308**  
25/CTN  
148 LBS/100



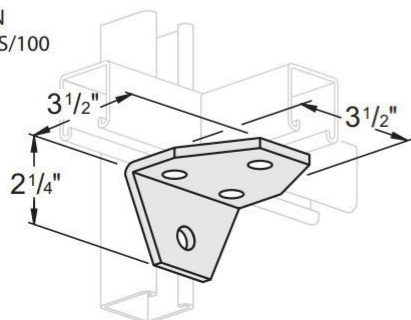
**5 HOLE JOINT CONNECTOR ANGLE**

**G314**  
10/CTN  
155 LBS/100



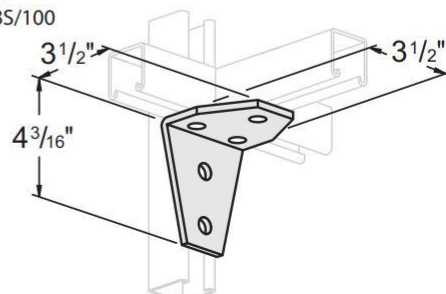
**4 HOLE DUPLEX CORNER ANGLE**

**G310**  
25/CTN  
100 LBS/100



**5 HOLE DUPLEX CORNER ANGLE**

**G313**  
10/CTN  
135 LBS/100



\* MATERIAL IS 1-5/8" WIDE x 1/4" THICK UNLESS SPECIFIED • HOLES ARE 9/16" DIAMETER UNLESS SPECIFIED \*

PROJECT INFORMATION	APPROVAL STAMP
Project:	Notes:
Address:	
Contractor:	
Engineer:	
Date:	
Approved <input type="checkbox"/> Approved as Noted <input type="checkbox"/> Not Approved <input type="checkbox"/>	