



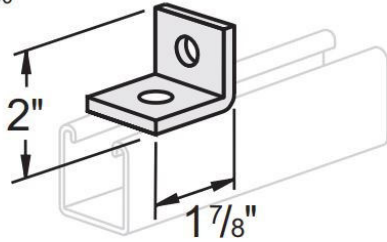
G-STRUT 4100 13th Street SW, Canton OH 44710
 Phone: 866.997.8788 – Fax: 330.477.0626
www.gregorystrut.com

G344, G305, G311, G3111, G3112

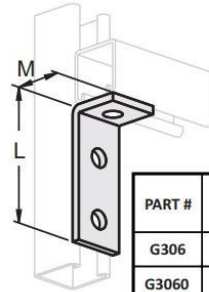
90 Degree Angle Fittings

2 HOLE DUCT ANGLE

G344
 50/CTN
 37 LBS/100

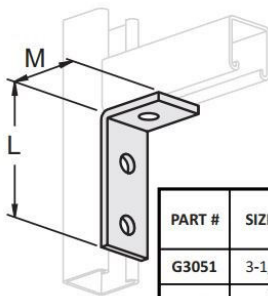


3 HOLE CORNER ANGLE



PART #	SIZE (L)	SIZE (M)	CARTON QTY.	LBS./100pcs
G306	4-1/8"	1-5/8"	25	50
G3060	3-7/8"	1-7/8"	50	60
G3064	3-15/16"	1-7/8"	25	51

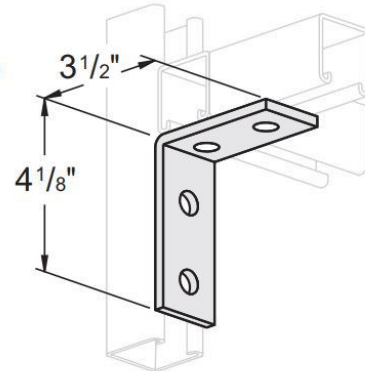
3 HOLE CORNER ANGLE



PART #	SIZE (L)	SIZE (M)	CARTON QTY.	LBS./100pcs
G3051	3-1/4"	2"	25	58
G3052	3-1/2"	2-1/4"	25	50

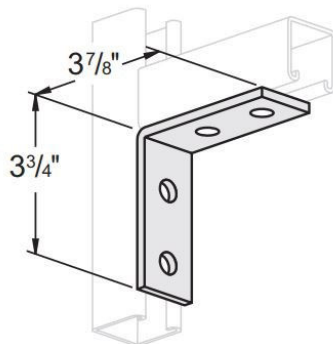
4 HOLE CORNER ANGLE

G311
 25/CTN
 69 LBS/100



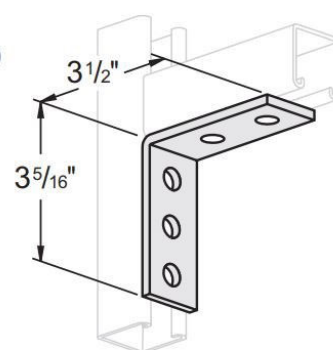
4 HOLE CORNER ANGLE

G3111
 25/CTN
 68 LBS/100



5 HOLE CORNER ANGLE

G3112
 25/CTN
 75 LBS/100



* MATERIAL IS 1-5/8" WIDE x 1/4" THICK UNLESS SPECIFIED • HOLES ARE 9/16" DIAMETER UNLESS SPECIFIED *

PROJECT INFORMATION	APPROVAL STAMP
Project:	Notes:
Address:	
Contractor:	
Engineer:	
Date:	
Approved <input type="checkbox"/> Approved as Noted <input type="checkbox"/> Not Approved <input type="checkbox"/>	