



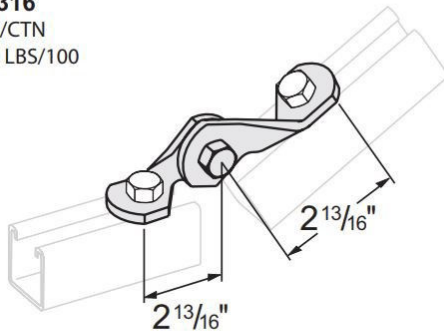
G-STRUT 4100 13<sup>th</sup> Street SW, Canton OH 44710  
 Phone: 866.997.8788 – Fax: 330.477.0626  
[www.gregorystrut.com](http://www.gregorystrut.com)

G316, G3161, G33001, G33002, G33003, G33004, G3171, G3172, G31001, G31002

Adjustable Angle Fittings

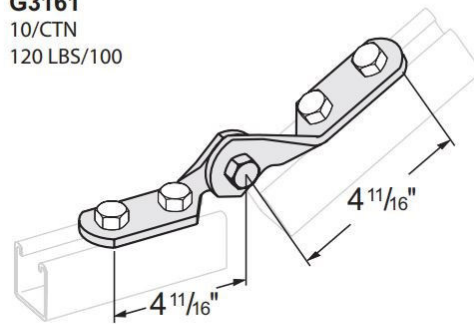
2 HOLE ADJUSTABLE HINGE

**G316**  
 10/CTN  
 89 LBS/100



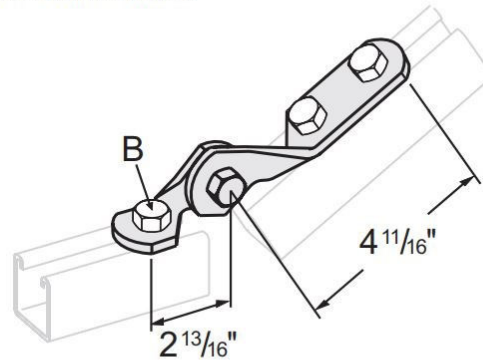
4 HOLE ADJUSTABLE HINGE

**G3161**  
 10/CTN  
 120 LBS/100

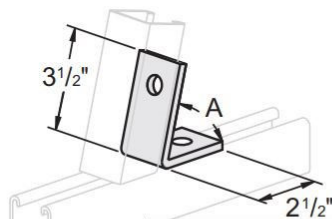


3 HOLE ADJUSTABLE HINGE

PART #	BOLT (B)	CARTON QTY.	LBS./ 100pcs
G33001	3/8"	10	106
G33002	1/2"	10	104
G33003	5/8"	10	102
G33004	3/4"	10	100

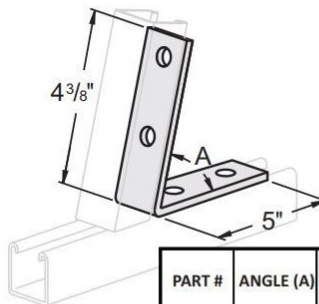


2 HOLE CLOSED ANGLE



PART #	ANGLE (A)	CARTON QTY.	LBS./ 100pcs
G3171	45°	25	53
G3172	67°	25	53

4 HOLE CLOSED ANGLE



PART #	ANGLE (A)	CARTON QTY.	LBS./ 100pcs
G31001	45°	20	88
G31002	60°	20	88

\* MATERIAL IS 1-5/8" WIDE x 1/4" THICK UNLESS SPECIFIED • HOLES ARE 9/16" DIAMETER UNLESS SPECIFIED \*

PROJECT INFORMATION	APPROVAL STAMP
Project:	Notes:
Address:	
Contractor:	
Engineer:	
Date:	
Approved <input type="checkbox"/> Approved as Noted <input type="checkbox"/> Not Approved <input type="checkbox"/>	