

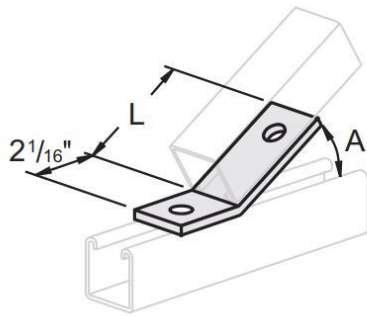


G-STRUT 4100 13th Street SW, Canton OH 44710
 Phone: 866.997.8788 – Fax: 330.477.0626
www.gregorystrut.com

G319, G320, G3200

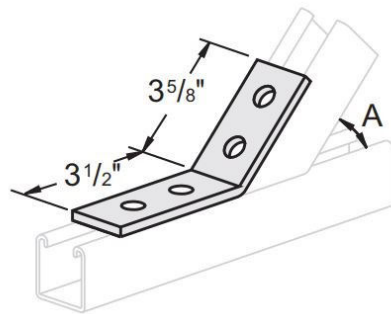
Angle Fittings

2 HOLE OPEN ANGLE



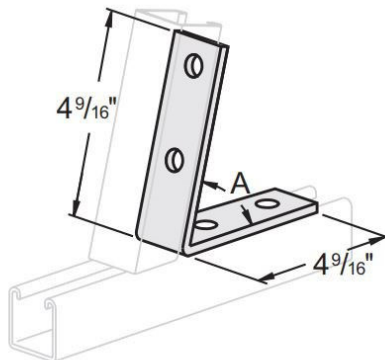
PART #	SIZE (L)	ANGLE (A)	CARTON QTY.	LBS./ 100pcs
G3191	3-1/2"	82-1/2°	25	54
G3192	3-1/2"	75°	25	54
G3193	3-1/2"	67-1/2°	25	54
G3194	3-1/4"	60°	25	54
G3195	3-1/4"	52-1/2°	25	54
G3196	3-1/4"	37-1/2°	25	54
G3197	3-5/16"	30°	25	54
G3198	3-5/16"	22-1/2°	25	54
G3199	3-5/16"	15°	25	54
G31910	3-5/16"	7-1/2°	25	54
G31911	3-1/4"	45°	25	54

4 HOLE OPEN ANGLE



PART #	ANGLE (A)	CARTON QTY.	LBS./ 100pcs
G3201	7-1/2°	25	70
G3202	15°	25	70
G3203	22-1/2°	25	70
G3204	30°	25	70
G3205	37-1/2°	25	70
G3206	45°	25	70
G3207	52-1/2°	25	70
G3208	60°	25	70
G3209	67-1/2°	25	70
G32010	75°	25	70
G32011	82-1/2°	25	70

4 HOLE CLOSED ANGLE



PART #	ANGLE (A)	CARTON QTY.	LBS./ 100pcs
G32001	37-1/2°	25	100
G32002	45°	25	100
G32003	52-1/2°	25	100
G32004	60°	25	100
G32005	67-1/2°	25	100
G32006	75°	25	100
G32007	82-1/2°	25	100

* MATERIAL IS 1-5/8" WIDE x 1/4" THICK UNLESS SPECIFIED • HOLES ARE 9/16" DIAMETER UNLESS SPECIFIED *

PROJECT INFORMATION	APPROVAL STAMP
Project:	Notes:
Address:	
Contractor:	
Engineer:	
Date:	
Approved <input type="checkbox"/> Approved as Noted <input type="checkbox"/> Not Approved <input type="checkbox"/>	