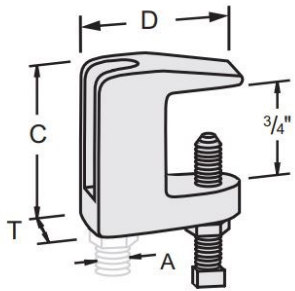




G414, G415, G416, G417

Beam Clamps

**UNIVERSAL DUCTILE BEAM CLAMP**  
(Small Mouth)

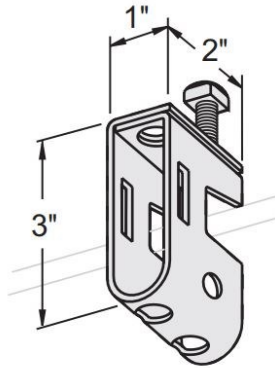


\* Designate EG in Part#, if Electro-Galvanized Finish is Desired \*

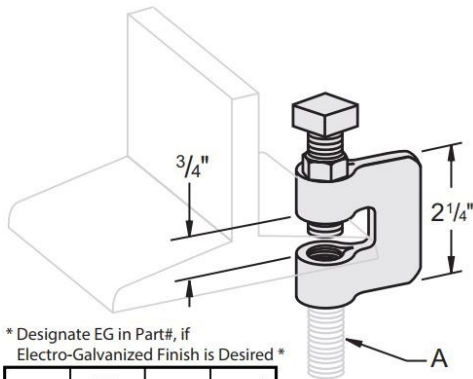
PART #	ROD SIZE (A)	THICKNESS (T)	HIGH (C)	DEEP (D)	CARTON QTY.	LBS./ 100pcs
G4142	3/8	13/16"	1-5/8"	1-7/8"	100	28
G4143	1/2	1-1/8"	1-3/4"	1-3/4"	100	40
G4144	5/8	1-1/8"	1-7/8"	1-7/8"	50	43
G4145	3/4	1-5/16"	1-7/8"	2-3/8"	50	69
G4146	7/8	1-5/16"	1-7/8"	2-3/8"	25	69

**3/4" MAXIMUM FLANGE BEAM CLAMP**  
Finish: Electro-Galvanized

**G415**  
25/CTN  
36 LBS/100



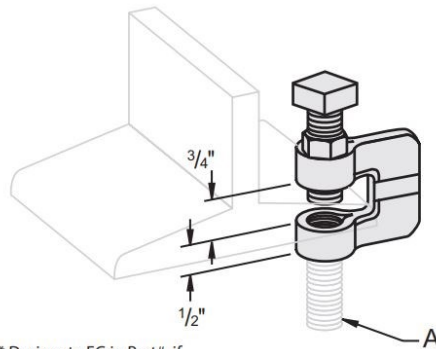
**STEEL C-CLAMP WITH LOCK NUT**



\* Designate EG in Part#, if Electro-Galvanized Finish is Desired \*

PART #	ROD SIZE (A)	CARTON QTY.	LBS./ 100pcs
G416	3/8	100	45
G4161	1/2	100	46
G4162	5/8	50	66
G4163	3/4	50	86
G4164	7/8	25	176

**DUCTILE C-CLAMP WITH LOCK NUT**



\* Designate EG in Part#, if Electro-Galvanized Finish is Desired \*

PART #	ROD SIZE (A)	CARTON QTY.	LBS./ 100pcs
G417	3/8	100	26
G4171	1/2	100	29
G4172	5/8	50	72
G4173	3/4	50	98

\* MATERIAL: STEEL (UNLESS SPECIFIED) \* FINISH: Plain (UNLESS SPECIFIED) \*

PROJECT INFORMATION	APPROVAL STAMP
Project:	Notes:
Address:	
Contractor:	
Engineer:	
Date:	
Approved <input type="checkbox"/> Approved as Noted <input type="checkbox"/> Not Approved <input type="checkbox"/>	