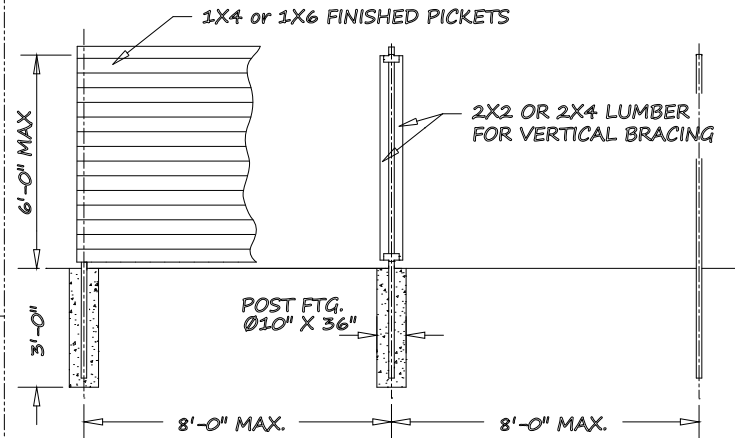


COATINGS:
 FRAMEWORK-COATED PER (ASTM-F-1043) TYPE A

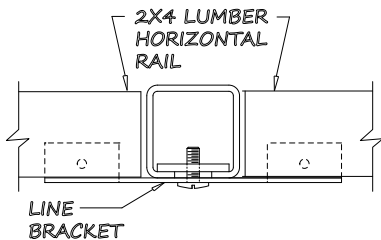
BENDING FORCE ON THE X-X AXIS:
 LINE POST=263 LBS @ 8'-0" ABOVE GRADE

DRIVING OPTIONS:
 IF POST ARE DRIVEN IN LIEU OF CONCRETE SET, DRIVE 3'
 MIN. INTO THE GROUND.

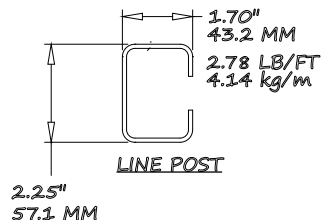
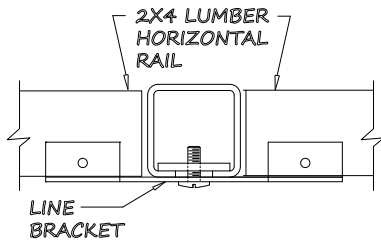
POST HEIGHT ABOVE GROUND:
 MAX PICKET HEIGHT FOR HEAVY C POST IS 8'-0".



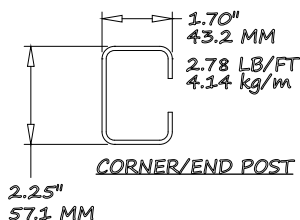
LINE POST CONN. (BOTTOM)



LINE POST CONN. (TOP)

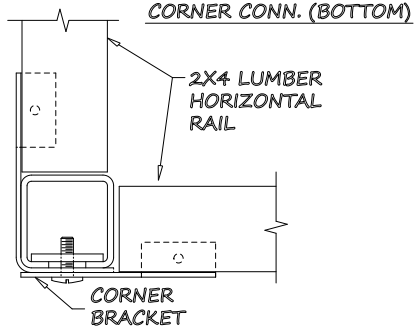


LINE POST

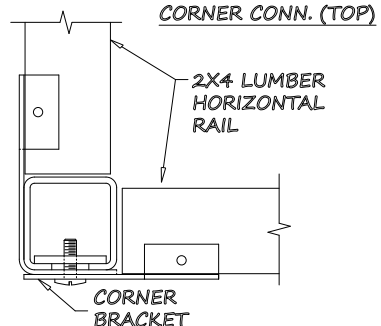


CORNER/END POST

CORNER CONN. (BOTTOM)



CORNER CONN. (TOP)



ITEM	QNTY	DESCRIPTION		MACHINING TOLERANCES	FABRICATION TOLERANCES
SCALE	NONE	CHK'D BY	DTM	0.1 ± 0.030	UNDER 18" ± 1/32
DWN BY	DTM01-11-17	APP'D BY		0.01 ± 0.015	18" AND OVER ± 1/16
				0.005 ± 0.005	ALL MACHINED SURFACES 15°
				ANGLES ± 1/48"	BREAK ALL SHARP EDGES

HEAVY 'C' - HORIZONTAL PICKETS-WOOD

CAD FILENAME:
 FENCE 4-22
 LAST PLOT DATE:
 09/11/17



4100 13th Street SW
 Canton, Ohio 44710

REF. No.
 DRWG No.

FENCE 4-22