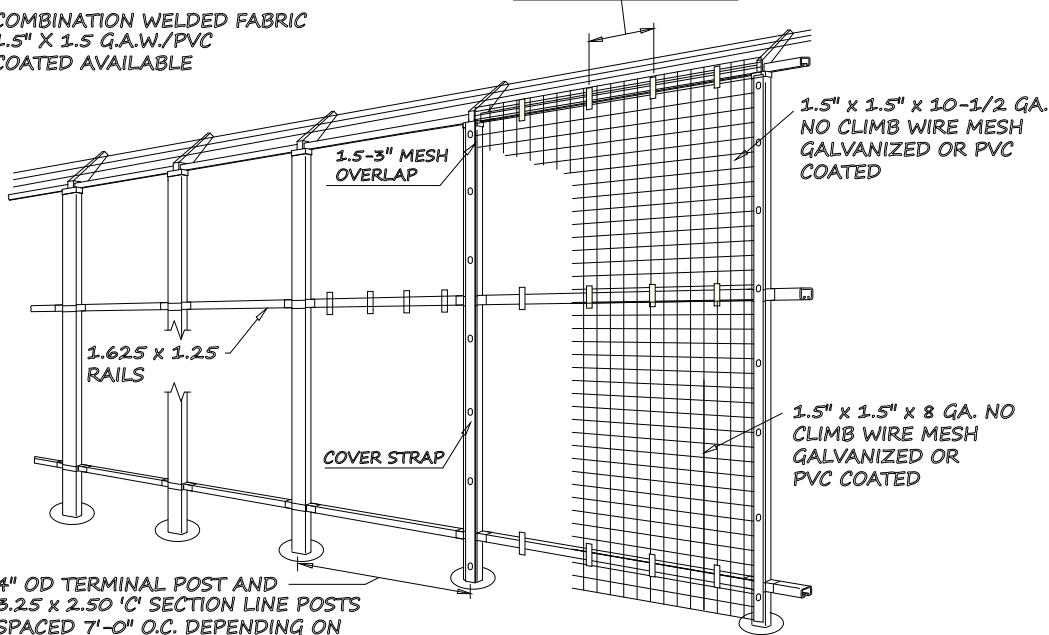
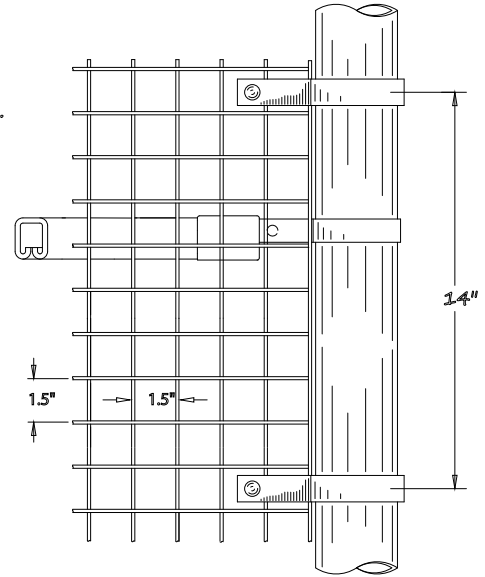
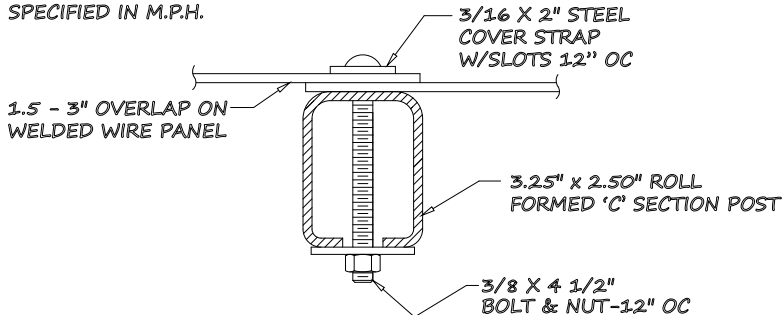


COMBINATION WELDED FABRIC
1.5" X 1.5 G.A.W./PVC
COATED AVAILABLE

RAIL TIE SPACING 24"



4" OD TERMINAL POST AND
3.25 x 2.50 'C' SECTION LINE POSTS
SPACED 7'-0" O.C. DEPENDING ON
APPLICATION OF WIND LOAD
SPECIFIED IN M.P.H.



END/CORNER CONNECTION

ITEM	QNTY	DESCRIPTION		MATERIAL
		MACHINING TOLERANCES		FABRICATION TOLERANCES
SCALE	NONE	CHK'D BY	DTM	0.1 ± 0.030 UNDER 1.8" ± 1/32
		DWN BY		0.02 ± 0.015 1.8" AND OVER ± 1/16
		APP'D BY		± 0.005 ALL MACHINED SURFACES ± 1/2
				± 1/16 BREAK ALL SHARP EDGES
SUPER 'C' with BARB WIRE, ROUND TERM. COVER STRAPS (1.5" WELDED WIRE)				
CAD FILENAME: FENCE 4-40		GREGORY FENCE		REF. No.
LAST PLOT DATE: 07/08/18				DRWG No.
		4100 15th Street SW Canton, Ohio 44710		FENCE 4-40