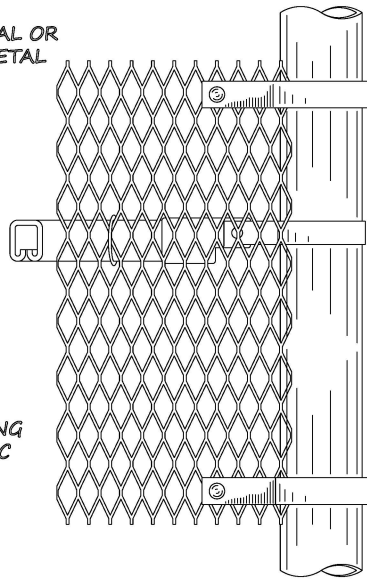
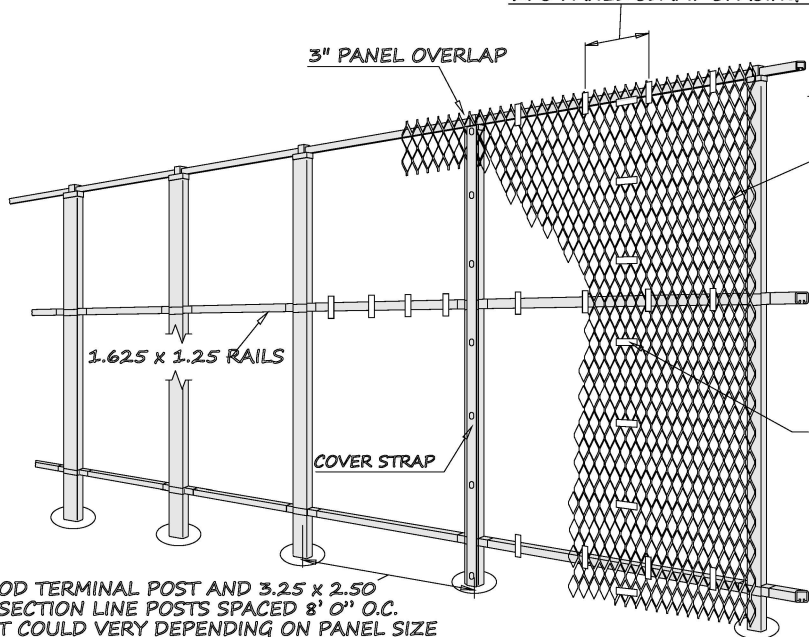


2PC PANEL CLAMP SPACING 12" TO 18"

3" PANEL OVERLAP

1"-7 EXPANDED METAL OR
3/4"-9 EXPANDED METAL
REVERSED DIAMOND

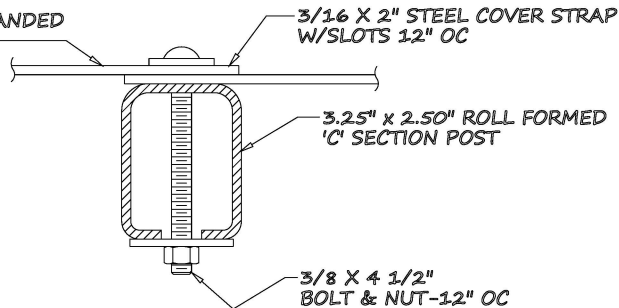


CORNER CONNECTION

3" OVERLAP ON EXPANDED METAL PANELS

3/16 X 2" STEEL COVER STRAP W/SLOTS 12" OC

3.25" x 2.50" ROLL FORMED 'C' SECTION POST



ITEM	QNTY	DESCRIPTION	MACHINING TOLERANCES		FABRICATION TOLERANCES	
SCALE	NONE	CHK'D BY	DTM	0.1 ± 0.030	UNDER 18"	± 1/32
				0.01 ± 0.015	18" AND OVER	± 1/16
DWN BY	DTM	08-10-17	APP'D BY	0.001 ± 0.005	ALL MACHINED SURFACES 15°	
				ANGLES	BREAK ALL SHARP EDGES	

SUPER 'C' - w/o BARB WIRE, ROUND TERM. COVER STRAPS (EXPANDED METAL)

CAD FILENAME:
FENCE 4-6
LAST PLOT DATE:
08/10/17

GREGORY
FENCE

4100 13th Street SW
Canton, Ohio 44710

REF. No.
DRWG No.

FENCE 4-6