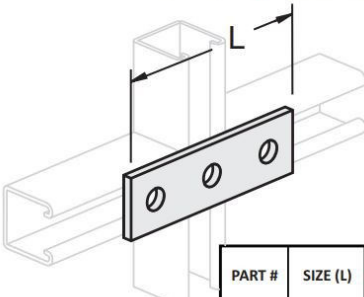
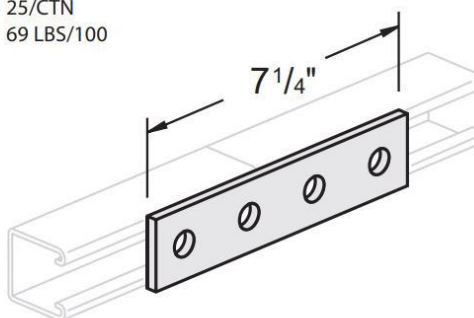
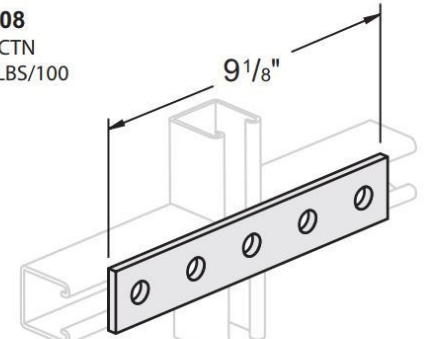
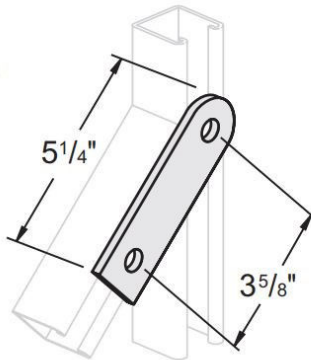
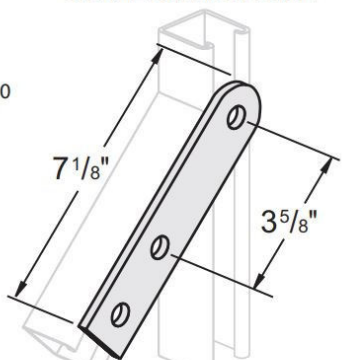
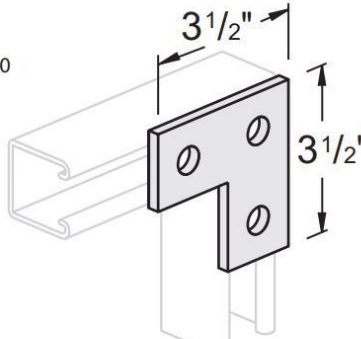




G-STRUT 4100 13th Street SW, Canton OH 44710
 Phone: 866.997.8788 – Fax: 330.477.0626
www.gregorystrut.com

G206, G205, G208, G2071, G207, G210

Flat Plate Fittings

<p style="text-align: center;">3 HOLE SPLICE PLATE</p>  <table border="1" style="margin-left: auto; margin-right: auto; border-collapse: collapse; text-align: center;"> <thead> <tr> <th>PART #</th> <th>SIZE (L)</th> <th>CARTON QTY.</th> <th>LBS./100pcs</th> </tr> </thead> <tbody> <tr> <td>G206</td> <td>5-3/8"</td> <td>50</td> <td>58</td> </tr> <tr> <td>G2061</td> <td>4-7/8"</td> <td>20</td> <td>50</td> </tr> </tbody> </table>	PART #	SIZE (L)	CARTON QTY.	LBS./100pcs	G206	5-3/8"	50	58	G2061	4-7/8"	20	50	<p style="text-align: center;">4 HOLE SPLICE PLATE</p> <p>G205 25/CTN 69 LBS/100</p> 
PART #	SIZE (L)	CARTON QTY.	LBS./100pcs										
G206	5-3/8"	50	58										
G2061	4-7/8"	20	50										
<p style="text-align: center;">5 HOLE CONNECTOR PLATE</p> <p>G208 25/CTN 95 LBS/100</p> 	<p style="text-align: center;">2 HOLE SWIVEL PLATE</p> <p>G2071 25/CTN 49 LBS/100</p> 												
<p style="text-align: center;">3 HOLE SWIVEL PLATE</p> <p>G207 25/CTN 76 LBS/100</p> 	<p style="text-align: center;">3 HOLE FLAT ANGLE PLATE</p> <p>G210 50/CTN 50 LBS/100</p> 												

* MATERIAL IS 1-5/8" WIDE x 1/4" THICK UNLESS SPECIFIED • HOLES ARE 9/16" DIAMETER UNLESS SPECIFIED *

PROJECT INFORMATION	APPROVAL STAMP
Project:	Notes:
Address:	
Contractor:	
Engineer:	
Date:	
Approved <input type="checkbox"/> Approved as Noted <input type="checkbox"/> Not Approved <input type="checkbox"/>	