



G-STRUT 4100 13<sup>th</sup> Street SW, Canton OH 44710

Phone: 866.997.8788 – Fax: 330.477.0626

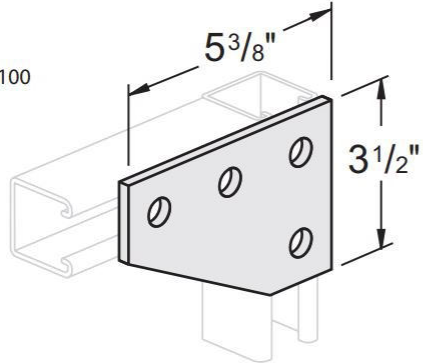
[www.gregorystrut.com](http://www.gregorystrut.com)

G218, G219, G2191, G220, G221, G222

Flat Plate Fittings

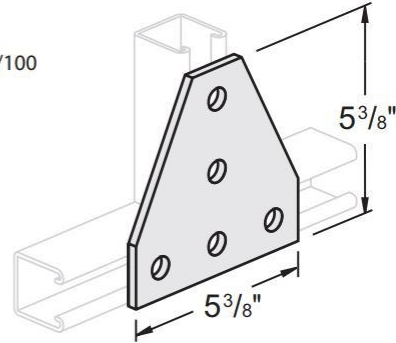
4 HOLE CORNER CONNECTOR PLATE

**G218**  
25/CTN  
92 LBS/100



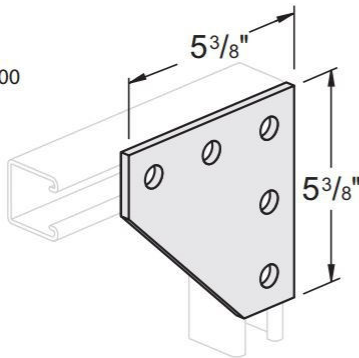
5 HOLE CONNECTOR PLATE

**G219**  
25/CTN  
143 LBS/100



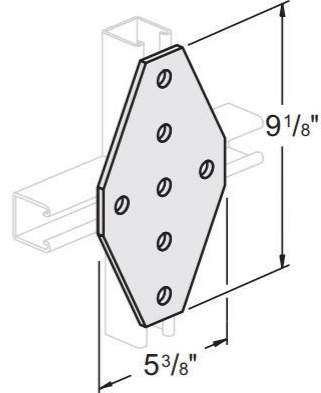
5 HOLE CORNER CONNECTOR PLATE

**G2191**  
10/CTN  
135 LBS/100



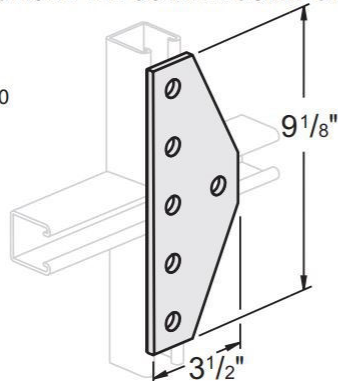
7 HOLE CONNECTOR PLATE

**G220**  
10/CTN  
240 LBS/100



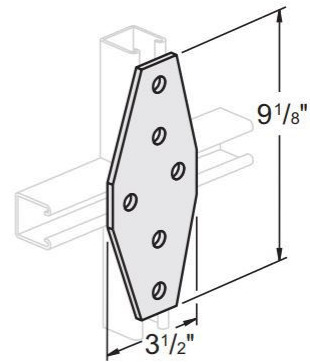
6 HOLE TEE CORNER CONNECTOR

**G221**  
10/CTN  
149 LBS/100



6 HOLE STAGGERED CONNECTOR

**G222**  
10/CTN  
166 LBS/100



\* MATERIAL IS 1-5/8" WIDE x 1/4" THICK UNLESS SPECIFIED • HOLES ARE 9/16" DIAMETER UNLESS SPECIFIED \*

| PROJECT INFORMATION  | APPROVAL STAMP |
|--|----------------|
| Project:   | Notes:         |
| Address:   |                |
| Contractor:  |                |
| Engineer:  |                |
| Date:  |                |
| Approved <input type="checkbox"/> Approved as Noted <input type="checkbox"/> Not Approved <input type="checkbox"/> |                |