



G-STRUT 4100 13th Street SW, Canton OH 44710

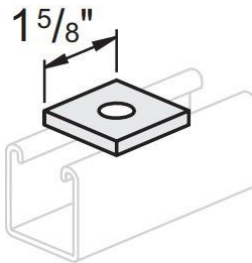
Phone: 866.997.8788 – Fax: 330.477.0626

www.gregorystrut.com

G201, G202, G203, G2033, G2051

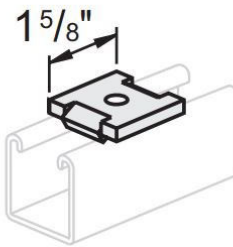
Flat Plate Fittings

SQUARE WASHER



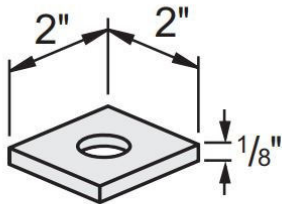
PART #	HOLE SIZE	CARTON QTY.	LBS./100pcs
G201025	1/4"	100	16
G201031	5/16"	100	16
G201037	3/8"	100	16
G201050	1/2"	100	16
G201062	5/8"	100	16
G201075	3/4"	100	16

NO-TURN SQUARE WASHER



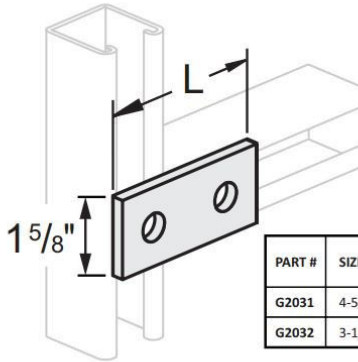
PART #	HOLE SIZE	CARTON QTY.	LBS./100pcs
G202025	1/4"	100	16
G202031	5/16"	100	16
G202037	3/8"	100	16
G202050	1/2"	100	16
G202062	5/8"	100	16
G202075	3/4"	100	16

2"x 2" SQUARE WASHER



PART #	HOLE SIZE	CARTON QTY.	LBS./100pcs
G203037	3/8"	100	13
G203050	1/2"	100	13

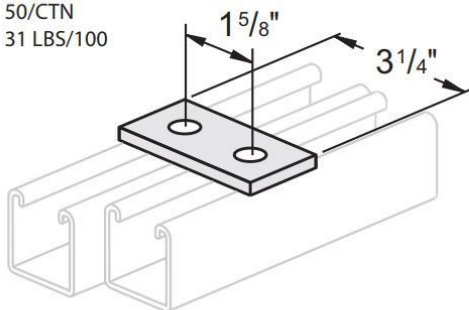
2 HOLE FLAT PLATE CONNECTOR



PART #	SIZE (L)	CARTON QTY.	LBS./100pcs
G2031	4-5/8"	50	50
G2032	3-1/2"	50	33

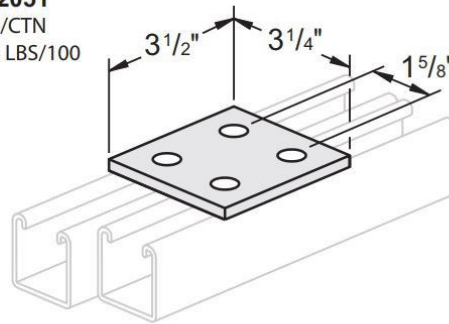
2 HOLE SPLICE PLATE

G2033
50/CTN
31 LBS/100



4 HOLE SPLICE PLATE

G2051
25/CTN
74 LBS/100



* MATERIAL IS 1-5/8" WIDE x 1/4" THICK UNLESS SPECIFIED • HOLES ARE 9/16" DIAMETER UNLESS SPECIFIED *

PROJECT INFORMATION	APPROVAL STAMP
Project:	Notes:
Address:	
Contractor:	
Engineer:	
Date:	
Approved <input type="checkbox"/> Approved as Noted <input type="checkbox"/> Not Approved <input type="checkbox"/>	