

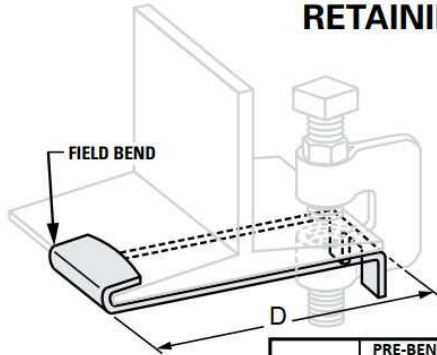


G-STRUT 4100 13th Street SW, Canton OH 44710

Phone: 866.997.8788 – Fax: 330.477.0626

www.gregorystrut.com

RETAINING STRAP – SERIES W115

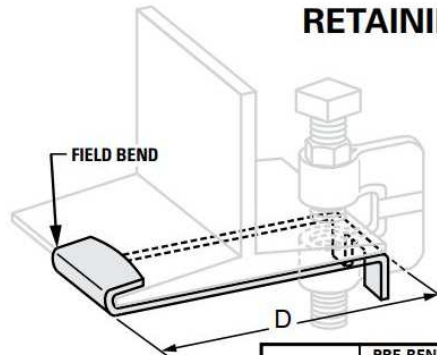


Material: Low Carbon Steel
Finish: Plain
Ordering: Specify rod size; finish; Length and series #.
Function: Designed to eliminate possible movement of the beam clamp due to vibration.
Available In: Electro-Galvanized, 304 & 316 Stainless Steel.
Note: Used with the Steel C-Clamp, W200 Series. Add 1 inch to beam flange width to determine length of strap.

PART #	PRE-BENT STRAP LENGTH (D)	MATERIAL SIZE	LBS./100pcs
W115144	4-1/2"	11ga. x 1"	15
W115160	6"	11ga. x 1"	22
W115180	8"	11ga. x 1"	33
W1151100	10"	11ga. x 1"	36
W1151140	14"	11ga. x 1"	50

All above straps are plain steel. To order other finishes, change the 5th character in the Part # as seen below:
 ELECTRO-GALVANIZED = 2
 STAINLESS STEEL (304) = 8
 STAINLESS STEEL (316) = 0
 Example: **W115, 4 44** = ELECTRO-GALV
2

RETAINING STRAP – SERIES W116



Material: Low Carbon Steel
Finish: Plain
Ordering: Specify rod size; finish; Length and series #.
Function: Designed to eliminate possible movement of the beam clamp due to vibration.
Available In: Electro-Galvanized, 304 & 316 Stainless Steel.
Note: Used with the Steel C-Clamp, W210 Series. Add 1 inch to beam flange width to determine length of strap.

PART #	PRE-BENT STRAP LENGTH (D)	MATERIAL SIZE	LBS./100pcs
W116144	4-1/2"	11ga. x 1-1/4"	21
W116160	6"	11ga. x 1-1/4"	28
W116180	8"	11ga. x 1-1/4"	36
W1161100	10"	11ga. x 1-1/4"	45
W1161140	14"	11ga. x 1-1/4"	59

All above straps are plain steel. To order other finishes, change the 5th character in the Part # as seen below:
 ELECTRO-GALVANIZED = 2
 STAINLESS STEEL (304) = 8
 STAINLESS STEEL (316) = 0
 Example: **W116, 4 44** = ELECTRO-GALV
2

PROJECT INFORMATION	APPROVAL STAMP
Project:	Notes:
Address:	
Contractor:	
Engineer:	
Date:	
Approved <input type="checkbox"/> Approved as Noted <input type="checkbox"/> Not Approved <input type="checkbox"/>	