

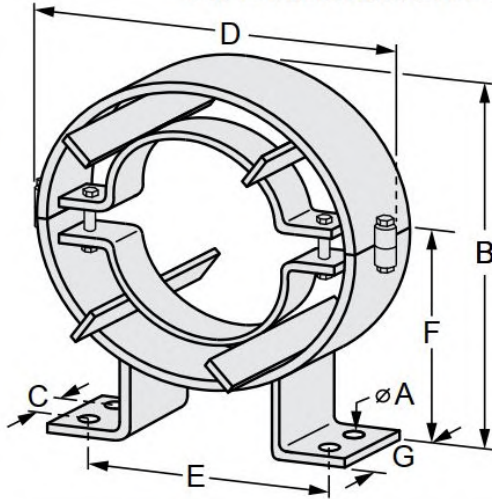


G-STRUT 4100 13<sup>th</sup> Street SW, Canton OH 44710

Phone: 866.997.8788 – Fax: 330.477.0626

[www.gregorystrut.com](http://www.gregorystrut.com)

### PIPE ALIGNMENT GUIDE – SERIES W120



**Material:** Carbon steel.

**Finish:** Plain.

**Ordering:** Specify pipe size; guide size; insulation thickness; series #.

**Function:** Recommended for use in directing thermal expansion of insulated or non-insulated pipe in the direction permitted by expansion joints or loops.

PART #	GUIDE SIZE	PIPE SIZE	INSULATION THICKNESS	SIZE (B)	SIZE (C)	SIZE (D)	SIZE (E)	SIZE (F)	SIZE (G)	LBS./100pcs
W120110	1	1"	1"	5-3/4"	1-3/4"	5-7/8"	4-1/4"	3-1/2"	3"	60
W120120	2	1-1/4" to 2"	1"	6-3/4"	1-3/4"	7"	4-1/2"	4"	3"	80
W120121	2	1-1/4" to 2"	1-1/2"	6-3/4"	1-3/4"	7"	4-1/2"	4"	3"	80
W120130	3	2-1/2"	1"	7-5/8"	1-3/4"	8"	5-1/4"	4-3/8"	3"	100
W120131	3	1-1/4" to 2"	1-1/2"	7-5/8"	1-3/4"	8"	5-1/4"	4-3/8"	3"	100
W120132	3	1"	2"	7-5/8"	1-3/4"	8"	5-1/4"	4-3/8"	3"	100
W120140	4	3" to 4"	1"	9-1/2"	1-3/4"	10-3/8"	6-1/4"	5-1/4"	3"	130
W120141	4	2-1/2" to 3-1/2"	1-1/2"	9-1/2"	1-3/4"	10-3/8"	6-1/4"	5-1/4"	3"	130
W120142	4	1-1/4" to 2-1/2"	2"	9-1/2"	1-3/4"	10-3/8"	6-1/4"	5-1/4"	3"	130
W120143	4	1" to 2"	2-1/2"	9-1/2"	1-3/4"	10-3/8"	6-1/4"	5-1/4"	3"	130
W120144	4	1"	3"	9-1/2"	1-3/4"	10-3/8"	6-1/4"	5-1/4"	3"	130
W120150	5	5" to 6"	1"	11-5/8"	2-3/4"	12-1/2"	7-1/4"	6-1/4"	3"	200
W120151	5	4" to 5"	1-1/2"	11-5/8"	2-3/4"	12-1/2"	7-1/4"	6-1/4"	3"	200
W120152	5	3" to 4"	2"	11-5/8"	2-3/4"	12-1/2"	7-1/4"	6-1/4"	3"	200
W120153	5	2-1/2" to 3-1/2"	2-1/2"	11-5/8"	2-3/4"	12-1/2"	7-1/4"	6-1/4"	3"	200
W120154	5	1-1/4" to 2-1/2"	3"	11-5/8"	2-3/4"	12-1/2"	7-1/4"	6-1/4"	3"	200

PROJECT INFORMATION	APPROVAL STAMP
Project:	Notes:
Address:	
Contractor:	
Engineer:	
Date:	
Approved <input type="checkbox"/> Approved as Noted <input type="checkbox"/> Not Approved <input type="checkbox"/>	