

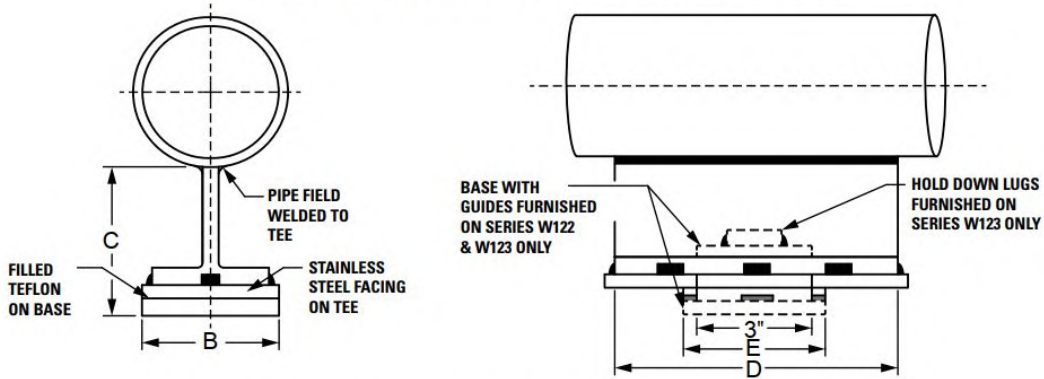


G-STRUT 4100 13th Street SW, Canton OH 44710

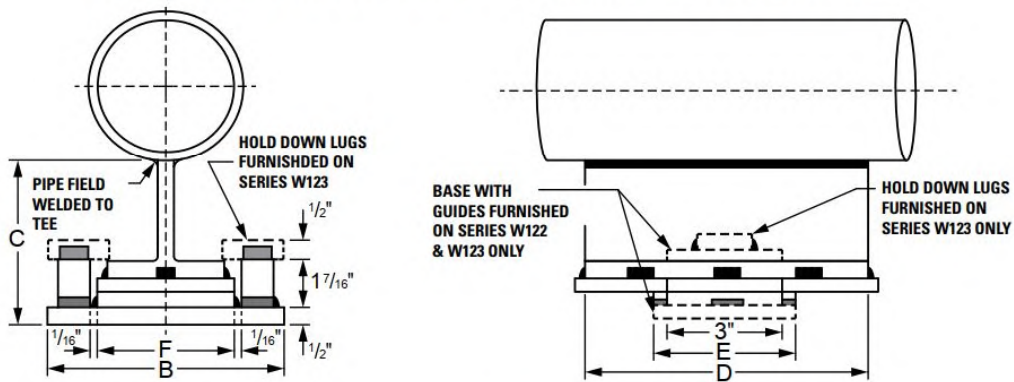
Phone: 866.997.8788 – Fax: 330.477.0626

www.gregorystrut.com

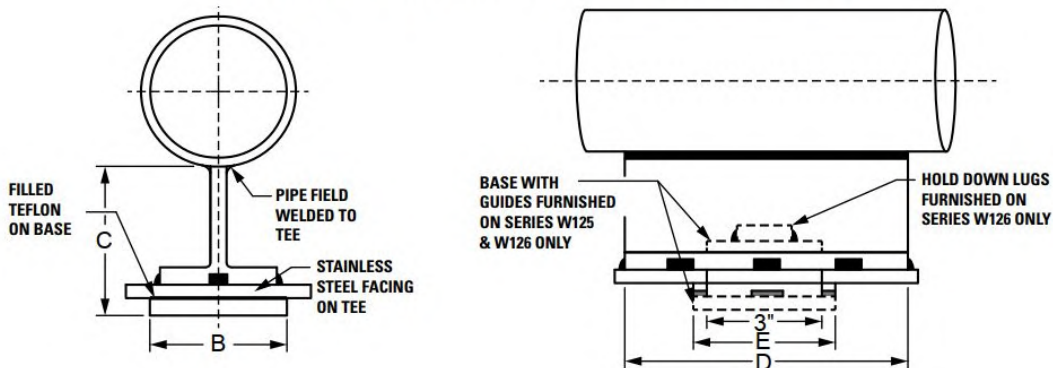
PIPE SLIDE ASSEMBLY – SERIES W121



PIPE SLIDE ASSEMBLY – SERIES W122 & W123



PIPE SLIDE ASSEMBLY – SERIES W124



PROJECT INFORMATION	APPROVAL STAMP
Project:	Notes:
Address:	
Contractor:	
Engineer:	
Date:	
Approved <input type="checkbox"/> Approved as Noted <input type="checkbox"/> Not Approved <input type="checkbox"/>	