



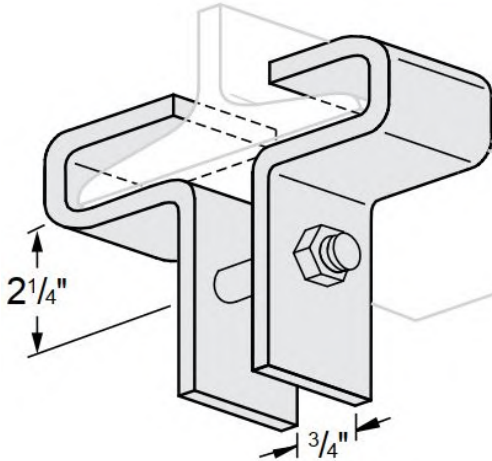
G-STRUT 4100 13th Street SW, Canton OH 44710

Phone: 866.997.8788 – Fax: 330.477.0626

www.gregorystrut.com

CENTER LOAD BEAM CLAMP – SERIES W225

-HEAVY DUTY-



Size Range: See maximum recommended load table.

Material: Low Carbon Steel.

Finish: Plain.

Ordering: Specify type number; width of flange; flange thickness; series # and finish.

Approvals: Complies with Federal Specification A-A-1192A (Type 21) and Manufacturers Standardization Society SP-69 (Type 21).

Function: Designed to be used in the suspension of a hanger rod from the center of an I-beam. The clamp's design allows the load to be distributed equally on either side of the beam. Normally used in conjunction with W715-Series weldless eye nut.

All beam clamps are plain steel.
To order other finishes, change the 5th character in the Part # as seen below:

STAINLESS STEEL (304) = 8

STAINLESS STEEL (316) = 0

Example: **W225 2 43** = STAINLESS STEEL
8

Available In: 304 & 316 Stainless Steel

PART #	TYPE NUMBER	FLANGE WIDTH	BOLT SIZE	MATERIAL SIZE	MAXIMUM FLANGE THICKNESS	MAXIMUM RECOMMENDED LOAD(lbs.)	CARTON QTY.	LBS./100pcs
W225143	4	3	5/8	1/2" x 2"	1/2"	3000	BULK	348
W225153	5	3	5/8	1/2" x 2-1/2"	1/2"	3250	BULK	426
W225163	6	3	3/4	5/8" x 2-1/2"	1/2"	3500	BULK	-
W225144	4	4	5/8	1/2" x 2"	1/2"	3000	BULK	392
W225154	5	4	5/8	1/2" x 2-1/2"	1/2"	3250	BULK	482
W225164	6	4	3/4	5/8" x 2-1/2"	1/2"	3000	BULK	629
W225145	4	5	5/8	1/2" x 2"	5/8"	3000	BULK	428
W225155	5	5	5/8	1/2" x 2-1/2"	5/8"	3250	BULK	523
W225165	6	5	3/4	5/8" x 2-1/2"	5/8"	3000	BULK	661
W225146	4	6	5/8	1/2" x 2"	3/4"	3000	BULK	445

PROJECT INFORMATION	APPROVAL STAMP
Project:	Notes:
Address:	
Contractor:	
Engineer:	
Date:	
Approved <input type="checkbox"/> Approved as Noted <input type="checkbox"/> Not Approved <input type="checkbox"/>	