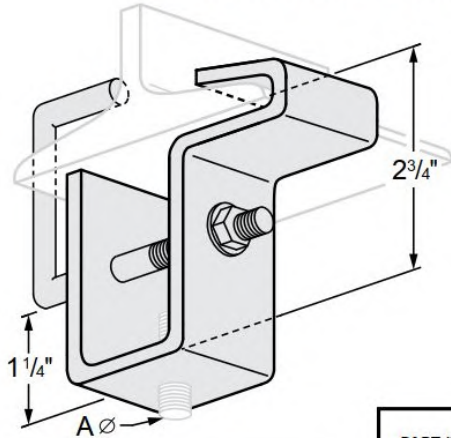




ADJUSTABLE STEEL BEAM CLAMP – SERIES W226

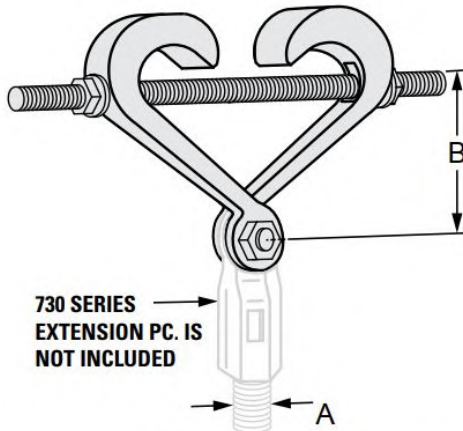


- Size Range:** 3/8" through 5/8" rod sizes.
- Material:** Low Carbon Steel.
- Finish:** Plain.
- Ordering:** Specify rod size; finish; series #.
- Function:** Designed to be used in the suspension of a hanger rod from an I-beam. The clamp is adjustable from 3-1/2" to 8" and can be used with flange thickness up to 3/4".
- Available In:** 304 & 316 Stainless Steel

All beam clamps are plain steel.
 To order other finishes, change the 5th character in the Part # as seen below:
 STAINLESS STEEL (304) = 8
 STAINLESS STEEL (316) = 0
 Example: **W226 4 03** = STAINLESS STEEL
8

PART #	ROD SIZE (A)	FLANGE WIDTH (inches)		MATERIAL SIZE	MAXIMUM RECOMMENDED LOAD(lbs.)	LBS./100pcs
		MIN.	MAX.			
W226103	3/8"	3-1/2"	8"	3 ga. x 1-1/4"	300	118
W226104	1/2"	3-1/2"	8"	3 ga. x 1-1/4"	700	162
W226105	5/8"	3-1/2"	8"	3 ga. x 1-1/4"	1000	218

MALLEABLE BEAM CLAMP – SERIES W230



730 SERIES EXTENSION PC. IS NOT INCLUDED

- Size Range:** 2-3/8" to 7" Flange Width, 3/8" to 7/8" rodsizes.
- Material:** Malleable iron Jaw, Carbon Steel Hardware.
- Finish:** Plain
- Ordering:** Specify series. If extension piece is required, order a 730 series Extension Piece separately
- Approvals:** Complies Manufacturers Standardization Society SP-69 (Type 30).
- Function:** Designed for attaching a hanger rod to the bottom flange of a beam. Flange thickness not to exceed 0.60".

(Order 730 Series Extension Piece Separately)

MAX ROD SIZE (A)	ROD TAKE-OUT (B) FOR WIDTH OF BEAM FLANGE						BOLT DIAMETER	MAXIMUM RECOMMENDED LOAD(lbs.)	LBS./100pcs
	2-3/8"	3"	4"	5"	6"	7"			
7/8	3-1/2"	3-7/16"	3-5/16"	2-15/16"	2-9/16"	1-7/8"	7/16"	1365	249

Note: Please See Factory for Part #'s

PROJECT INFORMATION	APPROVAL STAMP
Project:	Notes:
Address:	
Contractor:	
Engineer:	
Date:	
Approved <input type="checkbox"/> Approved as Noted <input type="checkbox"/> Not Approved <input type="checkbox"/>	