

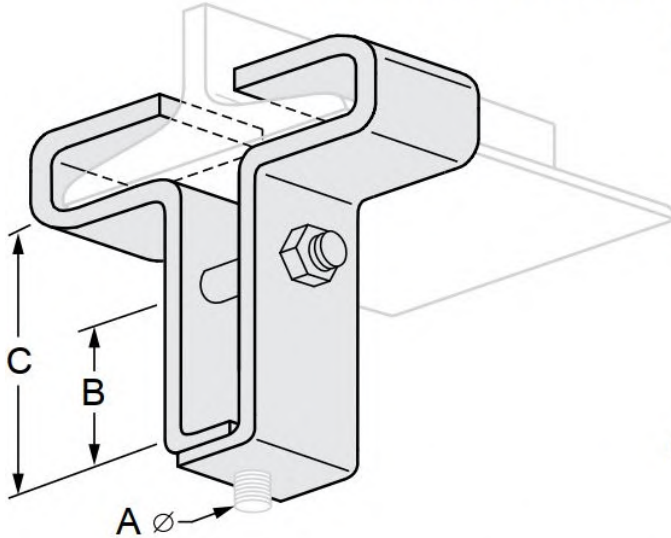


G-STRUT 4100 13<sup>th</sup> Street SW, Canton OH 44710

Phone: 866.997.8788 – Fax: 330.477.0626

[www.gregorystrut.com](http://www.gregorystrut.com)

## STEEL C-TYPE CLAMP – SERIES W227



- Size Range:** 3/8" through 1-1/4" rod size.
- Material:** Carbon Steel.
- Finish:** Plain.
- Ordering:** Specify width of flange; series # and finish.
- Function:** Designed to be used in the suspension of a hanger rod from the center of an I-beam. The clamp's design allows the load to be distributed equally on either side of the beam. This clamp allows approximately 2" of vertical adjustment.
- Available In:** 304 & 316 Stainless Steel

PART #	SIZE (A)	SIZE (B)	SIZE (C)	MATERIAL SIZE	MAXIMUM RECOMMENDED LOAD(lbs.)	WEIGHT EACH (in lbs.)				
						FLANGE WIDTH (inches)				
						4"	5"	6"	7"	8"
W227103	3/8"	3"	4"	3ga. x 1-1/4"	550	1.68	1.81	1.93	2.05	2.14
W227104	1/2"	3"	4"	3ga. x 1-1/2"	850	2.01	2.17	2.31	2.46	2.56
W227105	5/8"	3-1/4"	4-1/2"	3/8" x 1-1/2"	1100	3.28	3.52	3.73	3.95	4.11
W227106	3/4"	3-1/4"	4-1/2"	3/8" x 2"	1500	4.34	4.66	4.95	5.25	5.46
W227107	7/8"	3-1/2"	5"	1/2" x 2"	2600	6.57	6.67	7.05	7.44	7.73
W227110	1"	3-1/2"	5"	1/2" x 2-1/2"	4300	7.97	8.24	8.77	9.26	9.62
W227111	1-1/8"	3-1/2"	5-1/2"	5/8" x 3"	6100	14.46	13.69	13.74	15.07	15.60
W227112	1-1/4"	3-1/2"	5-1/2"	5/8" x 4"	8000	18.76	18.17	18.45	19.82	20.36

All beam clamps are plain steel.  
 To order other finishes, change the 5th character in the Part # as seen below:  
 STAINLESS STEEL (304) = 8  
 STAINLESS STEEL (316) = 0  
 Example: **W227, 8 03** = STAINLESS STEEL  
**8**

PROJECT INFORMATION	APPROVAL STAMP
Project:	Notes:
Address:	
Contractor:	
Engineer:	
Date:	
Approved <input type="checkbox"/> Approved as Noted <input type="checkbox"/> Not Approved <input type="checkbox"/>	