

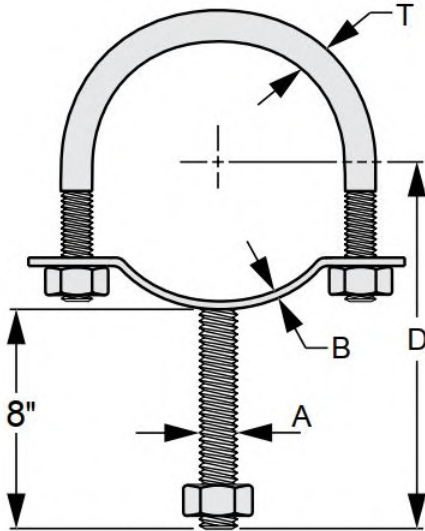


G-STRUT 4100 13<sup>th</sup> Street SW, Canton OH 44710

Phone: 866.997.8788 – Fax: 330.477.0626

[www.gregorystrut.com](http://www.gregorystrut.com)

## PIPE SADDLE SUPPORT – SERIES W240



- Size Range:** 2" through 12" pipe size.
- Material:** Carbon Steel.
- Finish:** Plain
- Ordering:** Specify pipe size; finish; and series #.
- Approvals:** Complies with Federal Specification WW-H-171E (Type 8), also A-A-1192 (Type 8) and Manufacturers Standardization Society SP-69 (Type 8).
- Function:** Recommended for supporting and stabilizing horizontal pipe runs.
- Available In:** Electro-Galvanized.

PART #	PIPE SIZE	ROD SIZE (A)	SIZE (B)	THICKNESS (T)	SIZE (D)	LBS./100pcs
W240120	2"	5/8	1/4 x 1	1/4"	9-7/16"	120
W240124	2-1/2"	5/8	1/4 x 1	3/8"	9-5/8"	140
W240130	3"	5/8	1/4 x 1	3/8"	10"	160
W240140	4"	7/8	1/4 x 1-1/4	1/2"	10-1/2"	300
W240150	5"	7/8	1/4 x 1-1/4	1/2"	11"	320
W240160	6"	1	1/4 x 1-1/2	5/8"	11-5/8"	490
W240180	8"	1	1/4 x 1-1/2	5/8"	12-5/8"	620
W2401100	10"	1-1/4	1/2 x 2	5/8"	13-7/8"	1050
W2401120	12"	1-1/4	1/2 x 2	5/8"	14-7/8"	1180

All above saddle supports are plain steel.  
 To order other finishes, change the 5th character in the Part # as seen below:  
 ELECTRO-GALVANIZED = 2  
 Example: **W240120** = ELECTRO-GALV  
**2**

PROJECT INFORMATION	APPROVAL STAMP
Project:	Notes:
Address:	
Contractor:	
Engineer:	
Date:	
Approved <input type="checkbox"/> Approved as Noted <input type="checkbox"/> Not Approved <input type="checkbox"/>	