

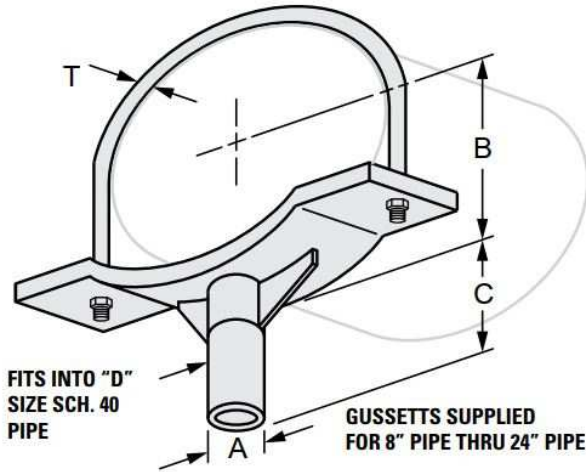


G-STRUT 4100 13th Street SW, Canton OH 44710

Phone: 866.997.8788 – Fax: 330.477.0626

www.gregorystrut.com

HEAVY DUTY PIPE SADDLE w/ U-BOLT – SERIES W250



- Size Range:** 4" through 24" pipe size.
- Material:** Carbon Steel.
- Finish:** Plain
- Ordering:** Specify pipe size; finish; and series #.
- Function:** Recommended for supporting and stabilizing horizontal pipe runs.
- Available In:** Electro-Galvanized, 304 & 316 Stainless Steel.

PART #	PIPE SIZE	SIZE (A)	SIZE (B)	SIZE (C)	SIZE (D)	THICKNESS (T)	LBS./ 100pcs
W250140	4"	2-3/8"	3-3/4"	3"	2-1/2"	1/2"	560
W250150	5"	2-3/8"	4-1/8"	3"	2-1/2"	1/2"	600
W250160	6"	2-3/8"	4-7/8"	3"	2-1/2"	5/8"	780
W250180	8"	2-3/8"	6-7/8"	4"	2-1/2"	5/8"	1080
W2501100	10"	2-3/8"	7-7/8"	4"	2-1/2"	3/4"	1360
W2501120	12"	2-3/8"	9-1/8"	4"	2-1/2"	7/8"	1720
W2501140	14"	2-7/8"	10-1/2"	4"	3"	7/8"	2840
W2501160	16"	2-7/8"	11-1/2"	4"	3"	7/8"	3120
W2501180	18"	3-3/4"	13-1/2"	4"	4"	1"	4000
W2501200	20"	3-3/4"	14-1/2"	4"	4"	1"	4260
W2501240	24"	3-3/4"	17-1/2"	4"	4"	1"	4580

All above saddle supports are plain steel.
To order other finishes, change the 5th character in the Part # as seen below:

STAINLESS STEEL (304) = 8
STAINLESS STEEL (316) = 0
ELECTRO-GALVANIZED = 2

Example: **W250 2 40** = ELECTRO-GALV
2

PROJECT INFORMATION	APPROVAL STAMP
Project:	Notes:
Address:	
Contractor:	
Engineer:	
Date:	
Approved <input type="checkbox"/> Approved as Noted <input type="checkbox"/> Not Approved <input type="checkbox"/>	