

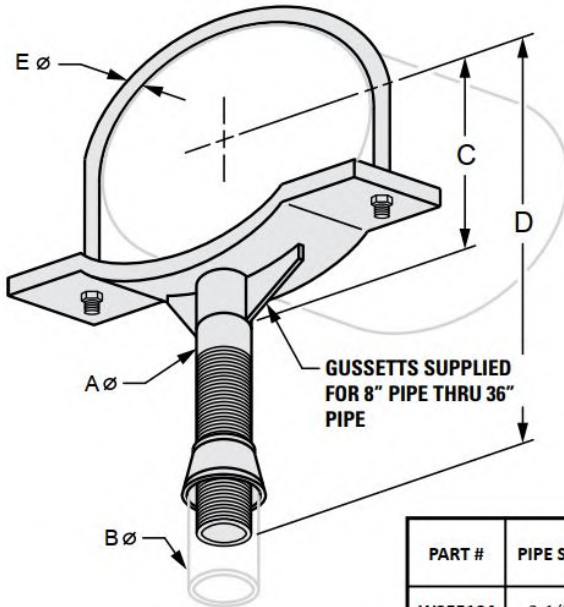


G-STRUT 4100 13<sup>th</sup> Street SW, Canton OH 44710

Phone: 866.997.8788 – Fax: 330.477.0626

[www.gregorystrut.com](http://www.gregorystrut.com)

## ADJUSTABLE PIPE SADDLE SUPPORT w/U-BOLT – SERIES W255



**Size Range:** 2-1/2" through 36" pipe size.

**Material:** Steel.

**Finish:** Plain

**Ordering:** Specify pipe size; finish; and series #.

**Approvals:** Complies with Federal Specifications A-A-1192 (Type 38) and Manufacturers' Standardization Society ANSI/SP-69 and SP-58 (Type 38).

**Function:** Designed to support horizontal pipe. Normally used in conjunction with Series W275 threaded base stand to provide vertical adjustment of the pipe. The U-bolt is used to secure the pipe to the saddle.

**Available In:** Electro-Galvanized.

All above saddle supports are plain steel. To order other finishes, change the 5th character in the Part # as seen below:

ELECTRO-GALVANIZED = 2

Example: **W255 2 24** = ELECTRO-GALV 2

PART #	PIPE SIZE	SIZE (A)	SIZE (B)	SIZE (C)	ADJUSTMENT (D)		SIZE (F)	LBS./100pcs
					MIN.	MAX.		
W255124	2-1/2"	1-1/2"	2-1/2"	3-11/16"	9-7/16"	13-15/16"	1/2"	890
W255130	3"	1-1/2"	2-1/2"	4"	9-3/4"	14-1/4"	1/2"	905
W255134	3-1/2"	1-1/2"	2-1/2"	4-1/4"	10"	14-1/2"	1/2"	925
W255140	4"	2-1/2"	3"	4-1/2"	10-3/4"	15-1/4"	1/2"	1325
W255150	5"	2-1/2"	3"	5-1/16"	11-5/16"	15-13/16"	1/2"	1345
W255160	6"	2-1/2"	3"	5-11/16"	11-15/16"	16-7/16"	5/8"	1625
W255180	8"	2-1/2"	3"	6-11/16"	12-15/16"	17-7/16"	5/8"	1795
W2551100	10"	2-1/2"	3"	8"	14-1/4"	18-3/4"	3/4"	2255
W2551120	12"	2-1/2"	3"	9"	15-1/4"	19-3/4"	7/8"	2610
W2551140	14"	3"	4"	11-3/4"	17-1/2"	22"	7/8"	4165
W2551160	16"	3"	4"	12-3/4"	18-1/2"	23"	7/8"	4410
W2551180	18"	4"	6"	15"	20-3/4"	25-1/4"	1"	7090
W2551200	20"	4"	6"	16"	21-3/4"	26-1/4"	1"	7375
W2551240	24"	4"	6"	18-1/2"	24-1/4"	28-3/4"	1"	9160
W2551300	30"	4"	6"	21"	26-3/4"	31-1/4"	1"	10655
W2551360	36"	4"	6"	24"	29-3/4"	34-1/4"	1"	11250

PROJECT INFORMATION	APPROVAL STAMP
Project:	Notes:
Address:	
Contractor:	
Engineer:	
Date:	
Approved <input type="checkbox"/> Approved as Noted <input type="checkbox"/> Not Approved <input type="checkbox"/>	