

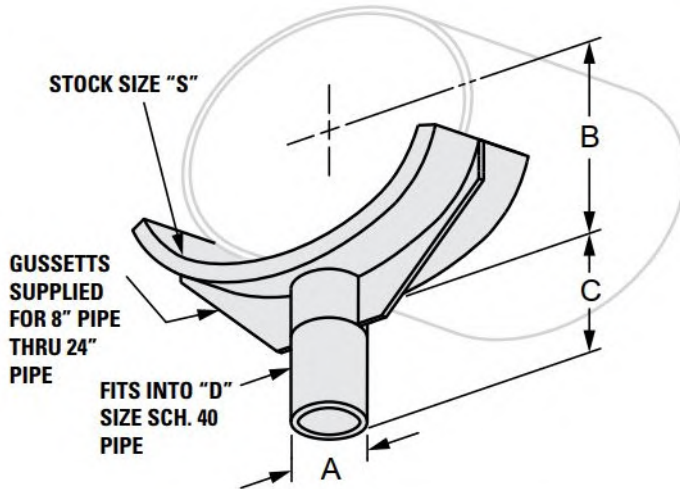


G-STRUT 4100 13th Street SW, Canton OH 44710

Phone: 866.997.8788 – Fax: 330.477.0626

www.gregorystrut.com

HEAVY DUTY PIPE SADDLE – SERIES W260



Size Range: 4" through 24" pipe size.

Material: Carbon Steel.

Finish: Plain

Ordering: Specify pipe size; finish; and series #.

Function: Recommended for supporting horizontal pipe runs.

PART #	PIPE SIZE	SIZE (A)	SIZE (B)	SIZE (C)	SIZE (D)	SIZE (S)	LBS./100pcs
W260140	4"	2-3/8"	3-3/4"	3"	2-1/2"	3/8" x 4"	400
W260150	5"	2-3/8"	4-1/8"	3"	2-1/2"	3/8" x 4"	460
W260160	6"	2-3/8"	4-7/8"	3"	2-1/2"	3/8" x 4"	490
W260180	8"	2-3/8"	6-7/8"	4"	2-1/2"	3/8" x 4"	760
W2601100	10"	2-3/8"	7-7/8"	4"	2-1/2"	3/8" x 4"	850
W2601120	12"	2-3/8"	9-1/8"	4"	2-1/2"	3/8" x 4"	960
W2601140	14"	2-7/8"	10-1/2"	4"	3"	1/2" x 4"	1450
W2601160	16"	2-7/8"	11-1/2"	4"	3"	1/2" x 4"	1580
W2601180	18"	3-3/4"	13-1/2"	4"	4"	1/2" x 5"	2250
W2601200	20"	3-3/4"	14-1/2"	4"	4"	1/2" x 5"	2400
W2601240	24"	3-3/4"	17-1/2"	4"	4"	1/2" x 5"	3000

PROJECT INFORMATION	APPROVAL STAMP
Project:	Notes:
Address:	
Contractor:	
Engineer:	
Date:	
Approved <input type="checkbox"/> Approved as Noted <input type="checkbox"/> Not Approved <input type="checkbox"/>	