

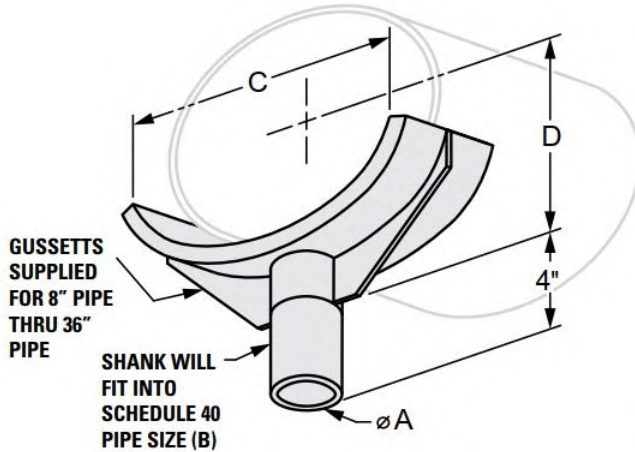


G-STRUT 4100 13th Street SW, Canton OH 44710

Phone: 866.997.8788 – Fax: 330.477.0626

www.gregorystrut.com

HEAVY DUTY PIPE SADDLE – SERIES W261



- Size Range:** 2-1/2" through 36" pipe size.
- Material:** Steel.
- Finish:** Plain
- Ordering:** Specify pipe size; finish; and series #.
- Approvals:** Complies with Federal Specifications A-A-1192A (Type 36) and Manufacturers' Standardization Society ANSI/SP-69 and SP-58 (Type 36).
- Function:** Designed to support horizontal pipe running close to the floor. Normally used in conjunction with floor stanchions.
- Available In:** Electro-Galvanized, 304 & 316 Stainless Steel.

All above saddle supports are plain steel. To order other finishes, change the 5th character in the Part # as seen below:
 STAINLESS STEEL (304) = 8
 STAINLESS STEEL (316) = 0
 ELECTRO-GALVANIZED = 2
 Example: **W261, 24** = ELECTRO-GALV 2

PART #	PIPE SIZE	SIZE (A)	SIZE (B)	SIZE (C)	SIZE (D)	LBS./100pcs
W261124	2-1/2"	1-1/2"	1-1/2"	2-1/2"	3-11/16"	167
W261130	3"	1-1/2"	1-1/2"	3-1/32"	4"	176
W261134	3-1/2"	1-1/2"	1-1/2"	3-7/16"	4-1/4"	188
W261140	4"	2-3/8"	2-1/2"	4-1/4"	4-1/2"	360
W261150	5"	2-3/8"	2-1/2"	4-13/16"	5-1/16"	381
W261160	6"	2-3/8"	2-1/2"	6-1/16"	5-11/16"	550
W261180	8"	2-3/8"	2-1/2"	7-15/16"	6-11/16"	760
W2611100	10"	2-3/8"	2-1/2"	9-5/8"	7-7/8"	766
W2611120	12"	2-3/8"	2-1/2"	11-11/16"	8-7/8"	895
W2611140	14"	2-7/8"	3"	12-1/8"	11-5/8"	1654
W2611160	16"	2-7/8"	3"	13-7/8"	12-5/8"	1870
W2611180	18"	4"	4"	15-19/32"	14-3/4"	2798
W2611200	20"	4"	4"	17-5/16"	15-3/4"	3020
W2611240	24"	4"	4"	20-25/32"	18"	4146
W2611300	30"	4"	4"	26"	21"	7624
W2611360	36"	4"	4"	31-3/16"	24"	8877

PROJECT INFORMATION	APPROVAL STAMP
Project:	Notes:
Address:	
Contractor:	
Engineer:	
Date:	
Approved <input type="checkbox"/> Approved as Noted <input type="checkbox"/> Not Approved <input type="checkbox"/>	