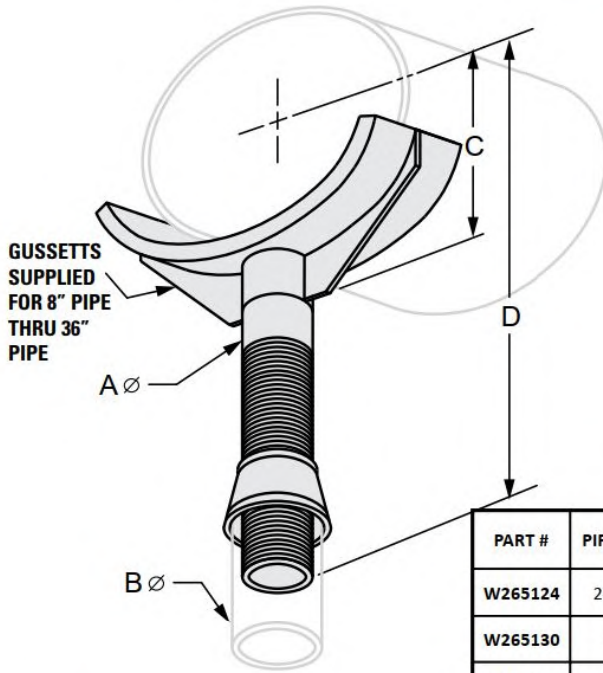




G-STRUT 4100 13<sup>th</sup> Street SW, Canton OH 44710  
 Phone: 866.997.8788 – Fax: 330.477.0626  
[www.gregorystrut.com](http://www.gregorystrut.com)

## ADJUSTABLE PIPE SADDLE SUPPORT – SERIES W265



- Size Range:** 2-1/2" through 36" pipe size.
- Material:** Steel.
- Finish:** Plain
- Ordering:** Specify pipe size; finish; and series #.
- Approvals:** Complies with Federal Specifications A-A-1192 (Type 38) and Manufacturers' Standardization Society ANSI/SP-69 and SP-58 (Type 38).
- Function:** Designed to support horizontal pipe. Normally used in conjunction with Series W275 threaded base stand to provide vertical adjustment of the pipe.
- Available In:** Electro-Glvanized.

All above saddle supports are plain steel. To order other finishes, change the 5th character in the Part # as seen below:  
 ELECTRO-GALVANIZED = 2  
 Example: W265, ~~2~~24 = ELECTRO-GALV  
 2

PART #	PIPE SIZE	SIZE (A)	SIZE (B)	SIZE (C)	ADJUSTMENT (D)		LBS./100pcs
					MIN.	MAX.	
W265124	2-1/2"	1-1/2"	2-1/2"	3-11/16"	9-7/16"	13-15/16"	525
W265130	3"	1-1/2"	2-1/2"	4"	9-3/4"	14-1/4"	550
W265134	3-1/2"	1-1/2"	2-1/2"	4-1/4"	10"	14-1/2"	550
W265140	4"	2-1/2"	3"	4-1/2"	10-3/4"	15-1/4"	1060
W265150	5"	2-1/2"	3"	5-1/16"	11-5/16"	15-13/16"	1081
W265160	6"	2-1/2"	3"	5-11/16"	11-15/16"	16-7/16"	1234
W265180	8"	2-1/2"	3"	6-11/16"	12-15/16"	17-7/16"	1500
W2651100	10"	2-1/2"	3"	7-7/8"	14-1/8"	18-5/8"	1614
W2651120	12"	2-1/2"	3"	8-7/8"	15-1/8"	19-5/8"	1768
W2651140	14"	3"	4"	11-5/8"	17-3/8"	21-7/8"	2818
W2651160	16"	3"	4"	12-5/8"	18-3/8"	22-7/8"	3010
W2651180	18"	4"	6"	14-3/4"	20-1/2"	25"	4998
W2651200	20"	4"	6"	15-3/4"	21-1/2"	26"	5200
W2651240	24"	4"	6"	18"	23-3/4"	28-1/4"	6347
W2651300	30"	4"	6"	21"	26-3/4"	31-1/4"	9224
W2651360	36"	4"	6"	24"	29-3/4"	34-1/4"	11077

PROJECT INFORMATION	APPROVAL STAMP
Project:	Notes:
Address:	
Contractor:	
Engineer:	
Date:	
Approved <input type="checkbox"/> Approved as Noted <input type="checkbox"/> Not Approved <input type="checkbox"/>	