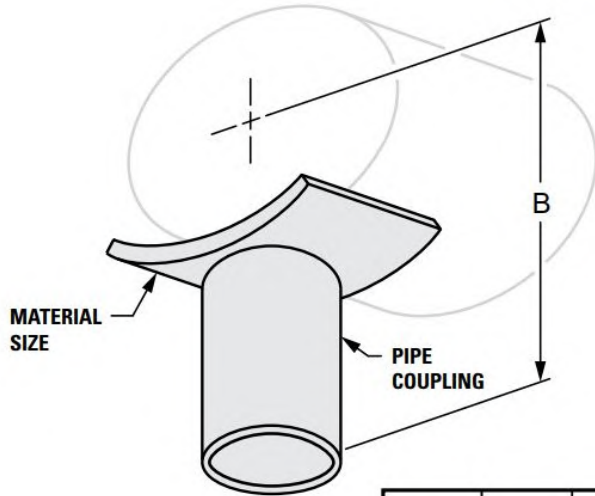




G-STRUT 4100 13<sup>th</sup> Street SW, Canton OH 44710  
 Phone: 866.997.8788 – Fax: 330.477.0626  
[www.gregorystrut.com](http://www.gregorystrut.com)

## PIPE SADDLE SUPPORT w/ COUPLING – SERIES W270



**Size Range:** 1-1/2" thru 12" pipe size.  
**Material:** Steel.  
**Finish:** Plain.  
**Ordering:** Specify pipe size; finish and series #.  
**Function:** Design to support horizontal pipe from floor stanchions. Normally used in conjunction with Series W275 threaded base stand.  
**Available In:** Electro-Galvanized, 304 & 316 Stainless Steel.

PART #	PIPE SIZE	SIZE (B)	COUPLING PIPE SIZE	LBS./ 100pcs
W270114	1-1/2"	3-1/4"	1-1/4"	85
W270120	2"	3-5/8"	1-1/4"	112
W270124	2-1/2"	3-7/8"	1-1/2"	162
W270130	3"	4-3/16"	1-1/2"	179
W270134	3-1/2"	4-7/16"	1-1/2"	194
W270140	4"	4-3/4"	2"	273
W270150	5"	2"	2"	309
W270160	6"	2-1/2"	2-1/2"	586
W270180	8"	2-1/2"	2-1/2"	688
W2701100	10"	3"	3"	1011
W2701120	12"	3"	3"	1128

All above saddle supports are plain steel.  
 To order other finishes, change the 5th character in the Part # as seen below:  
 STAINLESS STEEL (304) = 8  
 STAINLESS STEEL (316) = 0  
 ELECTRO-GALVANIZED = 2  
 Example: **W270114** = ELECTRO-GALV  
**2**

PROJECT INFORMATION	APPROVAL STAMP
Project:	Notes:
Address:	
Contractor:	
Engineer:	
Date:	
Approved <input type="checkbox"/> Approved as Noted <input type="checkbox"/> Not Approved <input type="checkbox"/>	