

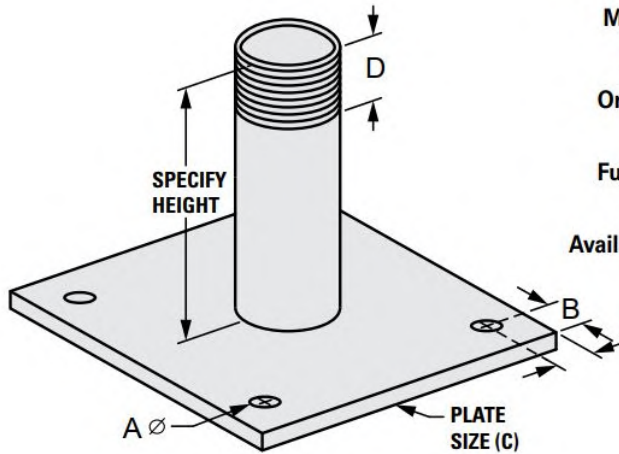


G-STRUT 4100 13th Street SW, Canton OH 44710

Phone: 866.997.8788 – Fax: 330.477.0626

www.gregorystrut.com

THREADED BASE STAND – SERIES W275



- Size Range:** 1" thru 6" pipe size.
- Material:** Steel.
- Finish:** Plain.
- Ordering:** Specify pipe size; height; finish and series #.
- Function:** Design for use as a base stand for pipe supports.
- Available In:** Electro-Galvanized, 304 & 316 Stainless Steel.
- Notes:** Weight is based on a height of 18"

PART #	PIPE SIZE	SIZE (A)	SIZE (B)	PLATE SIZE (C)	SIZE (D)	LBS./100pcs
W275110	1"	9/16"	1"	1/4" x 6" x 6"	1-1/2"	495
W275112	1-1/4"	9/16"	1"	1/4" x 6" x 6"	1-1/2"	583
W275114	1-1/2"	9/16"	1"	1/4" x 6" x 6"	1-1/2"	649
W275120	2"	9/16"	1"	1/4" x 6" x 6"	1-1/2"	785
W275124	2-1/2"	9/16"	1-1/4"	3/8" x 8" x 8"	1-1/2"	1524
W275130	3"	13/16"	1-1/2"	3/8" x 12" x 12"	1-1/2"	2624
W275140	4"	15/16"	1-1/2"	1/2" x 12" x 12"	2"	3594
W275160	6"	1-1/8"	1-1/2"	1/2" x 18" x 18"	2"	7346

All above pipe stands are plain steel.
 To order other finishes, change the 5th character in the Part # as seen below:
 STAINLESS STEEL (304) = 8
 STAINLESS STEEL (316) = 0
 ELECTRO-GALVANIZED = 2
 Example: **W275, 110** = ELECTRO-GALV
2

PROJECT INFORMATION	APPROVAL STAMP
Project:	Notes:
Address:	
Contractor:	
Engineer:	
Date:	
Approved <input type="checkbox"/> Approved as Noted <input type="checkbox"/> Not Approved <input type="checkbox"/>	