

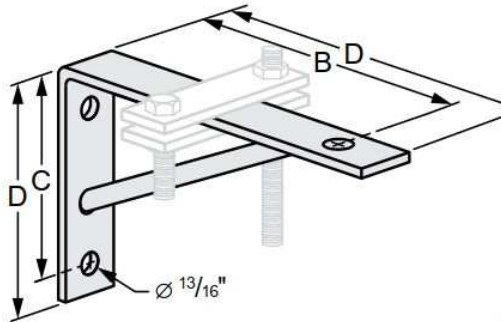


G-STRUT 4100 13<sup>th</sup> Street SW, Canton OH 44710

Phone: 866.997.8788 – Fax: 330.477.0626

[www.gregorystrut.com](http://www.gregorystrut.com)

## LIGHT DUTY WALL BRACKET – SERIES W280



- Size Range:** 9", 13" or 19" size.
- Material:** Low Carbon Steel.
- Finish:** Plain.
- Ordering:** Specify size; finish and series #.
- Approvals:** Complies with Federal Specifications A-A-1192 (Type 31) and Manufacturers' Standardization Society ANSI/SP-69 and SP-58 (Type 31).
- Function:** Design to suspend hanger rod for support light loads under 750lbs. Normally used in conjunction with Series W281 wall bracket clip.
- Available In:** Electro-Galvanized, 304 & 316 Stainless Steel.

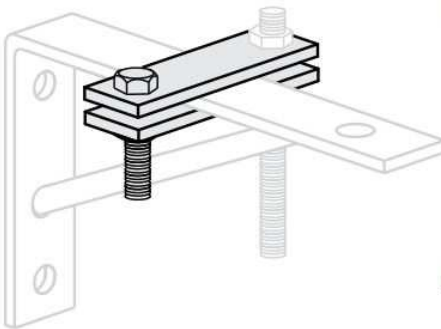
All wall brackets are plain steel.  
To order other finishes, change the 5th character in the Part # as seen below:

STAINLESS STEEL (304) = 8  
STAINLESS STEEL (316) = 0  
ELECTRO-GALVANIZED = 2

Example: **W280, 2, 90** = ELECTRO-GALV 2

PART #	SIZE (B)	SIZE (C)	SIZE (D)	MAXIMUM RECOMMENDED LOAD(lbs.)	LBS./100pcs
W280190	8"	6-1/2"	9"	750	600
W2801130	12"	10-1/2"	13"	750	870
W2801190	18"	16-1/2"	19"	750	1060

## WALL BRACKET CLIP – SERIES W281



- Size Range:** 3/8" or 1/2" rod size.
- Material:** Low Carbon Steel.
- Finish:** Plain.
- Ordering:** Specify rod size; finish and series #.
- Function:** Design for use in conjunction with Series W280 wall bracket, to allow the rod to be suspended at any point along the length of the bracket.
- Available In:** Electro-Galvanized, 304 & 316 Stainless Steel.

All wall brackets clips are plain steel.  
To order other finishes, change the 5th character in the Part # as seen below:

STAINLESS STEEL (304) = 8  
STAINLESS STEEL (316) = 0  
ELECTRO-GALVANIZED = 2

Example: **W281, 2, 03** = ELECTRO-GALV 2

PART #	ROD SIZE	FOR PIPE SIZE	LBS./100pcs
W281103	3/8"	1/2" to 2"	73
W281104	1/2"	2-1/2" to 3-1/2"	144

PROJECT INFORMATION	APPROVAL STAMP
Project:	Notes:
Address:	
Contractor:	
Engineer:	
Date:	
Approved <input type="checkbox"/> Approved as Noted <input type="checkbox"/> Not Approved <input type="checkbox"/>	