

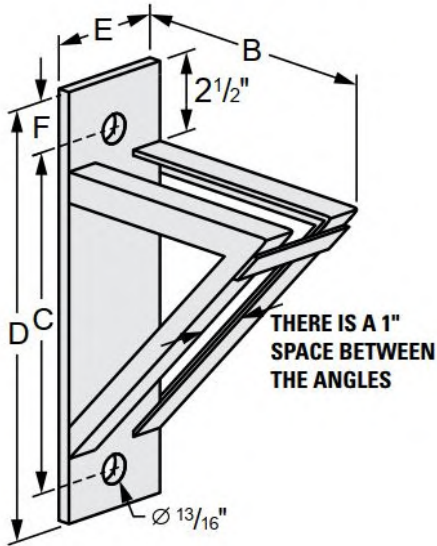


G-STRUT 4100 13<sup>th</sup> Street SW, Canton OH 44710

Phone: 866.997.8788 – Fax: 330.477.0626

[www.gregorystrut.com](http://www.gregorystrut.com)

## MEDIUM DUTY WALL BRACKET – SERIES W290



**Size Range:** 12", 18" or 24" bracket size.

**Material:** Low Carbon Steel.

**Finish:** Plain.

**Ordering:** Specify size; finish and series #.

**Approvals:** Complies with Federal Specifications A-A-1192A (Type 32) and Manufacturers' Standardization Society ANSI/SP-69 and SP-58 (Type 32).

**Function:** Design for the suspension of loads up to 1500lbs from walls or structures. The 1" space between the angles allows the rod to be placed anywhere along the length of the brackets.

**Available In:** Electro-Galvanized, 304 & 316 Stainless Steel.

PART #	SIZE (B)	SIZE (C)	SIZE (D)	SIZE (E)	SIZE (F)	ANGLE IRON SIZE	MAXIMUM RECOMMENDED LOAD(lbs.)	LBS./100pcs
W2901120	12"	15-1/2"	18"	4"	1-1/4"	1-1/2" x 1-1/2" x 3/16"	1500	1740
W2901180	18"	21-1/2"	24"	4-1/2"	1-1/4"	1-3/4" x 1-3/4" x 3/16"	1500	2730
W2901240	24"	27-1/2"	30"	5"	1-1/4"	2" x 2" x 1/4"	1500	4760

All above wall brackets are plain steel.  
 To order other finishes, change the 5th character in the Part # as seen below:  
 STAINLESS STEEL (304) = 8  
 STAINLESS STEEL (316) = 0  
 ELECTRO-GALVANIZED = 2  
 Example: **W290,2**120 = ELECTRO-GALV  
 2

PROJECT INFORMATION	APPROVAL STAMP
Project:	Notes:
Address:	
Contractor:	
Engineer:	
Date:	
Approved <input type="checkbox"/> Approved as Noted <input type="checkbox"/> Not Approved <input type="checkbox"/>	