

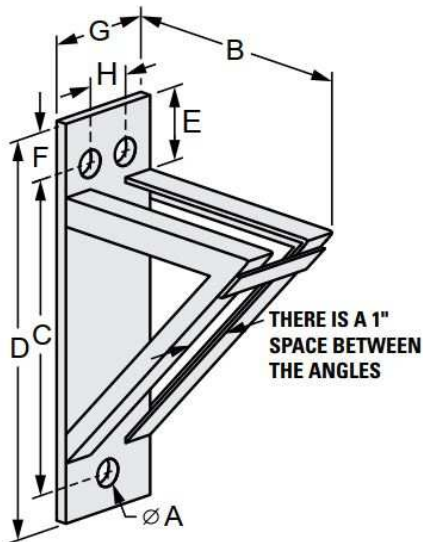


G-STRUT 4100 13th Street SW, Canton OH 44710

Phone: 866.997.8788 – Fax: 330.477.0626

www.gregorystrut.com

HEAVY DUTY WALL BRACKET – SERIES W291



Size Range: 12" thru 42" bracket size.

Material: Low Carbon Steel.

Finish: Plain.

Ordering: Specify size; finish and series #.

Approvals: Complies with Federal Specifications A-A-1192A (Type 33) and Manufacturers' Standardization Society ANSI/SP-69 and SP-58 (Type 33).

Function: Design for the support or suspension of loads up to 3000lbs from walls or structures. The 1" space between the angles allows the rod to be placed anywhere along the length of the brackets.

Available In: Electro-Galvanized, 304 & 316 Stainless Steel.

Notes: *One Hole

PART #	SIZE (A)	SIZE (B)	SIZE (C)	SIZE (D)	SIZE (E)	SIZE (F)	SIZE (G)	SIZE (H)	ANGLE IRON SIZE	MAXIMUM RECOMMENDED LOAD (lbs.)	LBS./100pcs
W2911120	13/16"	12"	15-1/4"	18"	2-3/4"	1-1/2"	4"	*	2" x 1-1/2" x 1/4"	3000	2433
W2911180	15/16"	18"	21-3/8"	24"	2-3/4"	1-3/8"	5"	2-3/4"	2" x 2" x 1/4"	3000	5180
W2911240	1-1/16"	24"	27-1/2"	30"	2-3/4"	1-1/4"	5"	2-1/2"	2-1/2" x 2" x 5/16"	3000	6584
W2911300	1-1/16"	30"	33-1/4"	36"	3"	1-1/2"	5"	2-1/2"	2-1/2" x 2" x 5/16"	3000	8210
W2911360	1-1/16"	36"	39"	42"	3"	1-1/2"	6"	3-1/2"	3-1/2" x 2-1/2" x 3/8"	3000	1405.2
W2911420	1-1/16"	42"	46"	50"	3-1/2"	2"	6"	3-1/2"	3-1/2" x 2-1/2" x 3/8"	3000	1664.0

All above wall brackets are plain steel.
 To order other finishes, change the 5th character in the Part # as seen below:
 STAINLESS STEEL (304) = 8
 STAINLESS STEEL (316) = 0
 ELECTRO-GALVANIZED = 2
 Example: **W291 2 120** = ELECTRO-GALV 2

PROJECT INFORMATION	APPROVAL STAMP
Project:	Notes:
Address:	
Contractor:	
Engineer:	
Date:	
Approved <input type="checkbox"/> Approved as Noted <input type="checkbox"/> Not Approved <input type="checkbox"/>	