

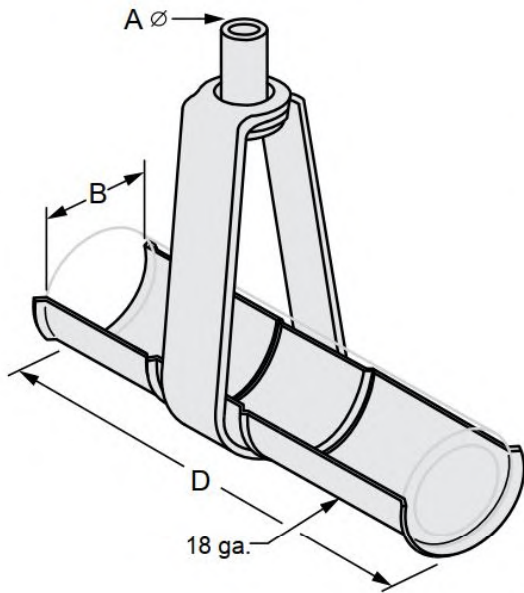


G-STRUT 4100 13<sup>th</sup> Street SW, Canton OH 44710

Phone: 866.997.8788 – Fax: 330.477.0626

[www.gregorystrut.com](http://www.gregorystrut.com)

## IRON PIPE SWIVEL RING HANGER w/ SECURED INSULATION SHIELD – SERIES W303



**Size Range:** 3/8" through 3/4" rod size.

**Material:** Low Carbon Steel.

**Finish:** Pre-Galvanized

**Ordering:** Specify rod size; inside shield diameter and series #.

**Function:** Design for suspension of insulated pipe lines. Series W303 is a combination of our Series W561 shield welded to a Series W305 hanger, which ensures that the shield will be installed in conjunction with the hanger. Series W303 allows vertical adjustments after installation and offers maximum protection from crushing of the insulation by the hanger.

**Available In:** :304 and 316 Stainless Steel

**Note:** All shields furnished with flared ends.

Above pipe swivel rings are pre-galvanized. To order other finishes, change the 5th character in the Part # as seen below:

STAINLESS STEEL (304) = 8

STAINLESS STEEL (316) = 0

Example: **W303, 4'23** = STAINLESS STEEL (304)  
**8**

PART #	INSIDE DIAMETER OF SHIELD (B)	ROD SIZE (A)	SHIELD LENGTH (D)	HANGER SIZE	LBS./ INCH
W303423	2-3/8"	3/8"	8"	2"	.55
W303425	2-5/8"	1/2"	8"	2-1/2"	.80
W303427	2-7/8"	1/2"	8"	2-1/2"	.84
W303434	3-1/2"	1/2"	8"	3"	.99
W303440	4"	1/2"	8"	3-1/2"	1.12
W303444	4-1/2"	5/8"	8"	4"	1.26
W303450	5"	5/8"	8"	5"	1.58
W303455	5-5/8"	5/8"	8"	5"	1.70
W303460	6"	3/4"	8"	6"	2.20
W303465	6-5/8"	3/4"	8"	6"	2.35
W303475	7-5/8"	3/4"	12"	8"	3.40
W303485	8-5/8"	3/4"	12"	8"	3.67

PROJECT INFORMATION	APPROVAL STAMP
Project:	Notes:
Address:	
Contractor:	
Engineer:	
Date:	
Approved <input type="checkbox"/> Approved as Noted <input type="checkbox"/> Not Approved <input type="checkbox"/>	