

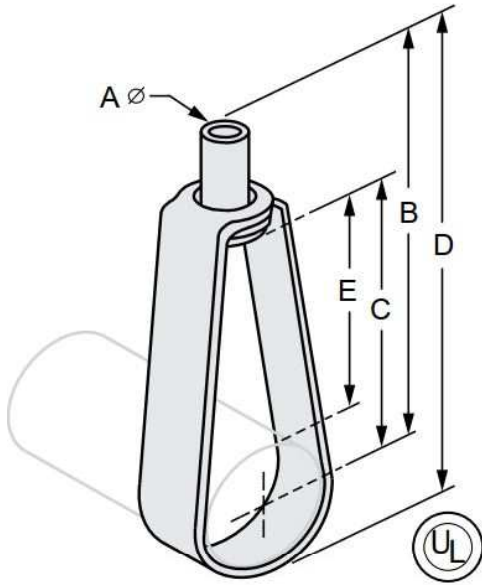


G-STRUT 4100 13th Street SW, Canton OH 44710

Phone: 866.997.8788 – Fax: 330.477.0626

www.gregorystrut.com

IRON PIPE SWIVEL RING – SERIES W305 - W307



- Size Range:** 2-1/2" through 8" pipe size.
- Material:** Pre-Galvanized Carbon Steel with a Zinc Electroplate insert nut.
- Finish:** Pre-Galvanized.
- Ordering:** Specify rod size; pipe size; finish and series #.
- Approvals:** UL Listing. Complies with Federal Specification A-A-1192A (Type 10), and Manufacturers' Standardization Society ANSI/SP-69 and SP-58 (Type 10).
- Function:** Design and recommended for suspension of non-insulated stationary pipe lines. The hanger may be installed prior to the erection of piping and also allows for vertical adjustment after installation.
- Note:** Can order this part with a washer up to 3/8" size (A). Cut off is 4" for the washer.
 Series W306 is with a clear washer
 Series W307 is with a blue washer

PART #	PIPE SIZE	SIZE (A)	SIZE (B)	SIZE (C)	SIZE (D)	SIZE (E)	MAXIMUM RECOMMENDED LOAD(lbs.)	CARTON QTY.	LBS./ 100pcs
W305424	2-1/2"	1/2"	3-7/8"	3-1/8"	5-3/8"	1-3/8"	600	50	24
W305430	3"	1/2"	4-1/2"	3-5/8"	6-1/4"	1-5/8"	600	50	28
W305434	3-1/2"	1/2"	4-7/8"	4"	6-7/8"	1-3/4"	600	50	32
W305440	4"	5/8"	5"	4-1/8"	7-1/4"	1-5/8"	1000	25	32
W305450	5"	5/8"	5-3/4"	4-1/4"	8-1/2"	1-7/8"	1000	20	62
W305460	6"	3/4"	6-3/4"	5-1/8"	10-1/8"	2-1/8"	1250	20	65
W305480	8"	3/4"	7-7/8"	7"	12-1/4"	2-3/8"	1250	10	100

All above pipe swivel rings are pre-galv. To order other finishes, change the 5th character in the Part # as seen below:
 PRE GALVANIZED WITH FELT LINING = 12
 Example: **W305,4¹²24** = PRE GALV W/ FELT
12

PROJECT INFORMATION	APPROVAL STAMP
Project:	Notes:
Address:	
Contractor:	
Engineer:	
Date:	
Approved <input type="checkbox"/> Approved as Noted <input type="checkbox"/> Not Approved <input type="checkbox"/>	