

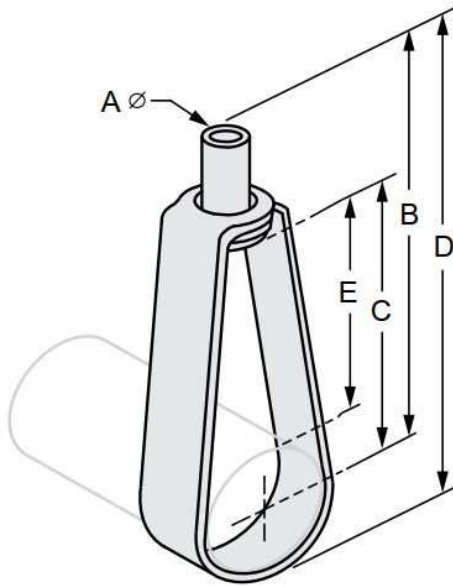


G-STRUT 4100 13th Street SW, Canton OH 44710

Phone: 866.997.8788 – Fax: 330.477.0626

www.gregorystrut.com

COPPER TUBING SWIVEL RING – SERIES W310



- Size Range:** 1/2" through 6" pipe size.
- Material:** Carbon Steel.
- Finish:** Copper Plated
- Ordering:** Specify rod size; pipe size; finish and series #.
- Approvals:** Complies with Federal Specification WW-H-171E (Type 10) and A-A-1192A (Type 10) and Manufacturers Standardization Society SP-69 (Type 10).
- Function:** Design and recommended for suspension of copper tubing stationary pipe lines allowing for vertical adjustment after installation.

PART #	PIPE SIZE	SIZE (A)	SIZE (B)	SIZE (C)	SIZE (D)	SIZE (E)	MAXIMUM RECOMMENDED LOAD(lbs.)	CARTON QTY.	LBS./ 100pcs
W310304	1/2"	3/8"	2-3/4"	1-1/2"	3"	1-5/8"	400	100	9
W310306	3/4"	3/8"	2-3/4"	1-1/2"	3"	1-3/8"	400	100	9
W310310	1"	3/8"	2-1/2"	1-3/4"	3-1/4"	1-3/8"	400	100	10
W310312	1-1/4"	3/8"	2-5/8"	1-7/8"	3-3/8"	1"	400	100	11
W310314	1-1/2"	3/8"	2-3/4"	2-1/8"	4-3/4"	1-1/8"	400	100	12
W310320	2"	3/8"	3-1/8"	2-1/4"	4-1/8"	1-1/8"	400	100	14
W310324	2-1/2"	3/8"	3-1/2"	2-1/2"	4-3/4"	1-3/8"	600	50	30
W310330	3"	3/8"	3-7/8"	3-1/8"	5-3/8"	1-3/8"	600	50	32
W310340	4"	3/8"	4-1/8"	4"	7"	1-1/8"	1000	25	44
W310350	5"	5/8"	5-5/8"	4-1/8"	8-1/8"	1-1/4"	1000	20	66
W310360	6"	5/8"	7-5/8"	5"	10-3/4"	1-3/4"	1250	20	116

PROJECT INFORMATION	APPROVAL STAMP
Project:	Notes:
Address:	
Contractor:	
Engineer:	
Date:	
Approved <input type="checkbox"/> Approved as Noted <input type="checkbox"/> Not Approved <input type="checkbox"/>	