



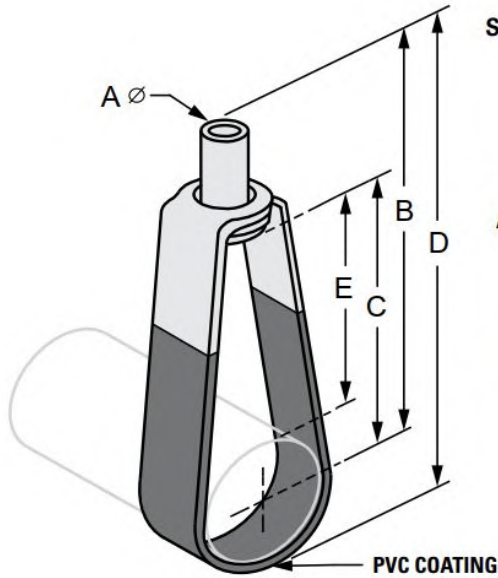
G-STRUT 4100 13th Street SW, Canton OH 44710

Phone: 866.997.8788 – Fax: 330.477.0626

www.gregorystrut.com

IRON PIPE SWIVEL RING – SERIES W320

-PVC COATED-



Size Range: 12" through 8" pipe size.

Material: Pre-Galvanized Carbon Steel with a Zinc Electroplate insert nut.

Finish: Pre-Galvanized

Ordering: Specify rod size; pipe size; finish and series #.

Approvals: Complies with Federal Specification WW-H-171E (Type 10) and A-A-1192A (Type 10) and Manufacturers Standardization Society SP-69 (Type 10) and NFPA standards for reduced rod sizes.

Function: Design and recommended for suspension of non-insulated stationary pipe lines. The hanger maybe installed prior to the erection of piping and also allows for vertical adjustment after installation.

PART #	PIPE SIZE	SIZE (A)	SIZE (B)	SIZE (C)	SIZE (D)	SIZE (E)	MAXIMUM RECOMMENDED LOAD(lbs.)	CARTON QTY.	LBS./100pcs
W320504	1/2"	3/8"	2-1/2"	1-1/2"	3"	1-1/8"	400	100	8
W320506	3/4"	3/8"	2-5/8"	1-3/4"	3-1/8"	1-1/8"	400	100	9
W320510	1"	3/8"	2-3/4"	1-7/8"	3-3/8"	1-1/8"	400	100	10
W320512	1-1/4"	3/8"	2-7/8"	2-1/8"	3-3/4"	1-1/8"	400	100	11
W320514	1-1/2"	3/8"	3"	2-1/4"	4"	1-1/8"	400	100	13
W320520	2"	3/8"	3-3/8"	2-1/2"	4-5/8"	1-1/8"	400	100	14
W320524	2-1/2"	1/2"	4"	3-1/8"	5-1/2"	1-3/8"	600	50	30
W320530	3"	1/2"	4-5/8"	3-5/8"	6-3/8"	1-5/8"	600	50	32
W320534	3-1/2"	1/2"	5"	4"	7"	1-3/4"	600	50	36
W320540	4"	5/8"	5-1/4"	4-1/8"	7-1/2"	1-5/8"	1000	25	44
W320550	5"	5/8"	6"	5"	8-3/4"	1-7/8"	1000	20	56
W320560	6"	3/4"	7"	6"	10-3/8"	2-1/8"	1250	20	116
W320580	8"	3/4"	8-1/4"	7-1/8"	12-5/8"	2-3/8"	1250	10	150

PROJECT INFORMATION	APPROVAL STAMP
Project:	Notes:
Address:	
Contractor:	
Engineer:	
Date:	
Approved <input type="checkbox"/> Approved as Noted <input type="checkbox"/> Not Approved <input type="checkbox"/>	