



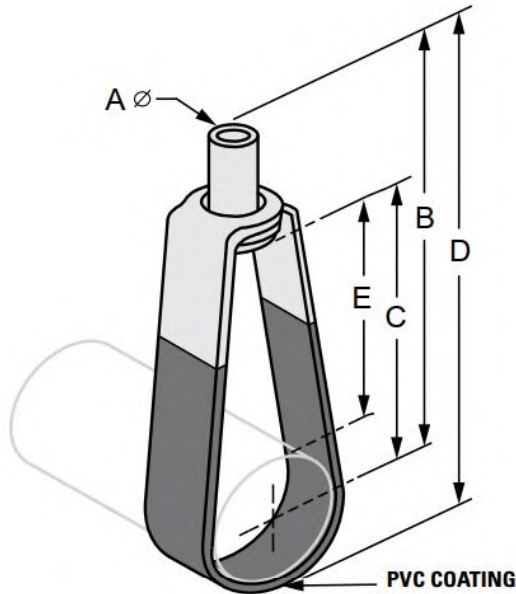
G-STRUT 4100 13th Street SW, Canton OH 44710

Phone: 866.997.8788 – Fax: 330.477.0626

www.gregorystrut.com

COPPER TUBING SWIVEL RING – SERIES W325

-PVC COATED-



Size Range: 12" through 6" pipe size.

Material: Carbon Steel.

Finish: Copper Plated.

Ordering: Specify rod size; pipe size; finish and series #.

Approvals: Complies with Federal Specification WW-H-171E (Type 10) and A-A-1192A (Type 10) and Manufacturers Standardization Society SP-69 (Type 10).

Function: Design and recommended for suspension of copper tubing stationary pipe lines allowing for vertical adjustment.

PART #	PIPE SIZE	SIZE (A)	SIZE (B)	SIZE (C)	SIZE (D)	SIZE (E)	MAXIMUM RECOMMENDED LOAD (lbs.)	CARTON QTY.	LBS./ 100pcs
W325504	1/2"	3/8"	2-3/4"	1-1/2"	3"	1-5/8"	400	100	9
W325506	3/4"	3/8"	2-3/4"	1-1/2"	3"	1-3/8"	400	100	9
W325510	1"	3/8"	2-1/2"	1-3/4"	3"	1-3/8"	400	100	10
W325512	1-1/4"	3/8"	2-5/8"	1-7/8"	3-1/4"	1"	400	100	11
W325514	1-1/2"	3/8"	2-3/4"	2-1/8"	3-3/4"	1-1/8"	400	100	12
W325520	2"	3/8"	3-1/8"	2-1/4"	4-1/8"	1-1/8"	400	100	14
W325524	2-1/2"	1/2"	3-1/2"	2-1/2"	4-3/4"	1-3/8"	600	50	30
W325530	3"	1/2"	3-7/8"	3-1/8"	5-3/8"	1-3/8"	600	50	32
W325540	4"	5/8"	4-1/8"	4"	6-1/4"	1-1/8"	1000	25	44
W325550	5"	5/8"	5-5/8"	4-1/8"	8-1/8"	1-1/4"	1000	20	66
W325560	6"	3/4"	7-5/8"	5"	10-3/4"	1-3/4"	1250	20	116

PROJECT INFORMATION	APPROVAL STAMP
Project:	Notes:
Address:	
Contractor:	
Engineer:	
Date:	
Approved <input type="checkbox"/> Approved as Noted <input type="checkbox"/> Not Approved <input type="checkbox"/>	