

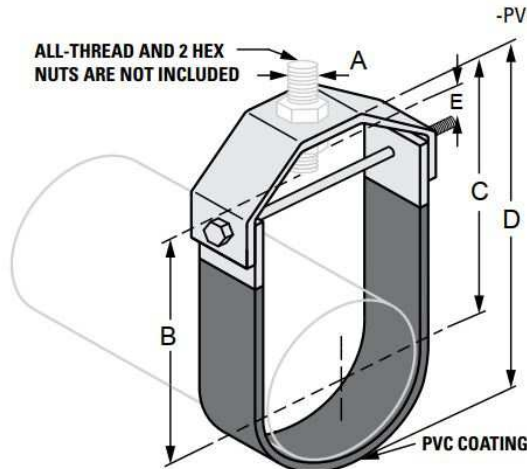


G-STRUT 4100 13th Street SW, Canton OH 44710

Phone: 866.997.8788 – Fax: 330.477.0626

www.gregorystrut.com

STANDARD CLEVIS HANGER – SERIES W400



- Size Range:** 1/2" through 36" pipe size.
- Material:** Carbon Steel.
- Finish:** Plain.
- Ordering:** Specify rod size; pipe size; finish and series #.
- Approvals:** Complies with Federal Specification and WW-H-171E (Type 1) and Manufacturers Standardization Society ANSI/MSS-58 (Type 1).
- Function:** Recommended for the suspension of non-insulated stationary pipe lines.
- Available In:** Electro-Galvanized, Hot Dipped Galvanized or 304 Stainless Steel.

All above clevis hangers are plain steel & PVC coated. To order other finishes, change the 5th character in the Part # as seen below:

STAINLESS STEEL (304) = 8
HOT DIP GALVANIZED = 9
ELECTRO-GALVANIZED = 2

Example: W400,804 = HOT DIP GALV
9

PART #	PIPE SIZE	SIZE (A)	SIZE (B)	SIZE (C)	SIZE (D)	SIZE (E)	MAXIMUM RECOMMENDED LOAD(lbs.)	CARTON QTY.	LBS./100pcs
W400504	1/2"	3/8"	1/2"	2-1/4"	3-1/8"	1-1/8"	400	100	37
W400506	3/4"	3/8"	5/8"	2-1/4"	3-1/8"	1-1/8"	400	100	38
W400510	1"	3/8"	3/4"	2-1/4"	3-1/8"	1-1/8"	400	100	39
W400512	1-1/4"	3/8"	2"	2-5/8"	3-1/2"	1-1/8"	400	100	40
W400514	1-1/2"	3/8"	2-1/16"	3"	3-3/4"	1-1/8"	400	100	44
W400520	2"	3/8"	2-5/16"	3-1/8"	4-1/4"	15/16"	400	100	52
W400524	2-1/2"	1/2"	2-3/8"	3-1/8"	4-5/8"	3/4"	800	50	108
W400530	3"	1/2"	2-7/8"	3-5/8"	5-1/2"	1"	800	50	120
W400534	3-1/2"	1/2"	3-3/8"	4-1/8"	6-1/4"	1-1/8"	800	50	128
W400540	4"	5/8"	3-5/8"	5-1/8"	7-3/8"	1-1/8"	800	25	184
W400550	5"	5/8"	4-1/4"	5-3/4"	8-5/8"	1-1/4"	800	20	205
W400560	6"	5/8"	5-1/4"	7-1/4"	10-1/2"	1-1/2"	1000	20	310
W400580	8"	5/8"	6-5/8"	8"	12-3/8"	2"	1200	10	440
W4005100	10"	5/8"	8-3/8"	9-7/8"	15-1/4"	2-1/4"	3600	BULK	860
W4005120	12"	5/8"	9-3/4"	11-3/4"	17-1/2"	2-5/8"	3800	BULK	1040
W4005140	14"	5/8"	10-9/16"	12-1/2"	19-1/2"	2-1/2"	4200	BULK	1480
W4005160	16"	5/8"	11-15/16"	14"	22"	2-3/4"	4600	BULK	2100
W4005180	18"	5/8"	13-7/8"	16"	25"	3-3/4"	4800	BULK	2440
W4005200	20"	5/8"	15-1/8"	17-1/2"	27-1/2"	3-3/4"	4800	BULK	4260
W4005240	24"	5/8"	17-3/8"	19-3/4"	31-3/4"	4"	4800	BULK	4840
W4005360	36"	5/8"	21-1/2"	24-1/8"	39-1/8"	4-3/4"	6000	BULK	6950

PROJECT INFORMATION	APPROVAL STAMP
Project:	Notes:
Address:	
Contractor:	
Engineer:	
Date:	
Approved <input type="checkbox"/> Approved as Noted <input type="checkbox"/> Not Approved <input type="checkbox"/>	