



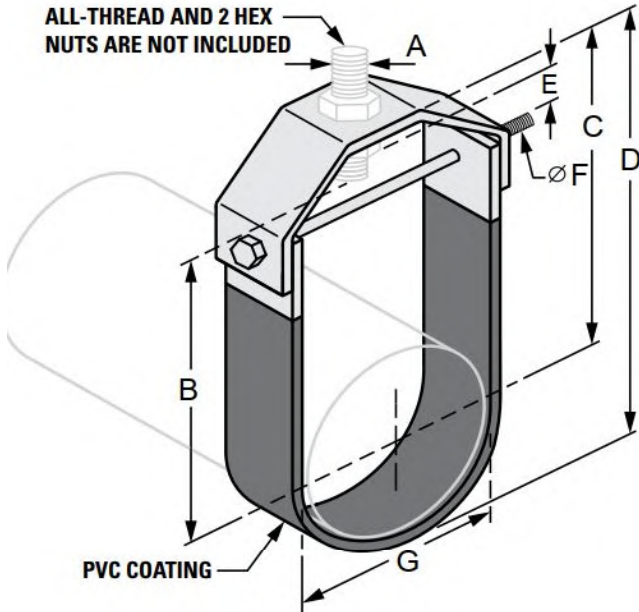
G-STRUT 4100 13th Street SW, Canton OH 44710

Phone: 866.997.8788 – Fax: 330.477.0626

www.gregorystrut.com

COPPER CLEVIS HANGER – SERIES W405

-PVC COATED-



- Size Range:** 1/2" through 4" pipe size.
- Material:** Carbon Steel.
- Finish:** Copper Plated.
- Ordering:** Specify rod size; pipe size; finish and series #.
- Function:** Recommended for the suspension of copper tubing stationary pipe lines allowing for vertical adjustment.

PART #	PIPE SIZE	SIZE (A)	SIZE (B)	SIZE (C)	SIZE (D)	SIZE (E)	SIZE (F)	SIZE (G)	MAXIMUM RECOMMENDED LOAD(lbs.)	CARTON QTY.	LBS./100pcs
W405504	1/2"	3/8"	1-1/2"	2-1/2"	2-7/8"	1-3/16"	1/4"	11/16"	150	100	22
W405506	3/4"	3/8"	1-5/8"	2-5/8"	3-1/8"	1-3/16"	1/4"	3/4"	150	100	20
W405510	1"	3/8"	1-3/4"	2-3/4"	3-1/8"	1-3/16"	1/4"	1-1/4"	250	100	20
W405512	1-1/4"	3/8"	1-7/8"	2-7/8"	3-1/2"	1-3/16"	1/4"	1-1/2"	250	100	22
W405514	1-1/2"	3/8"	2"	3"	3-3/4"	1-3/16"	1/4"	1-3/4"	250	100	18
W405520	2"	3/8"	1-3/8"	3-3/8"	4-1/4"	1-3/16"	1/4"	2-3/8"	250	100	24
W405524	2-1/2"	1/2"	3"	4"	4-5/8"	1-3/4"	1/4"	2-3/4"	350	50	28
W405530	3"	1/2"	3-5/8"	4-5/8"	5-1/2"	1-3/4"	3/8"	3-3/8"	350	BULK	70
W405534	3-1/2"	1/2"	4"	5"	6-1/4"	1-3/4"	3/8"	4"	350	BULK	84
W405540	4"	5/8"	4-1/4"	5-1/4"	7-3/8"	1-3/4"	3/8"	4-1/2"	400	BULK	90

PROJECT INFORMATION	APPROVAL STAMP
Project:	Notes:
Address:	
Contractor:	
Engineer:	
Date:	
Approved <input type="checkbox"/> Approved as Noted <input type="checkbox"/> Not Approved <input type="checkbox"/>	