

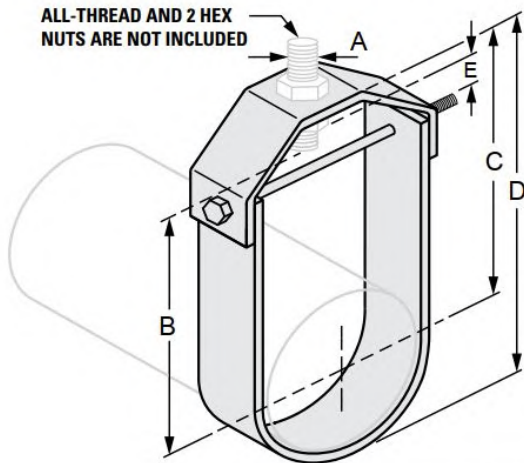


G-STRUT 4100 13th Street SW, Canton OH 44710

Phone: 866.997.8788 – Fax: 330.477.0626

www.gregorystrut.com

STANDARD DUTY CLEVIS HANGER – SERIES W410



- Size Range:** 1-1/4" through 36" pipe size.
- Material:** Carbon Steel.
- Finish:** Plain.
- Ordering:** Specify rod size; pipe size; finish and series #.
- Approvals:** FM Approved (1-1/4" through 8" only).
Complies with Federal Specification and WW-H-171E (Type 1) and Manufacturers Standardization Society ANSI/MSS-58 (Type 1)
- Function:** Recommended for the suspension of non-insulated stationary pipe lines.
- Available In:** Electro-Galvanized, Hot Dipped Galvanized, Plain with Felt Lining or Plain with PVC Coating.

All clevis hangers are plain steel
To order other finishes, change the 5th character in the Part # as seen below:

PLAIN W/ FELT LINING = 13
HOT DIP GALVANIZED = 9
ELECTRO-GALVANIZED = 2
PLAIN W/ PVC COATING = 5

Example: **W410 1 12** = HOT DIP GALV
9

PART #	PIPE SIZE	SIZE (A)	SIZE (B)	SIZE (C)	SIZE (D)	SIZE (E)	MAXIMUM RECOMMENDED LOAD(lbs.)	CARTON QTY.	LBS./ 100pcs
W410112	1-1/4"	3/8"	2"	2-5/8"	3-1/2"	1-1/8"	600	100	40
W410114	1-1/2"	3/8"	2-1/16"	3"	3-3/4"	1-1/8"	600	100	44
W410120	2"	3/8"	2-5/16"	3-1/8"	4-1/4"	15/16"	600	100	52
W410124	2-1/2"	1/2"	2-3/8"	3-1/8"	4-5/8"	3/4"	1100	50	108
W410130	3"	1/2"	2-7/8"	3-5/8"	5-1/2"	1"	1100	50	120
W410134	3-1/2"	1/2"	3-3/8"	4-1/8"	6-1/4"	1-1/8"	1100	50	128
W410140	4"	5/8"	3-5/8"	5-1/8"	7-3/8"	1-1/8"	1400	25	184
W410150	5"	5/8"	4-1/4"	5-3/4"	8-5/8"	1-1/4"	1400	25	205
W410160	6"	5/8"	5-1/4"	7-1/4"	10-1/2"	1-1/2"	2000	25	310
W410180	8"	5/8"	6-5/8"	8"	12-3/8"	2"	2000	25	440
W4101100	10"	5/8"	8-3/8"	9-7/8"	15-1/4"	2-1/4"	3600	BULK	860
W4101120	12"	5/8"	9-3/4"	11-3/4"	17-1/2"	2-5/8"	3800	BULK	1040
W4101140	14"	5/8"	10-9/16"	12-1/2"	19-1/2"	2-1/2"	4200	BULK	1480
W4101160	16"	5/8"	11-15/16"	14"	22"	2-3/4"	4600	BULK	2100
W4101180	18"	5/8"	13-7/8"	16"	25"	3-3/4"	4800	BULK	2440
W4101200	20"	5/8"	15-1/8"	17-1/2"	27-1/2"	3-3/4"	4800	BULK	4260
W4101240	24"	5/8"	17-3/8"	19-3/4"	31-3/4"	4"	4800	BULK	4840
W4101360	36"	5/8"	21-1/2"	24-1/8"	39-1/8"	4-3/4"	6000	BULK	6950

PROJECT INFORMATION	APPROVAL STAMP
Project:	Notes:
Address:	
Contractor:	
Engineer:	
Date:	
Approved <input type="checkbox"/> Approved as Noted <input type="checkbox"/> Not Approved <input type="checkbox"/>	