

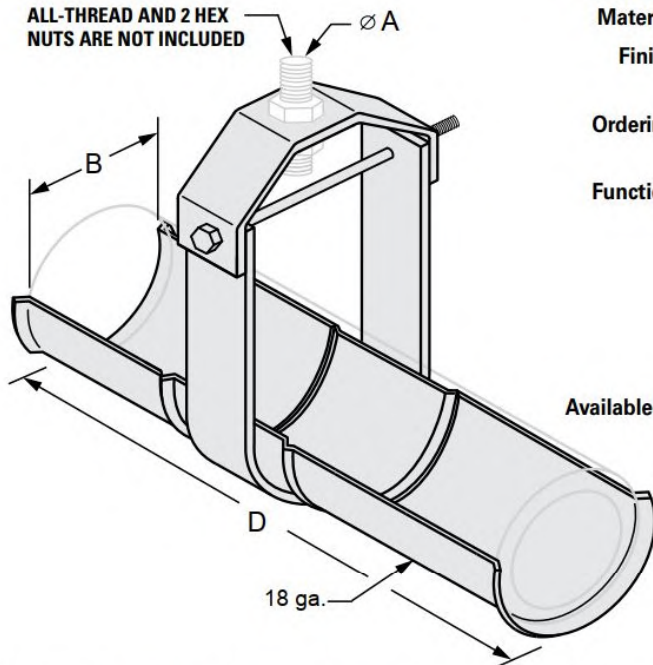


G-STRUT 4100 13th Street SW, Canton OH 44710

Phone: 866.997.8788 – Fax: 330.477.0626

www.gregorystrut.com

CLEVIS HANGER w/ SECURED INSULATION SHIELD – SERIES W412



Size Range: 3/8" through 1-1/4" rod size.

Material: Low Carbon Steel.

Finish: Plain low carbon steel clevis with pre-galvanized shield

Ordering: Specify rod size; inside shield diameter and series #.

Function: Design for suspension of stationary insulated pipe lines. Series W411 is a combination of our Series W561 shield welded to a Series W412 clevis hanger, which ensures that the shield will be installed in conjunction with the hanger. The shield is furnished with flared ends to prevent it from cutting into the insulation.

Available In: 304 and 316 Stainless Steel.

All clevis hangers are plain steel. To order other finishes, change the 5th character in the Part # as seen below:

STAINLESS STEEL (304) = 8

STAINLESS STEEL (316) = 0

Example: **W412 2 23** = STAINLESS STEEL (304)
8

PART #	INSIDE DIAMETER OF SHIELD (B)	ROD SIZE (A)	SHIELD LENGTH (D)	HANGER SIZE	LBS./ EACH
W412123	2-3/8"	3/8"	8"	2"	.59
W412125	2-5/8"	1/2"	8"	2-1/2"	1.50
W412127	2-7/8"	1/2"	8"	2-1/2"	1.54
W412134	3-1/2"	1/2"	8"	3"	1.64
W412140	4"	1/2"	8"	3-1/2"	1.95
W412144	4-1/2"	5/8"	8"	4"	2.38
W412150	5"	5/8"	8"	5"	2.98
W412155	5-5/8"	5/8"	8"	5"	3.10
W412160	6"	3/4"	8"	6"	3.77
W412165	6-5/8"	3/4"	8"	6"	3.92
W412175	7-5/8"	3/4"	12"	8"	6.33
W412185	8-5/8"	3/4"	12"	8"	6.66

PART #	INSIDE DIAMETER OF SHIELD (B)	ROD SIZE (A)	SHIELD LENGTH (D)	HANGER SIZE	LBS./ EACH
W412195	9-5/8"	7/8"	12"	10"	10.84
W4121106	10-3/4"	7/8"	12"	10"	11.17
W4121116	11-3/4"	7/8"	12"	12"	13.39
W4121126	12-3/4"	7/8"	12"	12"	13.65
W4121140	14"	1"	12"	14"	16.93
W4121150	15"	1"	12"	16"	25.08
W4121160	16"	1"	12"	16"	25.20
W4121170	17"	1-1/8"	12"	18"	29.55
W4121180	18"	1-1/8"	12"	18"	29.83
W4121190	19"	1-1/4"	12"	20"	47.81
W4121210	21"	1-1/4"	12"	24"	53.73

PROJECT INFORMATION	APPROVAL STAMP
Project:	Notes:
Address:	
Contractor:	
Engineer:	
Date:	
Approved <input type="checkbox"/> Approved as Noted <input type="checkbox"/> Not Approved <input type="checkbox"/>	