

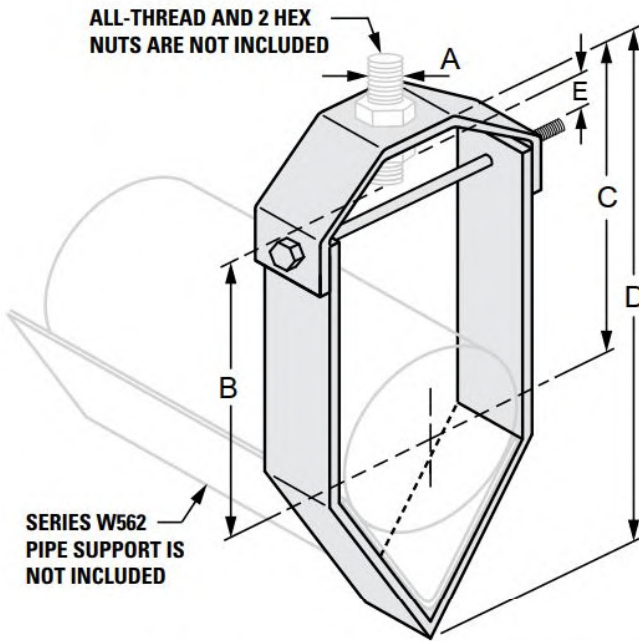


G-STRUT 4100 13th Street SW, Canton OH 44710

Phone: 866.997.8788 – Fax: 330.477.0626

www.gregorystrut.com

PLASTIC PIPE CLEVIS HANGER – SERIES W413



- Size Range:** 1/2" through 4" pipe size.
- Material:** Low Carbon Steel.
- Finish:** Plain.
- Ordering:** Specify rod size; pipe size; finish and series #.
- Function:** Designed for the suspension of flexible plastic pipe lines. Used in conjunction with Series W562.
- Available In:** Electro-Galvanized, 304 & 316 Stainless Steel.

All above clevis hangers are plain steel. To order other finishes, change the 5th character in the Part # as seen below:

ELECTRO-GALVANIZED = 2
 STAINLESS STEEL (304) = 8
 STAINLESS STEEL (316) = 0

Example: **W413, 2 04** = ELECTRO-GALV
 2

| PART # | PIPE SIZE | ROD SIZE (A) | SIZE(B) | SIZE (C) | SIZE (D) | SIZE (E) | CROSS BOLT | MAXIMUM RECOMMENDED LOAD(lbs.) | LBS./100pcs |
|---------|-----------|--------------|----------|----------|----------|----------|------------|--------------------------------|-------------|
| W413104 | 1/2" | 3/8" | 4-5/16" | 4-3/4" | 5-1/2" | 1-5/8" | 3/8" | 150 | 38 |
| W413106 | 3/4" | 3/8" | 4-1/8" | 4-9/16" | 5-1/2" | 1-5/8" | 3/8" | 150 | 38 |
| W413110 | 1" | 3/8" | 3-15/16" | 6-3/8" | 5-1/2" | 1-5/8" | 3/8" | 150 | 38 |
| W413112 | 1-1/4" | 3/8" | 3-11/16" | 4-1/8" | 5-1/2" | 1-5/8" | 3/8" | 150 | 38 |
| W413114 | 1-1/2" | 3/8" | 3-9/16" | 4" | 5-1/2" | 1-5/8" | 3/8" | 150 | 38 |
| W413120 | 2" | 3/8" | 3-1/4" | 3-11/16" | 5-1/2" | 1-5/8" | 3/8" | 150 | 38 |
| W413124 | 2-1/2" | 5/8" | 5-13/16" | 6-5/8" | 8-3/4" | 1-3/4" | 5/8" | 150 | 115 |
| W413130 | 3" | 5/8" | 5-3/8" | 6-3/16" | 8-3/4" | 1-3/4" | 5/8" | 150 | 115 |
| W413134 | 3-1/2" | 5/8" | 5" | 5-13/16" | 8-3/4" | 1-3/4" | 5/8" | 150 | 115 |
| W413140 | 4" | 5/8" | 4-5/8" | 5-7/16" | 8-3/4" | 1-3/4" | 5/8" | 150 | 115 |

| PROJECT INFORMATION | APPROVAL STAMP |
|--|----------------|
| Project: | Notes: |
| Address: | |
| Contractor: | |
| Engineer: | |
| Date: | |
| Approved <input type="checkbox"/> Approved as Noted <input type="checkbox"/> Not Approved <input type="checkbox"/> | |