



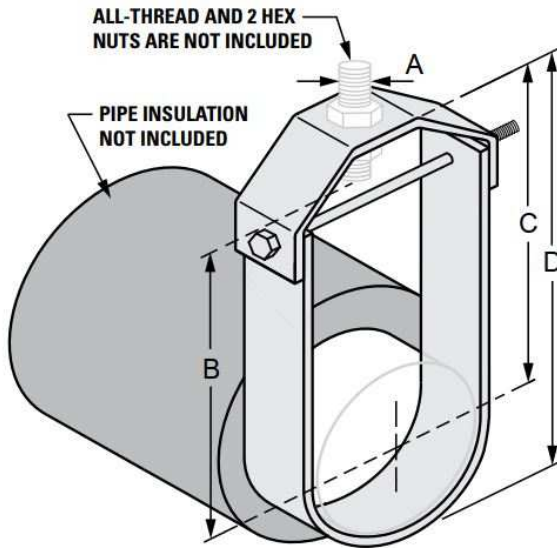
G-STRUT 4100 13th Street SW, Canton OH 44710

Phone: 866.997.8788 – Fax: 330.477.0626

www.gregorystrut.com

STANDARD CLEVIS HANGER – SERIES W415

-EXTENDED BOTTOM-



- Size Range:** 3/4" through 12" pipe size.
- Material:** Carbon Steel.
- Finish:** Plain.
- Ordering:** Specify pipe size; finish and series #.
- Function:** Recommended for the suspension of insulated stationary pipe lines allowing for vertical adjustment.
- Available In:** 304 & 316 Stainless Steel

All clevis hangers are plain steel. To order other finishes, change the 5th character in the Part # as seen below:

STAINLESS STEEL (304) = 8
STAINLESS STEEL (316) = 0

Example: **W415 1 06** = STAINLESS STEEL
8

PART #	PIPE SIZE	SIZE (A)	SIZE (B)	SIZE (C)	SIZE (D)	MAXIMUM RECOMMENDED LOAD(lbs.)	CARTON QTY.	LBS./100pcs
3/4" - 1-1/2" PIPE SIZE DESIGNED FOR 2" INSULATION								
W415106	3/4"	3/8"	2-7/8"	3-5/8"	4-1/4"	610	50	50
W415110	1"	3/8"	3-1/4"	4"	4-5/8"	610	25	57
W415112	1-1/4"	3/8"	3-5/8"	4-1/2"	5-1/4"	610	25	63
W415114	1-1/2"	3/8"	4"	4-3/4"	5-3/4"	610	25	71
2" - 12" PIPE SIZE DESIGNED FOR 2" INSULATION								
W415120	2"	3/8"	6-1/2"	7-1/2"	8-5/8"	610	25	84
W415124	2-1/2"	1/2"	7-1/2"	8-1/2"	10"	1130	25	189
W415130	3"	1/2"	7-1/2"	8-5/8"	10-1/4"	1130	25	199
W415140	4"	5/8"	8-1/8"	9-3/8"	11-5/8"	1430	25	245
W415150	5"	5/8"	8-3/4"	9-7/8"	12-5/8"	1430	15	298
W415160	6"	3/4"	9-3/8"	10-5/8"	14"	1940	10	336
W415180	8"	7/8"	11"	12-3/8"	16-3/4"	2000	10	670
W4151100	10"	7/8"	12-1/4"	13-3/4"	19-1/8"	3600	3	1100
W4151120	12"	7/8"	13-5/8"	15-1/8"	21-1/2"	3800	2	1380

PROJECT INFORMATION	APPROVAL STAMP
Project:	Notes:
Address:	
Contractor:	
Engineer:	
Date:	
Approved <input type="checkbox"/> Approved as Noted <input type="checkbox"/> Not Approved <input type="checkbox"/>	