

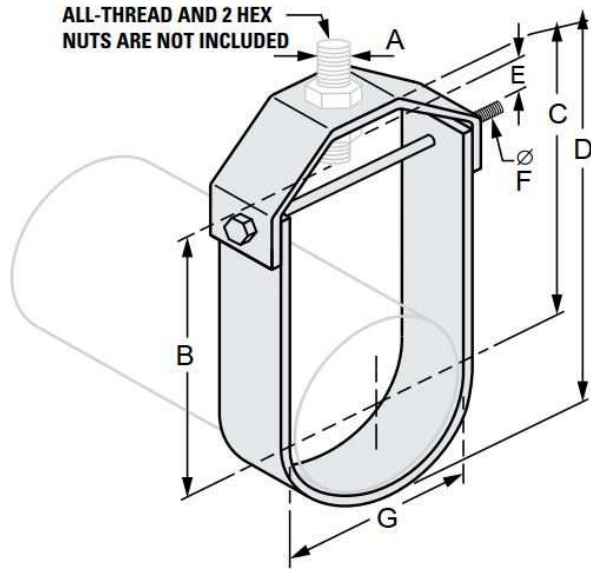


G-STRUT 4100 13th Street SW, Canton OH 44710

Phone: 866.997.8788 – Fax: 330.477.0626

www.gregorystrut.com

LIGHT DUTY CLEVIS HANGER – SERIES W420



- Size Range:** 1/2" through 4" pipe size.
- Material:** Carbon Steel.
- Finish:** Plain.
- Ordering:** Specify rod size; pipe size; finish and series #.
- Approvals:** FM Approved (3/4" through 8" only). Complies with Federal Specification WW-H-171E (Type 1) and Manufacturers Standardization Society ANSI/MSS-58 (Type 1).
- Function:** Recommended for the suspension of non-insulated stationary pipe lines.
- Available In:** Electro-Galvanized, Hot Dipped Galvanized or Plain with Felt Lining.

PART #	PIPE SIZE	SIZE (A)	SIZE (B)	SIZE (C)	SIZE (D)	SIZE (E)	SIZE (F)	SIZE (G)	MAXIMUM RECOMMENDED LOAD(lbs.)	CARTON QTY.	LBS./100pcs
W420104	1/2"	3/8"	1-1/2"	2-1/2"	3-1/2"	1-3/16"	1/4"	3/4"	600	100	9
W420106	3/4"	3/8"	1-5/8"	2-5/8"	3-1/2"	1-3/16"	1/4"	1-1/4"	600	100	9
W420110	1"	3/8"	1-3/4"	2-3/4"	3-1/2"	1-3/16"	1/4"	1-1/2"	600	100	10
W420112	1-1/4"	3/8"	1-7/8"	2-7/8"	3-5/8"	1-3/16"	1/4"	1-3/4"	600	100	11
W420114	1-1/2"	3/8"	2"	3"	4"	1-3/16"	1/4"	2"	600	100	12
W420120	2"	3/8"	2-3/8"	3-3/8"	4-3/4"	15/16"	1/4"	2-1/2"	600	100	14
W420124	2-1/2"	1/2"	3"	4"	5-1/2"	3/4"	3/8"	3-1/4"	1100	50	30
W420130	3"	1/2"	3-5/8"	4-5/8"	6"	1"	3/8"	3-3/4"	1100	50	32
W420134	3-1/2"	1/2"	4"	5"	6-3/4"	1-1/16"	3/8"	4-1/8"	1100	25	36
W420140	4"	5/8"	4-1/4"	5-1/4"	7-1/2"	1-3/16"	3/8"	4-7/8"	1400	25	44

All above clevis hangers are plain steel. To order other finishes, change the 5th character in the Part # as seen below:
 ELECTRO-GALVANIZED = 2
 HOT DIP GALVANIZED = 9
 PLAIN W/ FELT LINING = 13
 Example: **W420 2 04** = ELECTRO-GALV
 2

PROJECT INFORMATION	APPROVAL STAMP
Project:	Notes:
Address:	
Contractor:	
Engineer:	
Date:	
Approved <input type="checkbox"/> Approved as Noted <input type="checkbox"/> Not Approved <input type="checkbox"/>	