

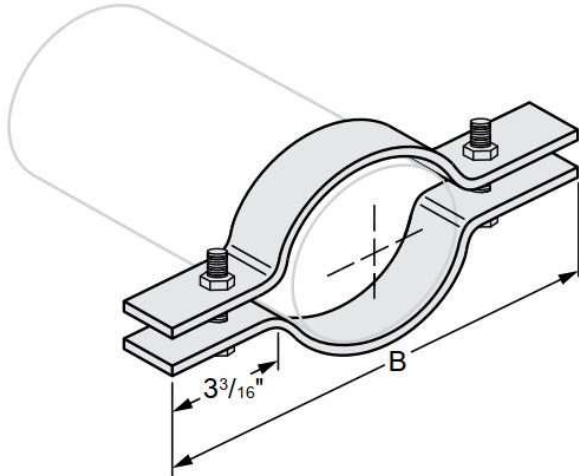


G-STRUT 4100 13th Street SW, Canton OH 44710

Phone: 866.997.8788 – Fax: 330.477.0626

www.gregorystrut.com

IRON PIPE RISER CLAMP – SERIES W500



Size Range: 1/2" through 12" pipe size.

Material: Carbon Steel.

Finish: Plain.

Ordering: Specify rod size; pipe size; finish and series #.

Approvals: Complies with Federal Specification WW-H-171E (Type 8), also A-A-1192 (Type 8) and Manufacturers Standardization Society MSS-SP-69 (Type 8).

Function: Recommended for supporting and stabilizing vertical pipe runs.

Available In: Electro-Galvanized, Hot Dipped Galvanized, Plain with PVC Coating, 304 & 316 Stainless Steel.

All riser pipe clamps are plain steel. To order other finishes, change the 5th character in the Part # as seen below:

STAINLESS STEEL (304) = 8
 STAINLESS STEEL (316) = 0
 PLAIN WITH PVC COATING = 5
 HOT DIP GALVANIZED = 9
 ELECTRO-GALVANIZED = 2

Example: **W500104** = HOT DIP GALV
9

PART #	PIPE SIZE	SIZE (B)	MAXIMUM RECOMMENDED LOAD(lbs.)	CARTON QTY.	LBS./100pcs
W500104	1/2"	9-1/2"	255	25	121
W500106	3/4"	9-1/2"	255	25	130
W500110	1"	9-3/4"	255	25	134
W500112	1-1/4"	10-1/4"	255	25	142
W500114	1-1/2"	10-3/4"	255	25	150
W500120	2"	11-1/2"	255	25	160
W500124	2-1/2"	12"	390	25	190
W500130	3"	13"	530	20	245
W500134	3-1/2"	14-1/2"	670	BULK	260
W500140	4"	15"	810	BULK	310
W500150	5"	16-3/4"	1160	BULK	350
W500160	6"	18-1/2"	1570	BULK	380
W500180	8"	22-1/4"	2500	BULK	726
W5001100	10"	22"	2500	BULK	1140
W5001200	12"	22-1/2"	2700	BULK	1610

PROJECT INFORMATION	APPROVAL STAMP
Project:	Notes:
Address:	
Contractor:	
Engineer:	
Date:	
Approved <input type="checkbox"/> Approved as Noted <input type="checkbox"/> Not Approved <input type="checkbox"/>	