

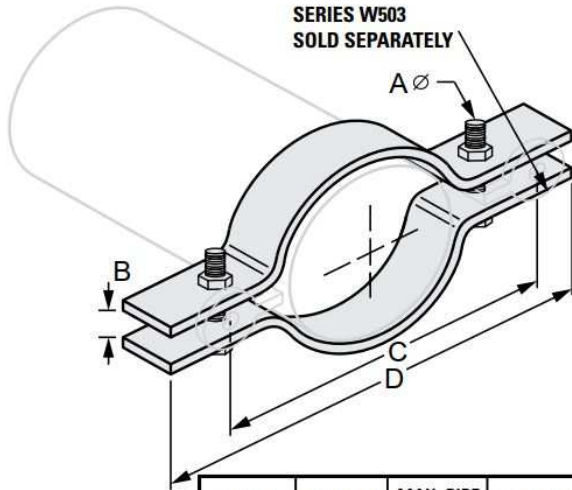


G-STRUT 4100 13th Street SW, Canton OH 44710

Phone: 866.997.8788 – Fax: 330.477.0626

www.gregorystrut.com

TWO BOLT UNDERGROUND PIPE CLAMP – SERIES W501



- Size Range:** 3" through 36" pipe size.
- Material:** Low Carbon Steel.
- Finish:** Plain.
- Ordering:** Specify pipe size; finish and series #, order Series W503 washer separately.
- Function:** Designed for clamping the caulked joints of underground A.W.W.A. ductile iron water pipes to prevent separation of joints.
- Available In:** Electro-Galvanized.
- Note:** Clamps must be connected by means of threaded tie rods and the nuts drawn tight on the washers to assure a tight joint.

PART #	PIPE SIZE	MAX. PIPE O.D.	Ø SIZE (A)	SIZE (B)	SIZE (C)	SIZE (D)	RECOMMENDED TIE ROD SIZE	LBS./100pcs
W501130	3"	3.96	5/8 x 3	1-1/4"	9"	11-3/4"	3/4"	618
W501140	4"	4.80	5/8 x 3	1-1/4"	10-1/4"	13"	3/4"	880
W501160	6"	6.90	5/8 x 3	1-1/4"	12"	14-7/8"	3/4"	1050
W501180	8"	9.05	5/8 x 3	1-1/4"	14-1/2"	17-1/4"	3/4"	1234
W5011100	10"	11.10	5/8 x 3	1-1/4"	16-3/4"	19-1/2"	3/4"	1480
W5011120	12"	13.20	5/8 x 3-1/2	1-1/4"	19"	21-3/4"	3/4"	1603
W5011140	14"	15.30	7/8 x 4	1-3/8"	23-3/8"	27-7/8"	1"	4437
W5011160	16"	17.40	1 x 4-1/2	1-1/2"	25-1/2"	29-1/8"	1-1/8"	6474
W5011180	18"	19.50	1-1/4 x 4-1/2	1-1/2"	28"	32-1/4"	1-1/4"	7369
W5011200	20"	21.60	1-1/4 x 4-1/2	1-5/8"	29-3/4"	33-1/4"	1-3/8"	8600
W5011240	24"	25.80	1-1/2 x 5	1-3/4"	34"	37-3/4"	1-1/2"	11300
W5011300	30"	32.00	1-1/2 x 5-1/2	2"	41-3/8"	45-1/8"	1-3/4"	13678
W5011360	36"	38.30	1-1/2 x 5-1/2	2-1/2"	46-1/2"	50-3/4"	1-3/4"	15550

All above pipe clamps are plain steel.
 To order other finishes, change the 5th character in the Part # as seen below:
 ELECTRO-GALVANIZED = 2
 Example: **W501130** = ELECTRO-GALV
2

PROJECT INFORMATION	APPROVAL STAMP
Project:	Notes:
Address:	
Contractor:	
Engineer:	
Date:	
Approved <input type="checkbox"/> Approved as Noted <input type="checkbox"/> Not Approved <input type="checkbox"/>	