

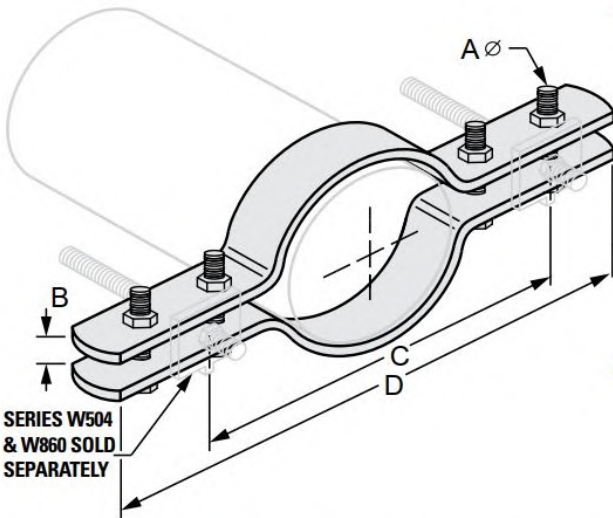


G-STRUT 4100 13<sup>th</sup> Street SW, Canton OH 44710

Phone: 866.997.8788 – Fax: 330.477.0626

[www.gregorystrut.com](http://www.gregorystrut.com)

## FOUR BOLT UNDERGROUND PIPE – SERIES W502



SERIES W504  
& W860 SOLD  
SEPARATELY

- Size Range:** 3" through 24" pipe size.
- Material:** Low Carbon Steel.
- Finish:** Plain.
- Ordering:** Specify pipe size; finish and series #, order Series W504 washer separately.
- Approval:** Complies with National Fire Protection Association Standards 24 for 4"-12" pipe.
- Function:** Designed for clamping the caulked joints of underground A.W.W.A. ductile iron water pipes lines to prevent separation of joints.
- Available In:** Electro-Galvanized, 304 & 316 Stainless Steel.
- Note:** Clamps must be connected by means of threaded tie rods and the nuts drawn tight on the washers to assure a tight joint.

PART #	PIPE SIZE	MAX. PIPE O.D.	BOLT Ø SIZE (A)	SIZE (B)	SIZE (C)	SIZE (D)	RECOMMENDED TIE ROD SIZE	MAX. TEST PRESSURE (PSI)	FORCE ON CLAMP (LBS)	LBS./100pcs
W502130	3"	3.96	5/8 x 3	1-1/4"	9-3/8"	13-3/8"	3/4"	250	4550	860
W502140	4"	4.80	5/8 x 3	1-1/4"	10-1/8"	14-1/2"	3/4"	250	4550	938
W502160	6"	6.90	5/8 x 3	1-1/4"	12-5/8"	17"	3/4"	250	9340	1150
W502180	8"	9.05	5/8 x 3-1/2	1-1/4"	15-3/8"	19-3/4"	3/4"	250	16080	2054
W5021100	10"	11.10	3/4 x 3-1/2	1-1/4"	17-1/8"	22"	3/4"	250	24180	2315
W5021120	12"	13.20	7/8 x 3-1/2	1-1/4"	20-1/2"	25-5/8"	1"	250	34230	3585
W5021140	14"	15.30	7/8 x 4	1-3/4"	23-1/8"	27-73/4"	1"	120	22200	4678
W5021160	16"	17.40	1 x 4	1-3/4"	25-7/8"	31-7/8"	1-1/8"	115	27760	7053
W5021180	18"	19.50	1-1/4 x 4-1/2	1-3/4"	29"	35-5/8"	1-1/4"	100	23900	7465
W5021200	20"	21.60	1-1/4 x 4-1/2	1-3/4"	31-1/8"	38-1/8"	1-3/8"	75	27500	9865
W5021240	24"	25.80	1-1/2 x 5	1-3/4"	36-1/2"	44-1/2"	1-1/2"	50	26200	13550

All above saddle supports are plain steel. To order other finishes, change the 5th character in the Part # as seen below:  
 STAINLESS STEEL (304) = 8  
 STAINLESS STEEL (316) = 0  
 ELECTRO-GALVANIZED = 2  
 Example: **W250 2 40** = ELECTRO-GALV  
**2**

PROJECT INFORMATION	APPROVAL STAMP
Project:	Notes:
Address:	
Contractor:	
Engineer:	
Date:	
Approved <input type="checkbox"/> Approved as Noted <input type="checkbox"/> Not Approved <input type="checkbox"/>	