

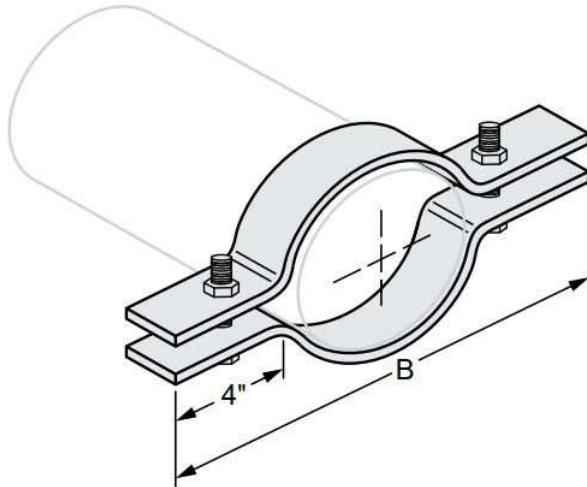


G-STRUT 4100 13th Street SW, Canton OH 44710

Phone: 866.997.8788 – Fax: 330.477.0626

www.gregorystrut.com

COPPER TUBING RISER CLAMP – SERIES W505



Size Range: 1/2" through 4" pipe size.

Material: Carbon Steel.

Finish: Copper Plated.

Ordering: Specify rod size; pipe size; finish and series #.

Approvals: Complies with Federal Specification A-A-1192 (Type 8), and Manufacturers Standardization Society MSS-SP-69 (Type 8).

Function: Recommended for supporting and stabilizing vertical tubing runs.

Available In: Copper with PVC Coating.

PART #	PIPE SIZE	SIZE (B)	MAXIMUM RECOMMENDED LOAD(lbs.)	CARTON QTY.	LBS./100pcs
W505304	1/2"	9-1/2"	250	25	69
W505306	3/4"	9-1/2"	250	25	72
W505310	1"	9-1/2"	250	25	72
W505312	1-1/4"	9-3/4"	500	25	76
W505314	1-1/2"	10-1/4"	500	25	80
W505320	2"	11-3/4"	500	25	95
W505324	2-1/2"	11-1/2"	500	25	135
W505330	3"	12-1/2"	500	25	170
W505334	3-1/2"	13-1/2"	600	BULK	171
W505340	4"	14-1/2"	600	BULK	180

All above tubing riser clamps are copper plated. To order other finishes, change the 5th character in the Part # as seen below:

COPPER WITH PVC COATING = 10

Example: ~~W505304~~ = COPPER W/PVC
10

PROJECT INFORMATION	APPROVAL STAMP
Project:	Notes:
Address:	
Contractor:	
Engineer:	
Date:	
Approved <input type="checkbox"/> Approved as Noted <input type="checkbox"/> Not Approved <input type="checkbox"/>	