

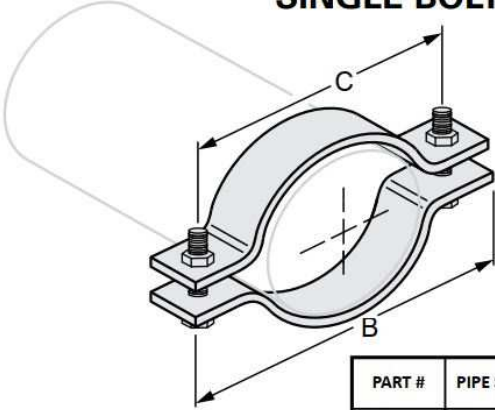


G-STRUT 4100 13th Street SW, Canton OH 44710

Phone: 866.997.8788 – Fax: 330.477.0626

www.gregorystrut.com

SINGLE BOLT PIPE CLAMP – SERIES W510



- Size Range:** 1/2" through 30" pipe size.
- Material:** Carbon Steel.
- Finish:** Plain.
- Ordering:** Specify pipe size; finish and series #.
- Function:** Recommended for the support and stabilizing of vertical pipe runs. Overall length is less than a riser clamp.
- Available In:** Electro-Galvanized, 304 & 316 Stainless Steel.

All pipe clamps are plain steel.
 To order other finishes, change the 5th character in the Part # as seen below:
 STAINLESS STEEL (304) = 8
 STAINLESS STEEL (316) = 0
 ELECTRO-GALVANIZED = 2
 Example: **W510 1 04** = ELECTRO-GALV
2

PART #	PIPE SIZE	BOLT SIZE	SIZE (B)	SIZE (C)	MATERIAL	MAXIMUM REC. LOAD(lbs.)		CARTON QTY.	LBS./100pcs
						650 F	750 F		
W510104	1/2"	3/8"	3-1/8"	2-1/8"	11 ga. x 1"	500	445	25	31
W510106	3/4"	3/8"	3-1/2"	2-1/2"	11 ga. x 1"	500	445	25	35
W510110	1"	3/8"	3-3/4"	2-3/4"	11 ga. x 1"	500	445	25	39
W510112	1-1/4"	3/8"	4-1/4"	3-1/4"	11 ga. x 1"	500	445	25	40
W510114	1-1/2"	3/8"	4-1/2"	3-1/2"	11 ga. x 1"	800	715	25	45
W510120	2"	1/2"	5-1/4"	4-1/4"	3 ga. x 1"	1040	930	25	123
W510124	2-1/2"	1/2"	6-1/4"	5-1/4"	3 ga. x 1"	1040	930	20	133
W510130	3"	1/2"	7"	6"	3 ga. x 1"	1040	930	10	153
W510134	3-1/2"	1/2"	7-3/8"	6-3/8"	3 ga. x 1"	1040	930	10	168
W510140	4"	5/8"	8-1/8"	6-7/8"	3 ga. x 1-1/4"	1040	930	BULK	186
W510150	5"	5/8"	9-7/8"	8-5/8"	3ga. x 1-1/4"	1040	930	BULK	213
W510160	6"	3/4"	11-1/2"	9-3/4"	3/8" x 1-1/2"	1615	1440	BULK	506
W510180	8"	3/4"	14"	12"	3/8" x 1-1/2"	1615	1440	BULK	608
W5101100	10"	7/8"	17-1/8"	15-1/8"	1/2" x 2"	2490	2220	BULK	1281
W5101120	12"	7/8"	19-3/4"	17-3/4"	1/2" x 2"	2490	2220	BULK	1308
W5101140	14"	7/8"	22-5/8"	19-1/4"	1/2" x 2"	2490	2220	BULK	1670
W5101160	16"	7/8"	25-1/4"	19-7/8"	1/2" x 2-1/2"	2490	2220	BULK	2319
W5101180	18"	1"	25-3/4"	21-3/4"	5/8" x 2-1/2"	3060	2730	BULK	3312
W5101200	20"	1-1/8"	28-5/8"	25-1/8"	5/8" x 2-1/2"	3060	2730	BULK	3866
W5101240	24"	1-1/4"	34-1/2"	31"	5/8" x 3"	3060	2730	BULK	5227
W5101300	30"	1-1/2"	41-3/4"	37-1/4"	3/4" x 4"	4000	3520	BULK	10513

PROJECT INFORMATION	APPROVAL STAMP
Project:	Notes:
Address:	
Contractor:	
Engineer:	
Date:	
Approved <input type="checkbox"/> Approved as Noted <input type="checkbox"/> Not Approved <input type="checkbox"/>	